



US00D532993S

(12) **United States Design Patent** (10) **Patent No.:** **US D532,993 S**
Calabria et al. (45) **Date of Patent:** **** Dec. 5, 2006**

(54) **BIN**
(75) Inventors: **Melanie Calabria**, Columbia, MD (US); **Joseph Edward Jasinski**, Raleigh, NC (US); **Kevin Owen Roughton**, Saco, ME (US); **Jeannette Anne Gatlin**, Raleigh, NC (US); **Rebecca Blount Pezdek**, Cary, NC (US); **Xiao Gang Guo**, Greensburg, PA (US)

(73) Assignee: **Newell Operating Company**, Atlanta, GA (US)

(**) Term: **14 Years**

(21) Appl. No.: **29/229,605**

(22) Filed: **May 9, 2005**

(51) **LOC (8) Cl.** **06-07**

(52) **U.S. Cl.** **D6/462**

(58) **Field of Classification Search** D6/462, D6/458, 449, 455, 461, 523; 211/24, 41.1, 211/41.7, 41.4, 42, 53, 56, 58, 70, 85, 95, 211/85.31, 90.03, 112, 115, 126.8, 129.1, 211/131.1, 134, 133.1, 144, 133.2, 153, 181.1; 248/153, 175

See application file for complete search history.

(56) **References Cited**

U.S. PATENT DOCUMENTS

2,643,167	A	6/1953	Wade	
2,822,229	A	2/1958	Carlson	
2,919,966	A	1/1960	Preston	
3,114,459	A	* 12/1963	Kersting	211/40
D264,761	S	* 6/1982	Dekarski	D3/306
4,569,447	A	* 2/1986	Cifranic	211/42

4,893,885	A	1/1990	Borello	
D326,946	S	* 6/1992	Szuster	D3/306
D360,559	S	* 7/1995	Grubb et al.	D7/619.1
5,586,816	A	12/1996	Geiss, II	
D416,169	S	* 11/1999	Sarnoff et al.	D7/388
6,520,354	B1	* 2/2003	Skvorecz	211/181.1
6,595,475	B1	* 7/2003	Svabek et al.	248/150
6,702,411	B1	3/2004	Helver	
2003/0034318	A1	* 2/2003	Skvorecz	211/181.1
2004/0066121	A1	4/2004	Steadman	
2005/0006994	A1	1/2005	Rapier, III	
2005/0023230	A1	* 2/2005	Lin	211/40

OTHER PUBLICATIONS

Hide-A-Shelf catalog sheet.
Rev-A-Shelf catalog sheet.

* cited by examiner

Primary Examiner—Janice E. Seeger
Assistant Examiner—Sydney R. Buffalow

(74) *Attorney, Agent, or Firm*—Wallenstein & Wagner, Ltd.

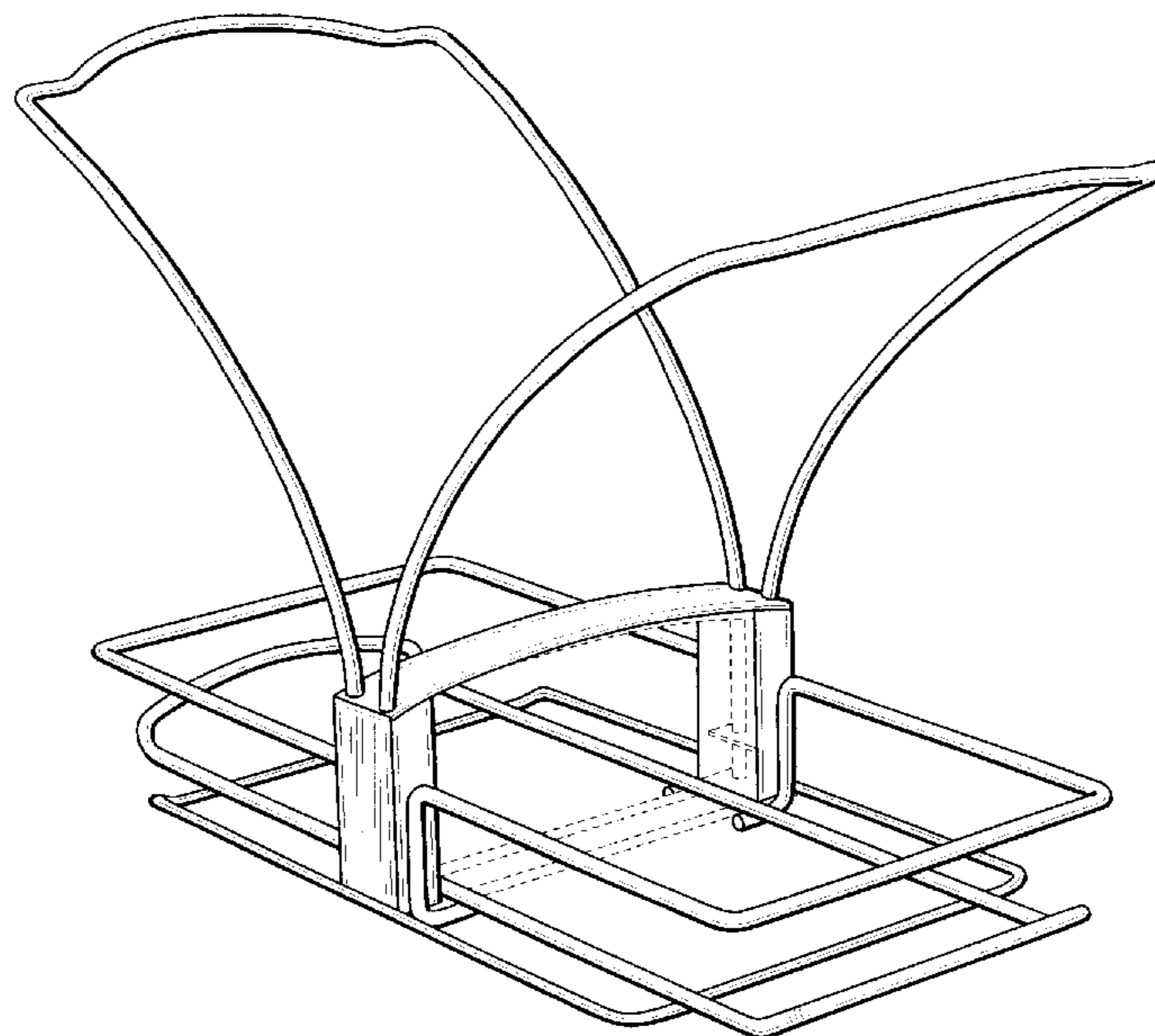
(57) **CLAIM**

The ornamental design for a “bin,” as shown and described.

DESCRIPTION

FIG. 1 is a perspective view showing our new design for a bin;
FIG. 2 is a top plan view of the bin of FIG. 1;
FIG. 3 is a right side view of the bin of FIG. 1, the left side view being a mirror image thereof;
FIG. 4 is a front view of the bin of FIG. 1;
FIG. 5 is a rear view of the bin of FIG. 1; and,
FIG. 6 is a bottom plan view of the bin of FIG. 1.
The dashed lines are for illustrative purposes only and form no part of the claimed design.

1 Claim, 3 Drawing Sheets



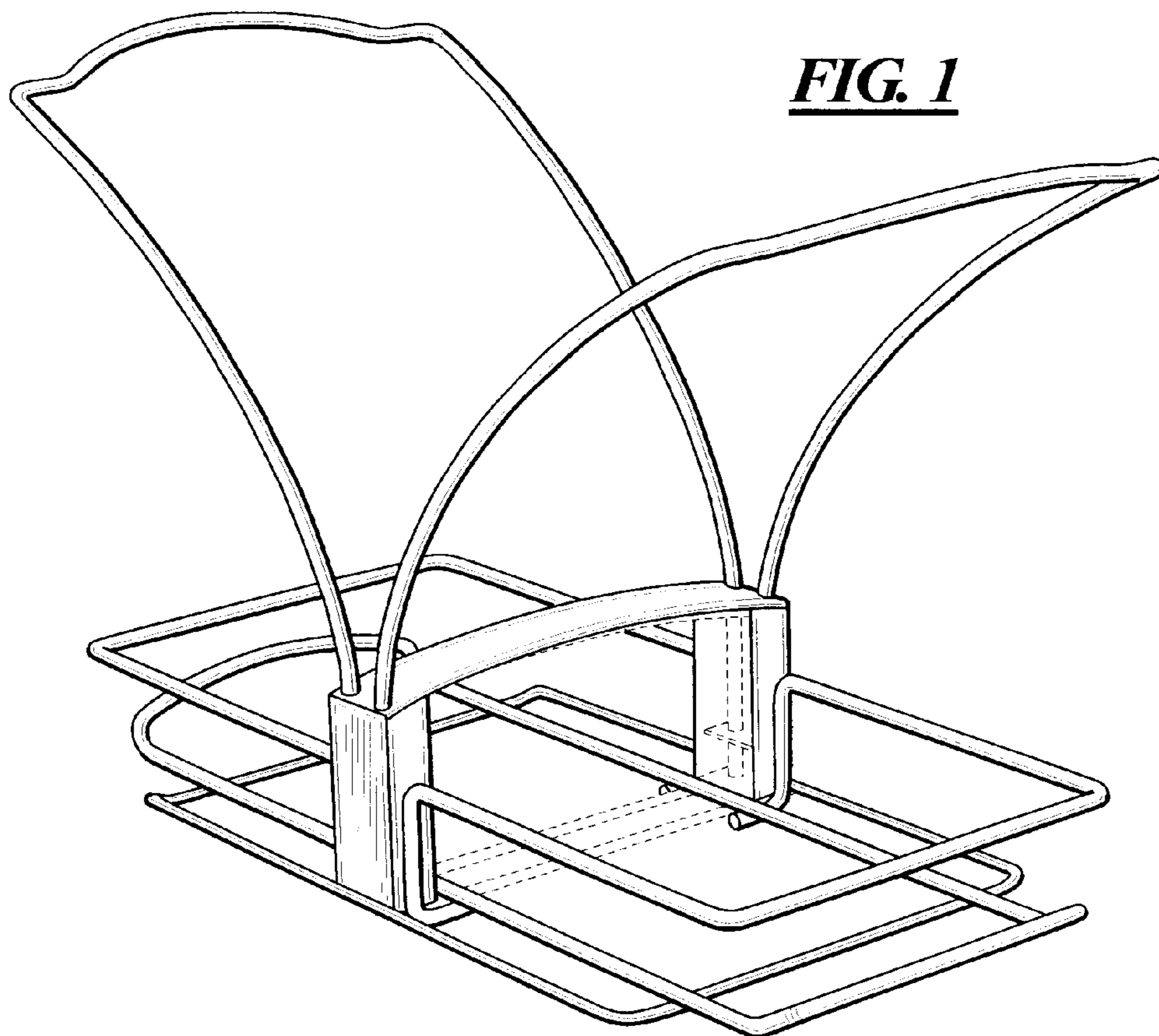


FIG. 2

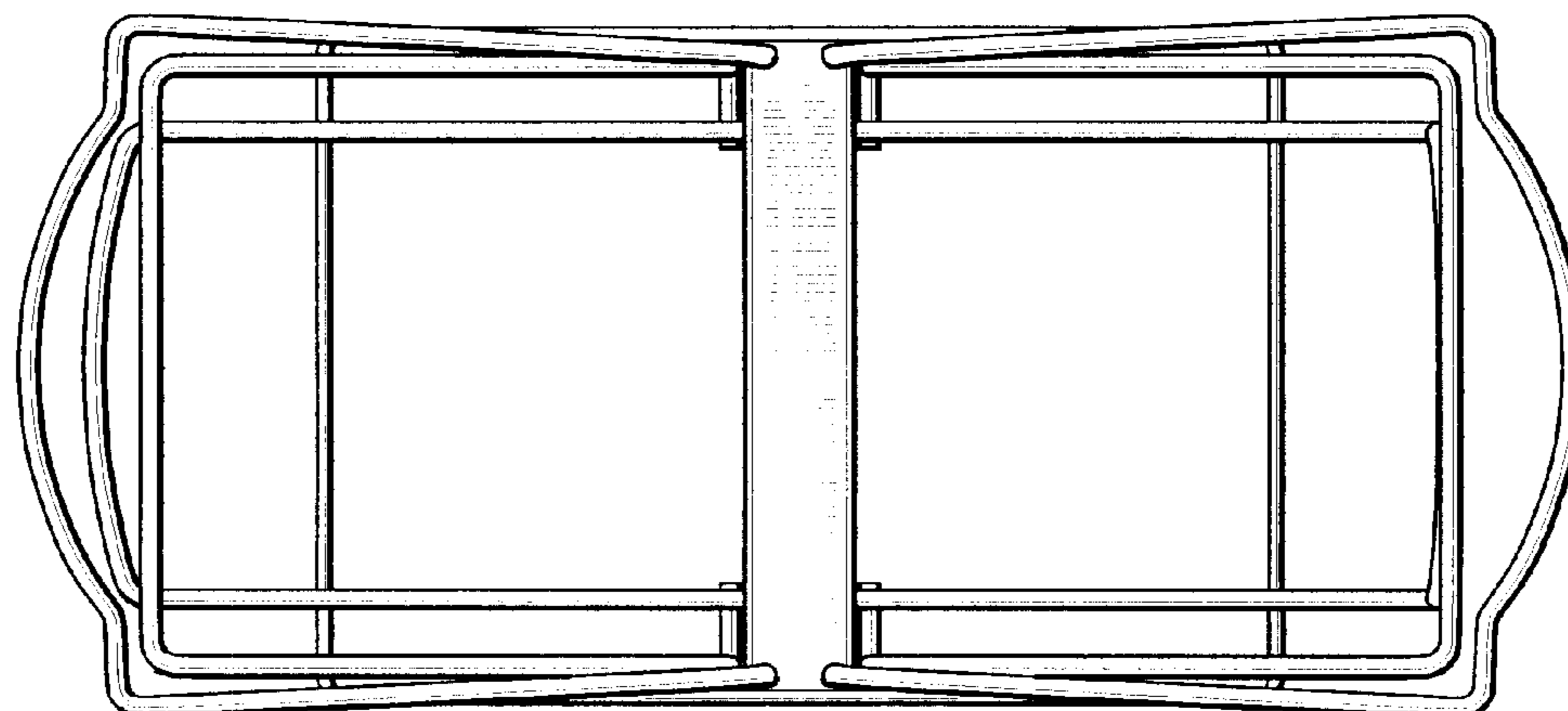


FIG. 4

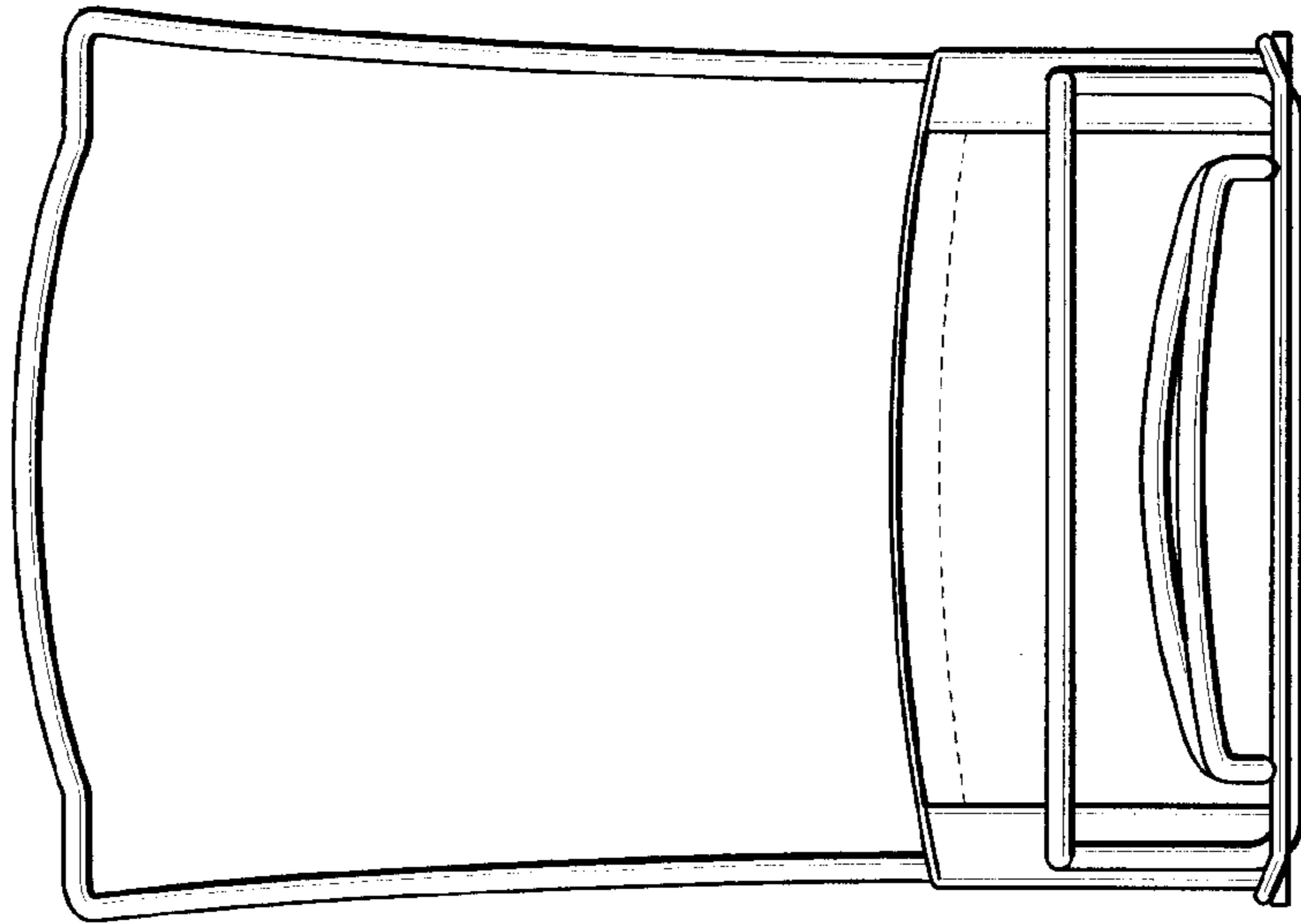


FIG. 3

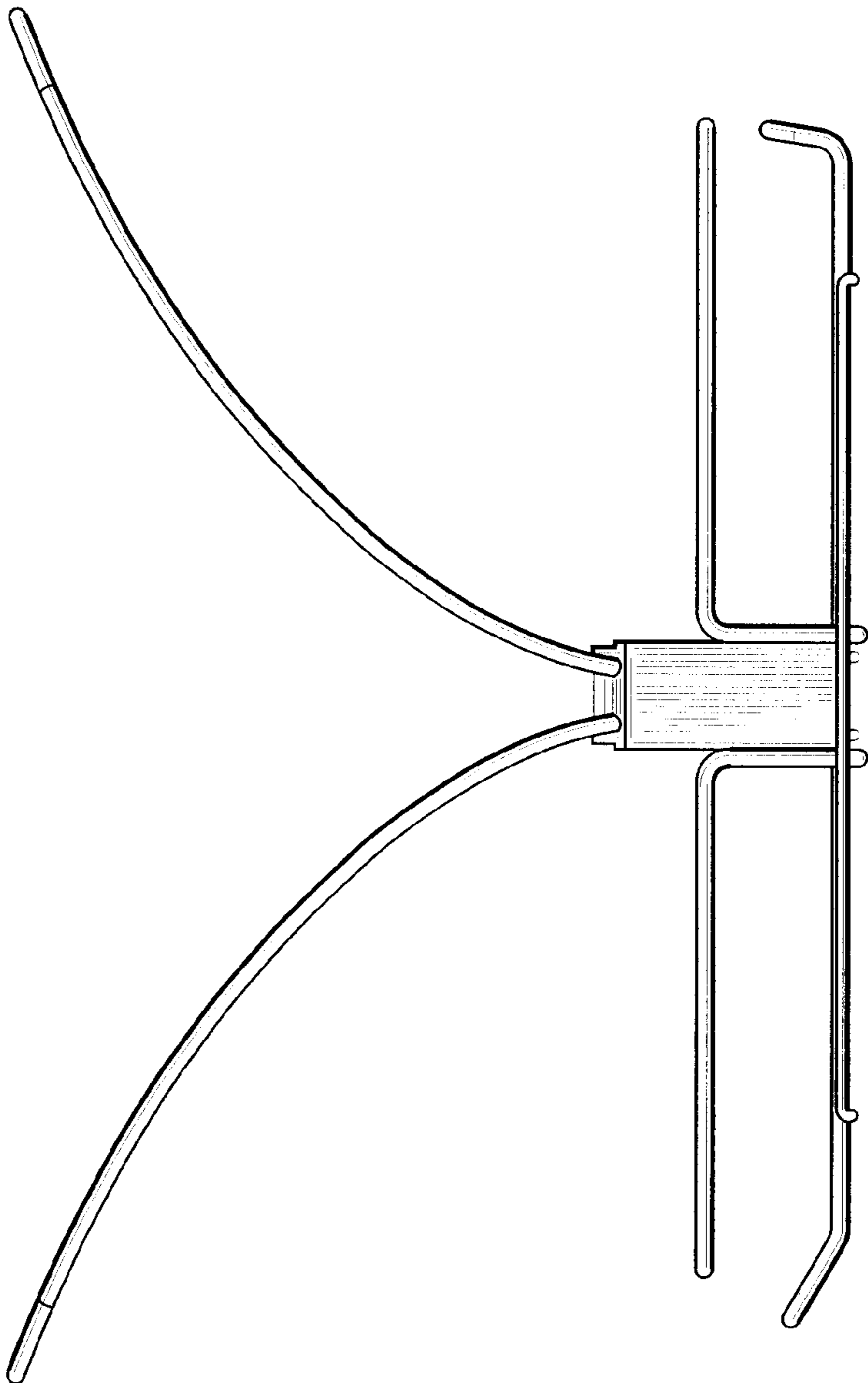


FIG. 5

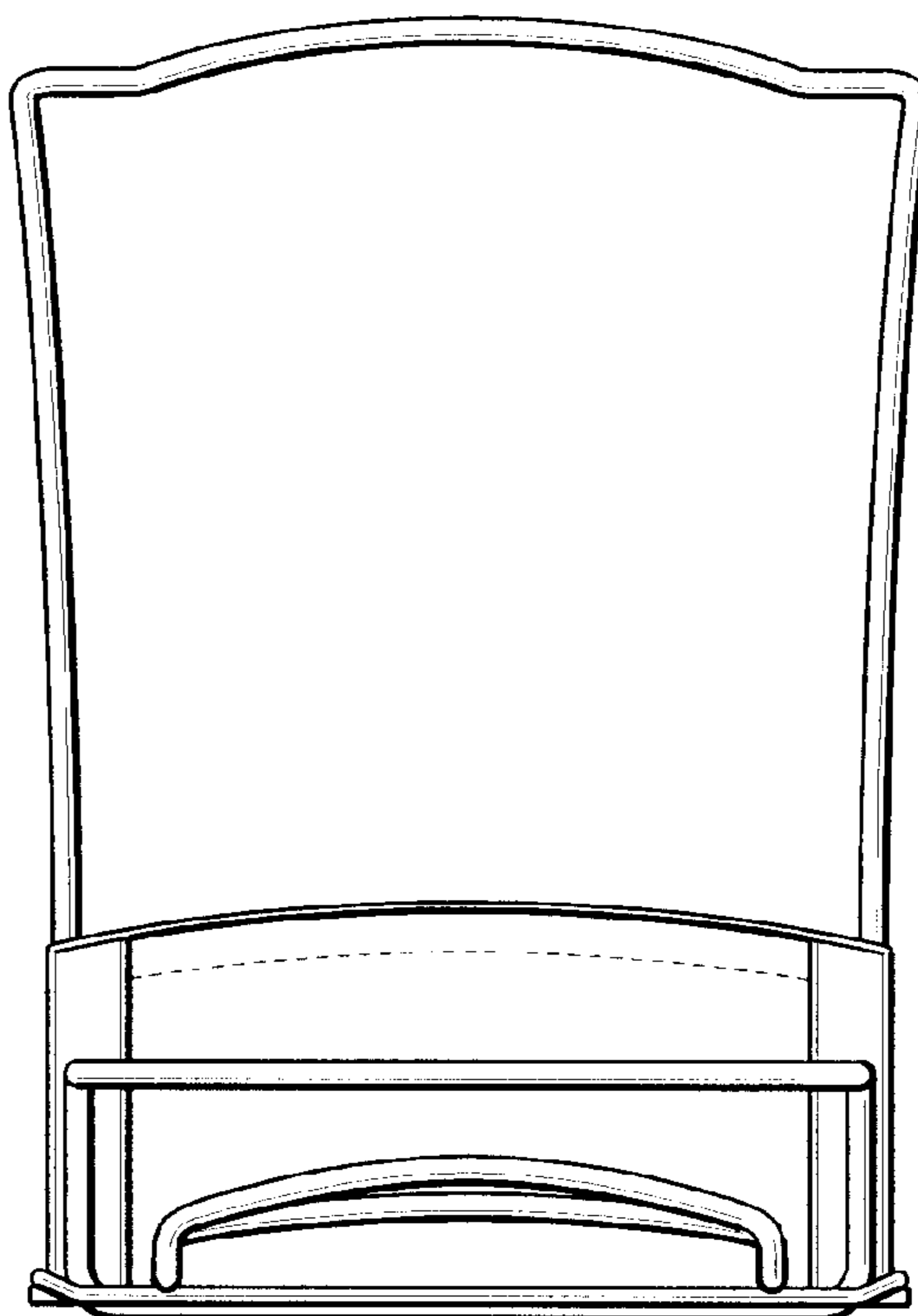


FIG. 6

