



US00D532989S

(12) **United States Design Patent**
Wells

(10) **Patent No.:** **US D532,989 S**
(45) **Date of Patent:** **** Dec. 5, 2006**

(54) **RETAINING DEVICE FOR A MEDIA DISC**

(75) Inventor: **Jesse D. Wells**, Canton, OH (US)

(73) Assignee: **Nexpak Corporation**, Uniontown, OH (US)

(**) Term: **14 Years**

(21) Appl. No.: **29/228,580**

(22) Filed: **Apr. 26, 2005**

(51) **LOC (8) Cl.** **19-04**

(52) **U.S. Cl.** **D6/407**

(58) **Field of Classification Search** D3/218,
D3/270; D6/407, 449, 626-635; 206/18,
206/307.1, 308.1, 308.2, 308.3, 309, 310,
206/311, 312, 313, 445, 749; 312/9.1, 902,
312/9.9, 9.48, 9.55, 9.64, 9.47, 9.53, 328

See application file for complete search history.

D465,673	S	*	11/2002	Marsilio et al.	D6/407
D466,718	S		12/2002	Abeyta, Jr. et al.		
D469,622	S	*	2/2003	Marsilio et al.	D6/407
6,516,945	B1	*	2/2003	Myszka et al.	206/308.2
6,516,946	B1	*	2/2003	Kang et al.	206/310
6,547,068	B1	*	4/2003	Chu	206/310
6,550,612	B1		4/2003	Tajima		
D478,736	S	*	8/2003	Scanlan	D6/407
D480,589	S		10/2003	Wang		
6,648,135	B1		11/2003	Ho		
6,681,930	B1	*	1/2004	Yang	206/310
6,688,463	B1		2/2004	Peterson et al.		
6,712,203	B1		3/2004	Chung		
6,719,133	B1	*	4/2004	Perez et al.	206/308.2
6,732,862	B1	*	5/2004	Hu	206/310
D495,913	S	*	9/2004	Hsiao	D6/635
6,808,065	B1		10/2004	Chang		
D498,606	S	*	11/2004	Chow	D6/407
6,863,176	B1		3/2005	Farrar et al.		
2001/0000599	A1	*	5/2001	Belden, Jr.	206/310
2002/0153266	A1	*	10/2002	Havens	206/310

(Continued)

(56) **References Cited**

U.S. PATENT DOCUMENTS

4,753,347	A	*	6/1988	Bellante et al.	206/387.1
D323,116	S	*	1/1992	Dart et al.	D9/447
5,168,991	A	*	12/1992	Whitehead et al.	206/758
D379,413	S	*	5/1997	Swanick	D6/627
5,887,713	A	*	3/1999	Smith et al.	206/308.1
5,944,181	A	*	8/1999	Lau	206/308.1
6,041,922	A		3/2000	Kollinek		
6,065,593	A	*	5/2000	Howerton et al.	206/310
D426,721	S	*	6/2000	Benden et al.	D6/407
6,116,417	A	*	9/2000	Yoshinaga et al.	206/310
D434,777	S		12/2000	Peterson et al.		
D439,435	S	*	3/2001	Belden et al.	D6/407
6,196,384	B1	*	3/2001	Belden, Jr.	206/308.1
6,227,363	B1	*	5/2001	Lu	206/308.1
6,237,763	B1		5/2001	Lau		
6,283,286	B1	*	9/2001	Hu	206/310
D451,299	S	*	12/2001	Cheng	D6/407
D452,793	S	*	1/2002	Lee	D6/632
D453,081	S	*	1/2002	Yu	D6/407
6,419,084	B1	*	7/2002	Sandor	206/308.1
6,425,481	B1	*	7/2002	Choi	206/308.1
D464,974	S		10/2002	Abeyta et al.		

Primary Examiner—Celia Murphy

(74) *Attorney, Agent, or Firm*—Zollinger & Burleson Ltd.

(57) **CLAIM**

I claim the ornamental design for a retaining device for a media disc, as shown and described.

DESCRIPTION

FIG. 1 is a top plan view of a retaining device for a media disc showing my new design;

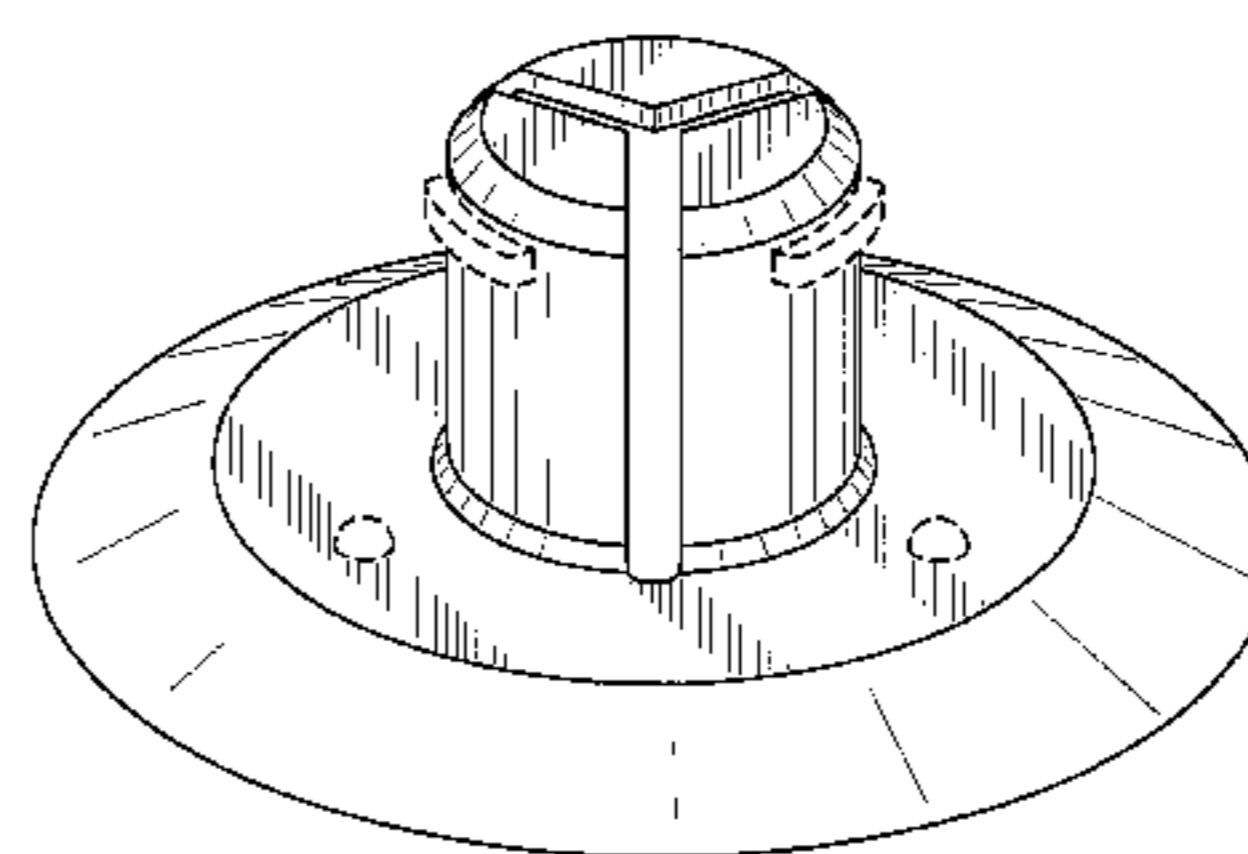
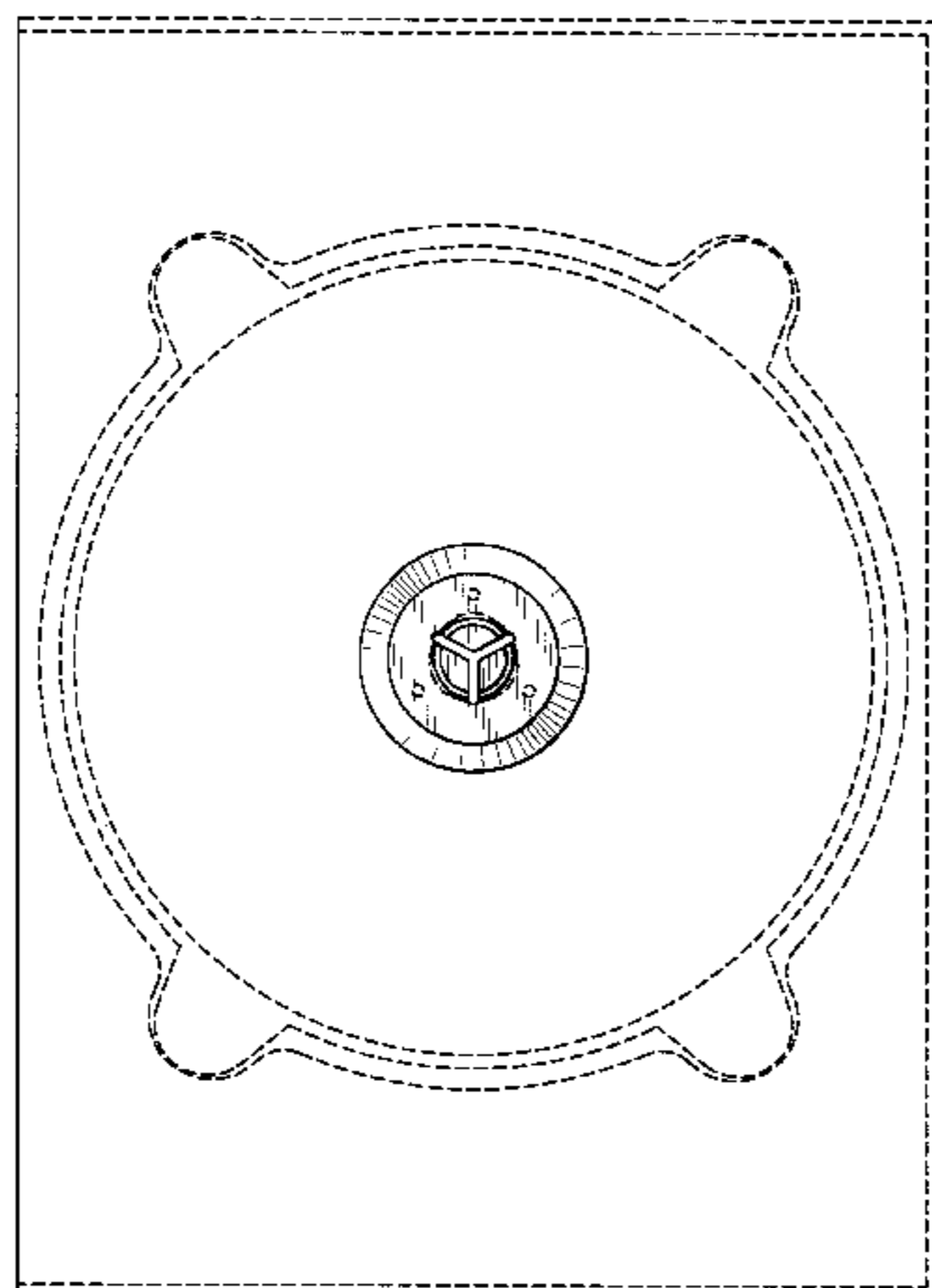
FIG. 2 is an enlarged top plan view thereof;

FIG. 3 is a perspective view of FIG. 2; and,

FIG. 4 is an enlarged perspective view of an alternate embodiment of the design shown in FIG. 1; the top plan view being identical to FIG. 2.

The broken lines showing a disc tray in FIG. 1 illustrates the environment in which the design resides. The broken lines and circles directly on the surface of the claimed design define the boundaries of the claim with the lines themselves and the portions within them forming no part of the claim.

1 Claim, 3 Drawing Sheets



US D532,989 S

Page 2

U.S. PATENT DOCUMENTS

2003/0015441	A1 *	1/2003	Kang et al.	206/310	2004/0159563	A1 *	8/2004	Hui	206/310
2003/0015442	A1 *	1/2003	Chu	206/310	2004/0178091	A1	9/2004	Lau	
2003/0062276	A1 *	4/2003	Chung	206/310	2005/0056556	A1 *	3/2005	Perez et al.	206/308.1
2003/0075463	A1 *	4/2003	Perez et al.	206/310	2005/0115847	A1 *	6/2005	Wawrzynowski	206/308.1
2004/0099549	A1 *	5/2004	Hu	206/308.1					

* cited by examiner

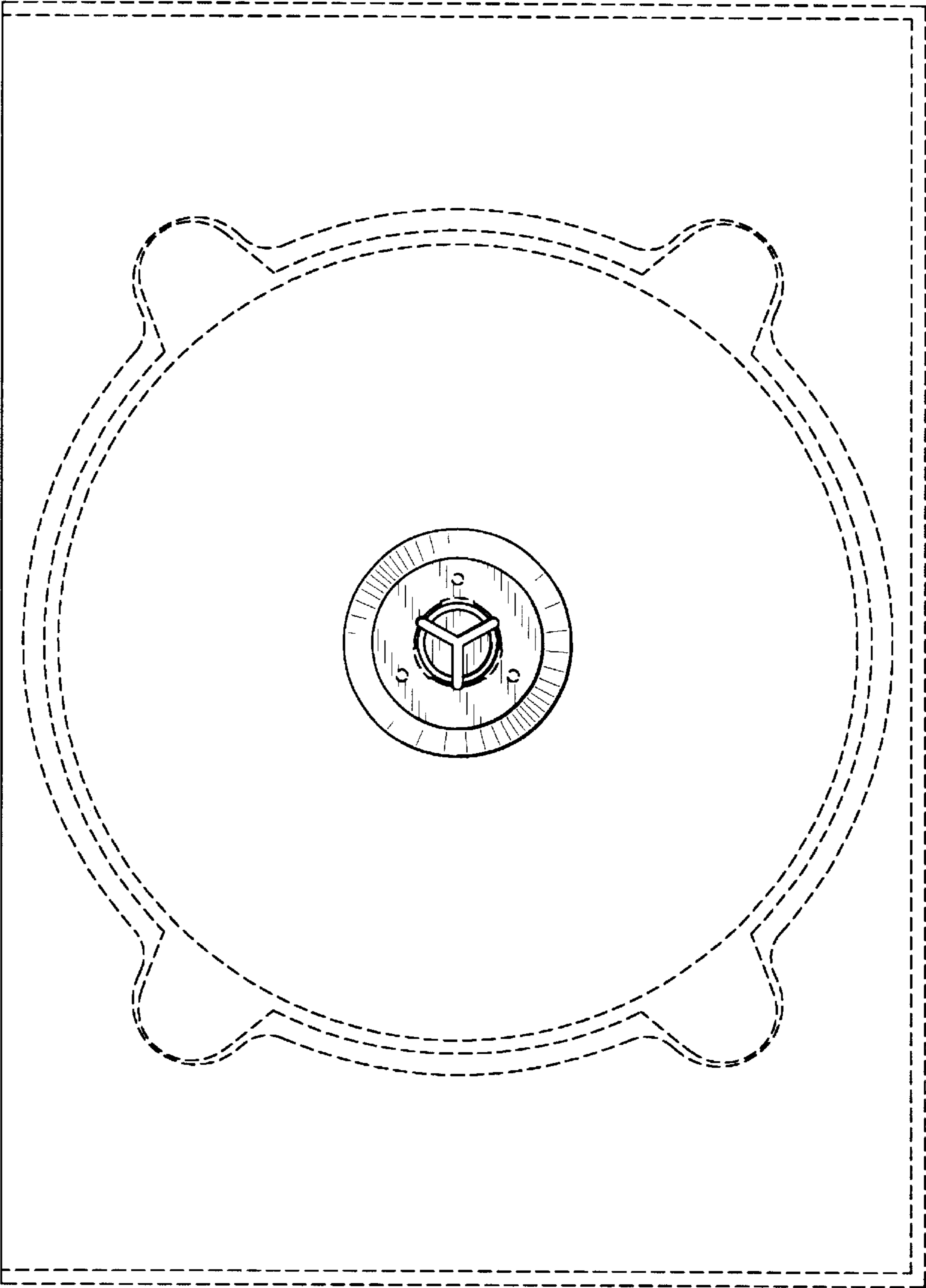


FIG. 1

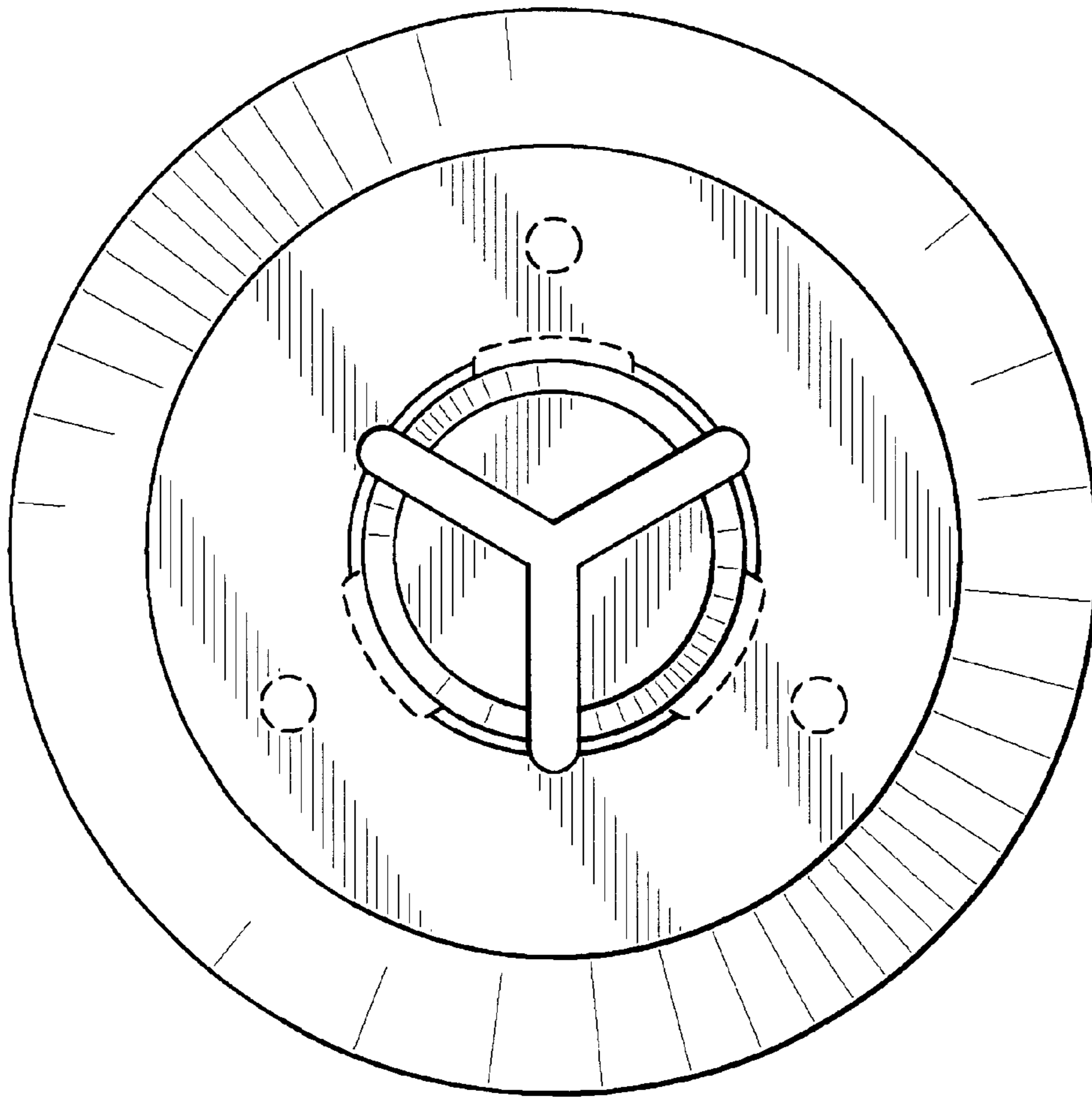


FIG. 2

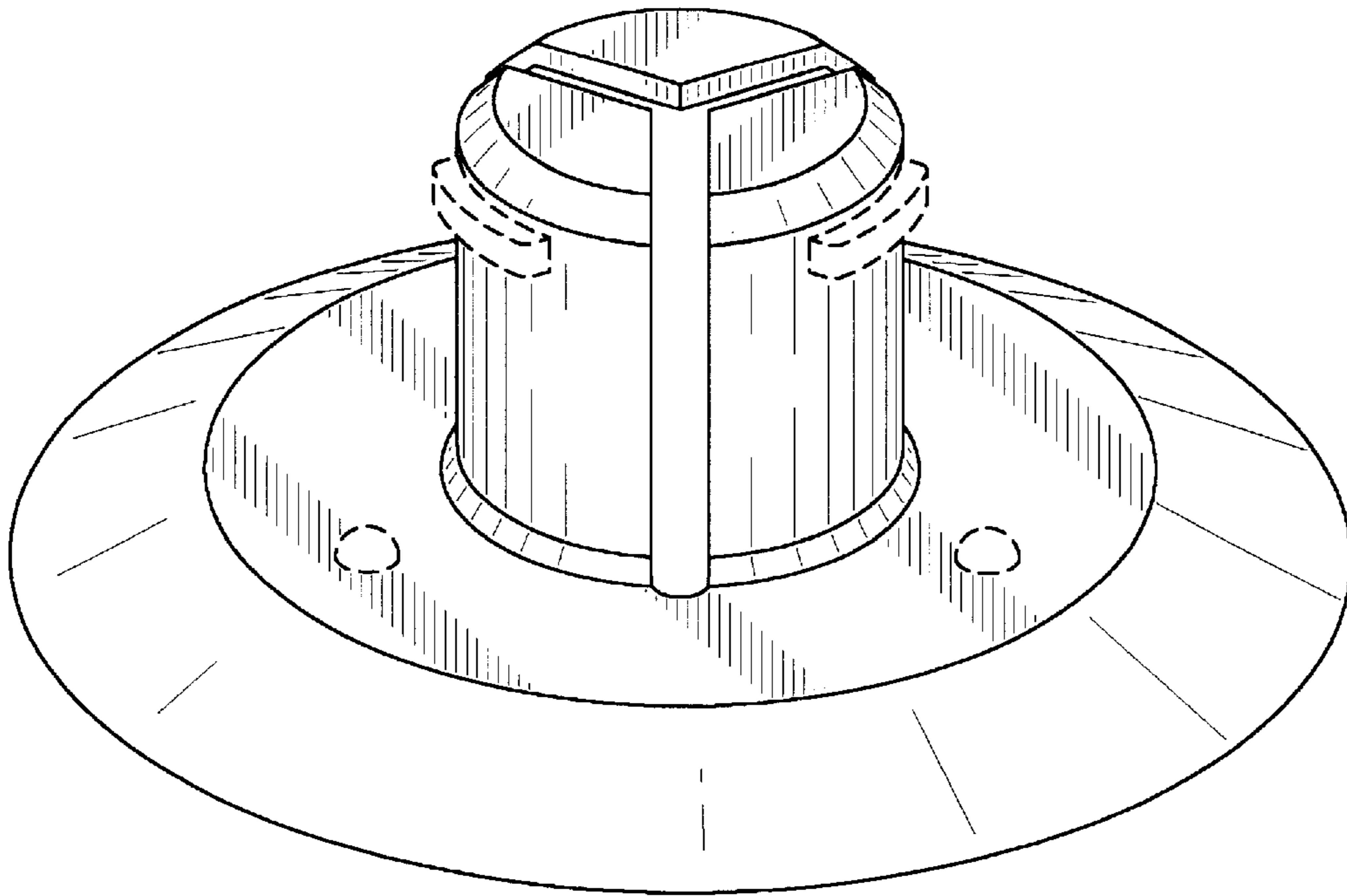


FIG. 3

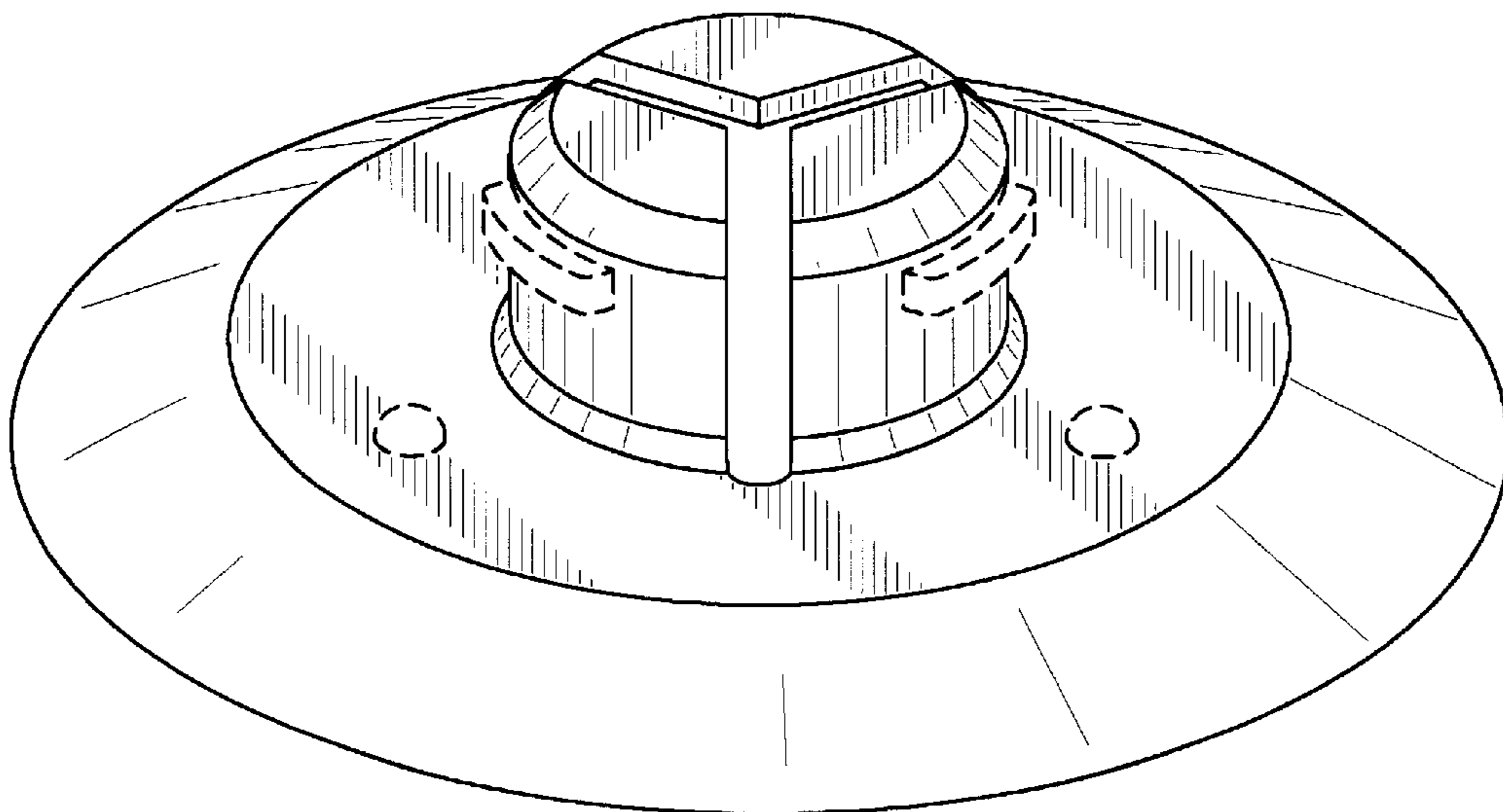


FIG. 4