



US00D532973S

(12) **United States Design Patent**  
**Moon**

(10) **Patent No.:** **US D532,973 S**

(45) **Date of Patent:** **\*\* Dec. 5, 2006**

(54) **LUGGAGE HANDLE**

(76) Inventor: **Jerry Moon**, P.O. Box 24-108, Taipei  
(TW)

(\*\*) Term: **14 Years**

(21) Appl. No.: **29/235,440**

(22) Filed: **Aug. 3, 2005**

(51) **LOC (8) Cl.** ..... **03-01**

(52) **U.S. Cl.** ..... **D3/318**

(58) **Field of Classification Search** ..... D3/218,  
D3/328, 279, 282, 320, 215, 254, 255, 276,  
D3/281, 291; D8/14, 300, 302, 206, 315,  
D8/316, 317, 319, 320; D34/24, 26; 24/599.5;  
16/110.1, 113.1, 114.1, 405, 406, 408, 421,  
16/422, 429, 430, 431, 445; 190/18 A, 39,  
190/102, 103, 111, 115; 280/37, 655, 655.1,  
280/DIG. 6

See application file for complete search history.

(56) **References Cited**

**U.S. PATENT DOCUMENTS**

5,970,579 A \* 10/1999 Lu ..... 280/655

D424,400 S \* 5/2000 Lin ..... D8/302  
D432,893 S \* 10/2000 Lu ..... D8/316  
D450,998 S \* 11/2001 Wang ..... D8/316  
D504,773 S \* 5/2005 Lu ..... D3/318  
6,918,475 B1 \* 7/2005 Lin et al. .... 16/113.1

\* cited by examiner

*Primary Examiner*—Louis S. Zarfes

*Assistant Examiner*—Monica A. Weingart

(57) **CLAIM**

I claim the ornamental design for a luggage handle, as shown and described.

**DESCRIPTION**

FIG. 1 is a perspective view of a luggage handle showing my new design.

FIG. 2 is a front view thereof;

FIG. 3 is a rear view thereof;

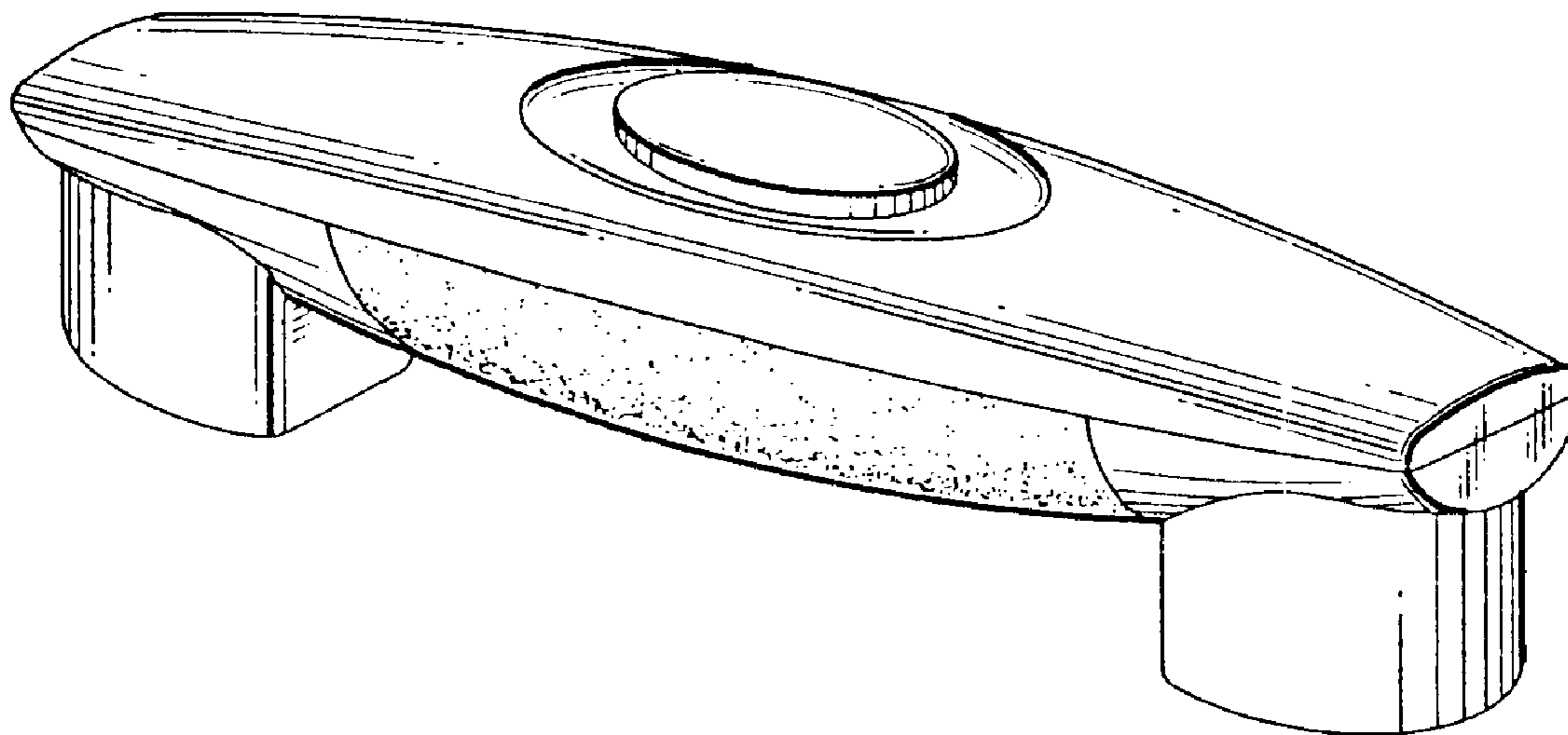
FIG. 4 is a left side view thereof;

FIG. 5 is a right side view thereof;

FIG. 6 is a top plan view thereof; and,

FIG. 7 is a bottom plan view thereof.

**1 Claim, 2 Drawing Sheets**



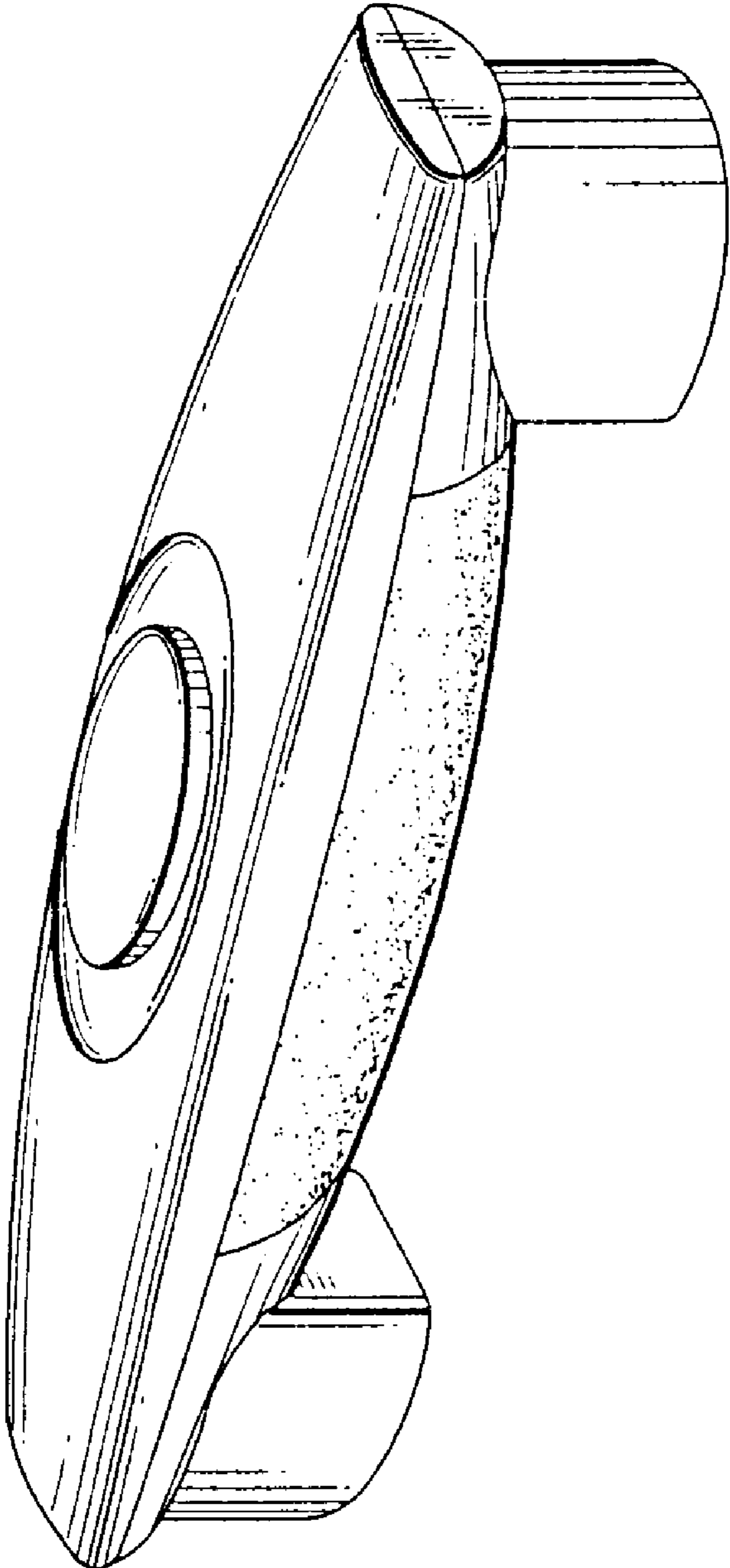


FIG. 1

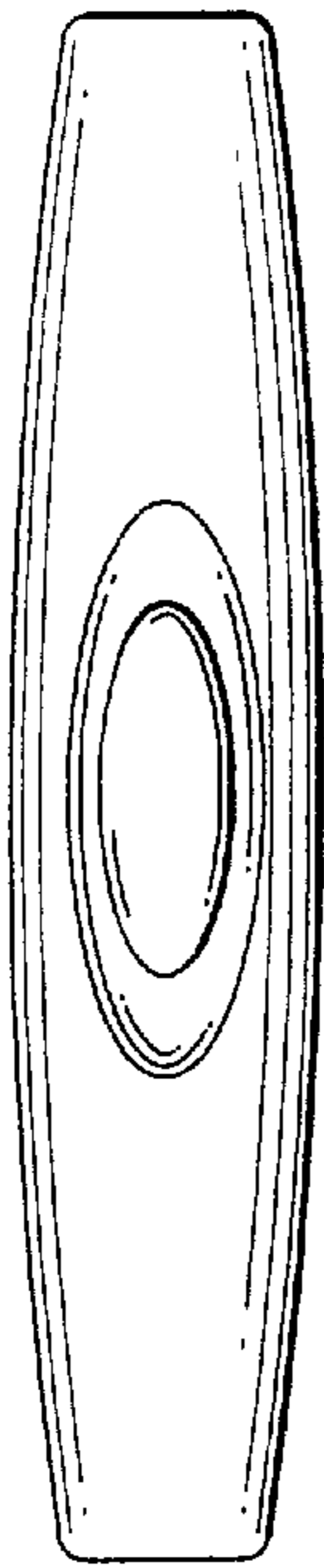


FIG. 6

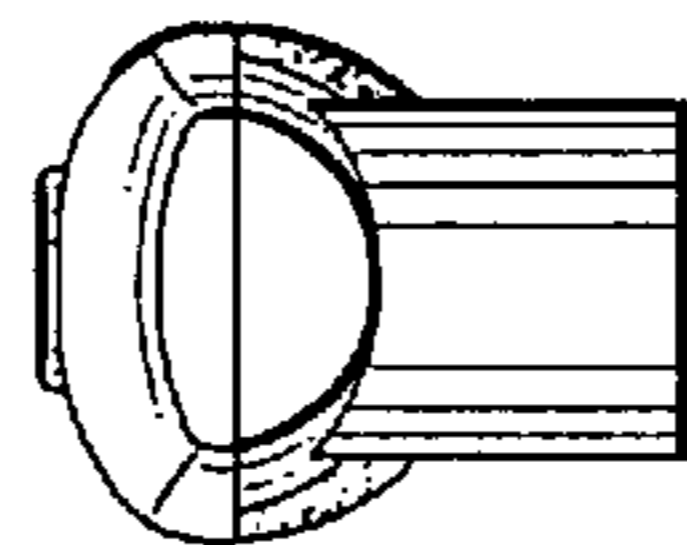


FIG. 4

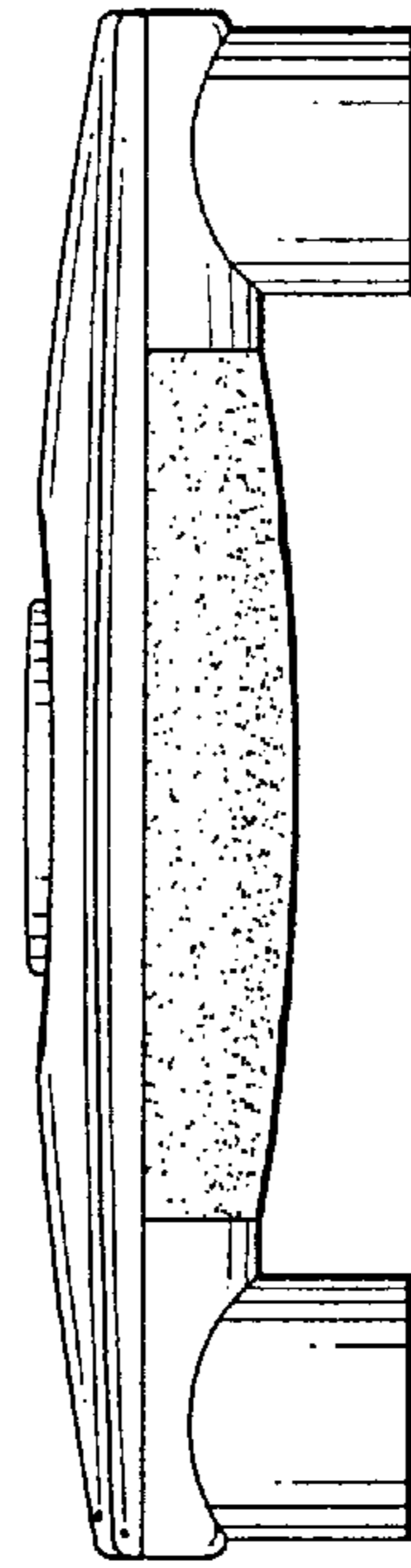


FIG. 2

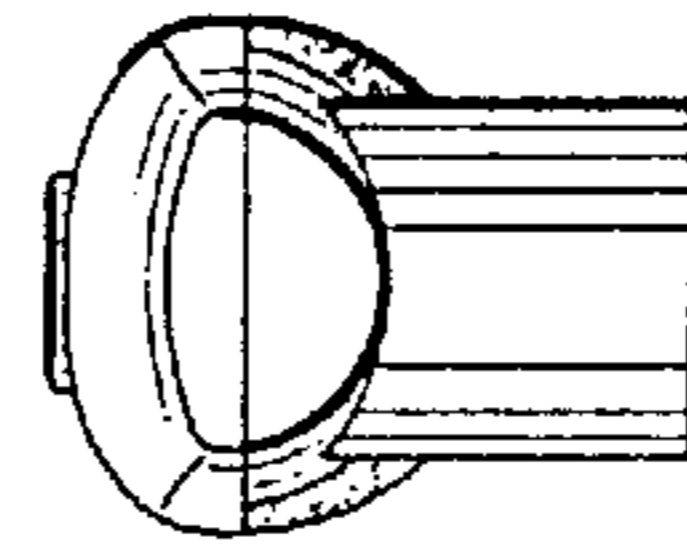


FIG. 5

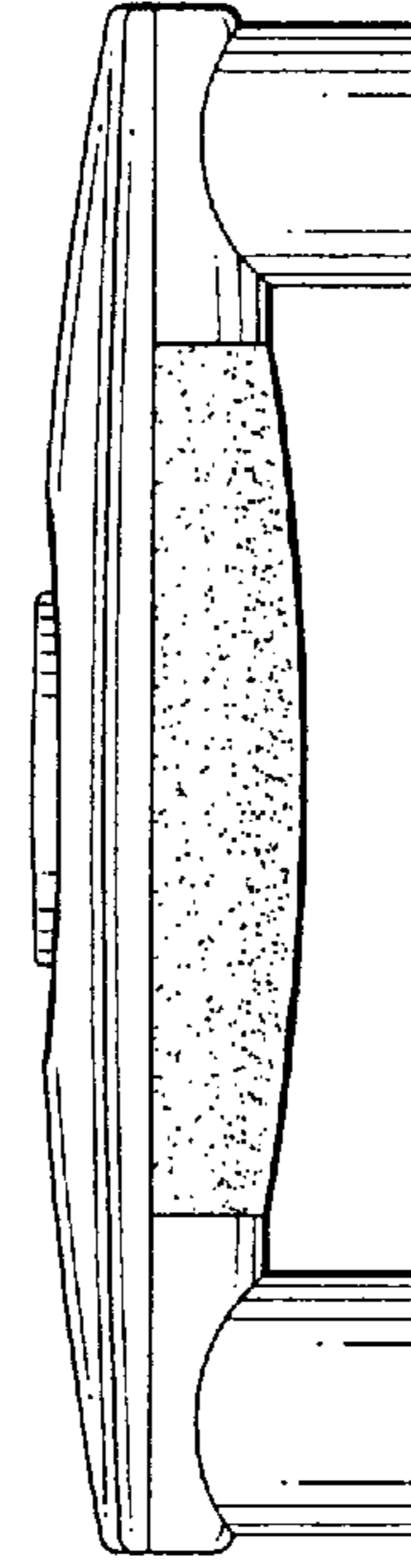


FIG. 3



FIG. 7