



US00D532967S

(12) **United States Design Patent** (10) **Patent No.:** **US D532,967 S**
Wong (45) **Date of Patent:** **** Dec. 5, 2006**

(54) **MINIATURE NOVELTY PURSE**

(76) Inventor: **Sandra Lee Wong**, 2796 Cowper St.,
Palo Alto, CA (US) 94306

(**) Term: **14 Years**

(21) Appl. No.: **29/195,348**

(22) Filed: **Dec. 10, 2003**

(51) **LOC (8) Cl.** **03-01**

(52) **U.S. Cl.** **D3/234; D3/240**

(58) **Field of Classification Search** D3/232-234,
D3/242, 265, 288, 271, 238, 243, 246; D9/421,
D9/414, 420, 433, 430, 431, 432, 424, 419,
D9/631, 415; D7/601, 602, 605; 229/155,
229/902, 904, 117.23-117.26, 117.09, 112-114;
150/107; 206/519

See application file for complete search history.

(56) **References Cited**

U.S. PATENT DOCUMENTS

610,001	A	*	8/1898	Shartle	229/114
822,910	A	*	6/1906	Bloomer	229/117.25
1,462,153	A	*	7/1923	Swift, Jr.	229/117.24
D99,893	S	*	6/1936	Rike	D9/421
D100,025	S	*	6/1936	Jepson	D9/421
D113,830	S	*	3/1939	Berman	D3/243
2,355,729	A	*	8/1944	Inman	229/117.14
D256,096	S	*	7/1980	Ganz	D9/421
D259,615	S	*	6/1981	Morris, Jr.	D7/605
D355,598	S	*	2/1995	Aronhalt	D9/415
5,816,484	A	*	10/1998	Buchalski et al.	229/114

* cited by examiner

Primary Examiner—Ian Simmons

Assistant Examiner—Melanie Levy

(74) *Attorney, Agent, or Firm*—Darryl A. Smith

(57) **CLAIM**

The ornamental design for a miniature novelty purse, as shown and described.

DESCRIPTION

FIG. 1 is a perspective view of a first embodiment of a miniature novelty purse showing my new design, with the purse in a closed state;

FIG. 2 is a perspective view of the first embodiment thereof, with the purse in an open state;

FIG. 3 is a front elevational view of the first embodiment thereof, with the purse in a closed state;

FIG. 4 is a rear elevational view of the first embodiment thereof, with the purse in a closed state;

FIG. 5 is a right side elevational view of the first embodiment thereof, with the purse in a closed state;

FIG. 6 is a left side elevational view of the first embodiment thereof, with the purse in a closed state;

FIG. 7 is a top plan view of the first embodiment thereof, with the purse in a closed state;

FIG. 8 is a bottom plan view of the first embodiment thereof, with the purse in a closed state;

FIG. 9 is a front view thereof, shown in an unfolded condition. The broken lines shown on the surface are understood to represent fold lines; and,

FIG. 10 is a front elevational view of a handle of the first embodiment thereof.

1 Claim, 4 Drawing Sheets

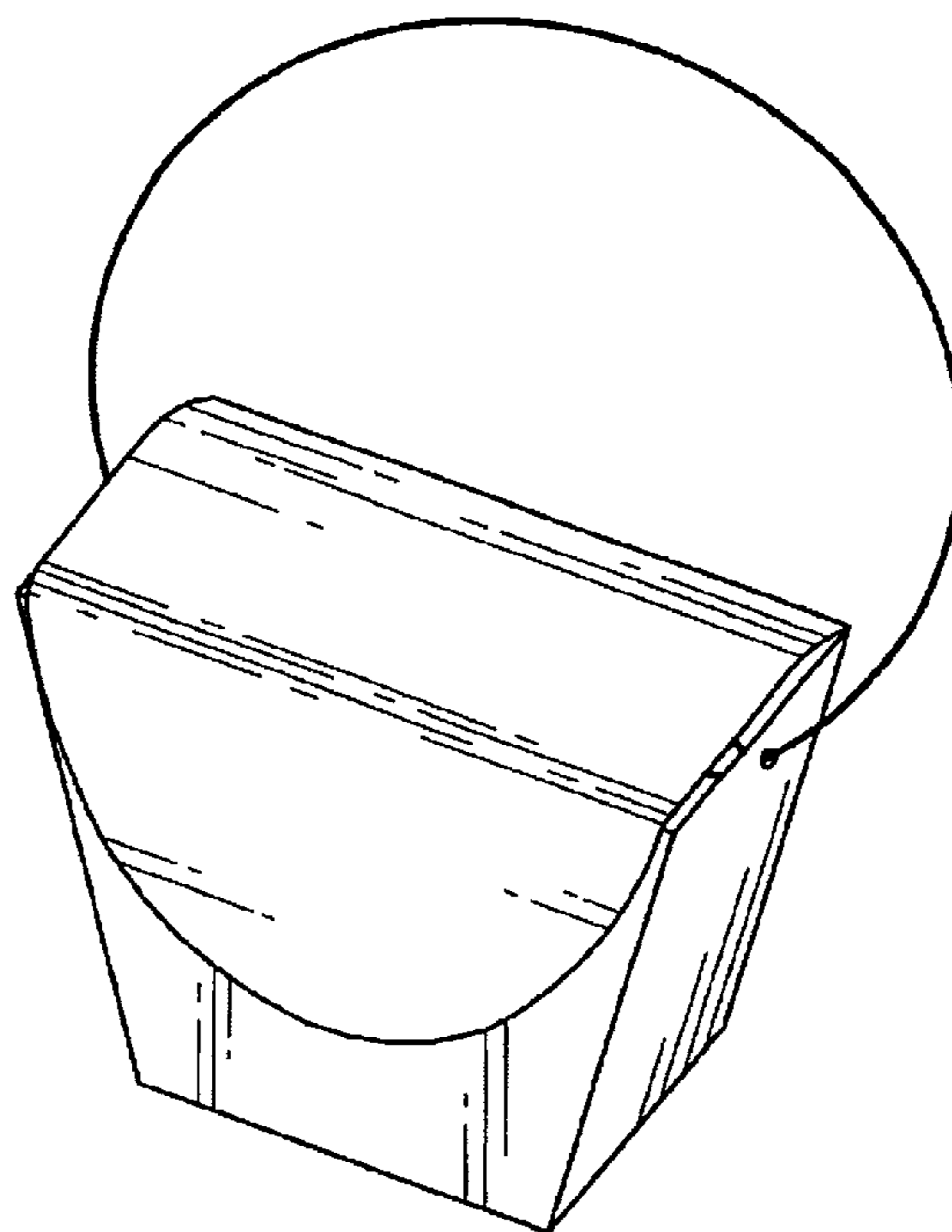


FIG. 1

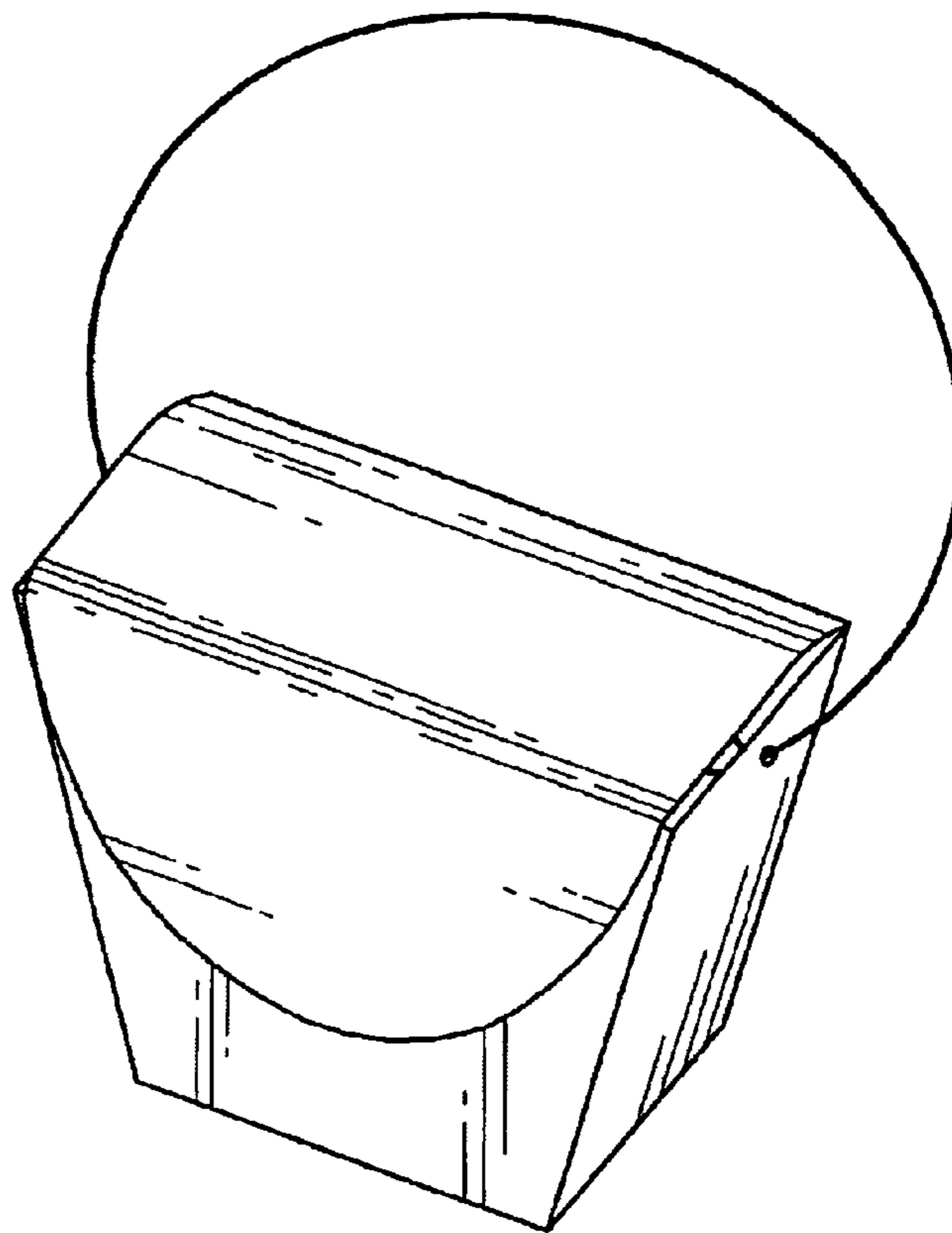


FIG. 2

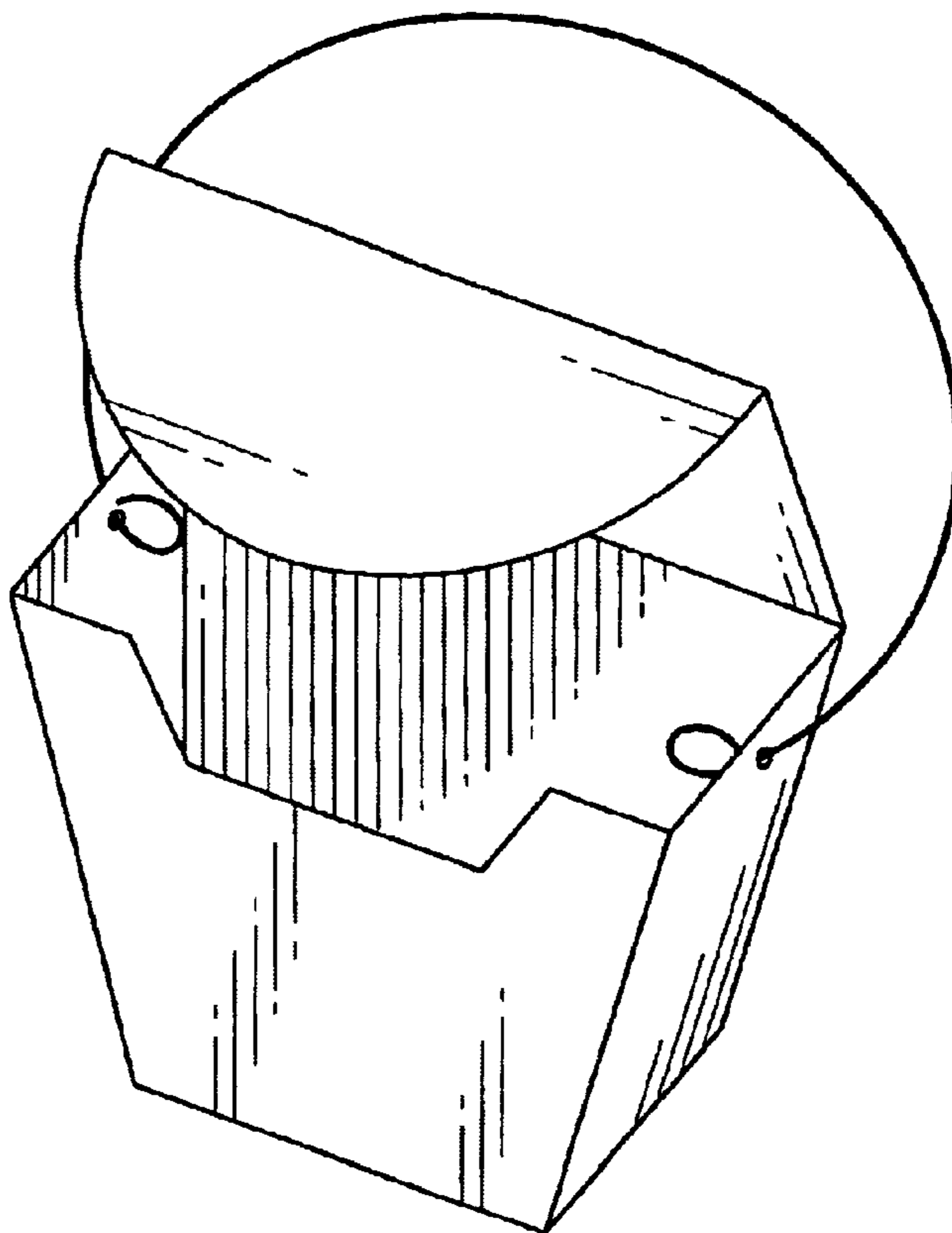


FIG. 3

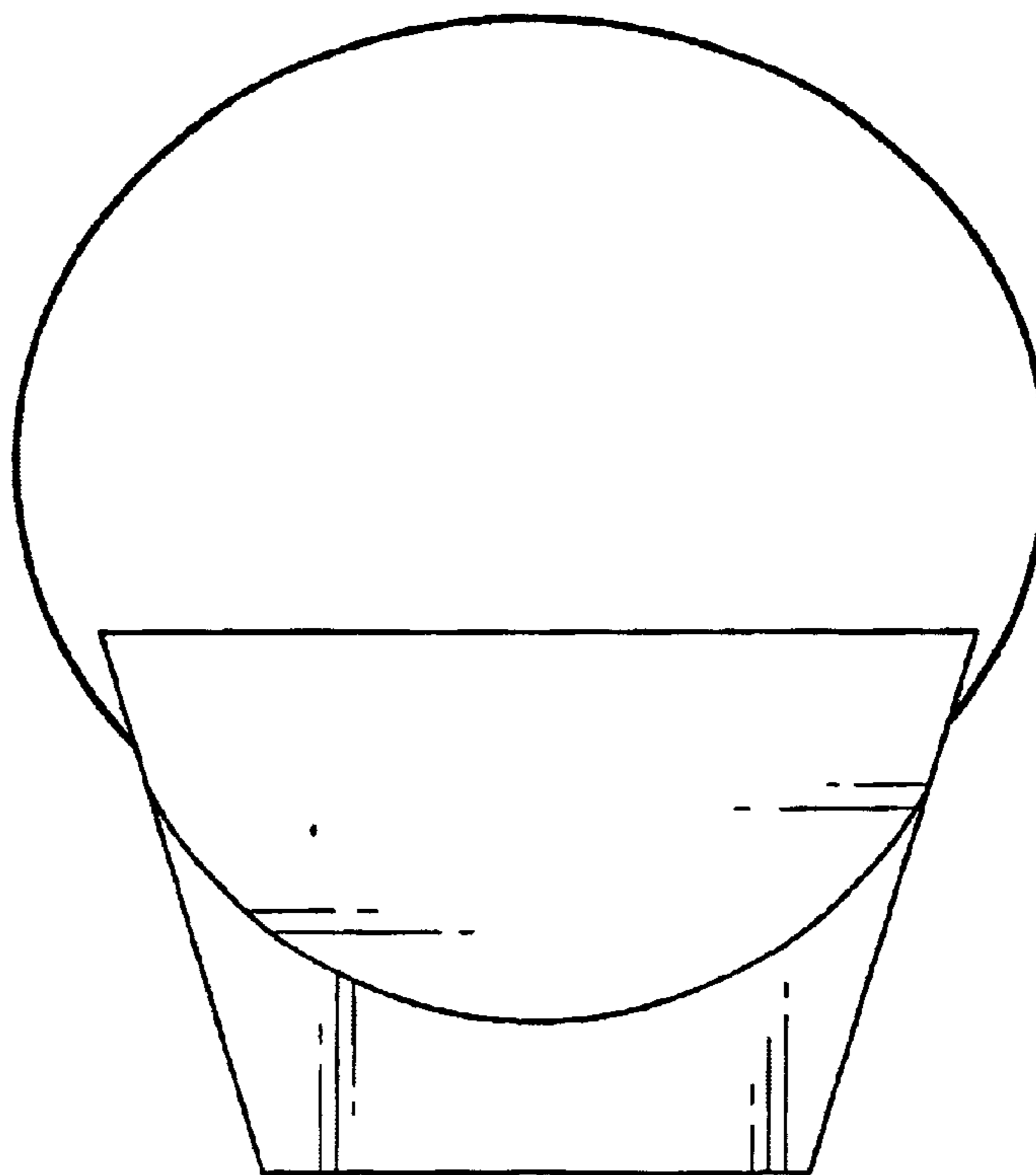


FIG. 4

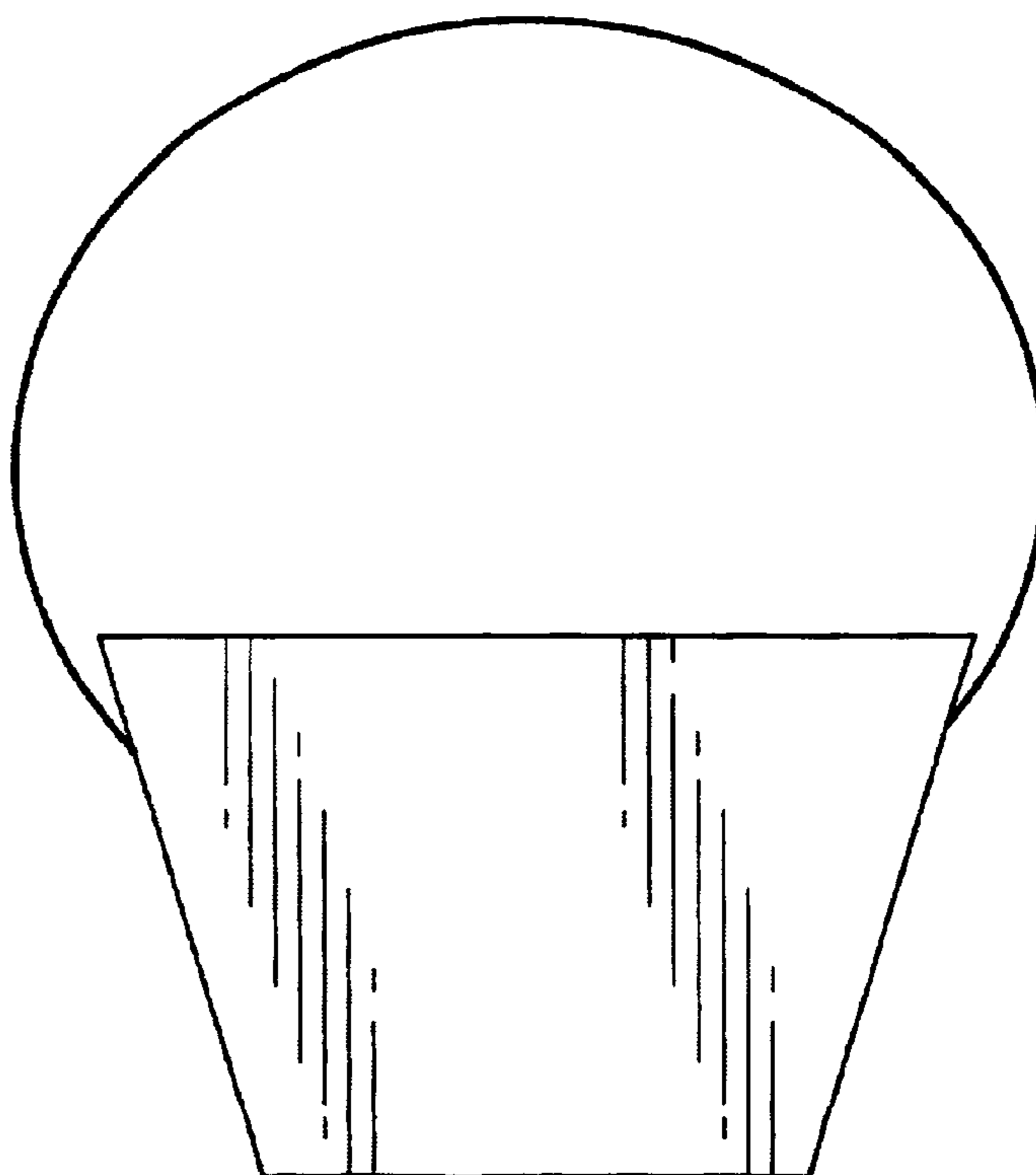


FIG. 5

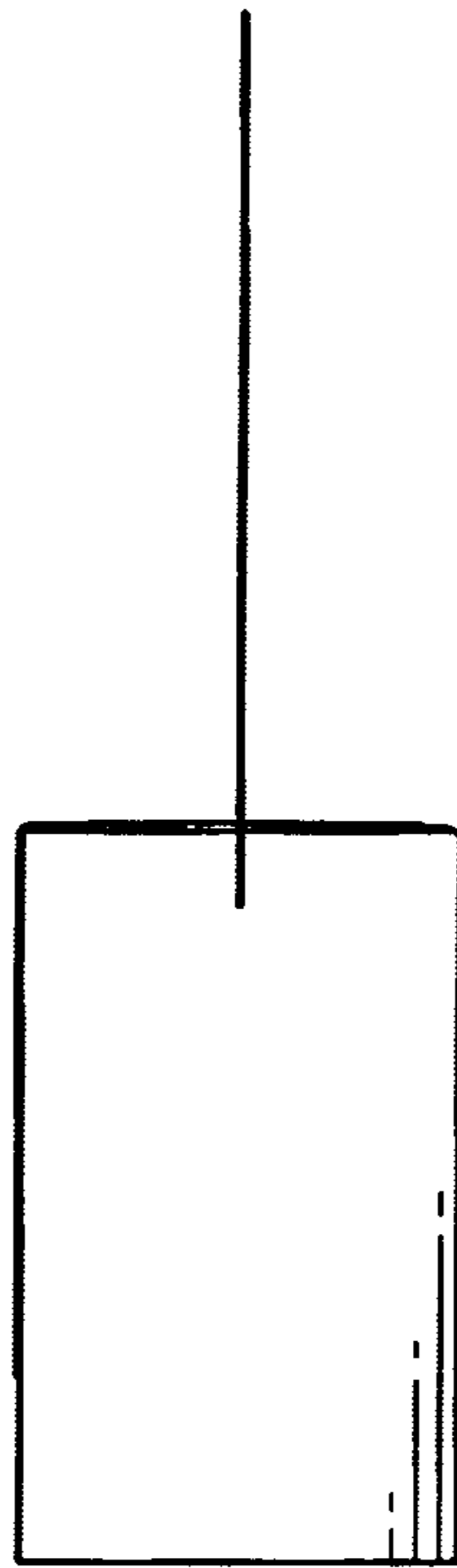


FIG. 6

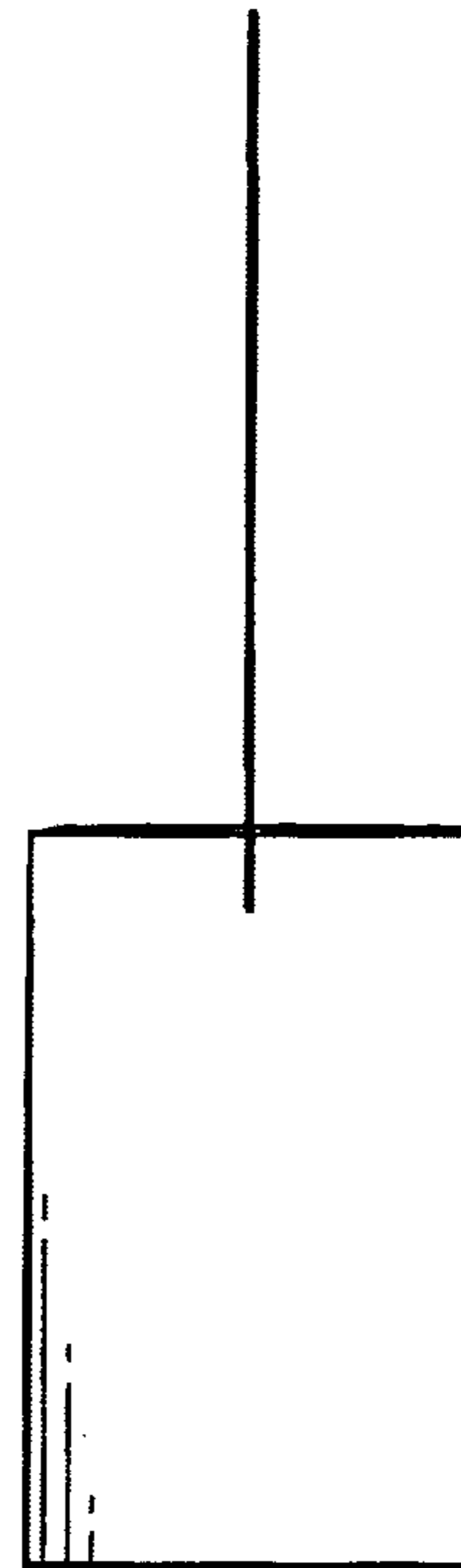


FIG. 7

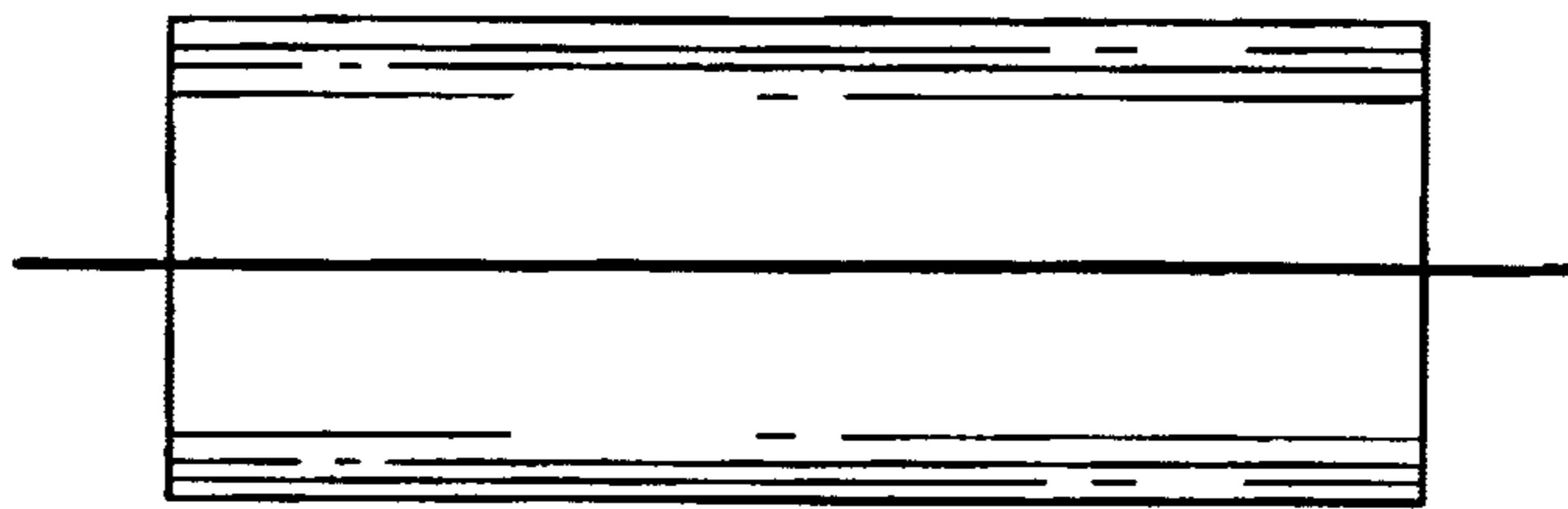
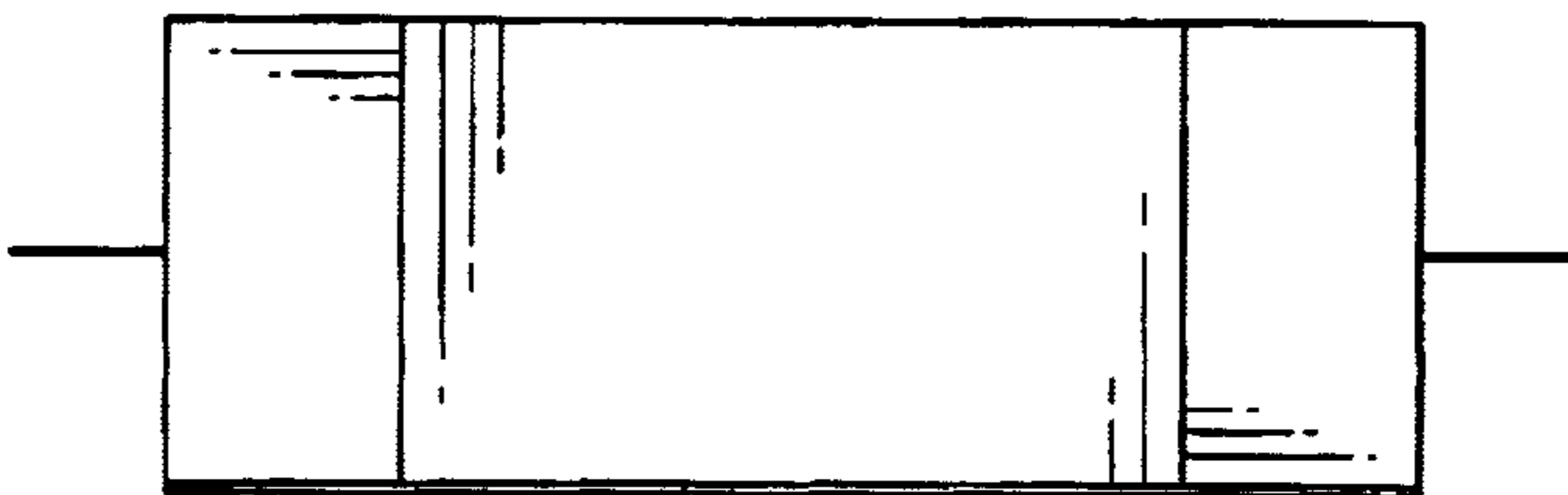


FIG. 8



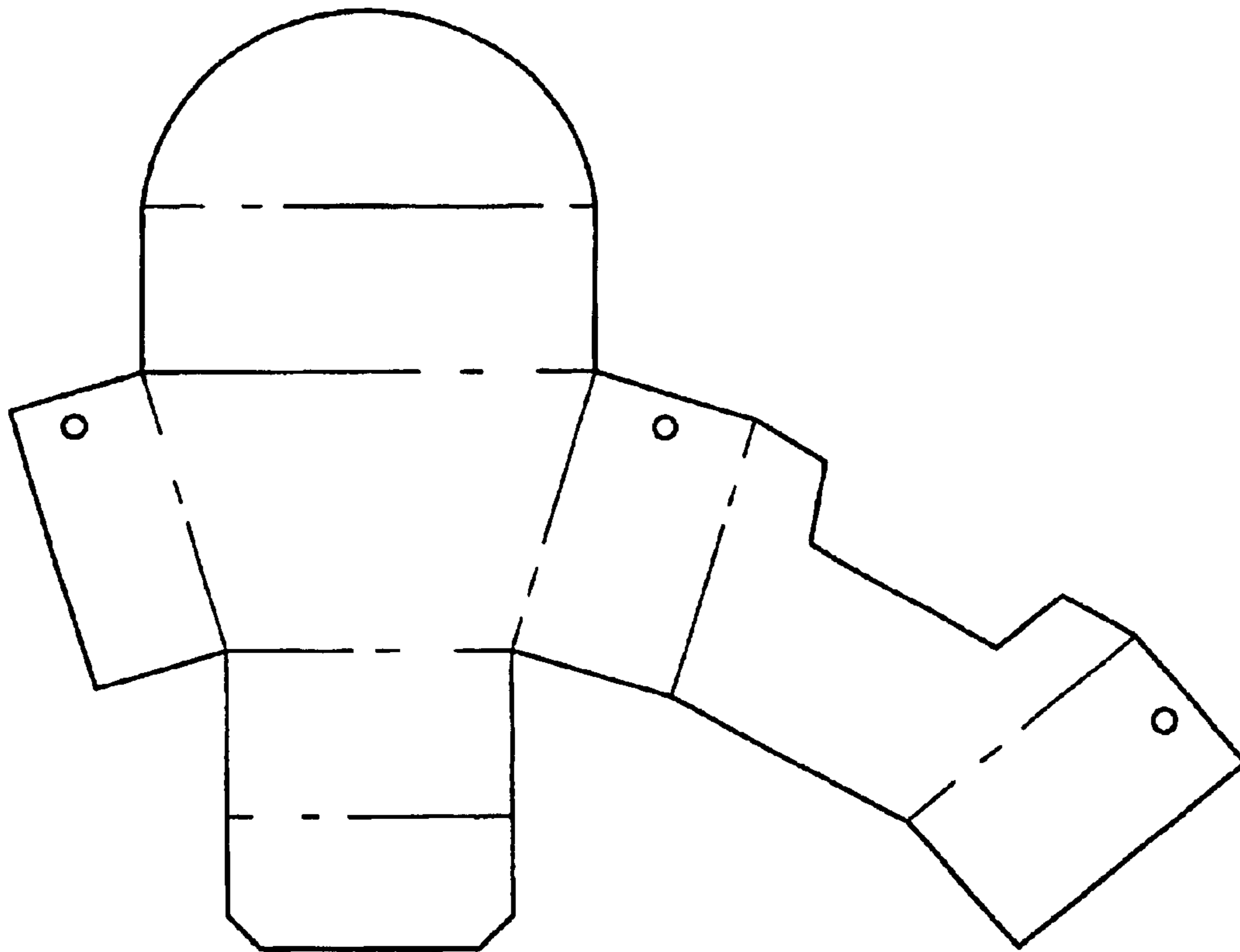


FIG. 9

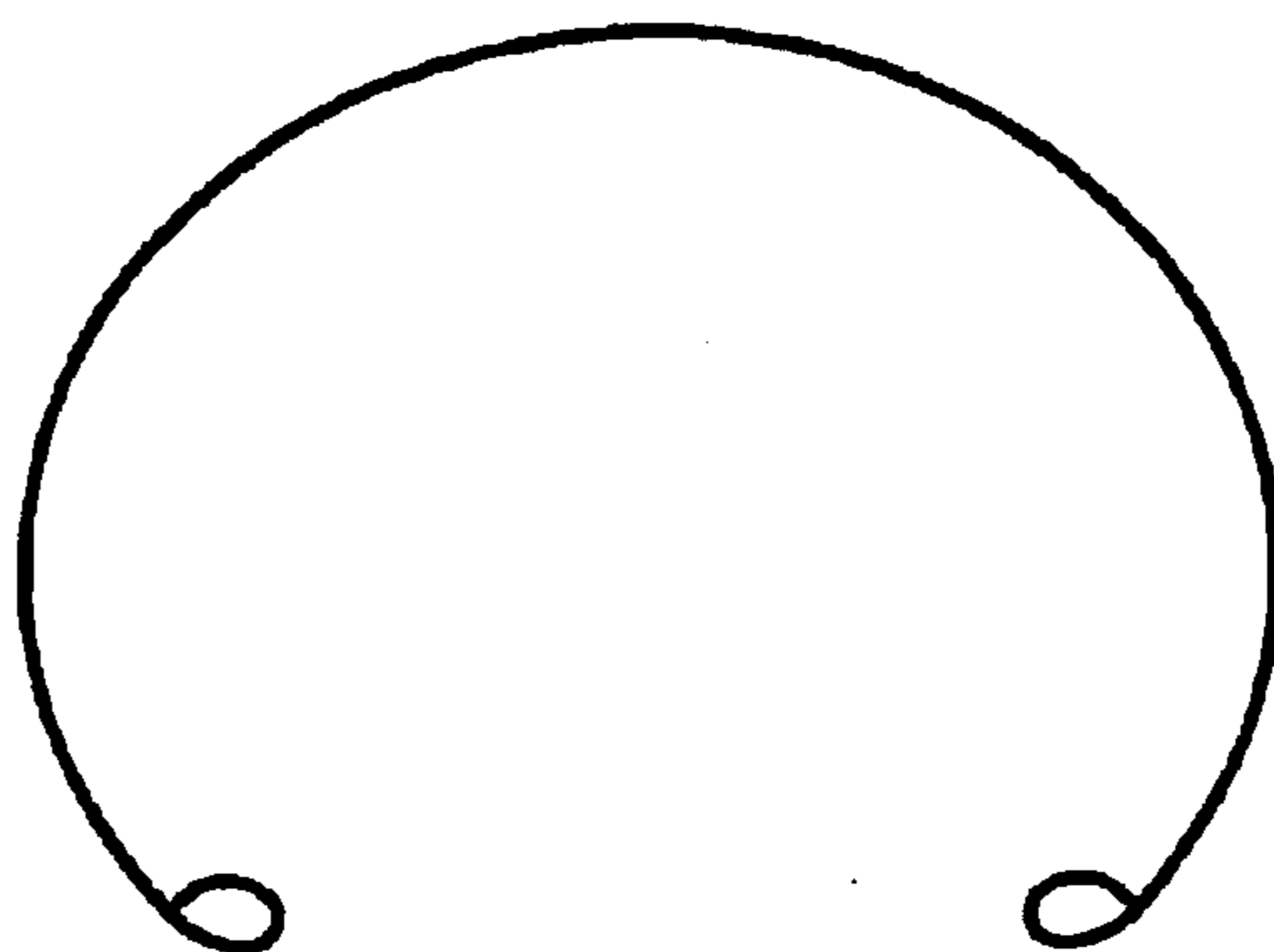


FIG. 10