



US00D532957S

(12) **United States Design Patent**  
**Hunter et al.**

(10) **Patent No.:** **US D532,957 S**

(45) **Date of Patent:** **\*\* Dec. 5, 2006**

(54) **REFLECTIVE CYCLING GLOVE**  
  
(76) Inventors: **Herbert E. Hunter**, 9010 Lilac Hill,  
Universal City, TX (US) 78148; **Rachel**  
**Hunter**, 9010 Lilac Hill, Universal  
City, TX (US) 78148

(\*\*) Term: **14 Years**

(21) Appl. No.: **29/222,632**

(22) Filed: **Feb. 3, 2005**

(51) **LOC (8) Cl.** ..... **02-06**

(52) **U.S. Cl.** ..... **D2/619**

(58) **Field of Classification Search** ..... D2/610,  
D2/615-623; D29/113, 117.1-119, 123; 2/16,  
2/20, 59, 158, 159; D24/190; D28/63; D30/158  
See application file for complete search history.

(56) **References Cited**

U.S. PATENT DOCUMENTS

1,630,730 A	5/1927	Daugherty	
1,966,822 A	4/1934	Lieb	
2,092,574 A	9/1937	Eddy	
3,638,011 A	1/1972	Bain et al.	
D323,910 S	* 2/1992	Pierce, Jr.	..... D29/113
D369,309 S	4/1996	Marbach	

5,580,154 A	* 12/1996	Coulter et al.	..... 2/160
5,898,942 A	5/1999	Anderson	
6,006,357 A	12/1999	Mead	
6,536,050 B1	* 3/2003	Hill	..... 2/161.6
6,539,550 B1	* 4/2003	Flores	..... 2/16
D515,781 S	* 2/2006	McCullough	..... D2/619

\* cited by examiner

*Primary Examiner*—Robert A. Delehanty

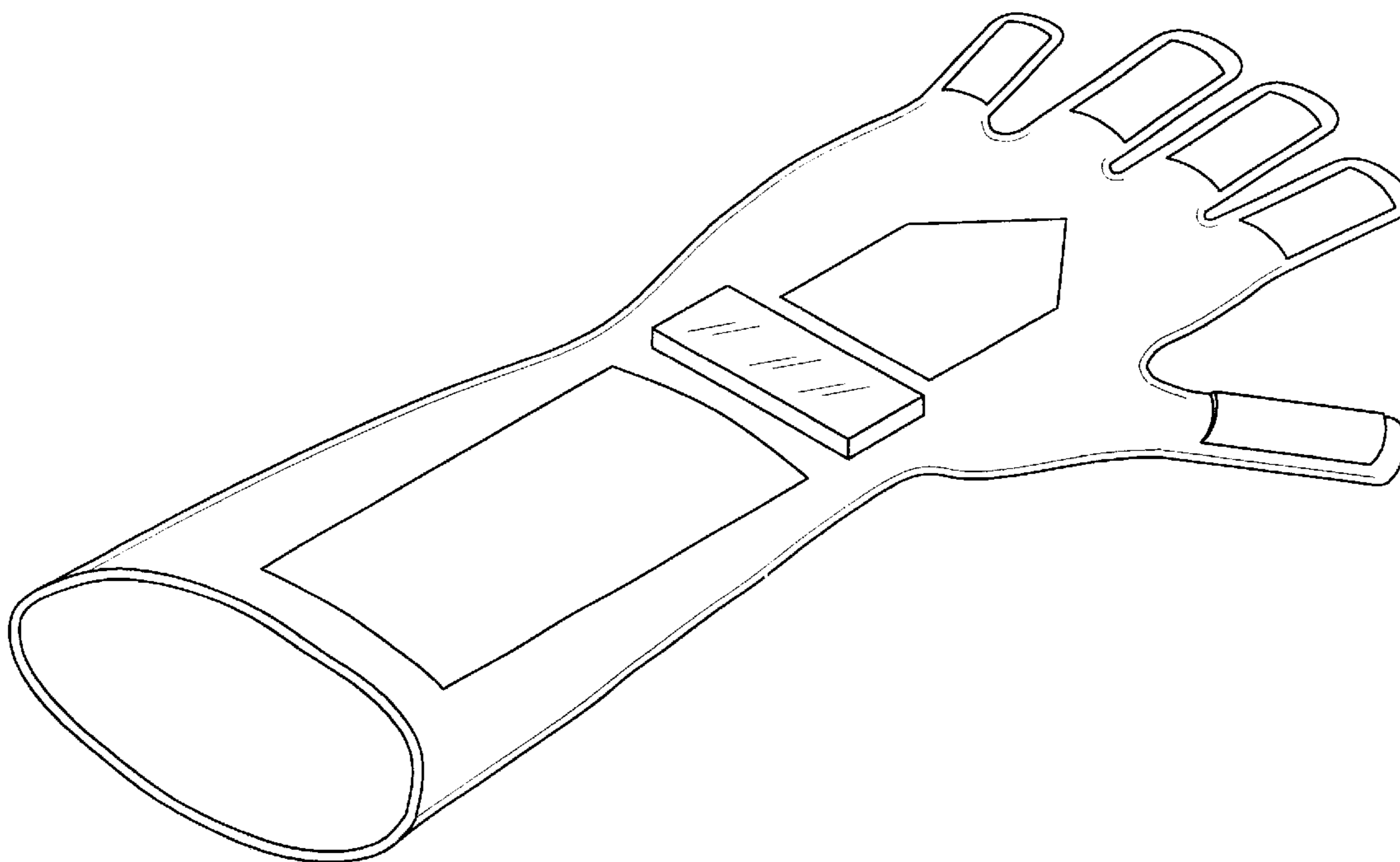
(57) **CLAIM**

The ornamental design for a reflective cycling glove, as shown and described.

**DESCRIPTION**

FIG. 1 is a top plan view of a reflective cycling glove showing our design;  
FIG. 2 is a bottom plan view thereof;  
FIG. 3 is a left side elevational view thereof;  
FIG. 4 is a right side elevational view thereof;  
FIG. 5 is a front elevational view thereof;  
FIG. 6 is a rear elevational view thereof; and,  
FIG. 7 is a perspective view thereof.  
The broken line showing of indicia is for illustrative purposes only and forms no part of the claimed design.

**1 Claim, 3 Drawing Sheets**



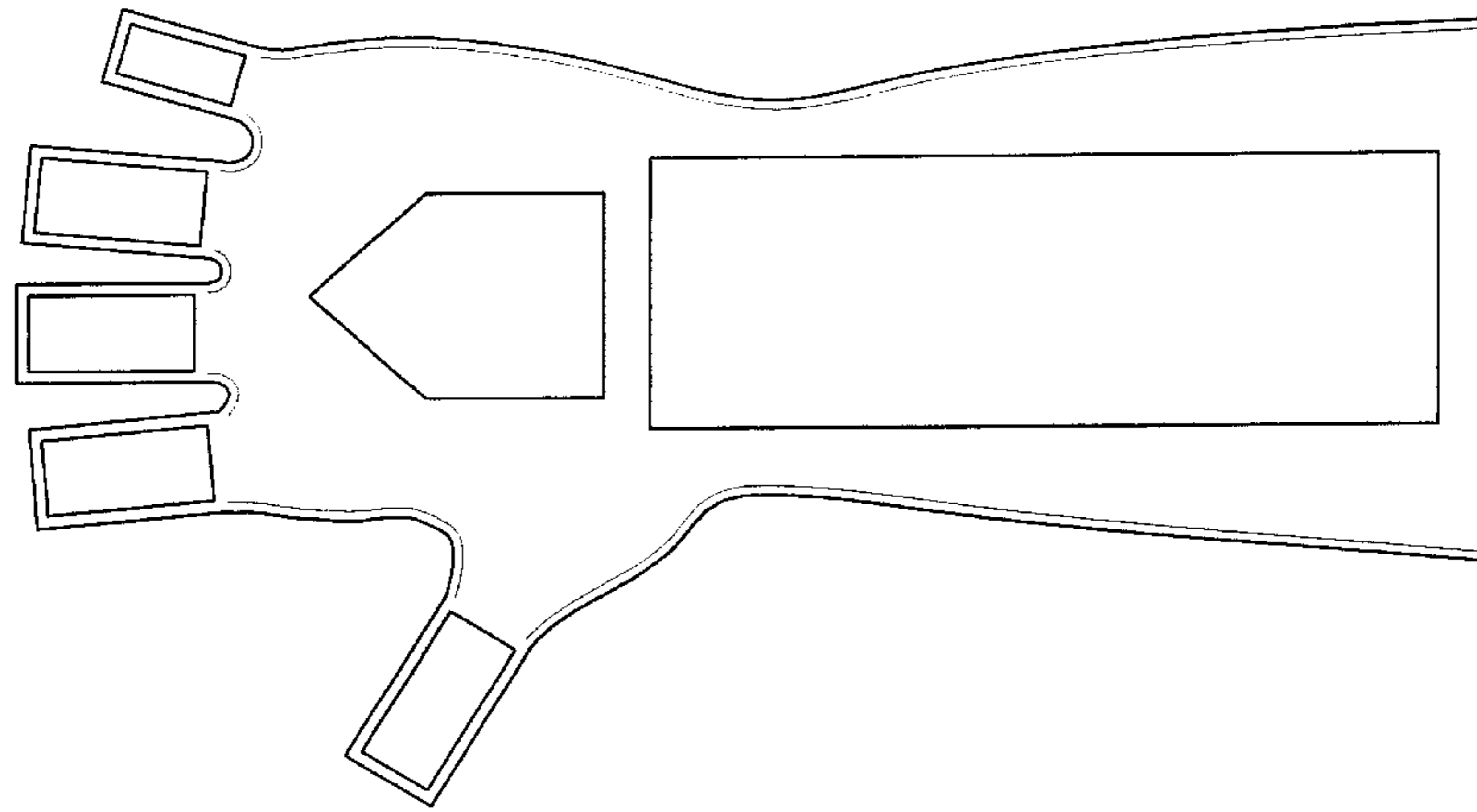


FIG.2

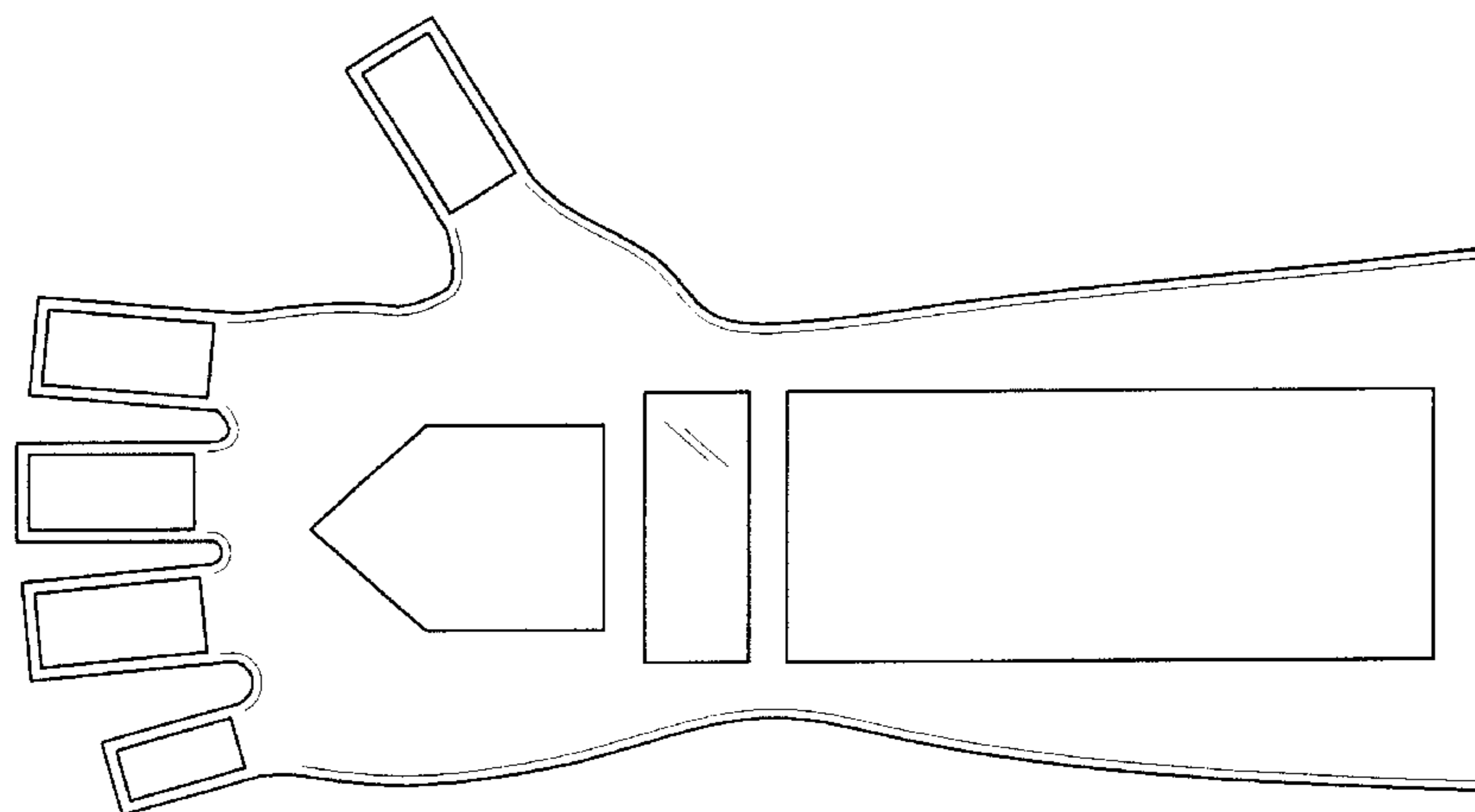


FIG.1

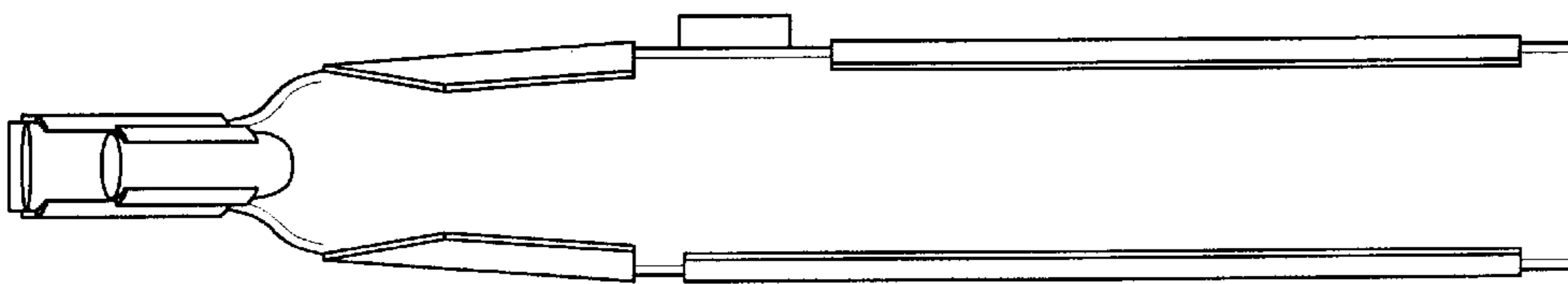


FIG. 3

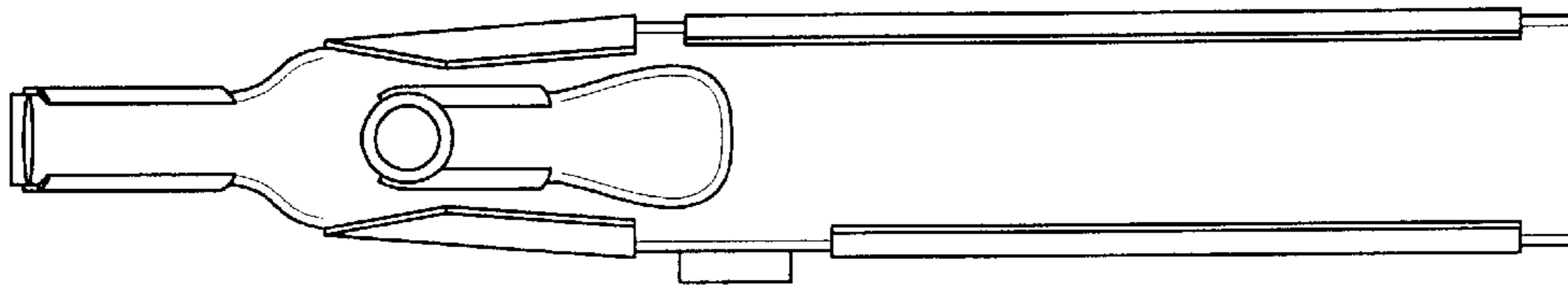


FIG. 4

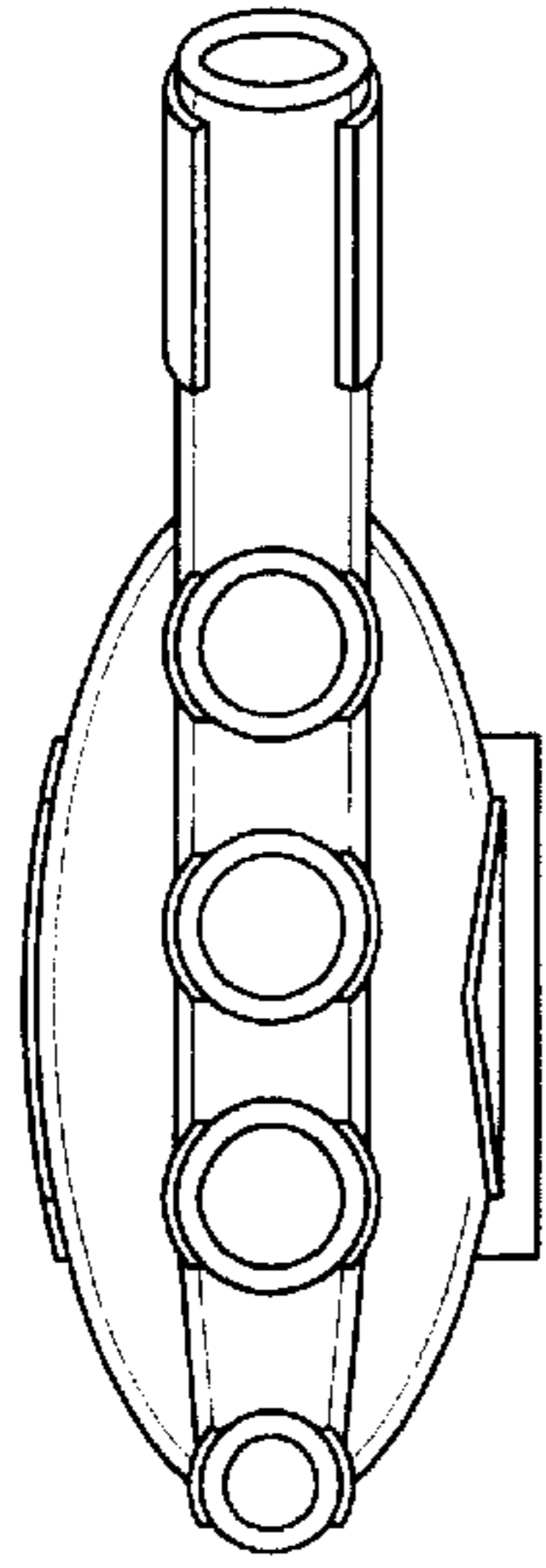


FIG. 5

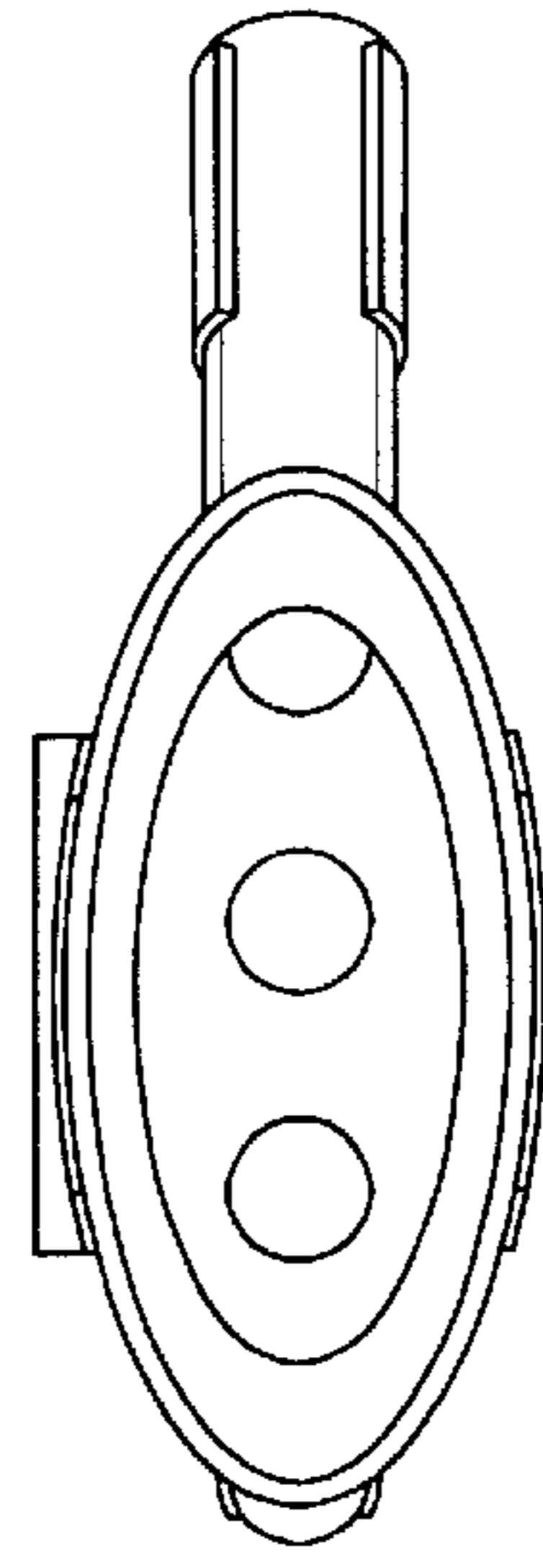


FIG. 6

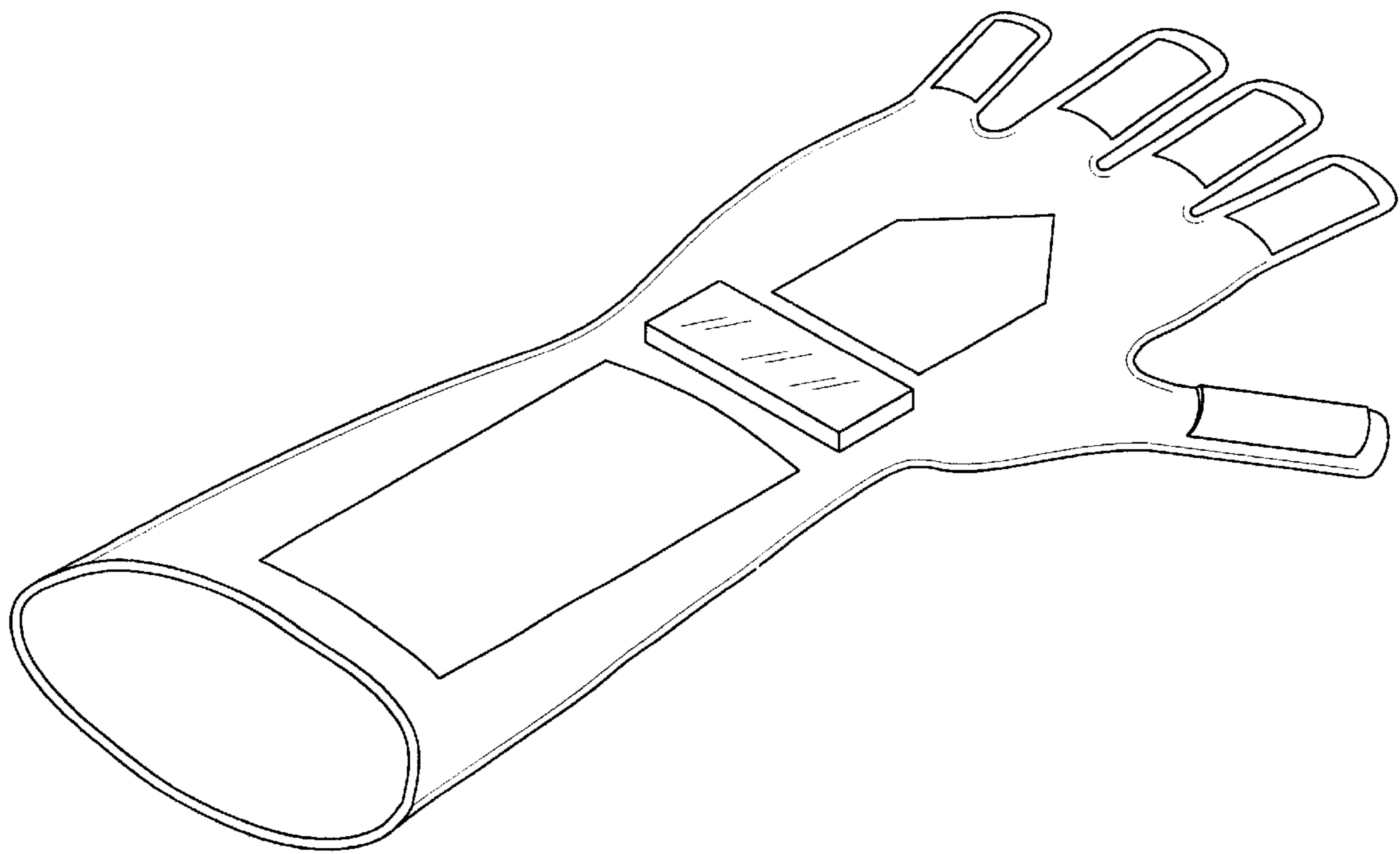


FIG.7