

US00D532948S

(12) **United States Design Patent**
Gillisie

(10) **Patent No.:** **US D532,948 S**

(45) **Date of Patent:** **** Nov. 28, 2006**

- (54) **DISH RACK**
- (75) Inventor: **Nicholas Gillisie**, Toronto (CA)
- (73) Assignee: **Umbra Inc.**, Buffalo, NY (US)
- (**) Term: **14 Years**
- (21) Appl. No.: **29/244,524**
- (22) Filed: **Dec. 9, 2005**
- (51) **LOC (8) Cl.** **07-05**
- (52) **U.S. Cl.** **D32/55**
- (58) **Field of Classification Search** D32/55-56,
D32/58; 4/637, 656; 211/41.2-41.4, 41.8-41.9,
211/85.25, 126.8-126.9, 181.1; 220/485,
220/487-488, 494, 572; D6/462
See application file for complete search history.

5,385,261 A	1/1995	Lippisch et al.
D397,534 S	8/1998	Alvarez
D408,603 S	4/1999	Haley
6,021,906 A *	2/2000	Heien 211/41.3
6,367,636 B1	4/2002	Walker
6,502,704 B1	1/2003	Martorella et al.
6,516,956 B1	2/2003	Martorella et al.
D473,359 S	4/2003	Joseph
6,543,069 B1	4/2003	Nelson
6,814,091 B1	11/2004	McConnell et al.
6,868,776 B1	3/2005	Stevenson et al.
2001/0040141 A1	11/2001	Martorella et al.
2004/0144738 A1	7/2004	Sampalo
2004/0238464 A1	12/2004	Cheung
2005/0236344 A1	10/2005	Yang et al.

FOREIGN PATENT DOCUMENTS

JP	06-078875	3/1994
JP	08-224204	9/1996
JP	2003-284671	10/2003

* cited by examiner

Primary Examiner—Pamela J. Burgess

(74) *Attorney, Agent, or Firm*—Simpson & Simpson, PLLC

(56) **References Cited**
U.S. PATENT DOCUMENTS

D164,197 S	8/1951	Planeta
D172,563 S	7/1954	Planeta
2,708,037 A	5/1955	Planeta
2,739,715 A	3/1956	Planeta
2,954,875 A	10/1960	Becker
3,032,203 A	5/1962	Romero
D212,301 S	9/1968	Taylor
3,442,395 A	5/1969	Taylor
D217,633 S	5/1970	Iorio
D221,678 S	8/1971	Gottsegen
D265,262 S	6/1982	Taylor
4,531,641 A	7/1985	Archambault
4,854,537 A	8/1989	Welch
5,119,943 A	6/1992	Hoang
5,158,184 A	10/1992	Craft et al.
D345,834 S	4/1994	Craft et al.
D353,921 S	12/1994	Lippisch et al.

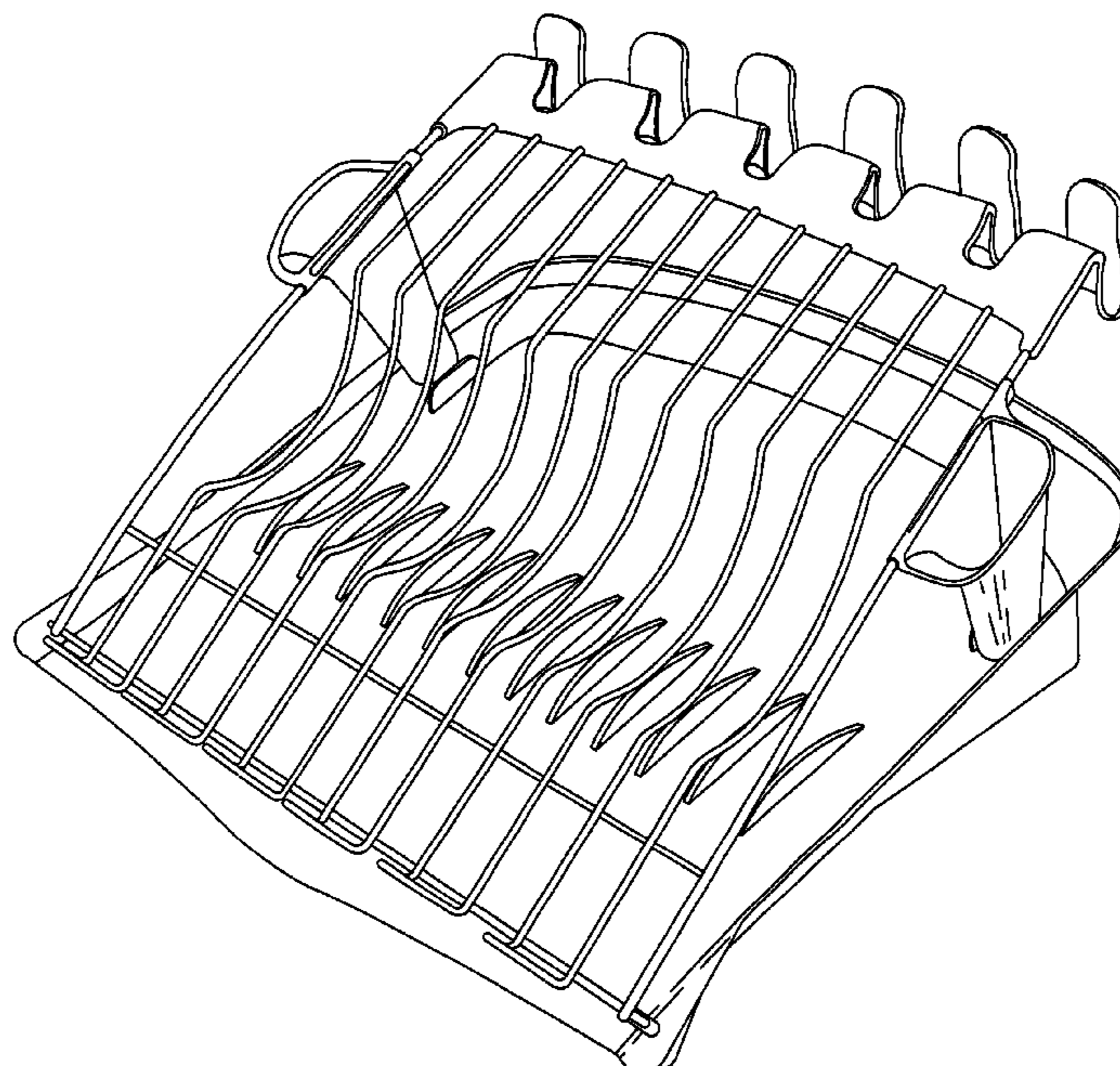
(57) **CLAIM**

The ornamental design for a dish rack, as described and shown in the various figures of the drawings.

DESCRIPTION

FIG. 1 is a perspective view of the dish rack of the invention; FIG. 2 is a top plan view of the dish rack; FIG. 3 is a bottom plan view of the dish rack; FIG. 4 is a left side view of the dish rack; FIG. 5 is a right side view of the dish rack; FIG. 6 is a front elevational view of the dish rack; and, FIG. 7 is a back elevational view of the dish rack.

1 Claim, 7 Drawing Sheets



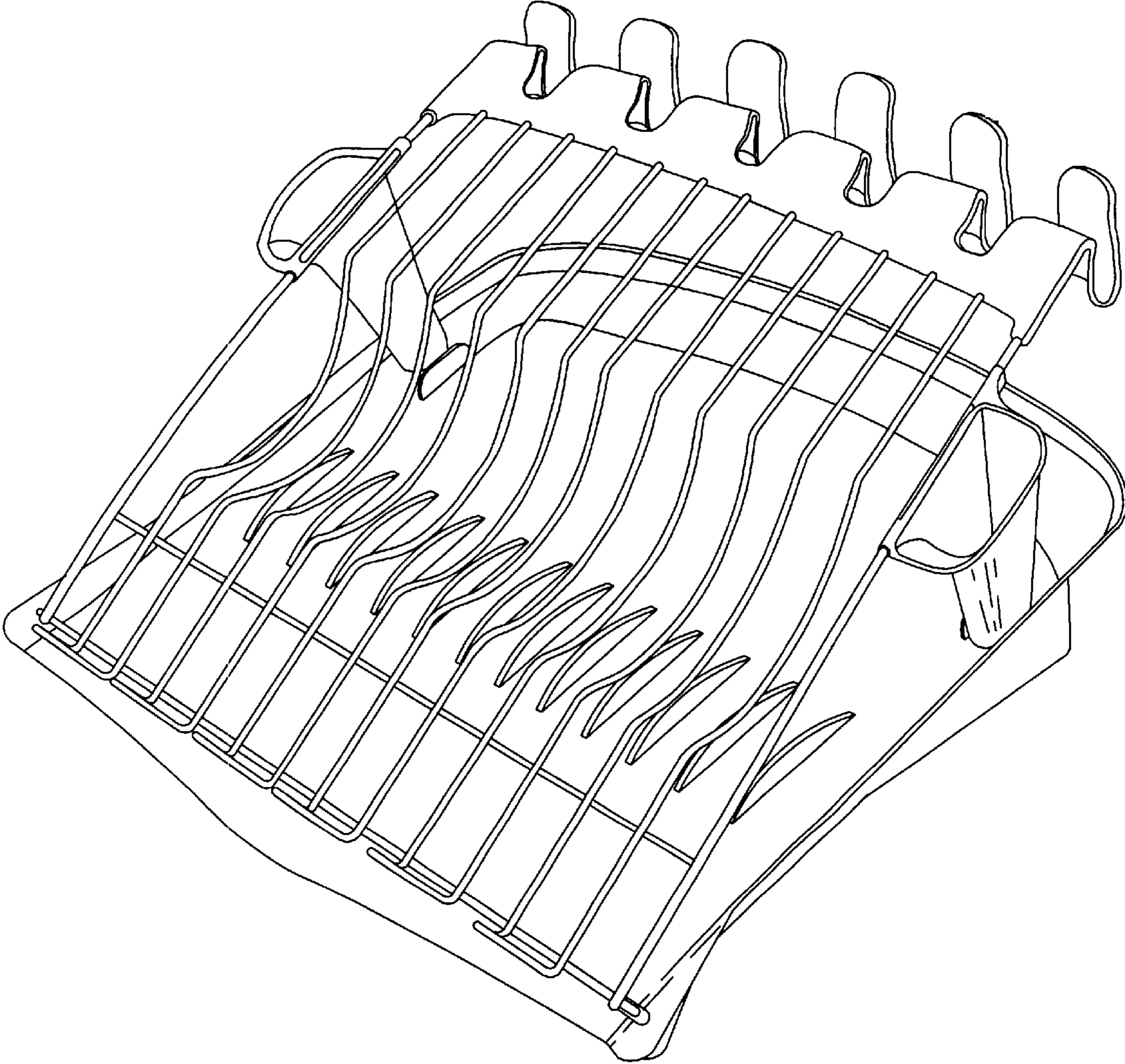


Fig. 1

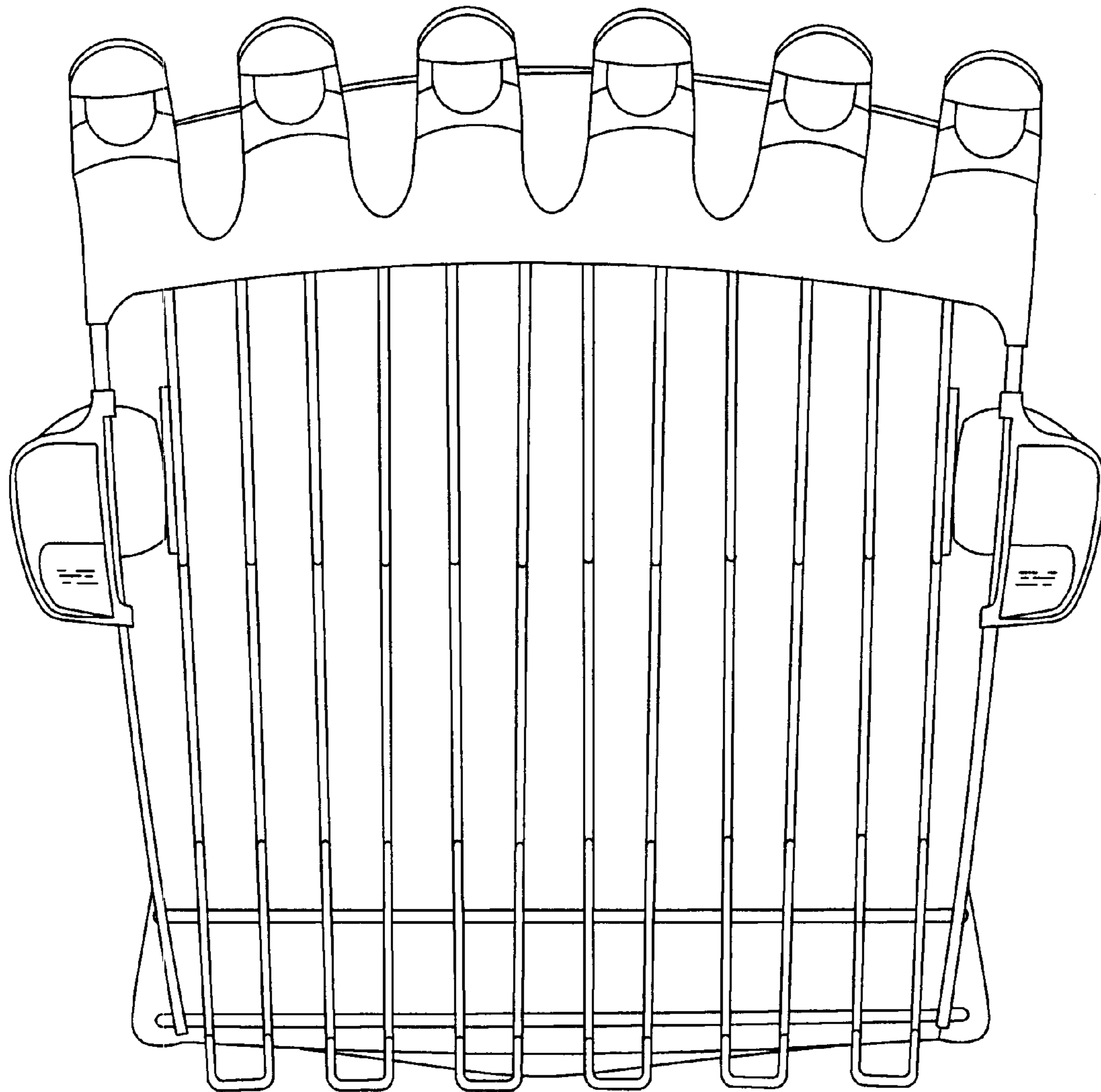


Fig. 2

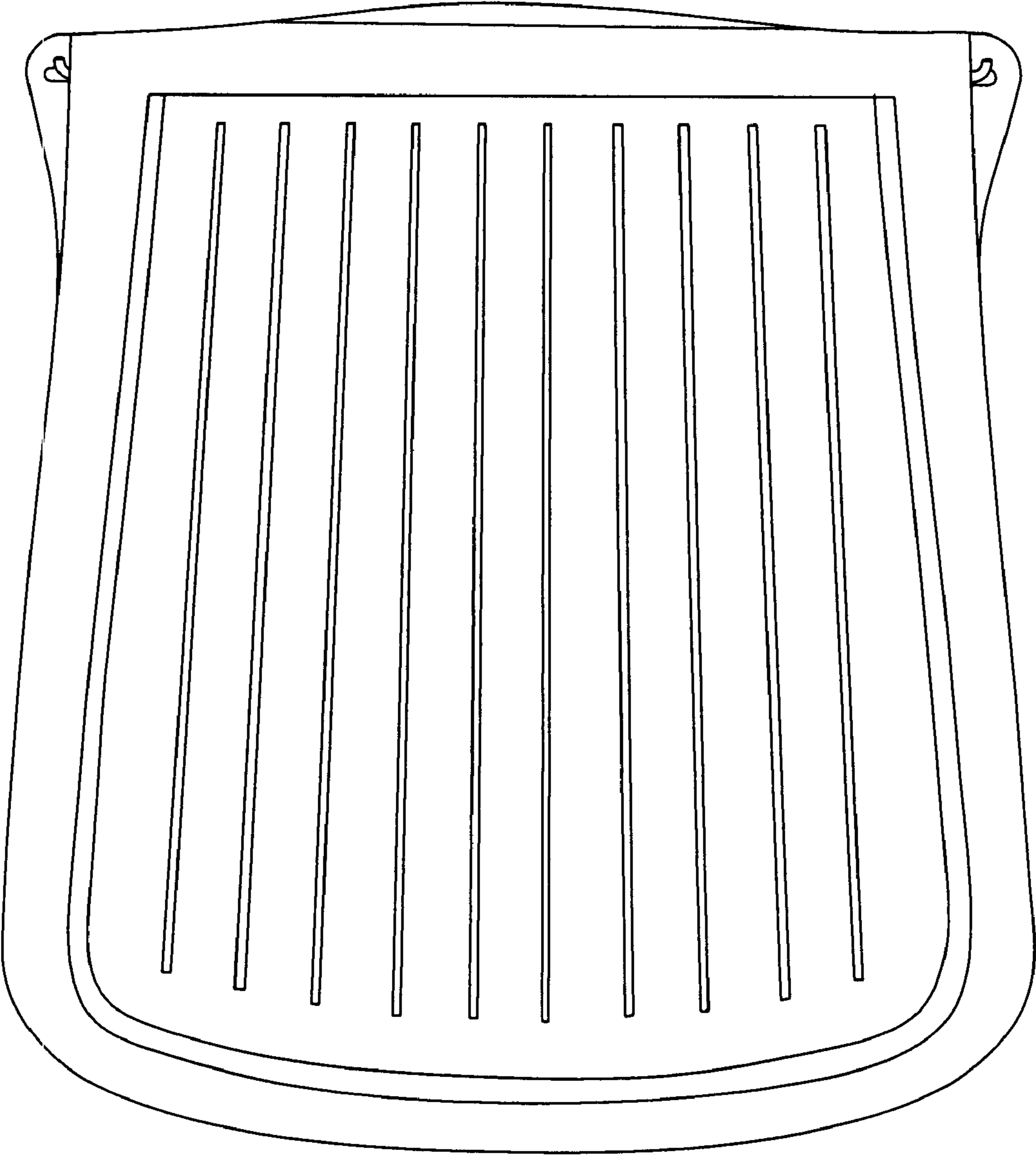


Fig. 3

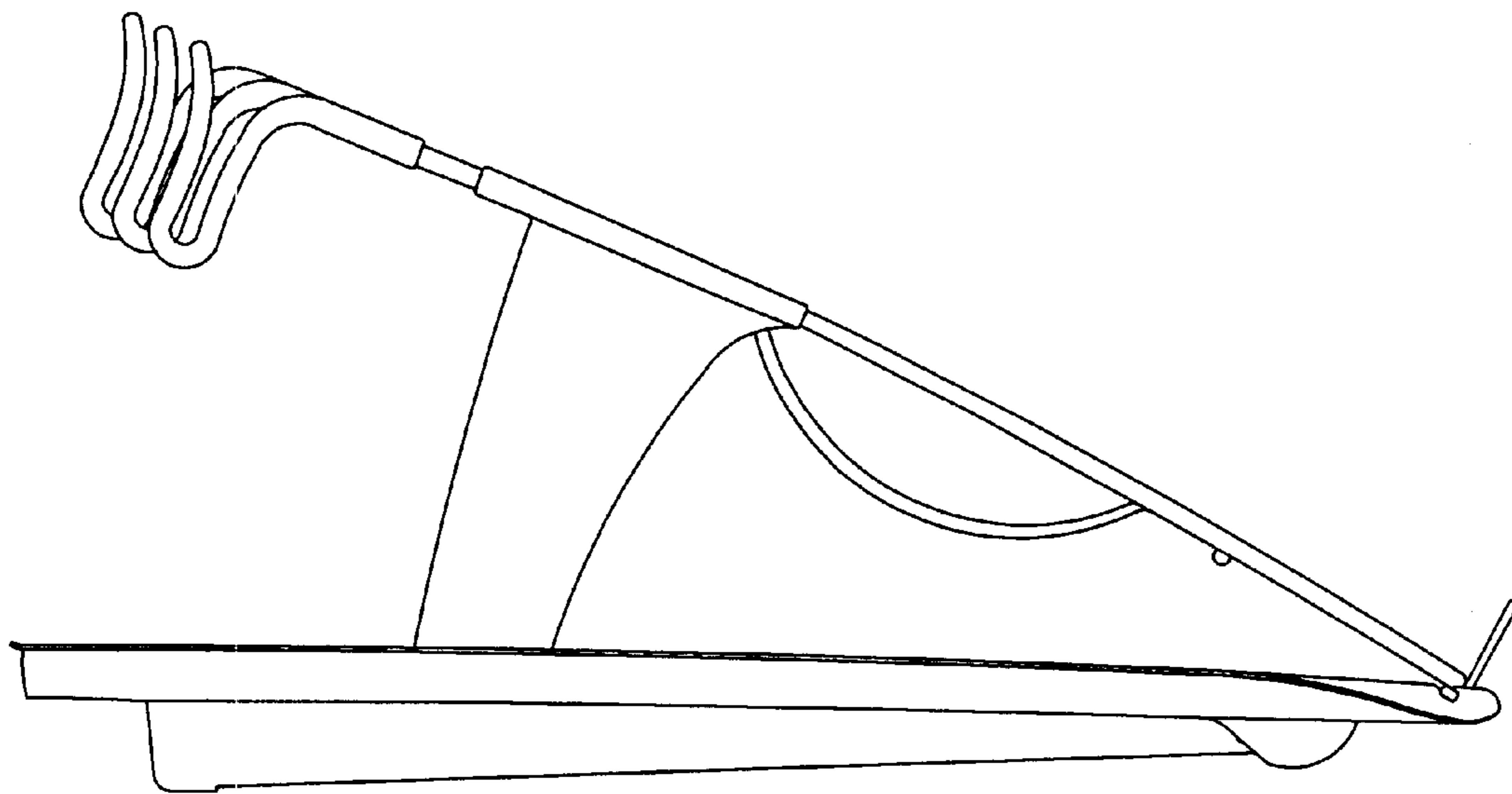


Fig. 4

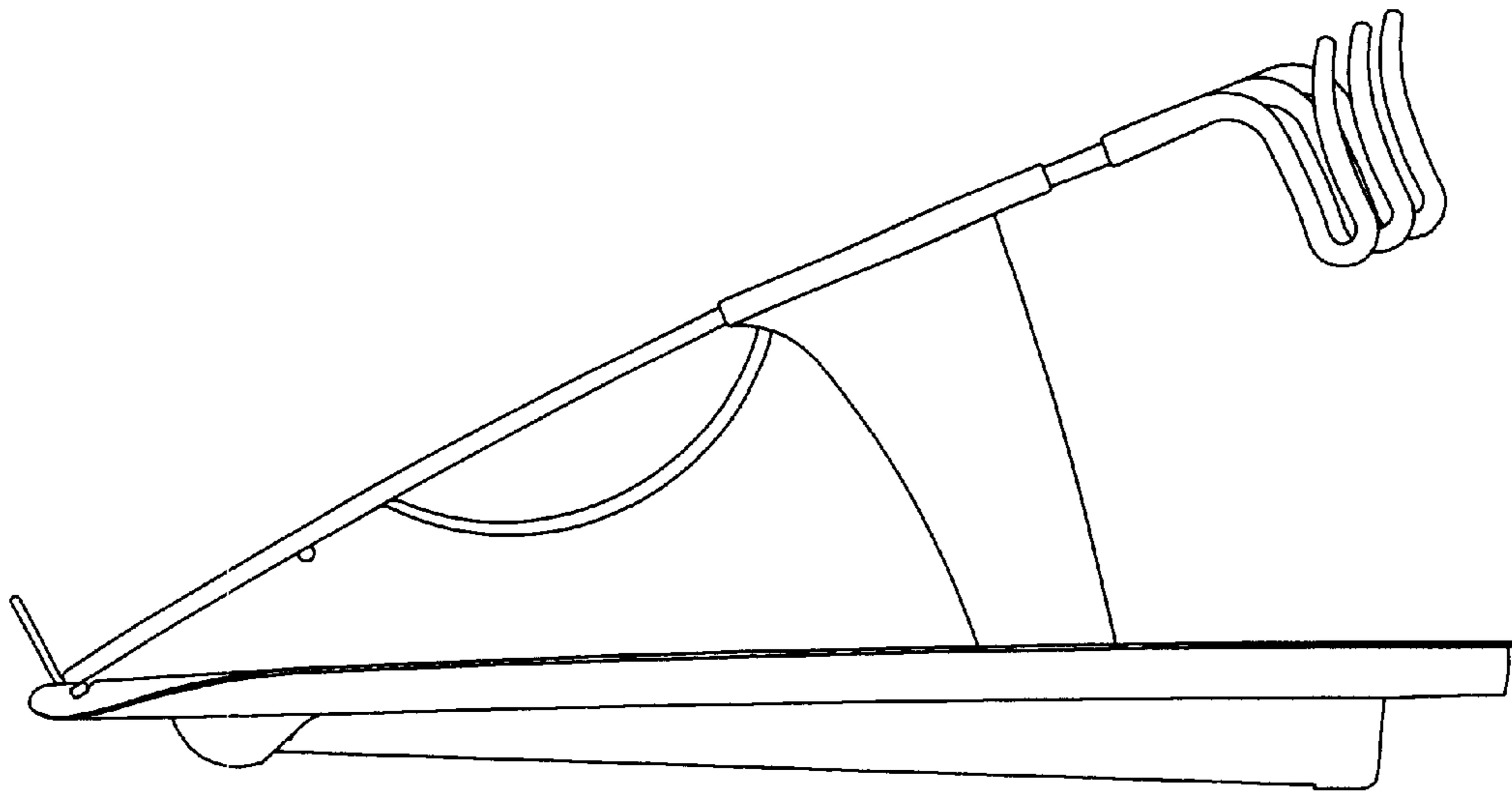


Fig. 5

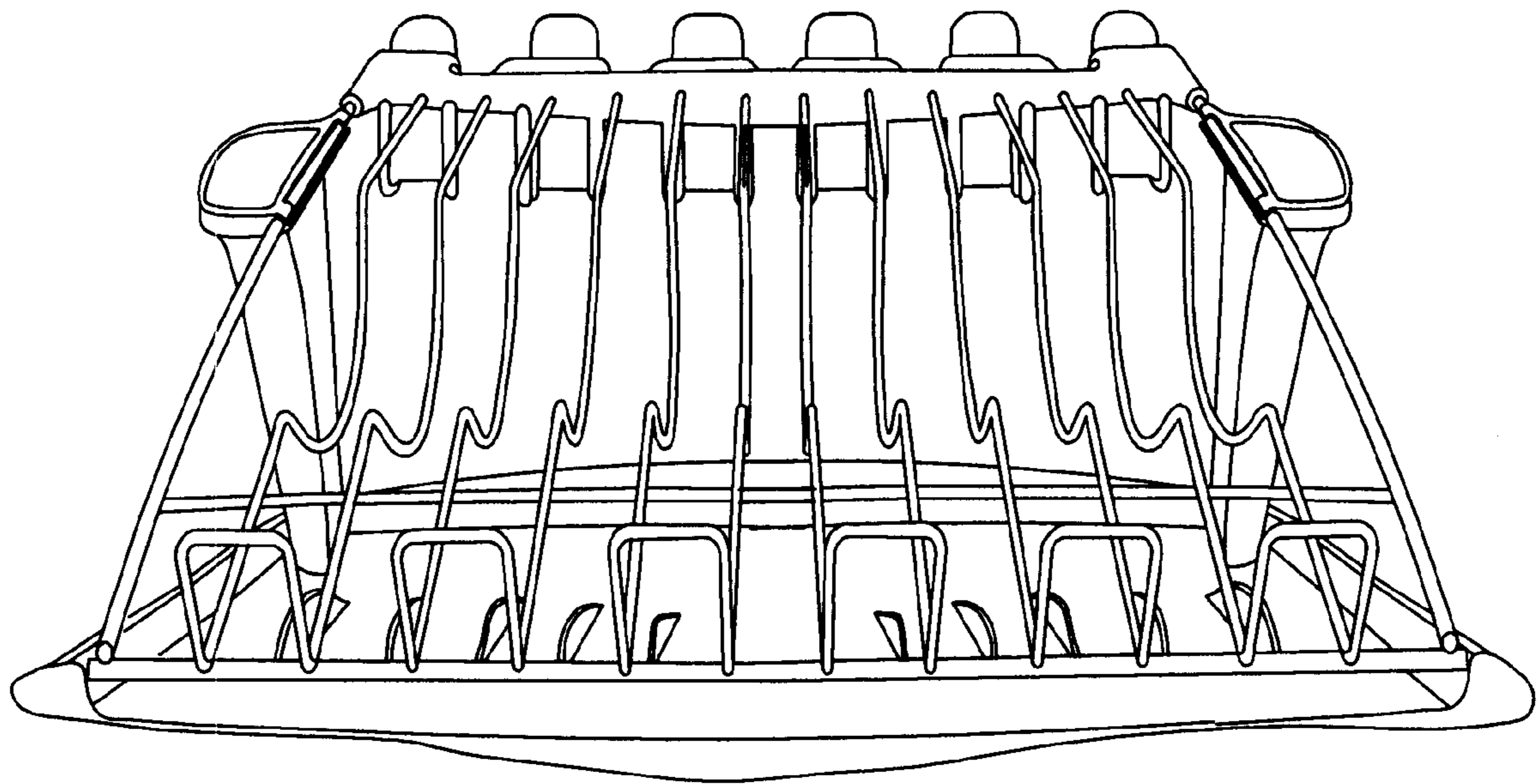


Fig. 6

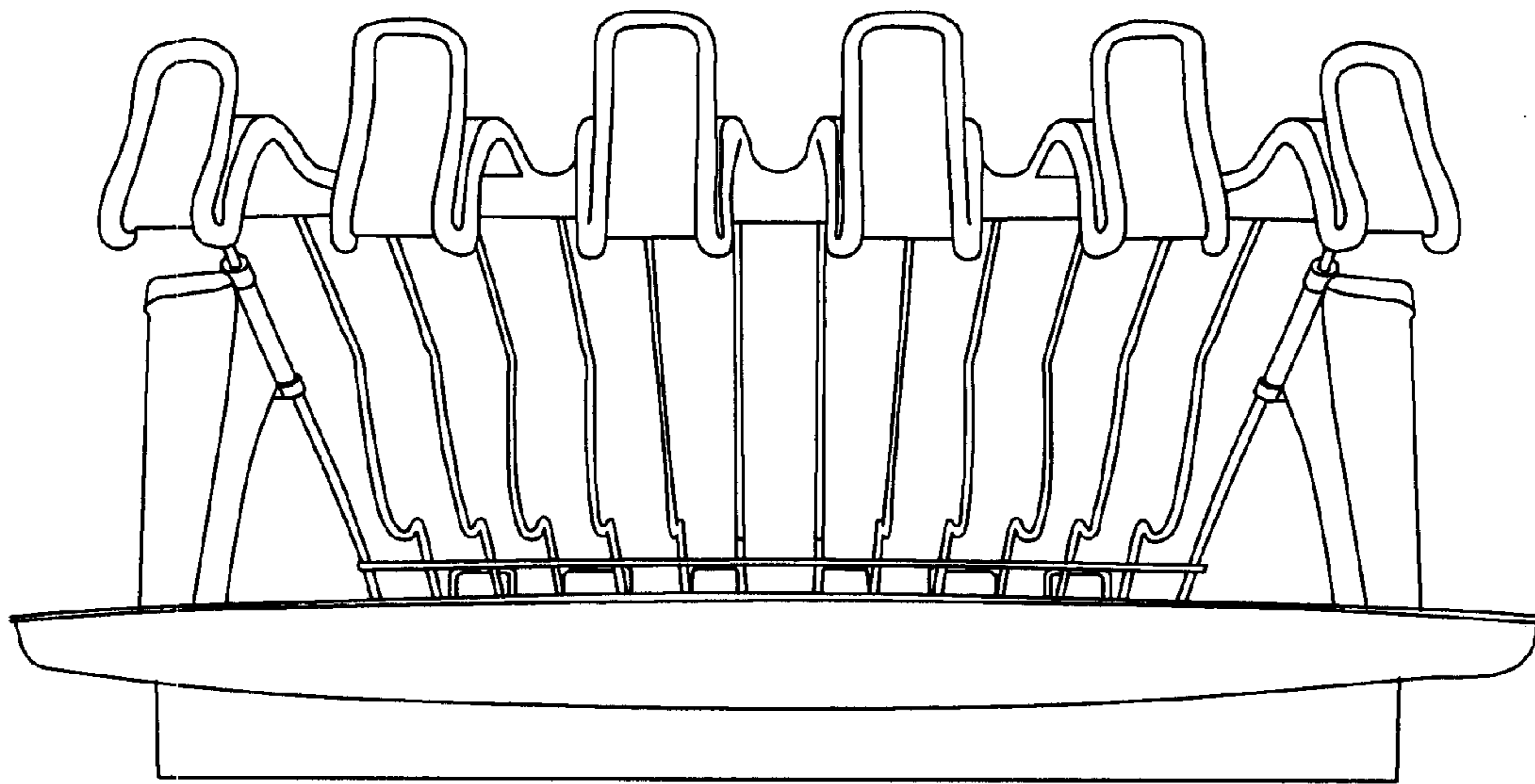


Fig. 7