



US00D532947S

(12) **United States Design Patent**
Muscarella

(10) **Patent No.:** **US D532,947 S**

(45) **Date of Patent:** **** Nov. 28, 2006**

(54) **HOSE COUPLING DEVICE FOR A VACUUM
CLEANER WITH RELEASABLE PUSH
BUTTON LOCKS**

(76) Inventor: **Sal Muscarella**, 13655 Stowe Dr.,
Poway, CA (US) 92064-6673

(**) Term: **14 Years**

(21) Appl. No.: **29/252,245**

(22) Filed: **Jan. 20, 2006**

(51) **LOC (8) Cl.** **15-05**

(52) **U.S. Cl.** **D32/25**

(58) **Field of Classification Search** D32/1,
D32/25, 5, 8, 31-33; 134/135; D23/262;
285/34; D13/133, 154

See application file for complete search history.

(56) **References Cited**

U.S. PATENT DOCUMENTS

D195,540 S	*	6/1963	Knight	D23/262
D267,506 S	*	1/1983	Evans	D23/262
D283,342 S	*	4/1986	Tisserat et al.	D23/262
D327,314 S	*	6/1992	Hayes	D23/262

D418,210 S	*	12/1999	Roesch	D23/262
D458,352 S	*	6/2002	Chen	D23/262
D458,904 S	*	6/2002	Montena	D13/154
D460,740 S	*	7/2002	Montena	D13/154
D460,947 S	*	7/2002	Montena	D13/154

* cited by examiner

Primary Examiner—Louis S. Zarfes

Assistant Examiner—Kathleen Sims

(74) *Attorney, Agent, or Firm*—Willie Krawitz

(57) **CLAIM**

The ornamental design for hose coupling device for a vacuum cleaner with releasable push button locks, as shown and described.

DESCRIPTION

FIG. 1 is a perspective view of hose coupling device for a vacuum cleaner with releasable push button locks, showing my design;

FIG. 2 is a front end view thereof;

FIG. 3 is a top plan view thereof; and,

FIG. 4 is a side view thereof.

1 Claim, 2 Drawing Sheets

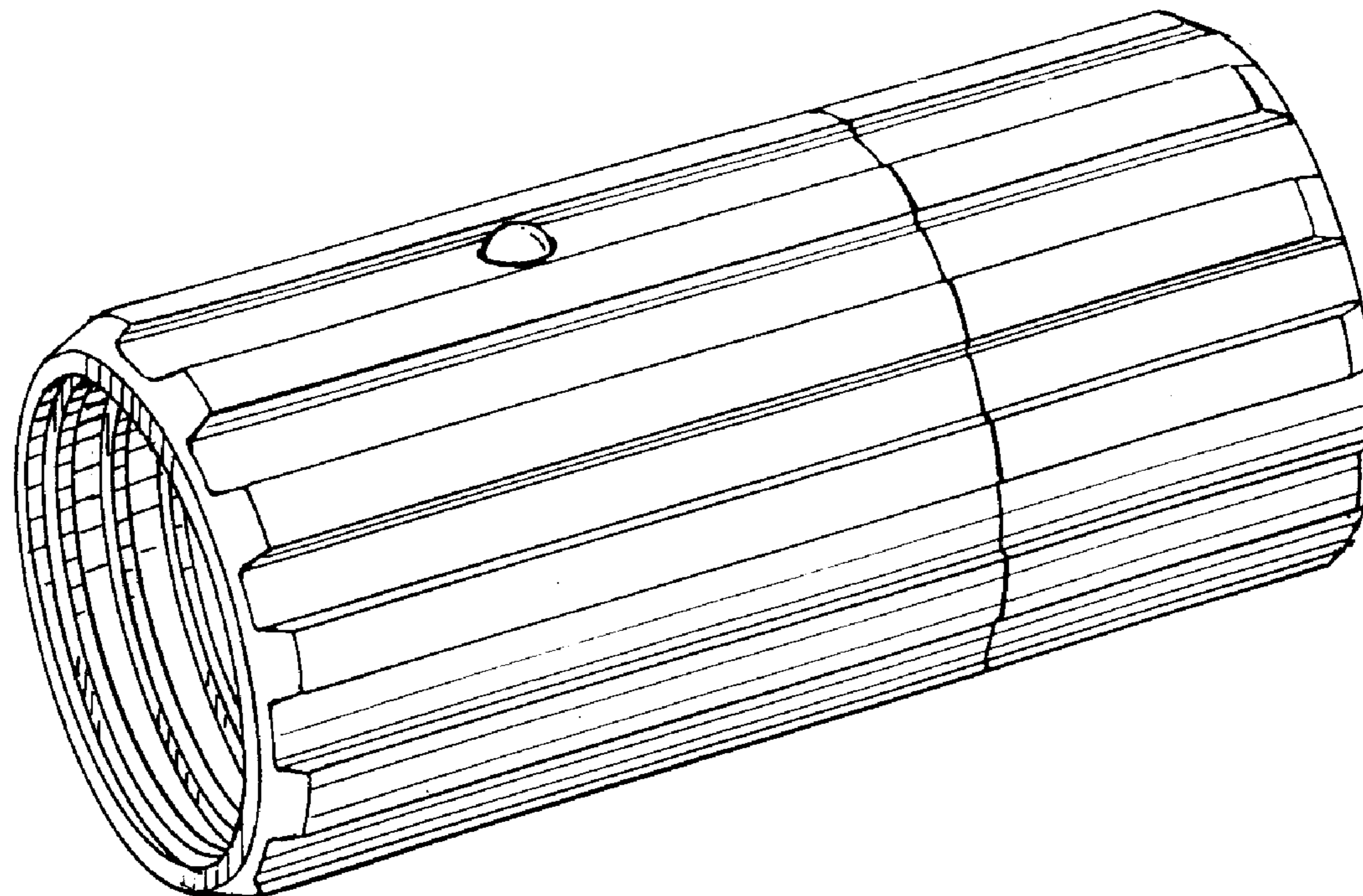


FIG. 1

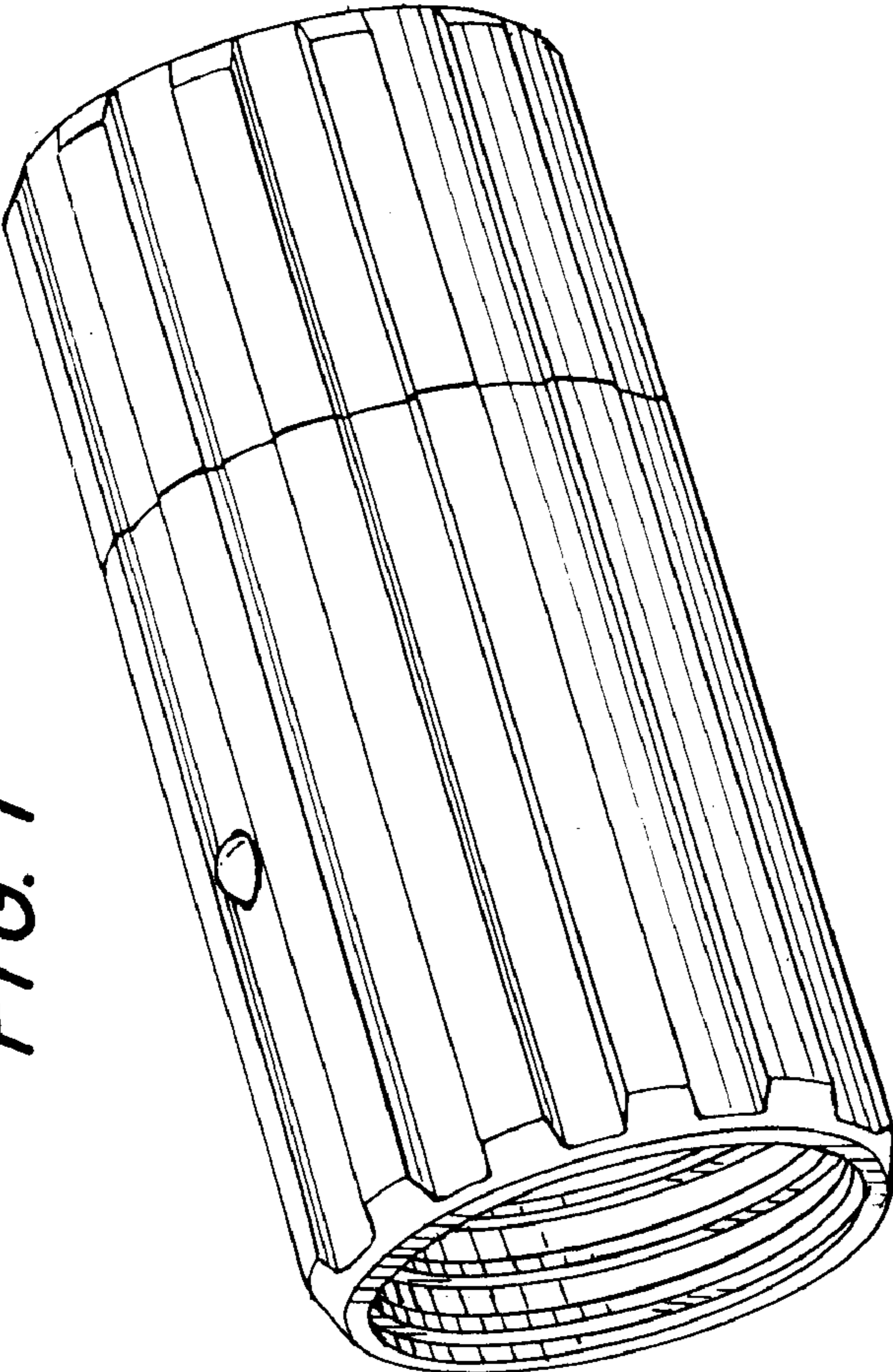


FIG. 2

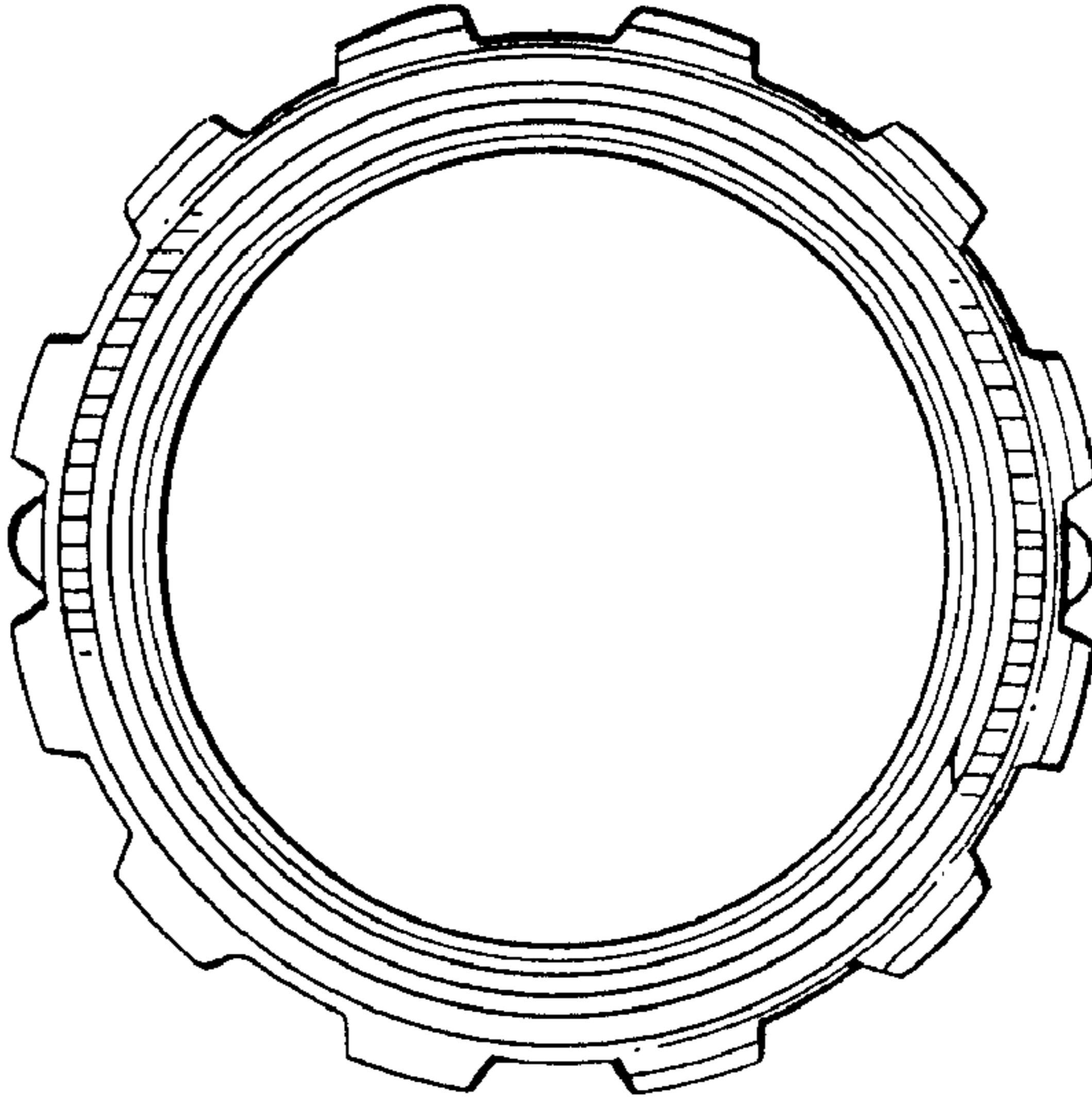


FIG. 3

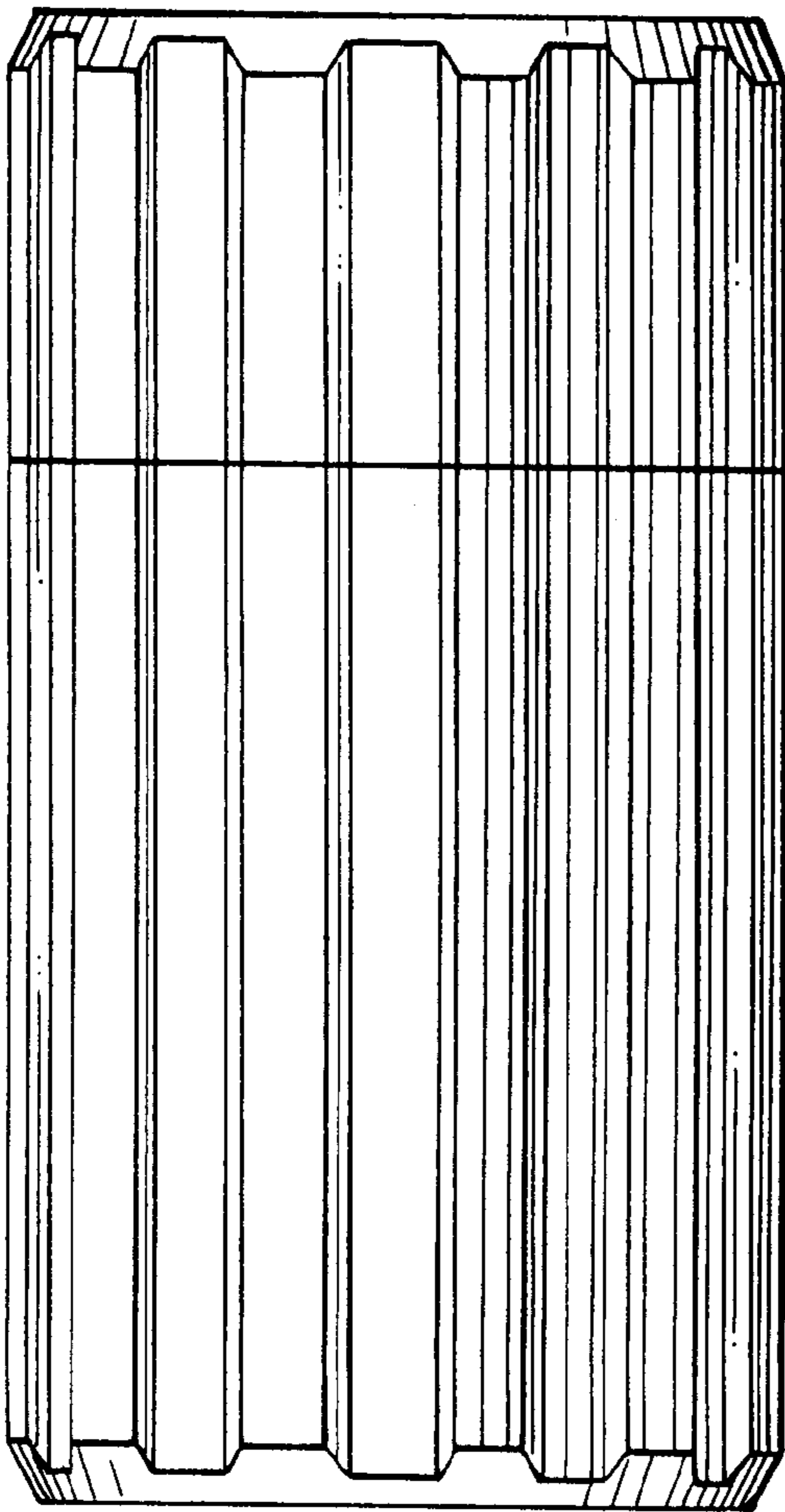


FIG. 4

