

US00D532946S

(12) **United States Design Patent** (10) **Patent No.:** **US D532,946 S**
Gansebom et al. (45) **Date of Patent:** **** Nov. 28, 2006**

(54) **CLEANING ATTACHMENT FOR A PRESSURE WASHER**
(75) Inventors: **Neil Gansebom**, Madison, WI (US); **Claudio Carpanese**, Rovolon (IT)
(73) Assignee: **Briggs & Stratton Power Products Group, LLC**, Jefferson, WI (US)
(**) Term: **14 Years**

5,253,809 A 10/1993 Poppitz et al.
5,265,805 A 11/1993 Artenian
5,331,713 A 7/1994 Tipton
5,469,597 A 11/1995 Page
5,500,976 A 3/1996 Rohrbacher et al.
5,501,396 A 3/1996 Rohrbacher et al.
5,601,659 A 2/1997 Rohrbacher
5,704,989 A 1/1998 Page

(Continued)

(21) Appl. No.: **29/243,453**
(22) Filed: **Nov. 23, 2005**

(51) **LOC (8) Cl.** **15-05**
(52) **U.S. Cl.** **D32/25**
(58) **Field of Classification Search** 15/246.5, 15/321, 353, 347, 256.52, 320, 415.1, 422, 15/345, 406; D10/104, 106; D32/1, 15, 25, D32/31-33, 35, 40; D23/358, 363, 365, 386, D23/390

See application file for complete search history.

FOREIGN PATENT DOCUMENTS

JP 11113822 4/1999
JP 2001149871 6/2001
WO WO 9800239 1/1998

OTHER PUBLICATIONS

Clean Like A Pro With The Deckmaster, Heffco Corporation.

Primary Examiner—Louis S. Zarfes
Assistant Examiner—Kathleen Sims
(74) *Attorney, Agent, or Firm*—Michael Best & Friedrich, LLP

(56) **References Cited**

U.S. PATENT DOCUMENTS

371,515 A 10/1887 Nowotny
2,616,355 A * 11/1952 McCabe et al. 454/312
2,911,157 A 11/1959 Converse
3,433,417 A 3/1969 Poppitz
D217,572 S * 5/1970 Creelman D14/126
3,748,050 A 7/1973 Poppitz
3,829,019 A 8/1974 Petsch
3,832,069 A 8/1974 Petsch
3,940,826 A 3/1976 Phillips et al.
3,959,010 A 5/1976 Thompson et al.
4,107,816 A 8/1978 Matthews
4,157,096 A 6/1979 Miller, Jr.
4,191,589 A 3/1980 Halls et al.
4,194,263 A 3/1980 Herpers et al.
4,200,236 A 4/1980 Briar
4,420,005 A 12/1983 Armstrong
D317,819 S * 6/1991 Sello D23/390
D318,545 S * 7/1991 Calnin D32/35
5,134,748 A 8/1992 Lynn

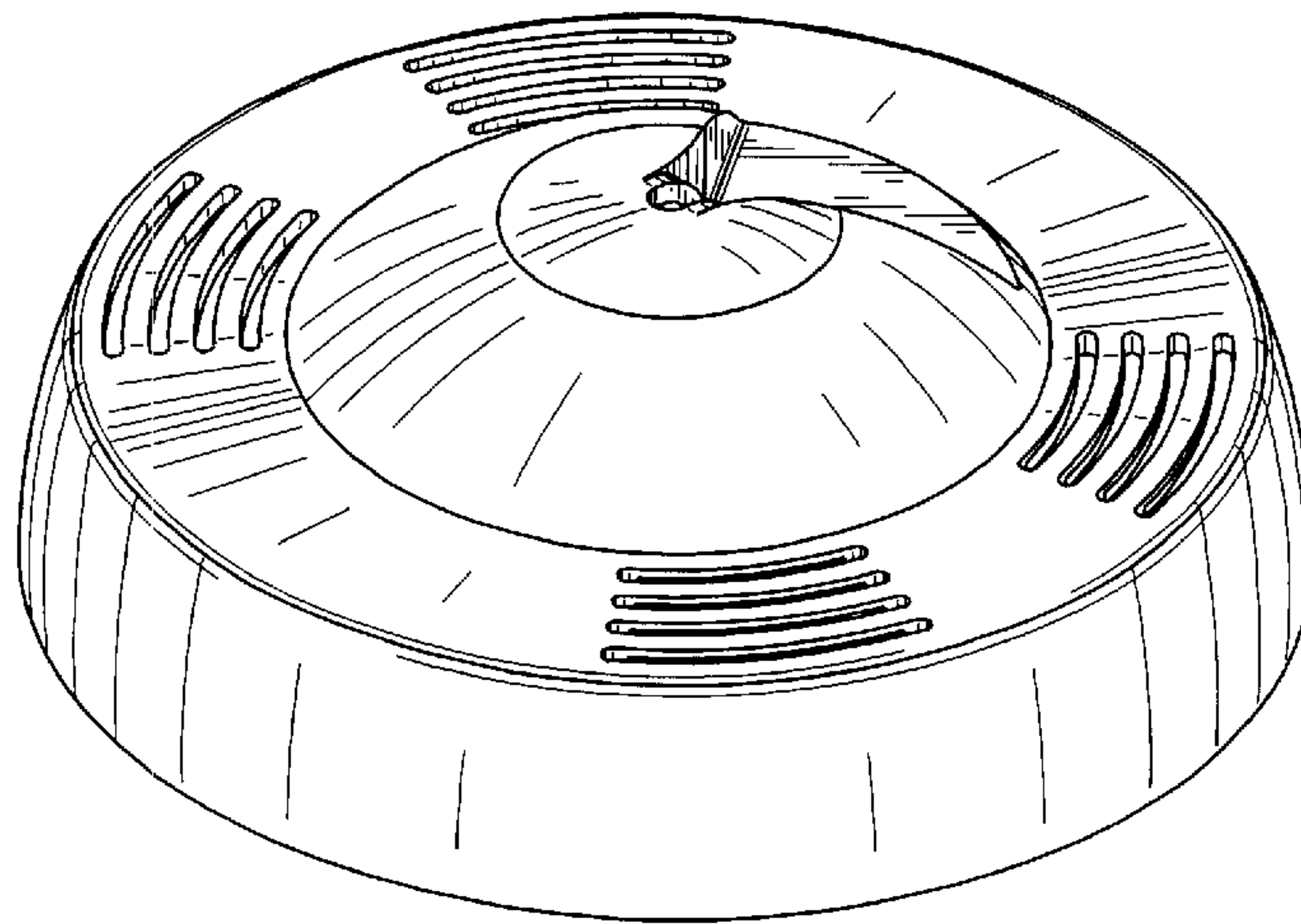
(57) **CLAIM**

We claim the ornamental design for a cleaning attachment for a pressure washer, as shown and described.

DESCRIPTION

FIG. 1 is a perspective view of a cleaning attachment for a pressure washer;
FIG. 2 is a front view of the cleaning attachment of FIG. 1;
FIG. 3 is a rear view of the cleaning attachment of FIG. 1;
FIG. 4 is a right side view of the cleaning attachment of FIG. 1;
FIG. 5 is a left side view of the cleaning attachment of FIG. 1;
FIG. 6 is a top view of the cleaning attachment of FIG. 1;
and,
FIG. 7 is a bottom view of the cleaning attachment of FIG. 1.

1 Claim, 4 Drawing Sheets



US D532,946 S

Page 2

U.S. PATENT DOCUMENTS

5,718,015 A	2/1998	Rohrbacher et al.	D460,169 S *	7/2002	Anderson et al.	D23/365
5,797,157 A *	8/1998	Gregg	6,514,354 B1	2/2003	Rohrbacher et al.	
D399,157 S *	10/1998	Hsu et al.	D471,971 S *	3/2003	Hurlstone et al.	D23/386
5,826,298 A	10/1998	Rohrbacher et al.	D505,632 S *	5/2005	Johnson et al.	D10/106
6,267,308 B1	7/2001	Hall	2003/0071142 A1	4/2003	Pohorecki	
6,302,967 B1	10/2001	Rohrbacher et al.	2004/0265043 A1	12/2004	Palme	

* cited by examiner

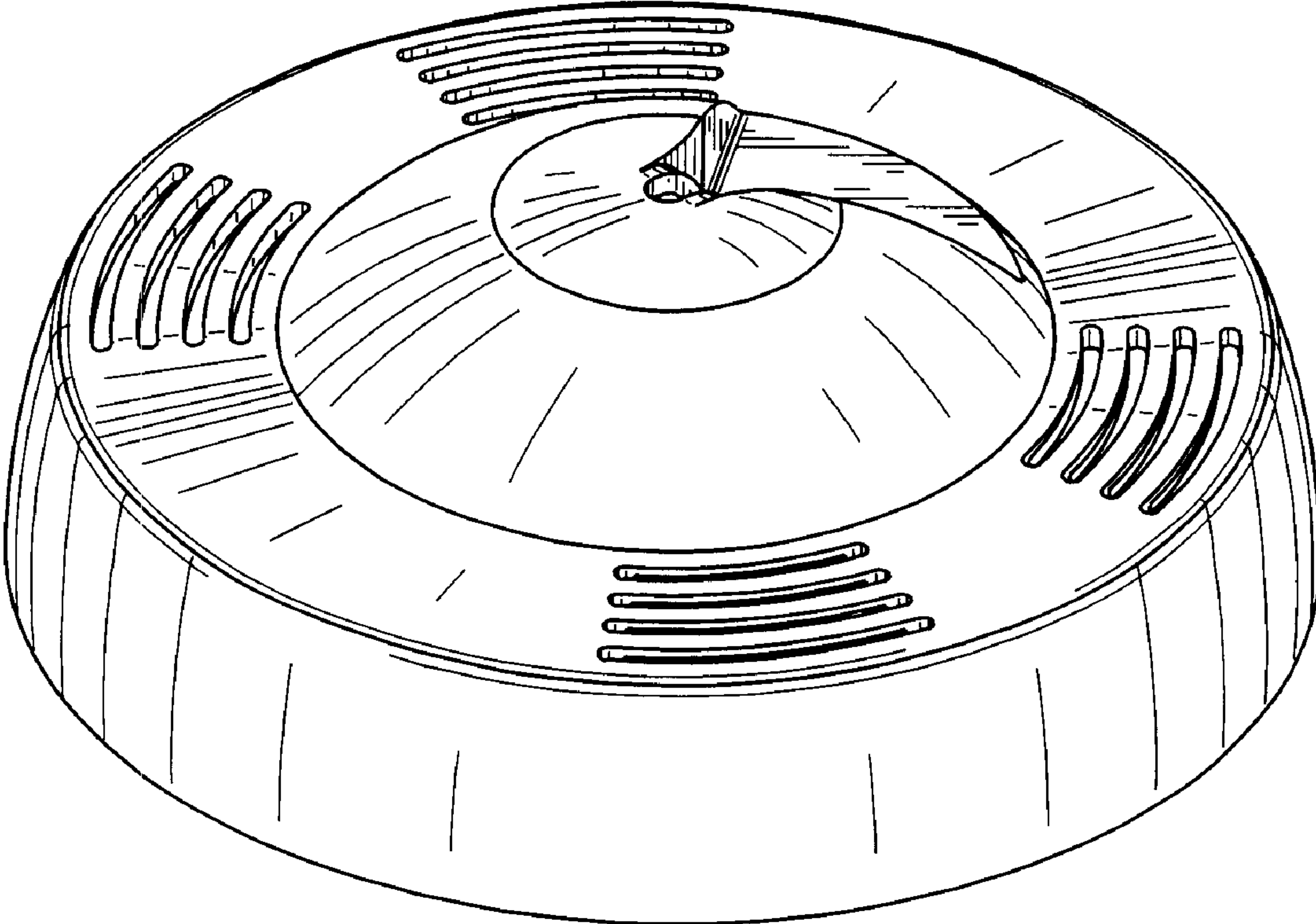


FIG. 1

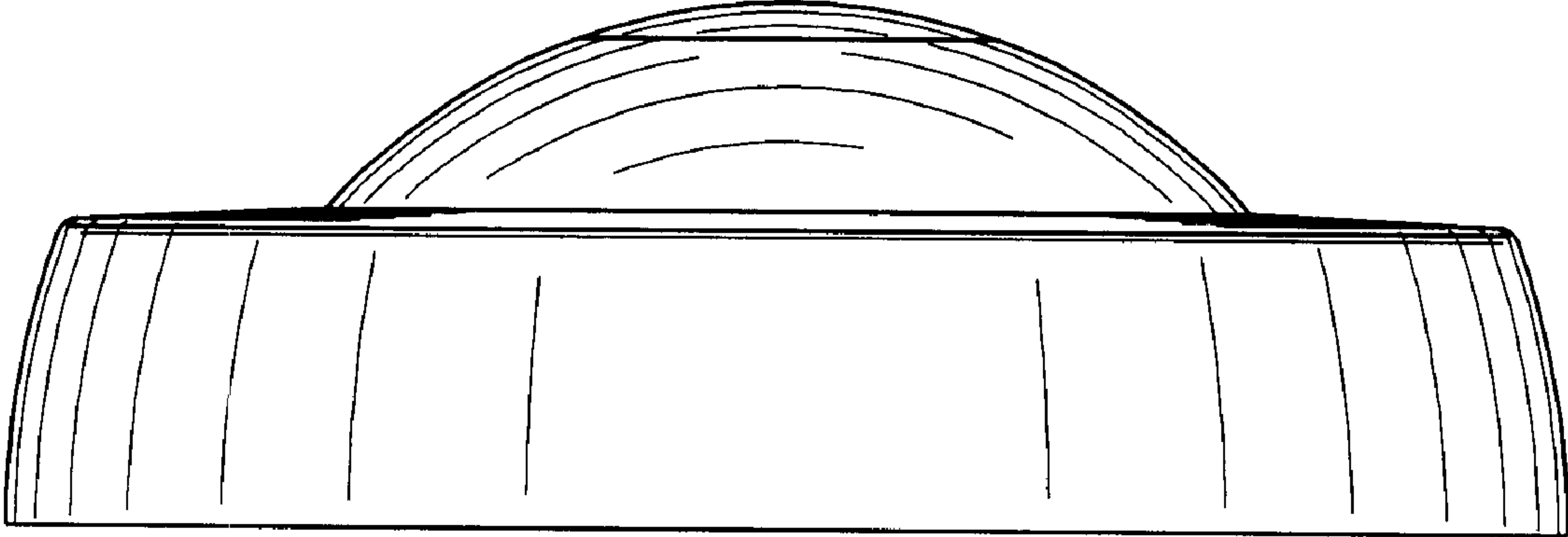


FIG. 2

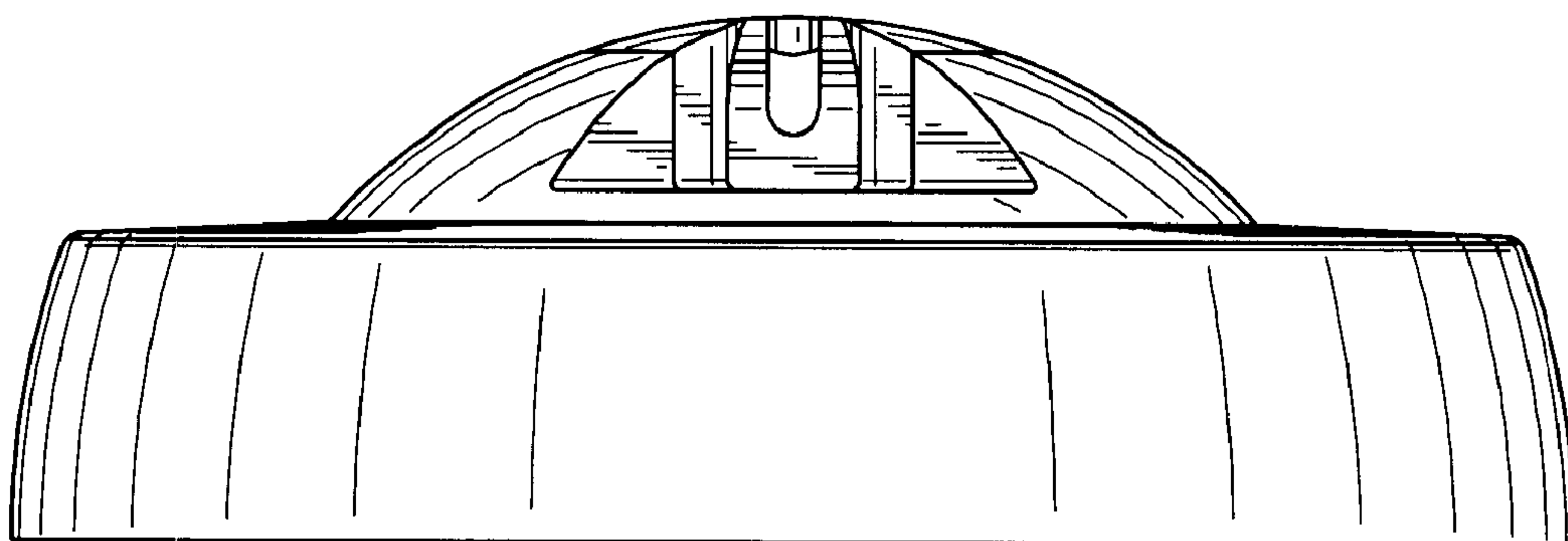


FIG. 3

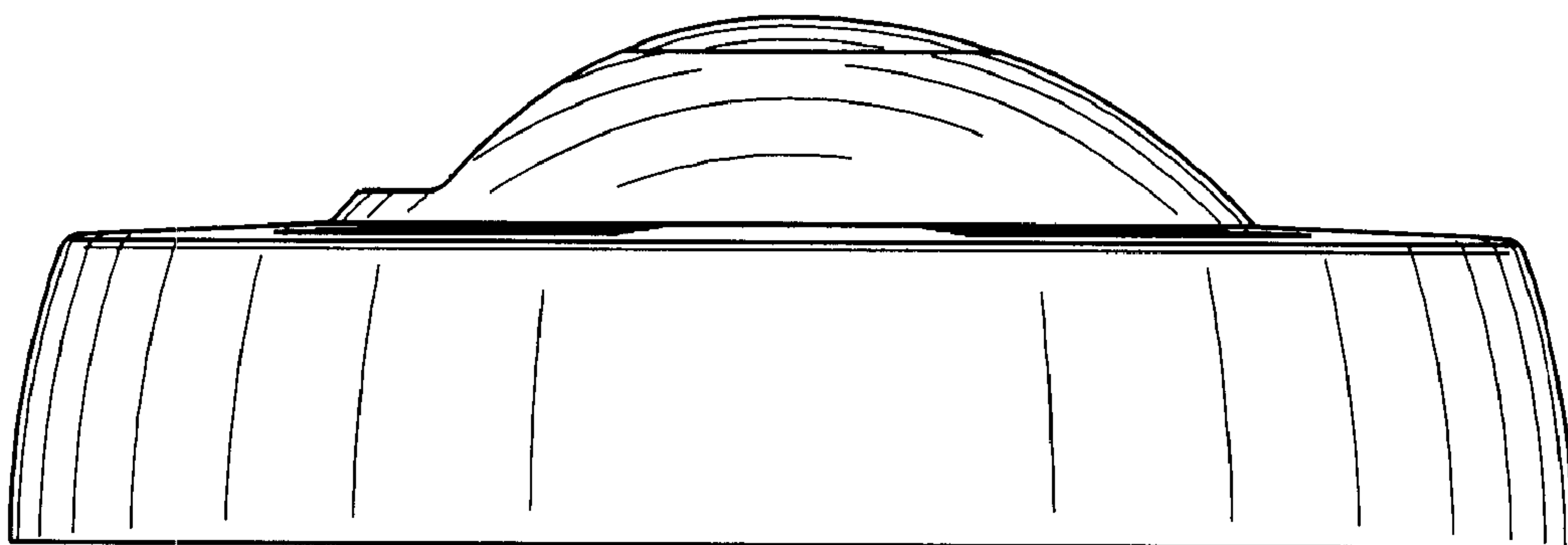


FIG. 4

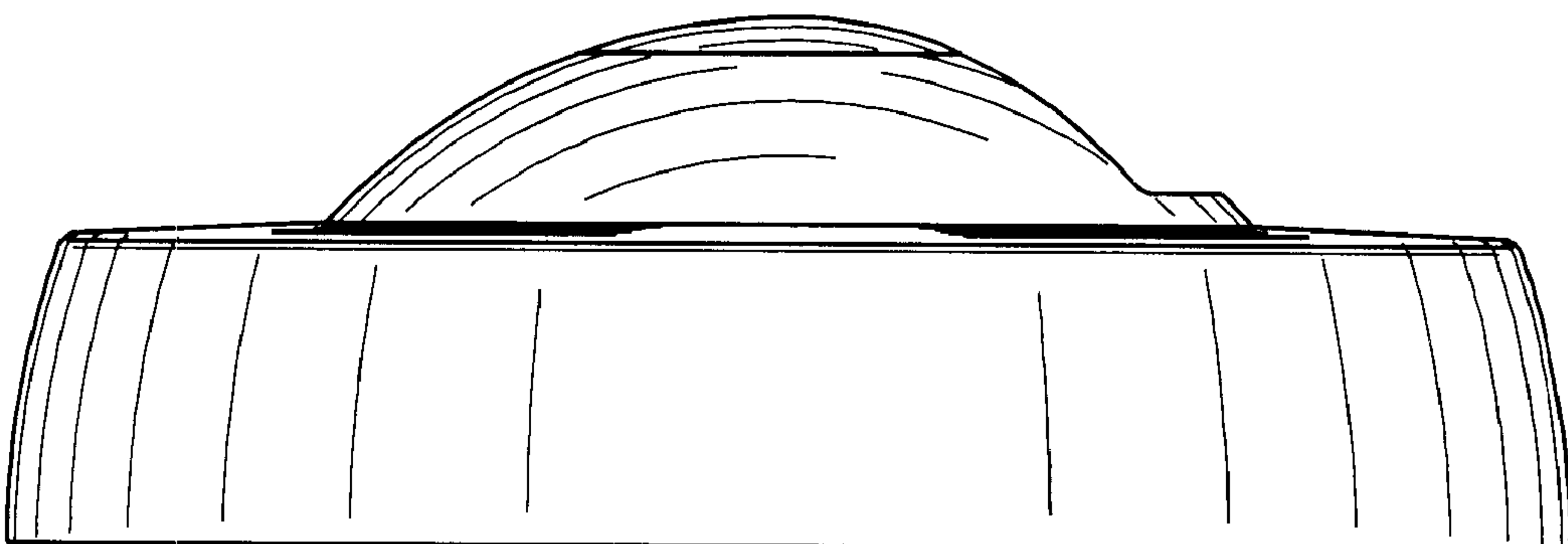


FIG. 5

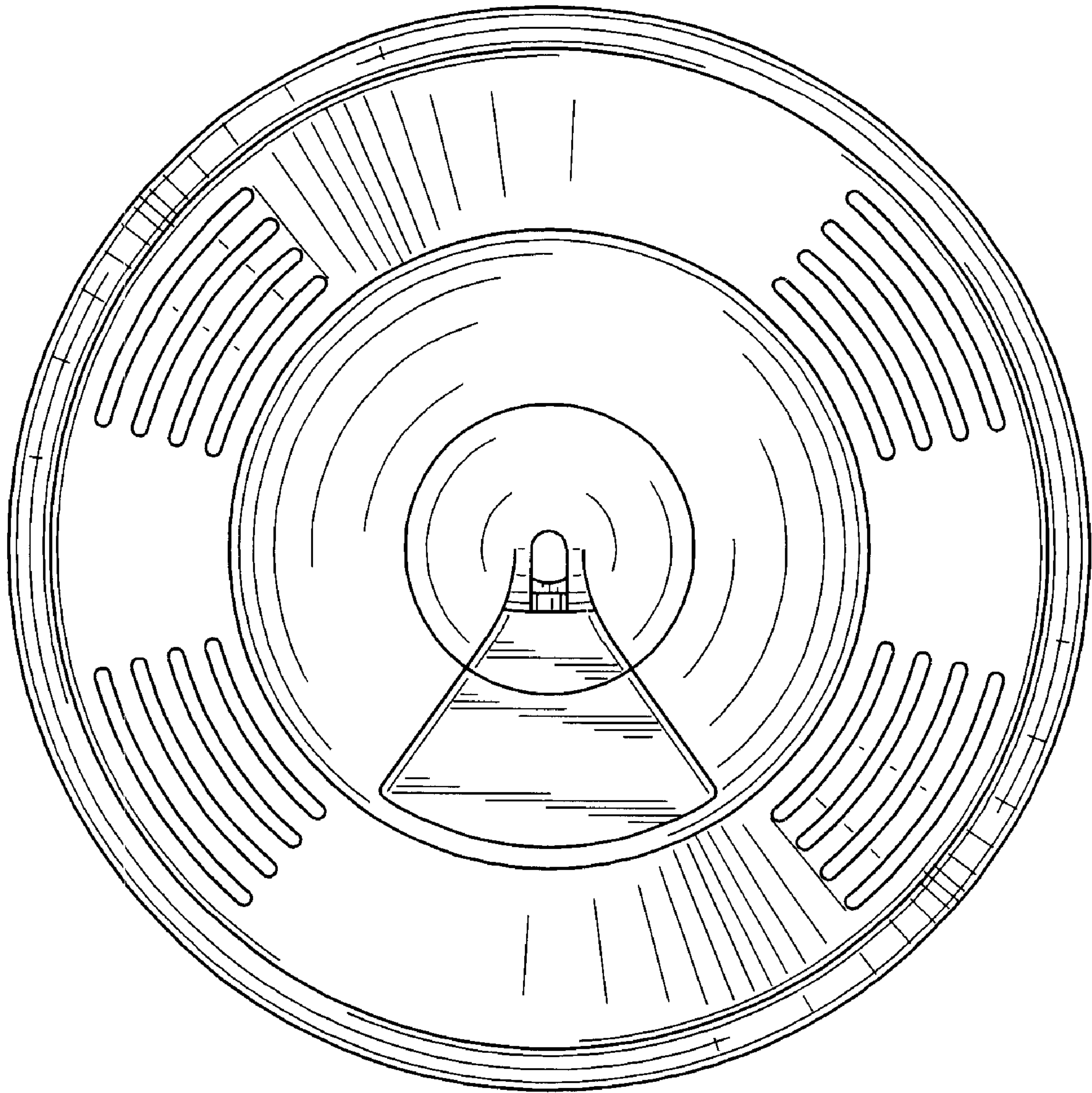


FIG. 6

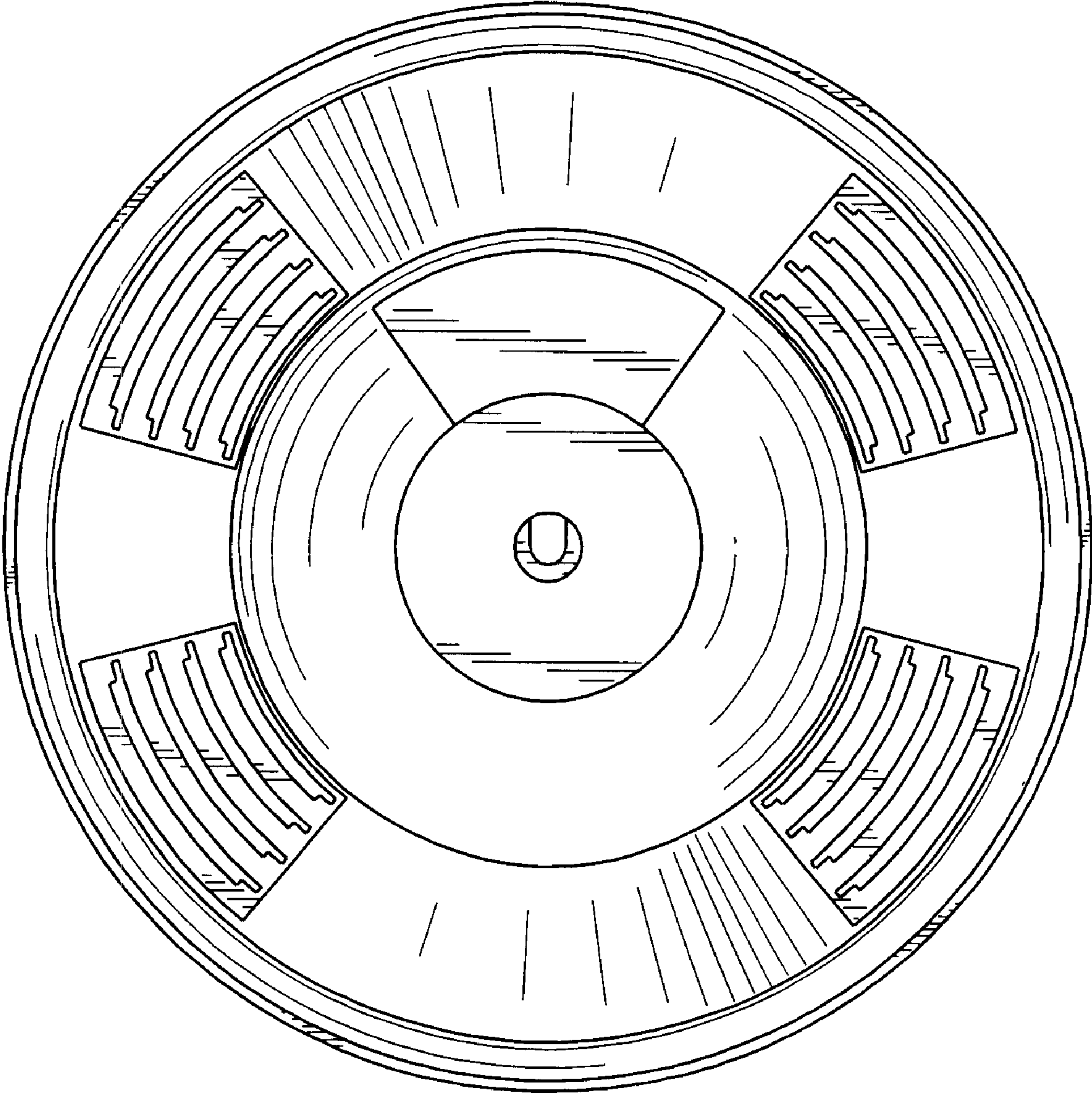


FIG. 7