



US00D532944S

(12) **United States Design Patent**
Choi

(10) **Patent No.:** **US D532,944 S**

(45) **Date of Patent:** **** Nov. 28, 2006**

(54) **VACUUM CLEANER**

(75) **Inventor:** **Kyu Kwan Choi**, Seoul (KR)

(73) **Assignee:** **LG Electronics Inc.**, Seoul (KR)

(**) **Term:** **14 Years**

(21) **Appl. No.:** **29/232,298**

(22) **Filed:** **Jun. 17, 2005**

(51) **LOC (8) Cl.** **15-05**

(52) **U.S. Cl.** **D32/22**

(58) **Field of Classification Search** D32/22,
D32/31; 15/222, 320-322, 326, 329, 347,
15/350, 352-354, 361, 410, 412, 415.1; 55/337,
55/345, 459.1, 429, DIG. 3
See application file for complete search history.

(56) **References Cited**

U.S. PATENT DOCUMENTS

D462,813 S * 9/2002 Nakano et al. D32/22
6,735,818 B1 * 5/2004 Hamada et al. 15/410
D494,720 S * 8/2004 Rosenzweig et al. D32/31

D510,465 S * 10/2005 Takahashi et al. D32/22
D521,699 S * 5/2006 Greene et al. D32/22
2005/0223519 A1 * 10/2005 Greene et al. 15/353

* cited by examiner

Primary Examiner—Ruth McInroy

(74) *Attorney, Agent, or Firm*—Birch, Stewart, Kolasch & Birch, LLP

(57) **CLAIM**

The ornamental design for a vacuum cleaner, as shown and described.

DESCRIPTION

FIG. 1 is a perspective view of a vacuum cleaner showing my (our) new design;
FIG. 2 is a front view thereof;
FIG. 3 is a rear view thereof;
FIG. 4 is a left side view thereof;
FIG. 5 is a right side view thereof;
FIG. 6 is a top plan view thereof; and,
FIG. 7 is a bottom plan view thereof.

1 Claim, 6 Drawing Sheets

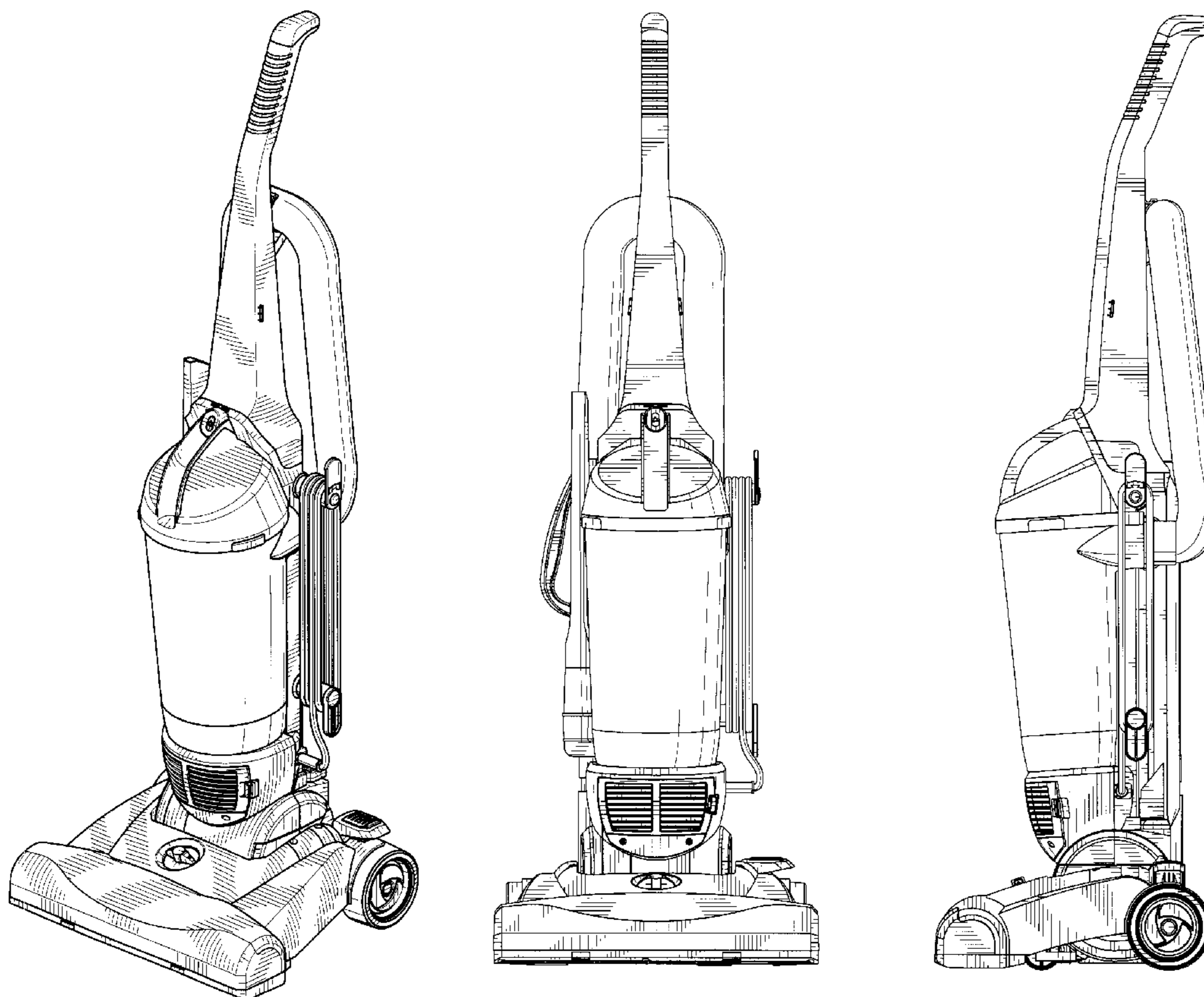


FIG. 1

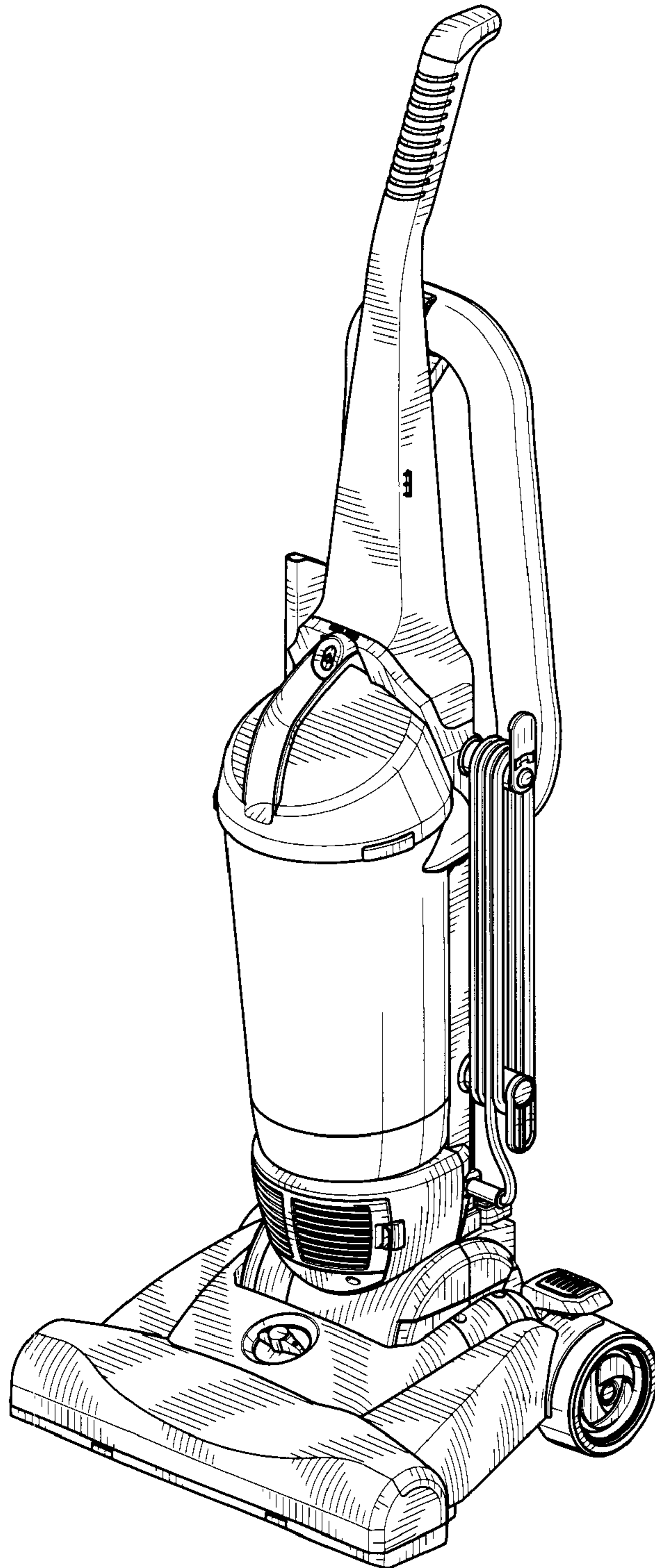


FIG. 2

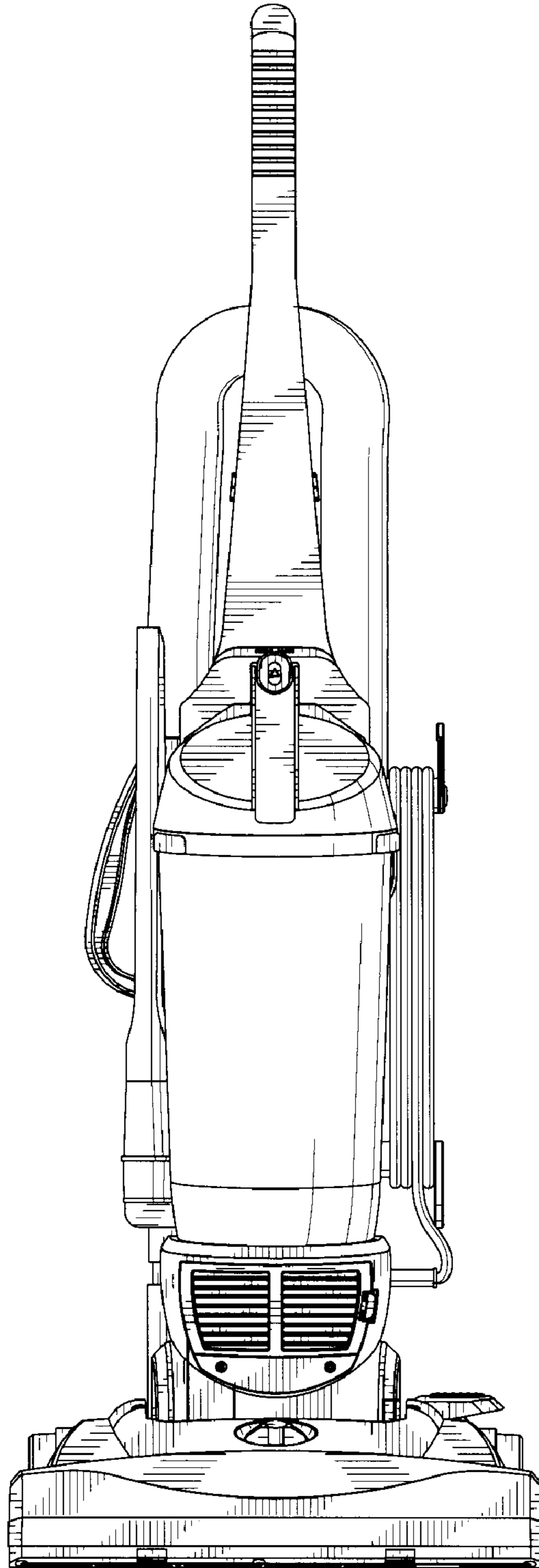


FIG. 3

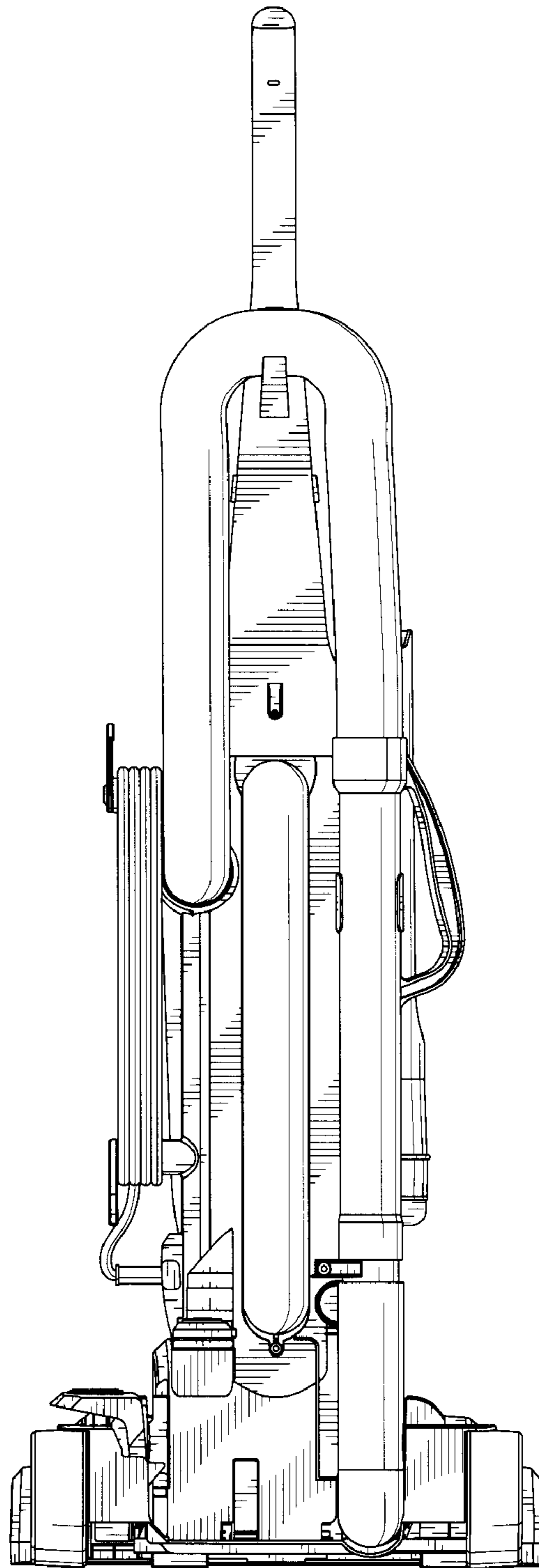


FIG. 4

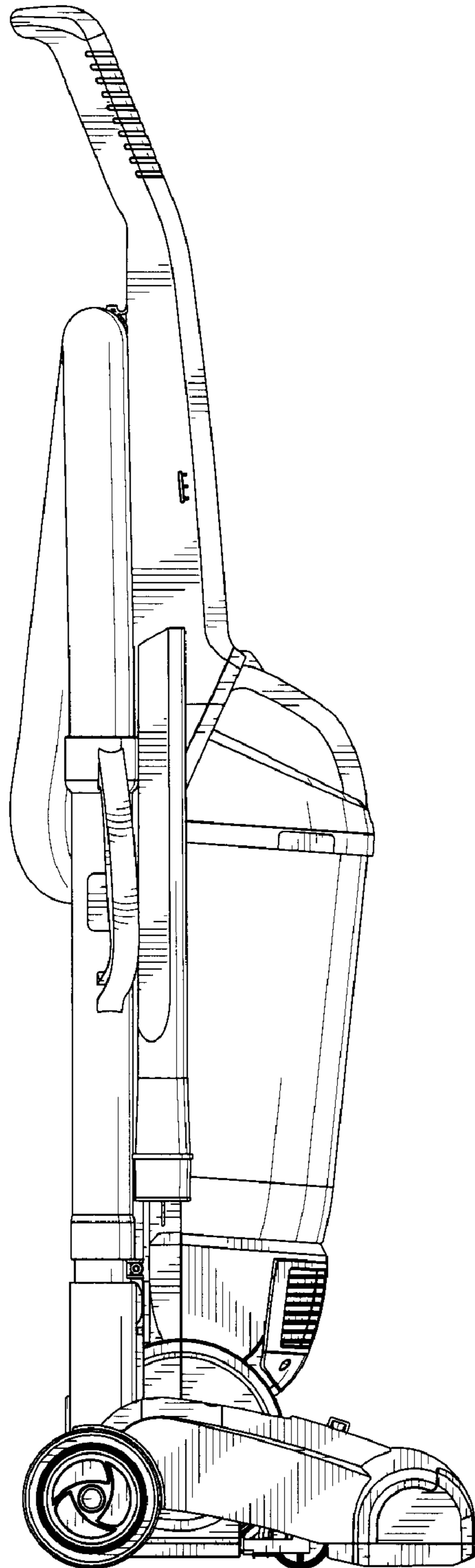


FIG. 5

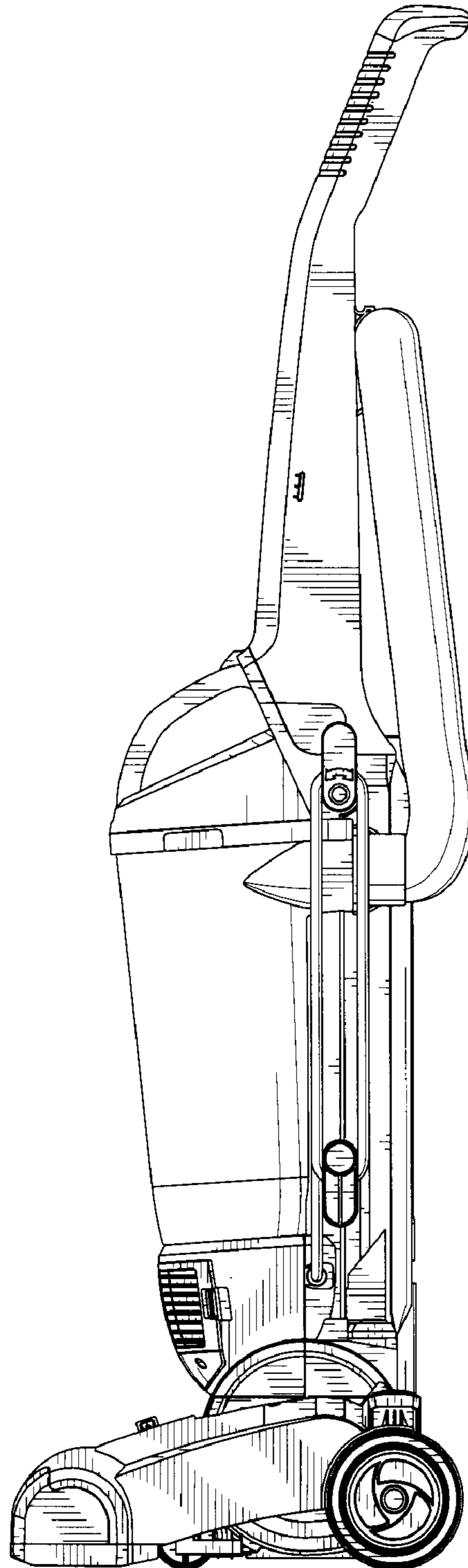


FIG. 6

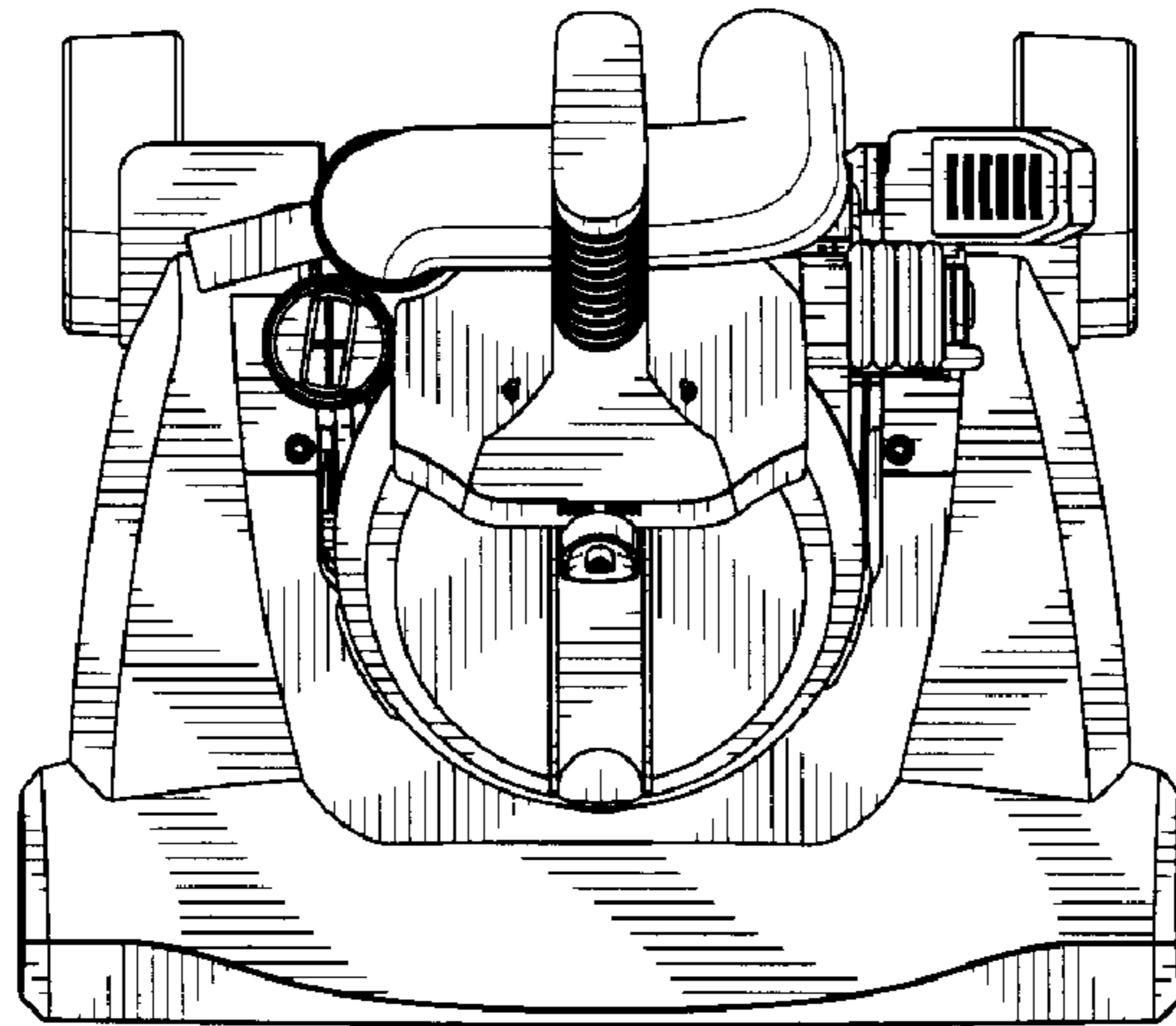


FIG. 7

