



US00D532943S

(12) **United States Design Patent**
Haranaka

(10) **Patent No.:** **US D532,943 S**

(45) **Date of Patent:** **** Nov. 28, 2006**

(54) **VACUUM CLEANER**

(75) Inventor: **Akira Haranaka**, Osaka-fu (JP)

(73) Assignee: **Sharp Kabushiki Kaisha**, Osaka (JP)

(**) Term: **14 Years**

(21) Appl. No.: **29/230,136**

(22) Filed: **May 18, 2005**

(30) **Foreign Application Priority Data**

Nov. 24, 2004 (JP) 2004-035696

(51) **LOC (8) Cl.** **15-05**

(52) **U.S. Cl.** **D32/22**

(58) **Field of Classification Search** D32/22,
D32/31; 15/222, 320-322, 326, 329, 347,
15/350, 352-354, 361, 410, 412, 415.1; 55/337,
55/345, 459.1, 429, DIG. 3

See application file for complete search history.

D398,093 S	9/1998	Fujima	
D398,099 S	9/1998	Leung	
D403,477 S	12/1998	Tsujimoto et al.	
D403,478 S	12/1998	Tsujimoto et al.	
5,842,254 A	12/1998	Lee	
D417,533 S	12/1999	Burchard et al.	
D418,266 S	12/1999	Medema et al.	
D419,731 S	1/2000	Bates et al.	
D435,945 S	1/2001	Ikeno et al.	
D436,699 S	1/2001	Makihara et al.	
D439,379 S	3/2001	Gammack et al.	
D443,738 S	6/2001	Makihara et al.	
6,344,064 B1	2/2002	Conrad	
D455,530 S	4/2002	Fuji	
D455,876 S	4/2002	Arney et al.	
6,391,095 B1	5/2002	Conrad et al.	
D462,813 S *	9/2002	Nakano et al.	D32/22
D463,078 S	9/2002	Harada	
D473,981 S	4/2003	Wareham	
D480,847 S *	10/2003	Fujii	D32/22
D481,180 S	10/2003	Fujii	
D488,894 S *	4/2004	Leyden	D32/22
D518,928 S *	4/2006	Chiba	D32/22

* cited by examiner

Primary Examiner—Ruth McInroy

(74) *Attorney, Agent, or Firm*—Nixon & Vanderhye, PC

(56) **References Cited**

U.S. PATENT DOCUMENTS

D220,970 S	6/1971	Rawson, Jr. et al.	
D305,269 S	12/1989	Dyson	
D309,203 S	7/1990	Goodrich	
D325,274 S	4/1992	Ikeda	
D327,145 S	6/1992	Kuriya	
D328,165 S	7/1992	Ferrari et al.	
5,145,499 A	9/1992	Dyson	
D335,556 S	5/1993	Kuriya	
D343,707 S	1/1994	Dyson	
D344,164 S	2/1994	Kuriya	
D346,468 S	4/1994	Dusinberre et al.	
D354,593 S	1/1995	Koike	
5,392,490 A	2/1995	Monson	
D358,913 S	5/1995	Sugiyama et al.	
D359,604 S	6/1995	Sovis et al.	
D365,669 S	12/1995	Piccaluga et al.	
D373,665 S	9/1996	Nakamura et al.	
D375,820 S *	11/1996	Piccaluga et al.	D32/22
D382,681 S	8/1997	Thomas	
D383,574 S	9/1997	Saimen et al.	

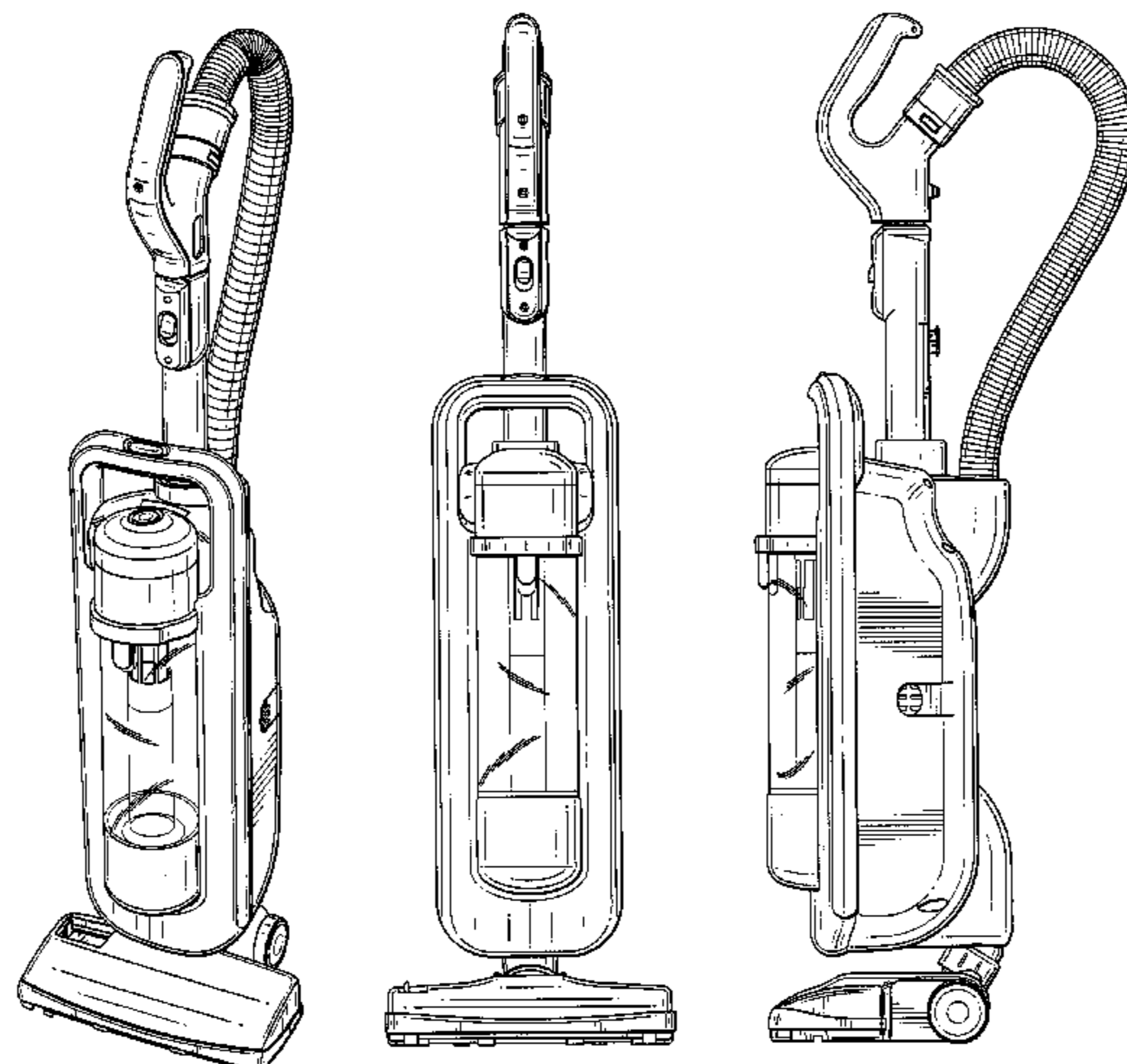
(57) **CLAIM**

The ornamental design for a “vacuum cleaner,” as shown and described.

DESCRIPTION

FIG. 1 is a top, front and right side perspective view of a vacuum cleaner according to my design; FIG. 2 is a front elevational view thereof; FIG. 3 is a rear elevational view thereof; FIG. 4 is a right side elevational view thereof; FIG. 5 is a left side elevational view thereof; FIG. 6 is a top plan view thereof; FIG. 7 is a bottom plan view thereof; and, FIG. 8 is a top rear and left side perspective view thereof.

1 Claim, 7 Drawing Sheets



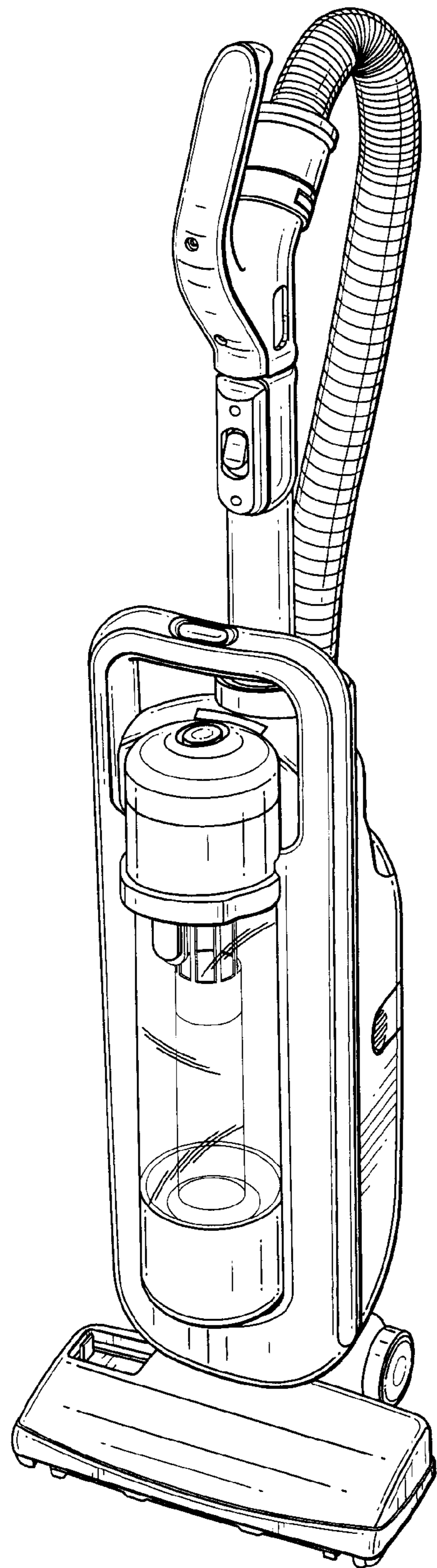


Fig. 1

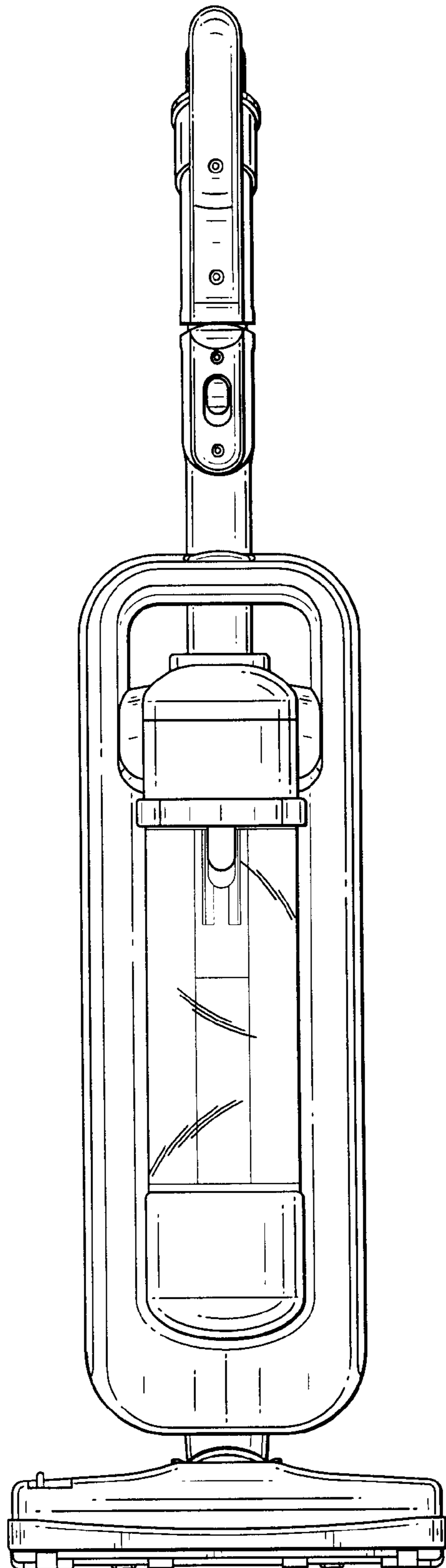


Fig. 2

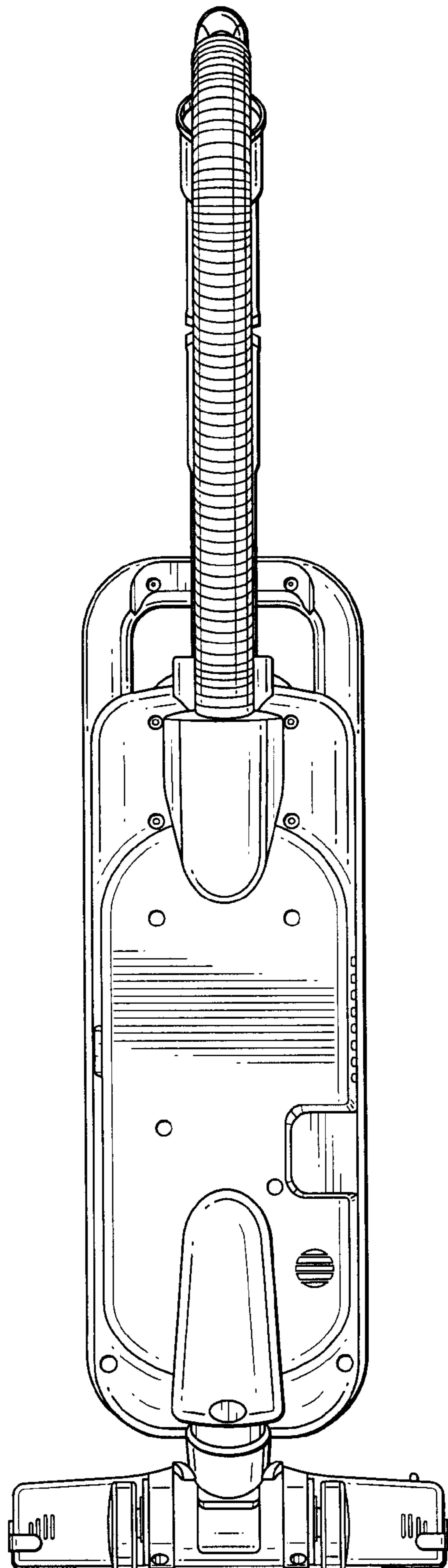


Fig. 3

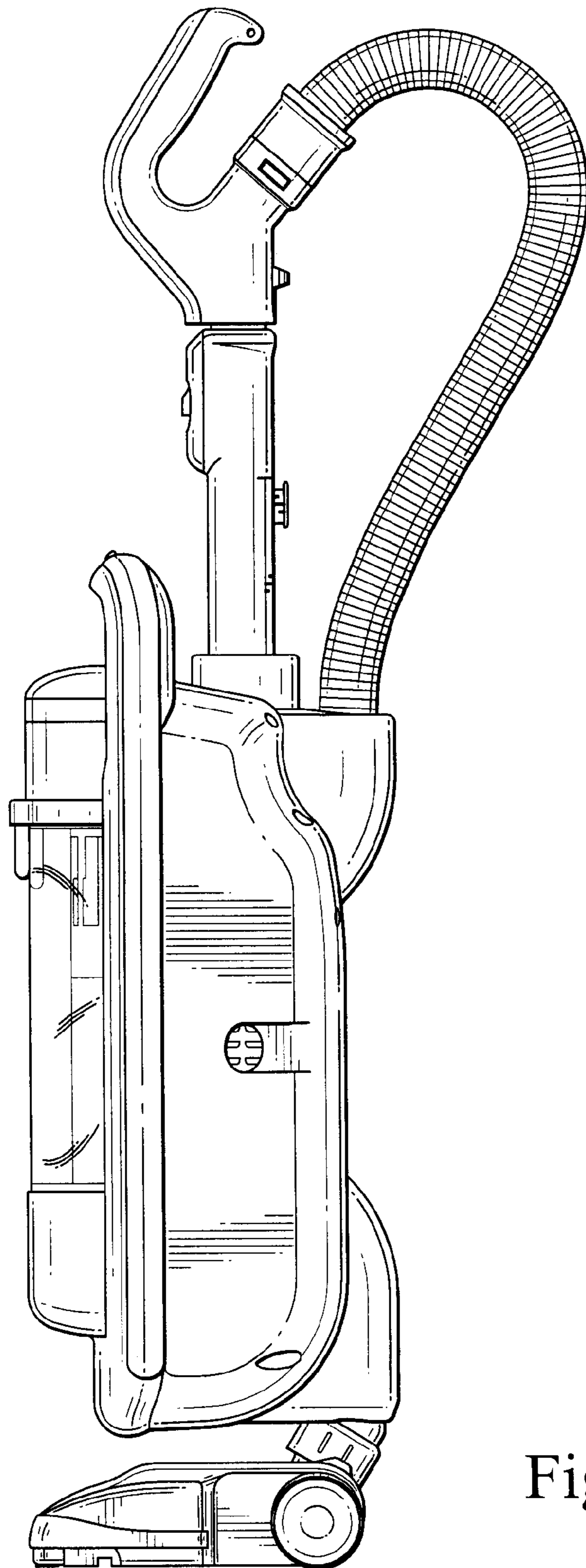


Fig. 4

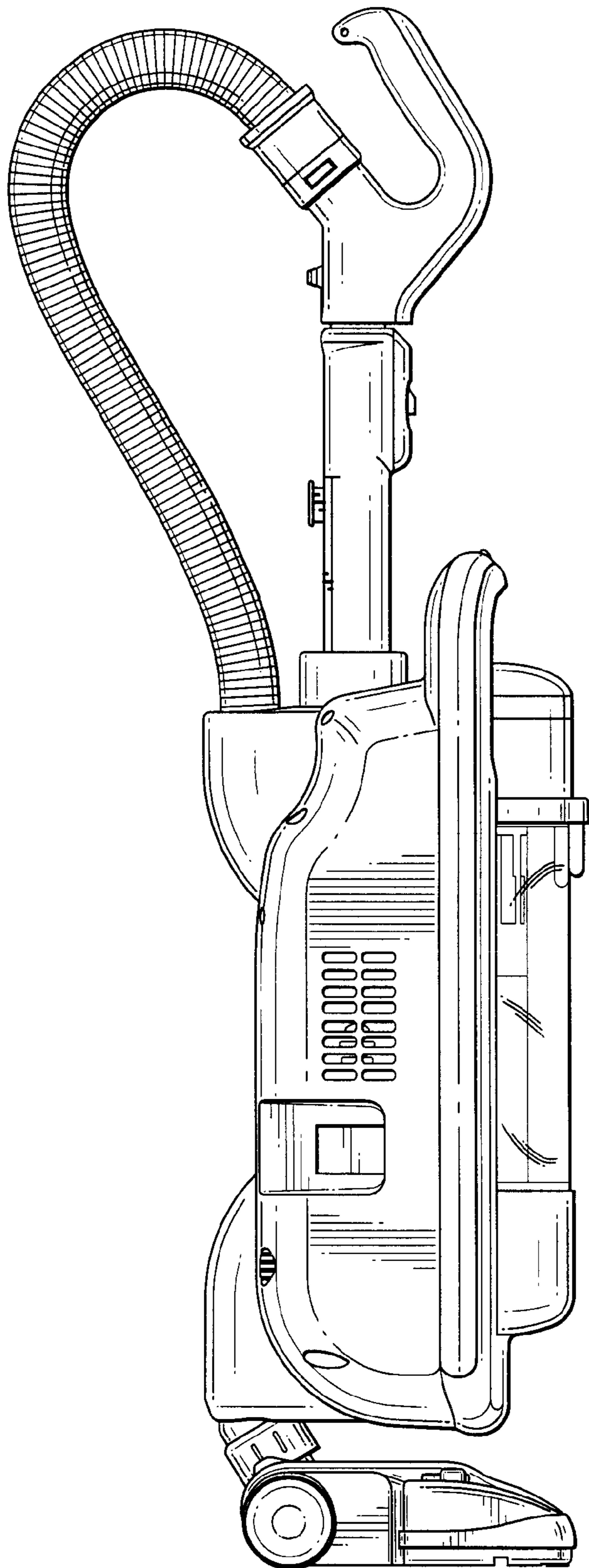


Fig. 5

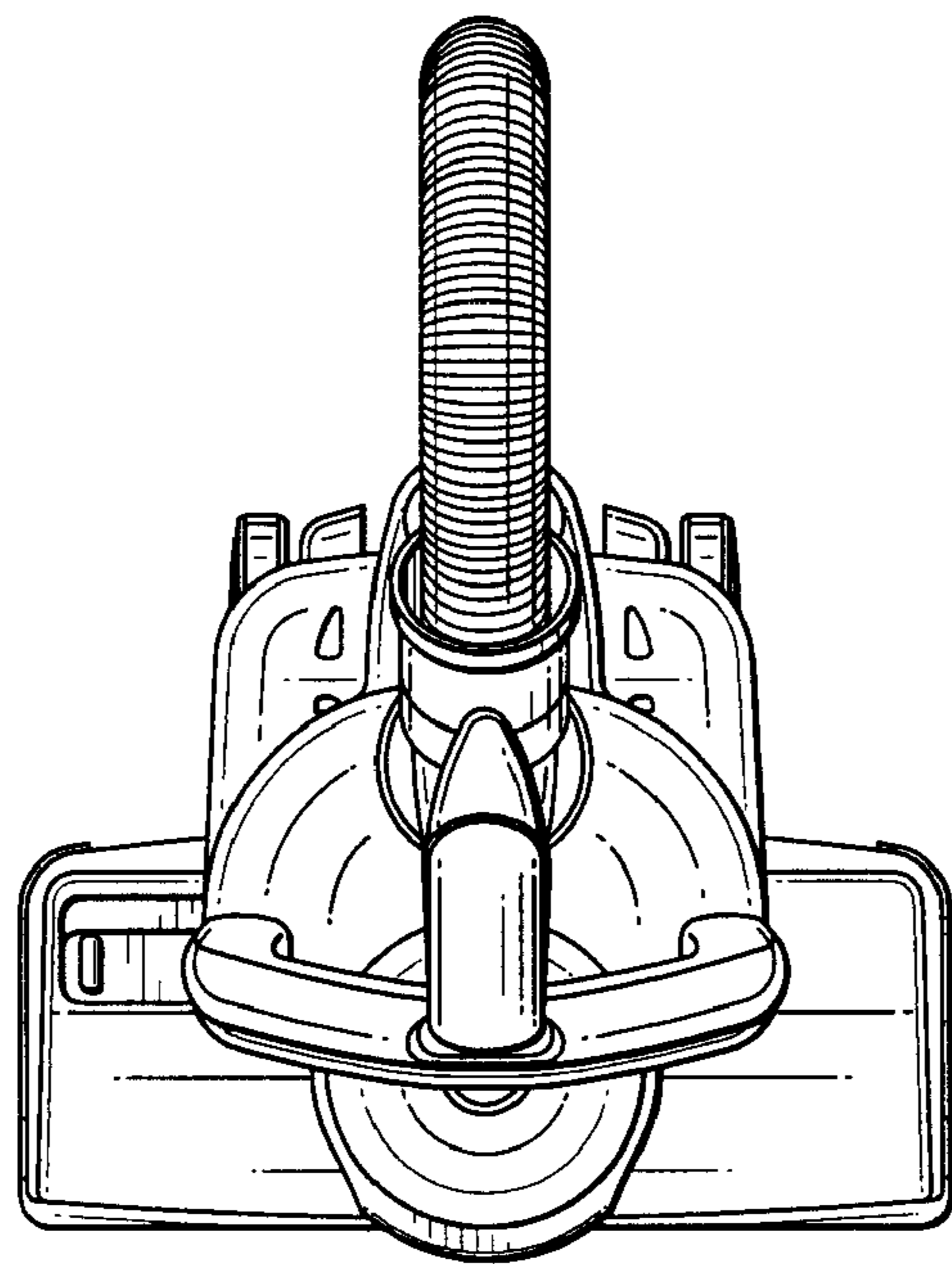


Fig. 6

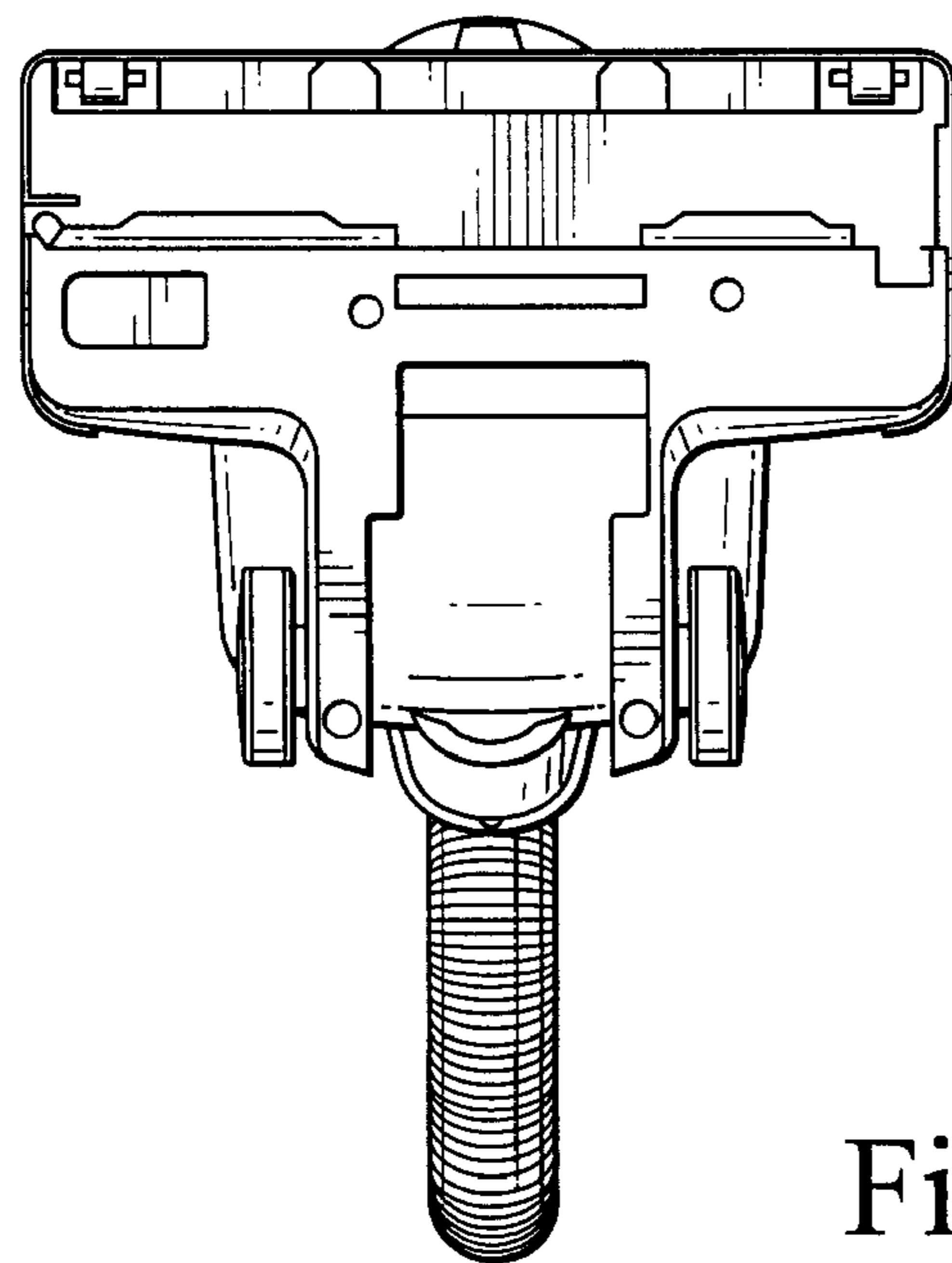


Fig. 7

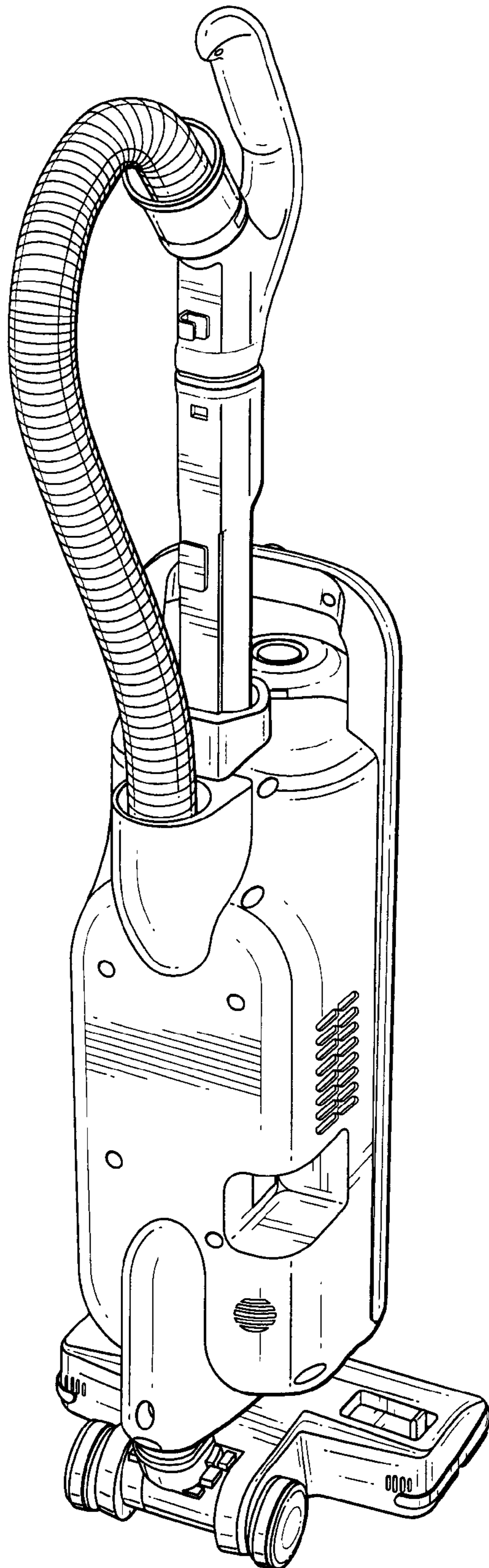


Fig. 8