



US00D532941S

(12) **United States Design Patent**
Carey et al.

(10) **Patent No.:** **US D532,941 S**

(45) **Date of Patent:** **** Nov. 28, 2006**

(54) **LAUNDRY APPLIANCE**

(75) Inventors: **Michael Robert Carey**, Coloma, MI (US); **Darryl C. Bodine**, St. Joseph, MI (US); **Eric Andrew Hill**, Holland, MI (US)

(73) Assignee: **Whirlpool Corporation**, Benton Harbor, MI (US)

(**) Term: **14 Years**

(21) Appl. No.: **29/246,105**

(22) Filed: **Feb. 15, 2006**

Related U.S. Application Data

(62) Division of application No. 29/235,906, filed on Aug. 8, 2005.

(51) **LOC (8) Cl.** **15-05**

(52) **U.S. Cl.** **D32/6**

(58) **Field of Classification Search** 68/3 R, 68/4, 5, 12.01, 12.08, 212; 34/58, 109, 417, 34/499, 523, 534, 595-597, 600, 603; D32/1, D32/5, 6, 10, 25, 28, 58; 312/31; 38/1 A
See application file for complete search history.

(56) **References Cited**

U.S. PATENT DOCUMENTS

- D169,113 S 3/1953 Sundberg
- D292,629 S * 11/1987 Nagai et al. D32/6
- D292,630 S 11/1987 Nagai et al.
- D298,873 S 12/1988 Erickson et al.
- D360,501 S * 7/1995 Ertz et al. D32/6

- D360,716 S 7/1995 Ertz et al.
- D444,602 S 7/2001 Saimen
- D445,224 S 7/2001 Costello
- D445,971 S 7/2001 Ueda et al.
- D446,891 S * 8/2001 Kim D32/6
- D465,308 S 11/2002 Resuello et al.
- D477,898 S * 7/2003 Geyer D32/6
- D490,946 S * 6/2004 Suh et al. D32/6
- D491,324 S * 6/2004 Kim et al. D32/6
- D495,453 S 8/2004 Baldwin et al.

* cited by examiner

Primary Examiner—Louis S. Zarfaz

Assistant Examiner—Kathleen Sims

(74) *Attorney, Agent, or Firm*—McGarry Bair PC

(57) **CLAIM**

The ornamental design for a laundry appliance, as shown and described.

DESCRIPTION

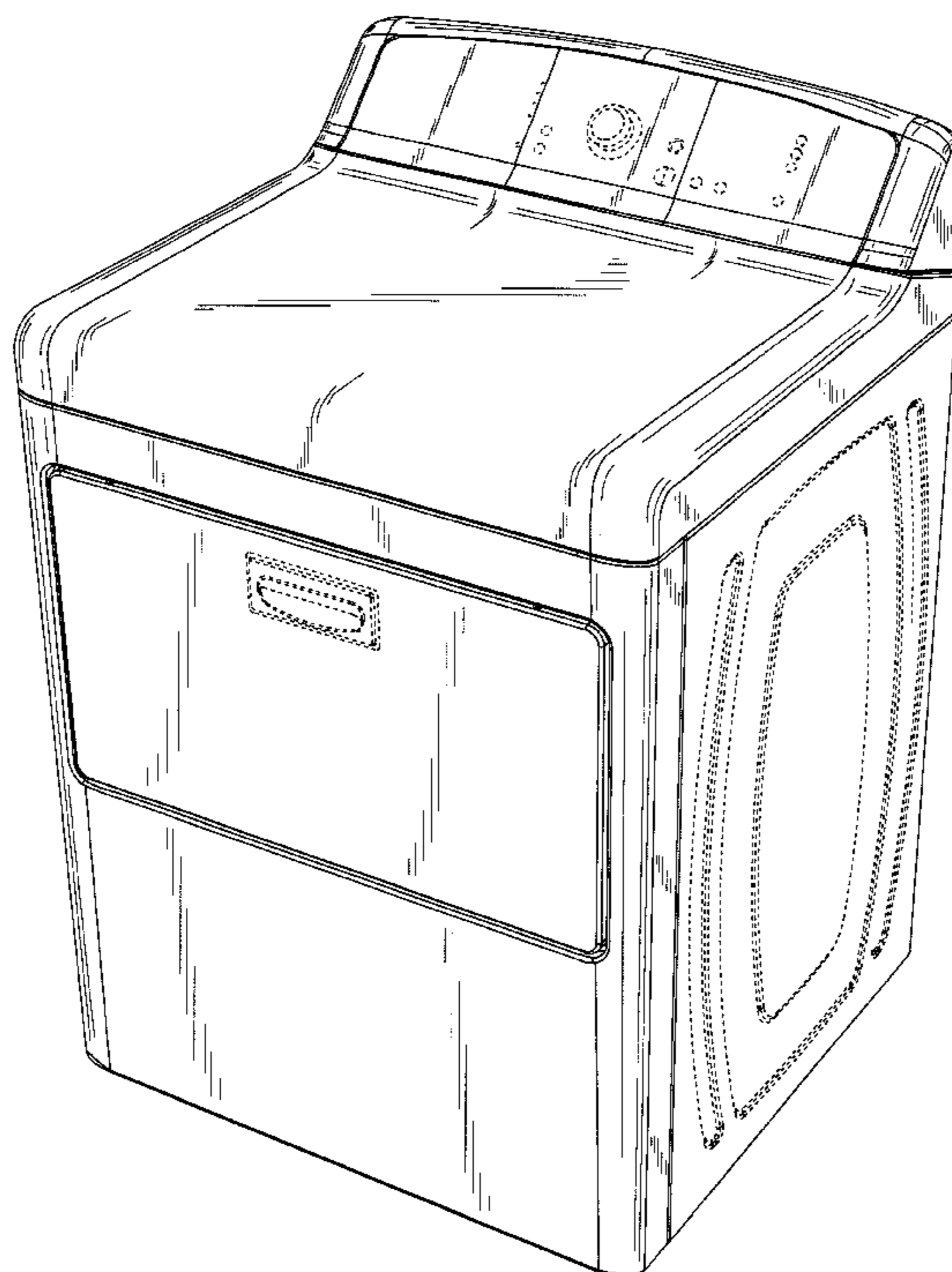
FIG. 1 is a right front perspective view of the ornamental design for a laundry appliance according to the invention; FIG. 2 is a front elevational view of the laundry appliance of FIG. 1;

FIG. 3 is a right side elevational view of the laundry appliance of FIG. 1, the left side of which is a mirror image thereof; and,

FIG. 4 is a top plan view of the laundry appliance of FIG. 1.

The structures depicted by means of broken lines in the figures have been shown for illustrative purposes only and form no part of the claimed design.

1 Claim, 4 Drawing Sheets



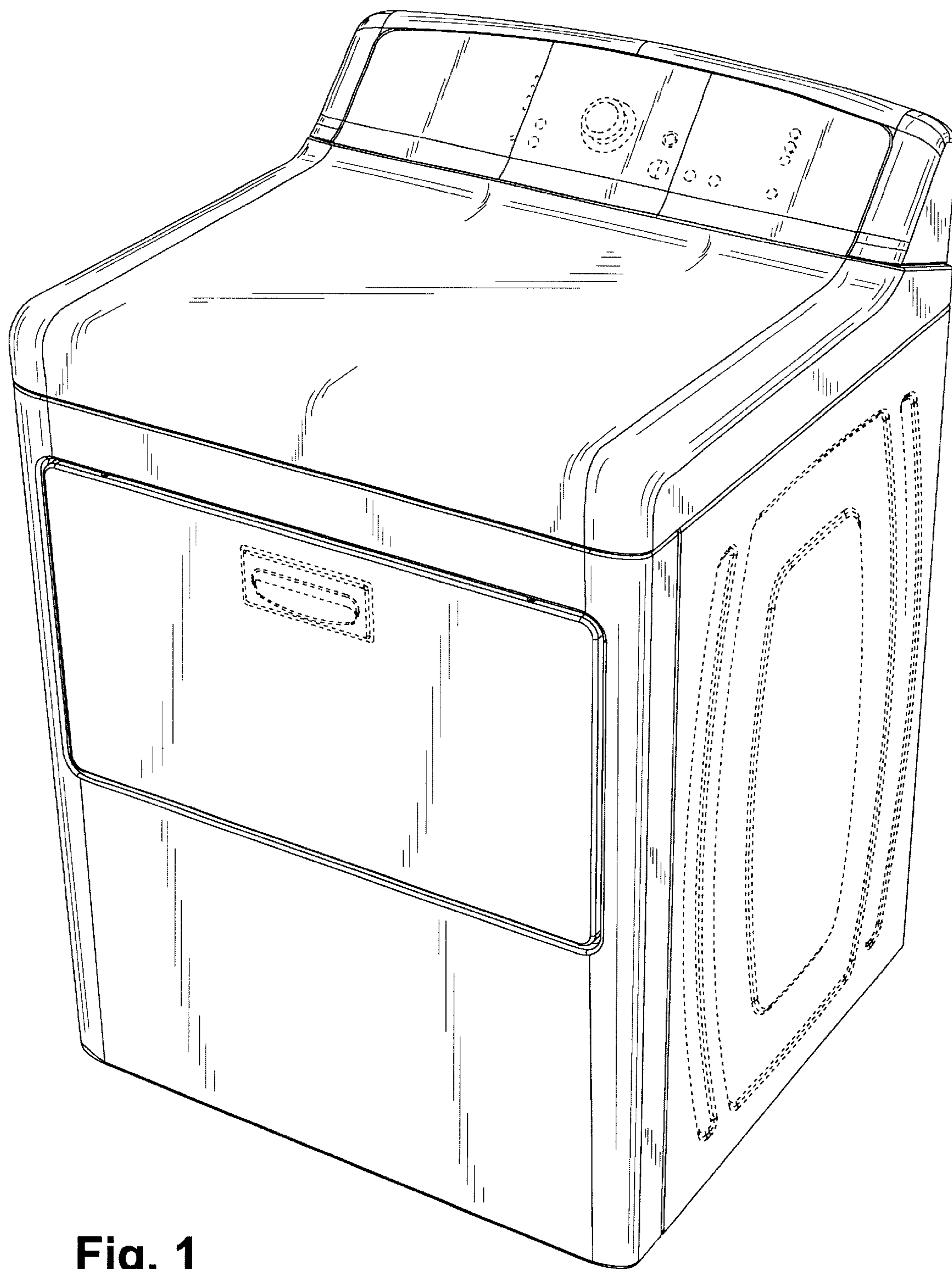


Fig. 1

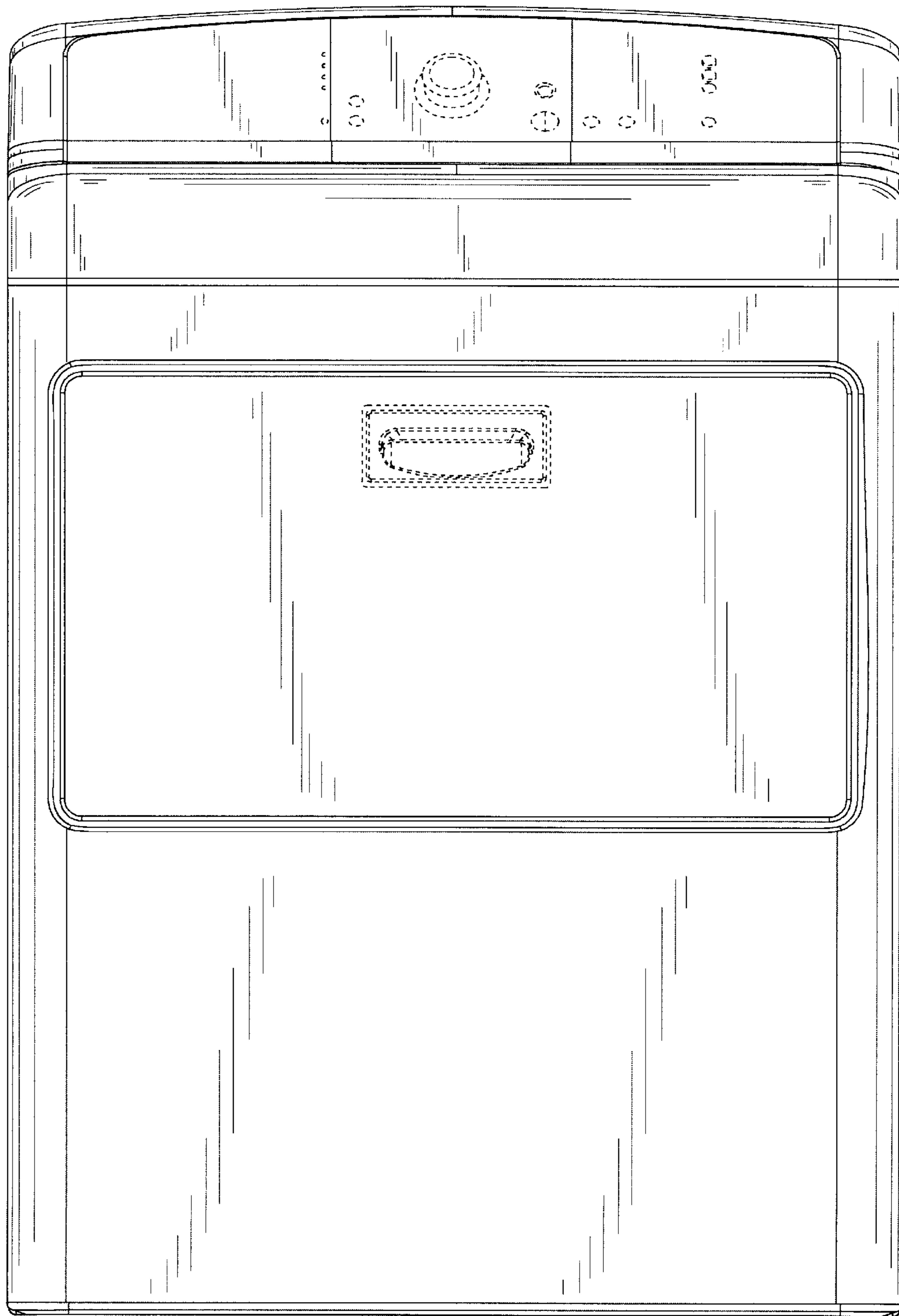


Fig. 2

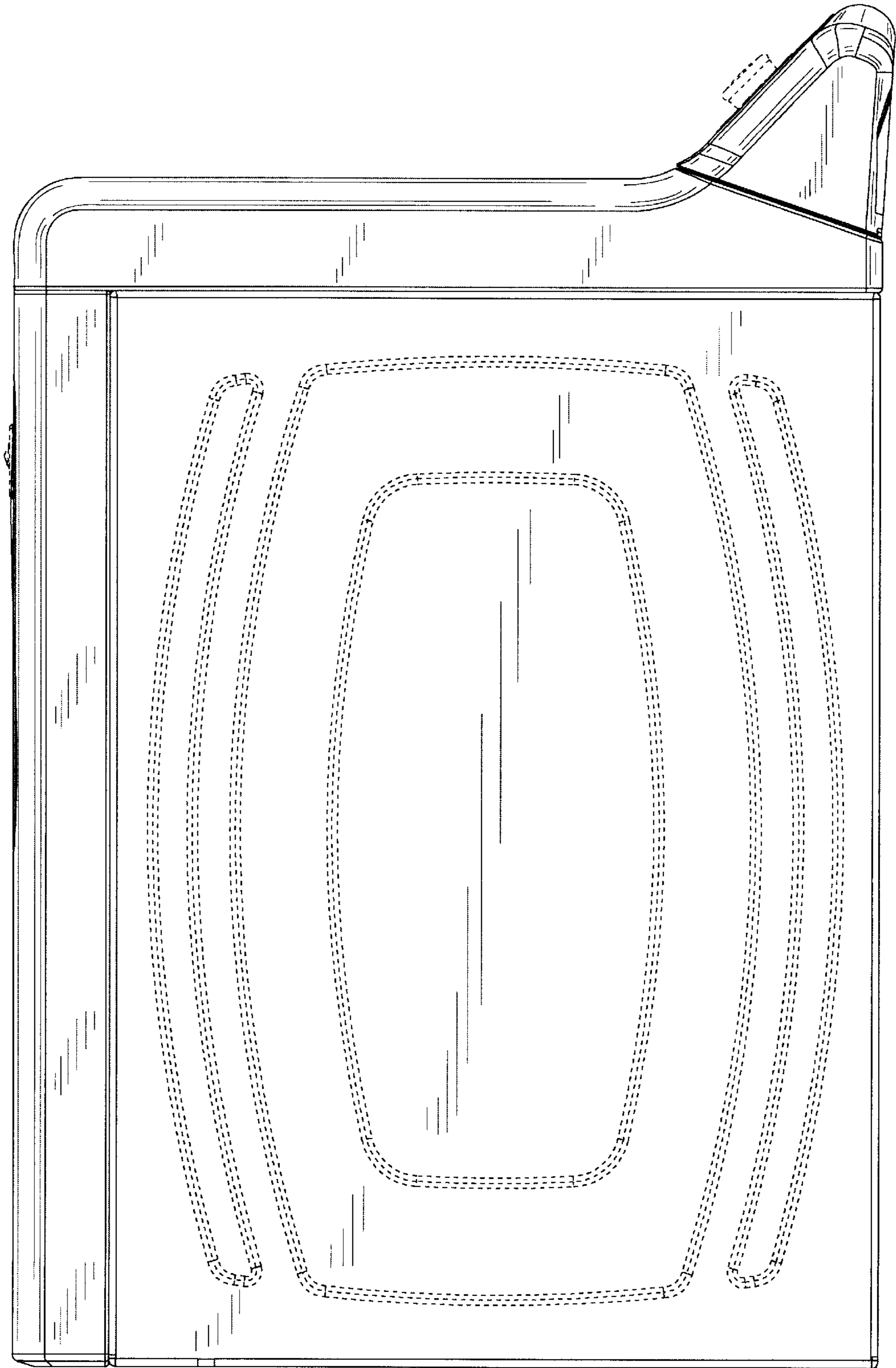


Fig. 3

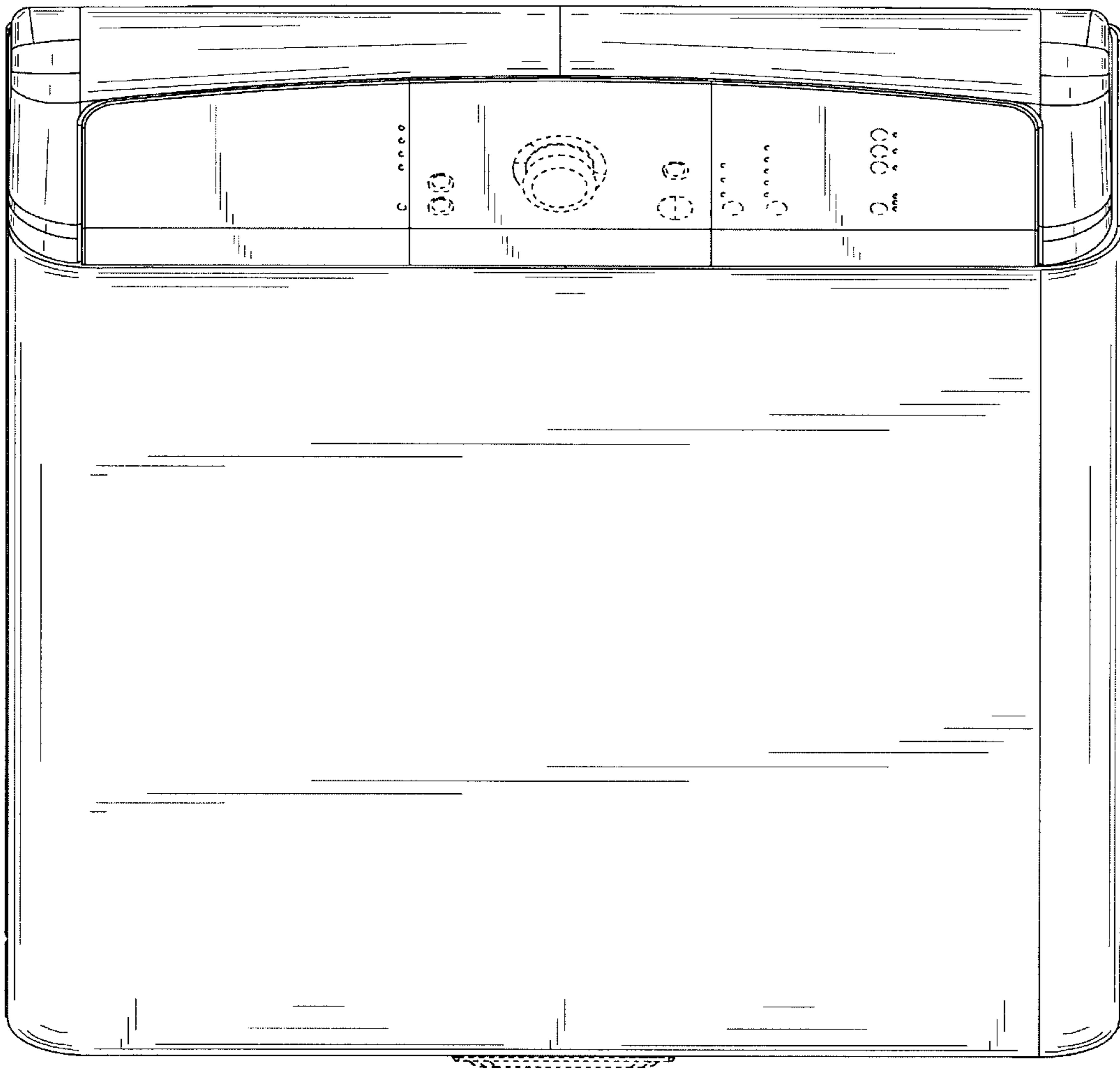


Fig. 4