

US00D532940S

(12) **United States Design Patent**  
**Park**

(10) **Patent No.:** **US D532,940 S**

(45) **Date of Patent:** **\*\* Nov. 28, 2006**

(54) **DRIVING PART STRUCTURE OF DRUM WASHING MACHINE**

(75) **Inventor:** **Sun Hee Park**, Kyungsangnam-do (KR)

(73) **Assignee:** **LG Electronics Inc.**, Seoul (KR)

(\*\*) **Term:** **14 Years**

(21) **Appl. No.:** **29/212,724**

(22) **Filed:** **Sep. 8, 2004**

(30) **Foreign Application Priority Data**

Mar. 8, 2004 (KR) ..... 30-2004-0006432

(51) **LOC (8) Cl.** ..... **15-05**

(52) **U.S. Cl.** ..... **D32/6**

(58) **Field of Classification Search** ..... 68/3 R, 68/4, 5, 12.01, 12.08, 212; 34/58, 109, 130-132, 34/417, 499, 523, 534, 600, 603; D32/1, D32/5, 6, 10, 25, 28, 58, 29; 312/31; 38/1 A  
See application file for complete search history.

(56) **References Cited**

**U.S. PATENT DOCUMENTS**

3,899,204 A \* 8/1975 Ulrich ..... 292/336.3  
4,430,809 A \* 2/1984 Jackson et al. .... 34/601

5,678,430 A \* 10/1997 Merlin et al. .... 68/24  
6,622,531 B1 \* 9/2003 Ren et al. .... 68/140  
6,671,978 B1 \* 1/2004 McGowan et al. .... 34/596  
6,966,124 B1 \* 11/2005 Ryu ..... 34/134  
6,968,632 B1 \* 11/2005 Guinibert et al. .... 34/602  
2006/0005585 A1 \* 1/2006 Lee et al. .... 68/142

\* cited by examiner

*Primary Examiner*—Louis S. Zarfaz

*Assistant Examiner*—Kathleen Sims

(74) *Attorney, Agent, or Firm*—Birch, Stewart, Kolasch and Birch, LLP

(57) **CLAIM**

The ornamental design for a driving part structure of drum washing machine, as shown and described.

**DESCRIPTION**

FIG. 1 is a perspective view of the driving part structure of drum washing machine showing my new design; FIG. 2 is a front view thereof; FIG. 3 is a rear view thereof; FIG. 4 is a left side view thereof; FIG. 5 is a right side view thereof; FIG. 6 is a top view thereof; FIG. 7 is a bottom view thereof; and, FIG. 8 is a sectional view of FIG. 2.

**1 Claim, 8 Drawing Sheets**

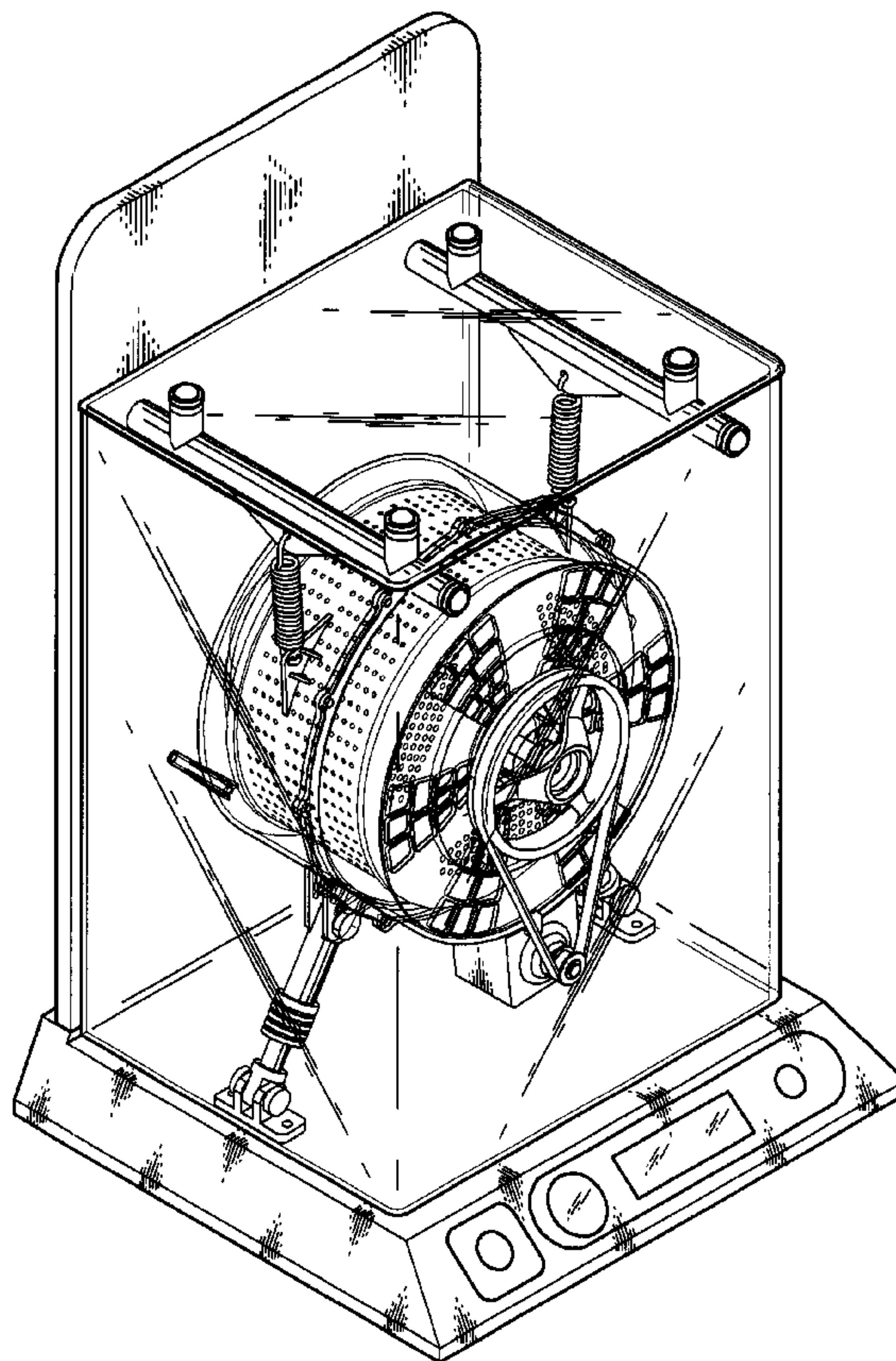


FIG. 1

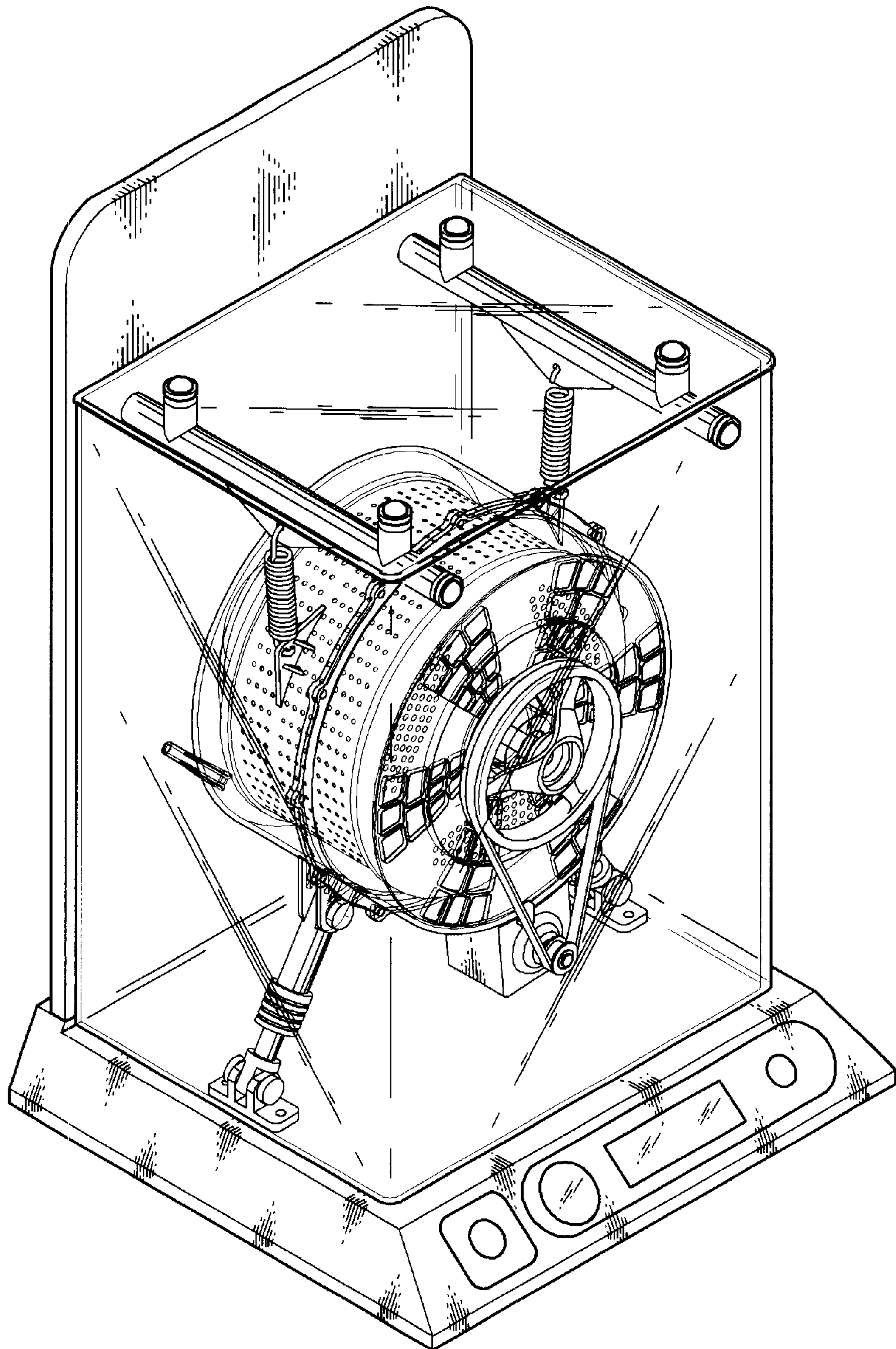
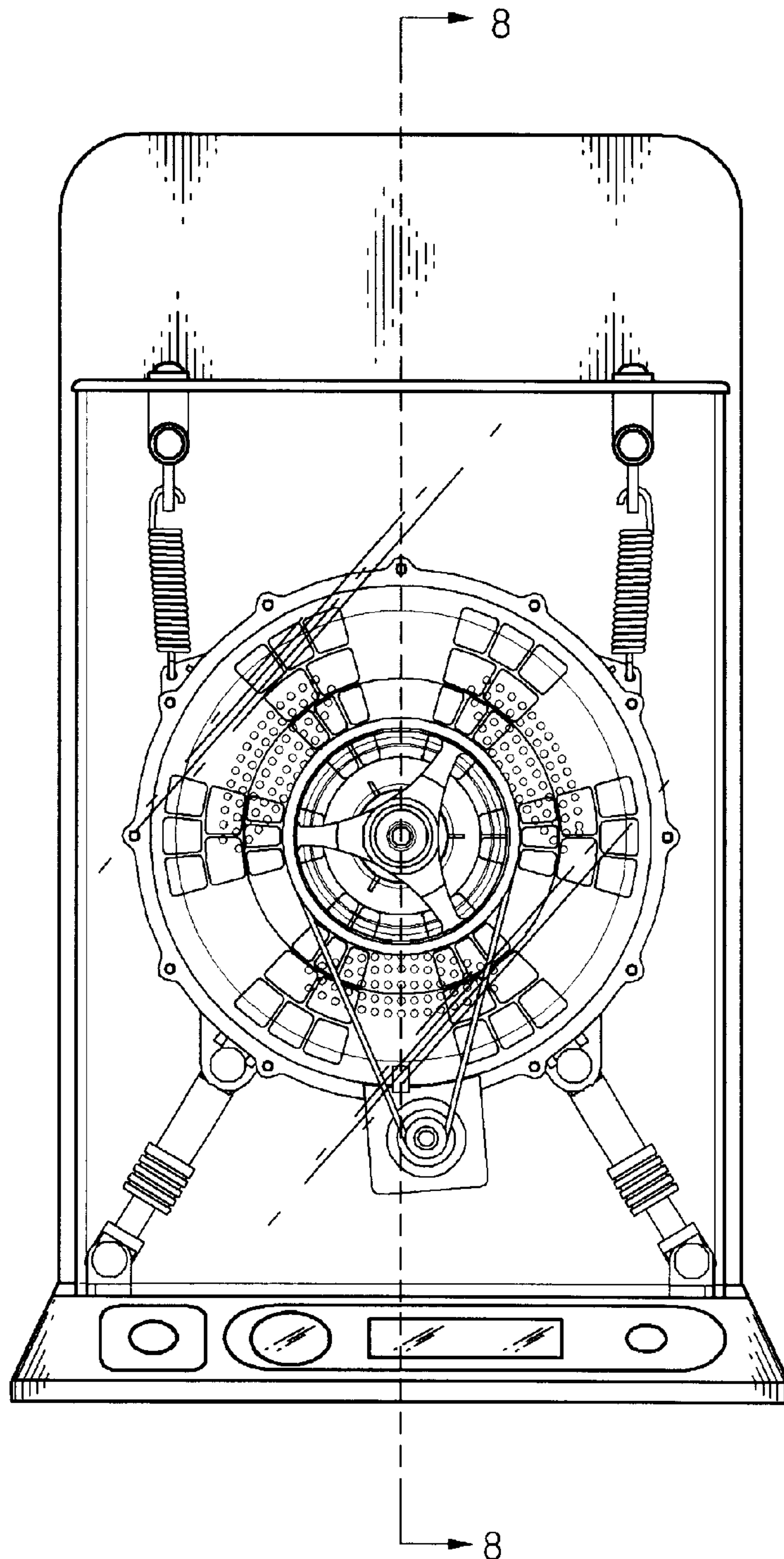




FIG. 2



**FIG. 3**

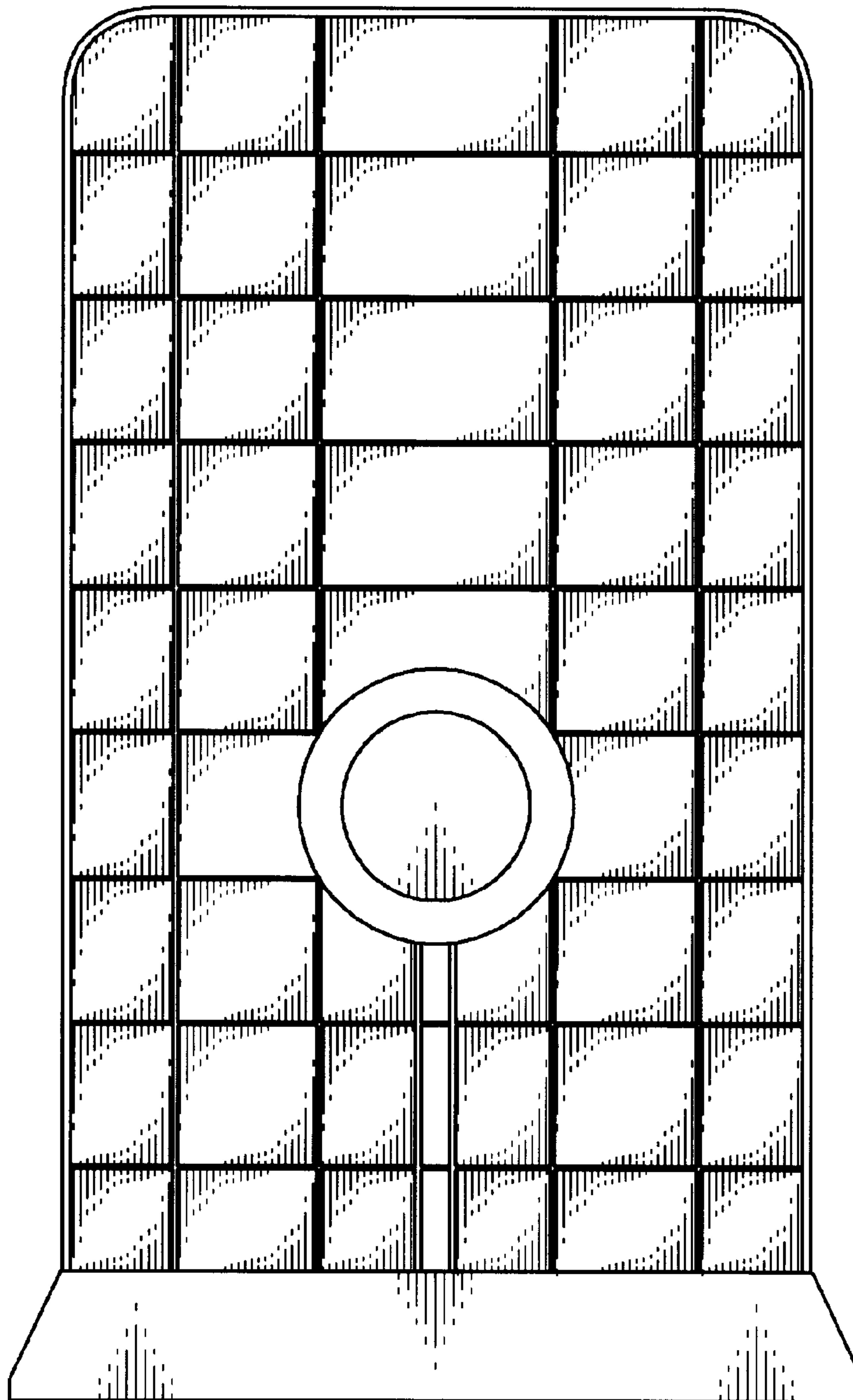


FIG. 4

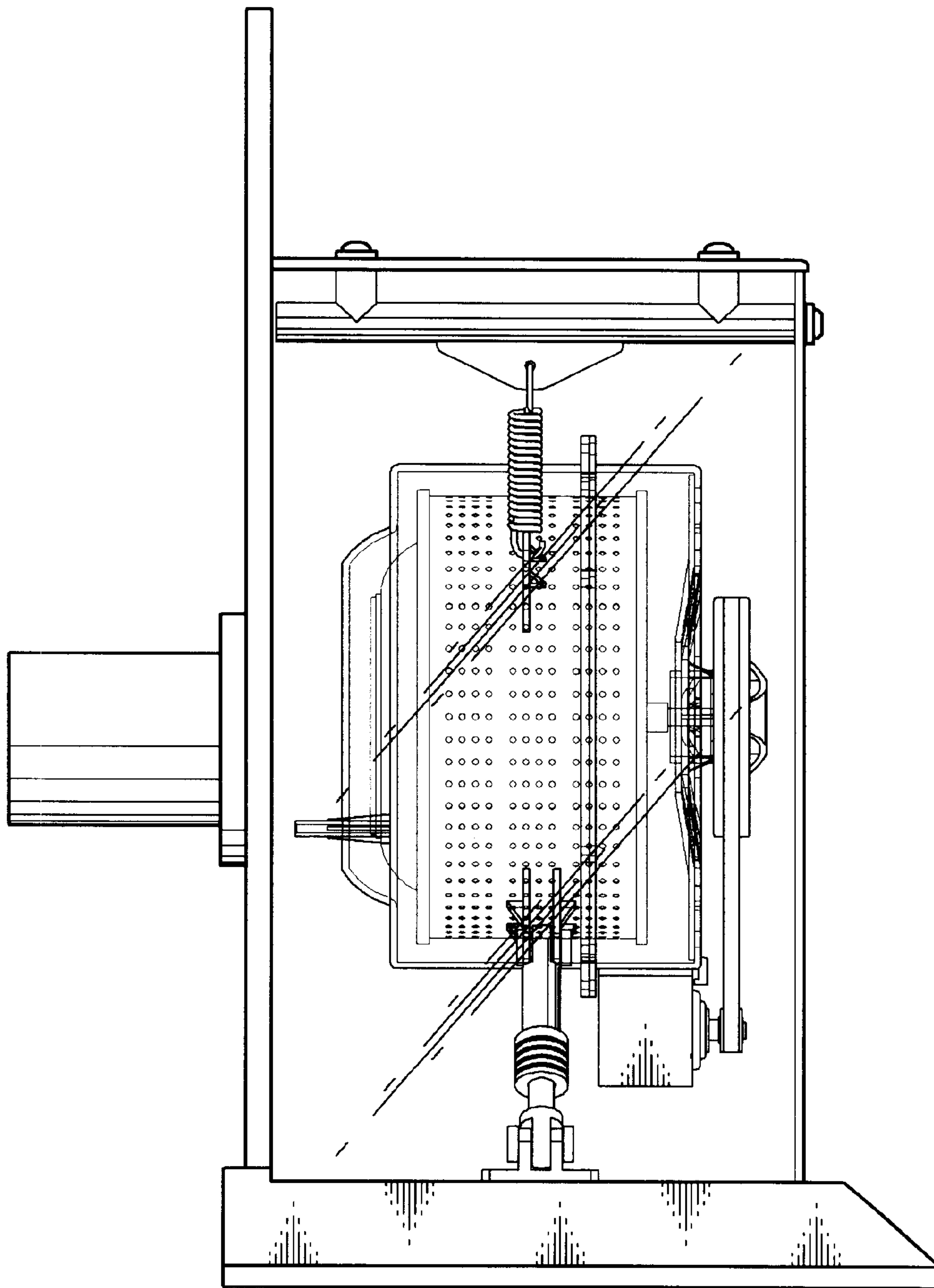


FIG. 5

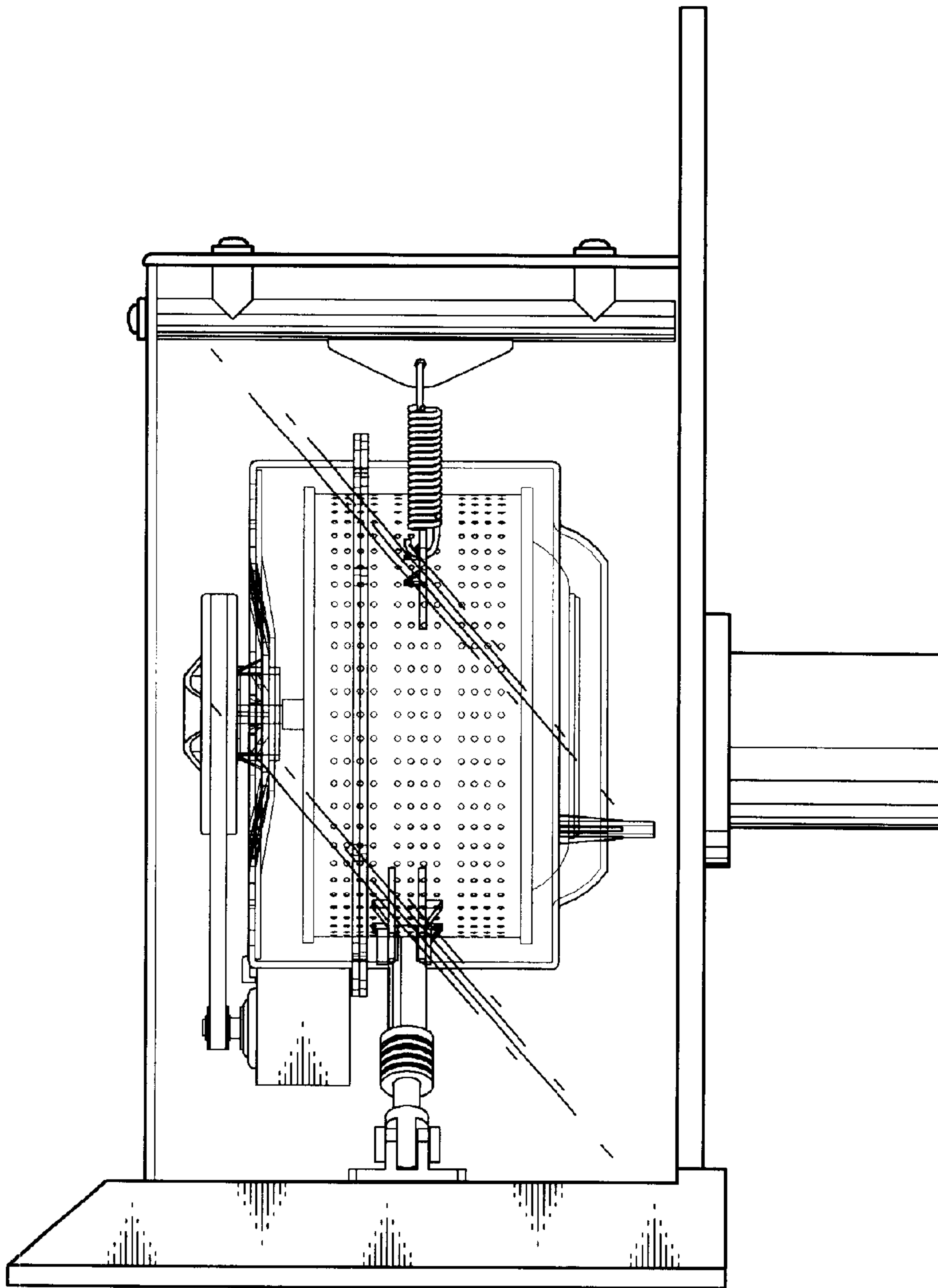
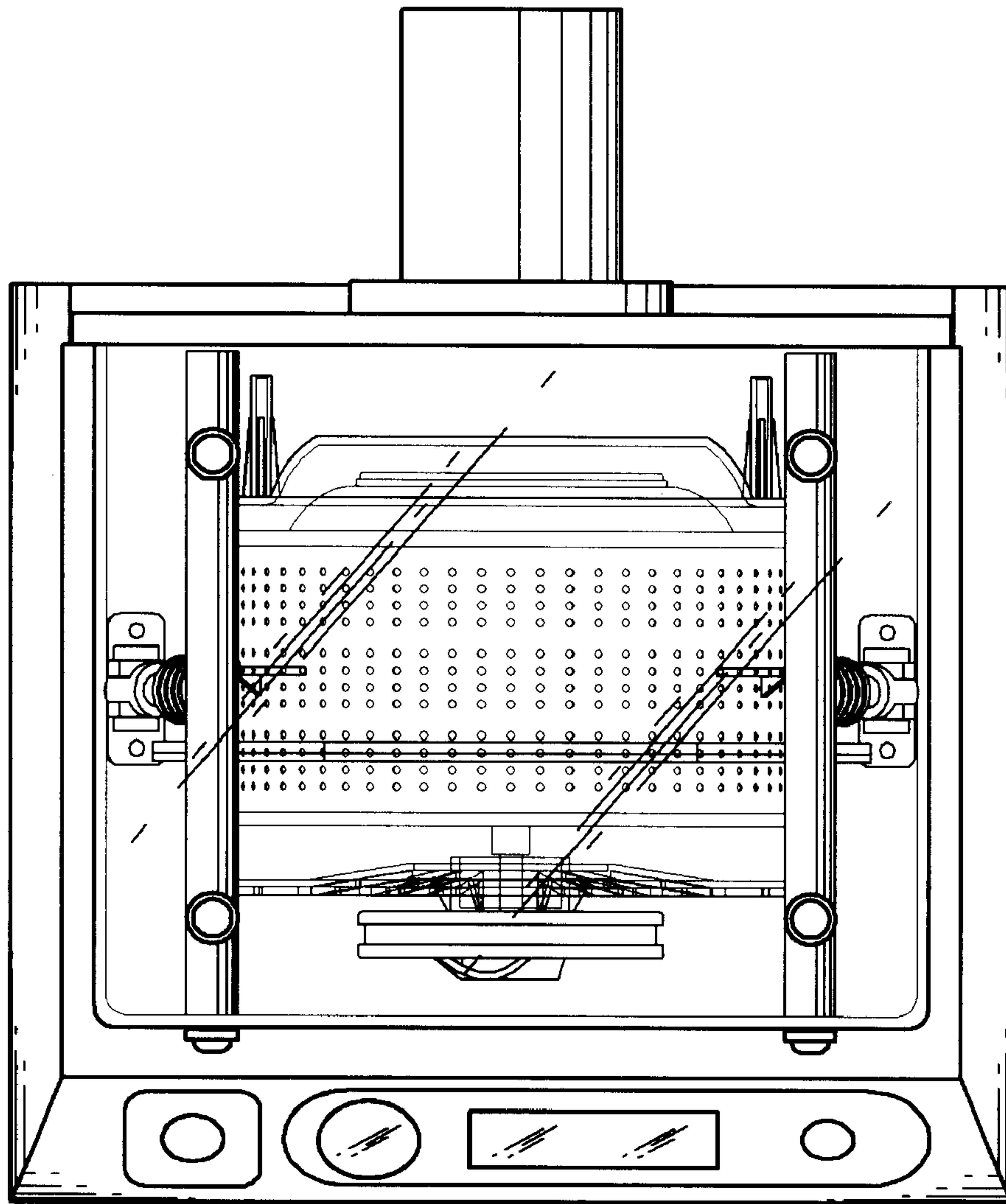


FIG. 6



**FIG. 7**

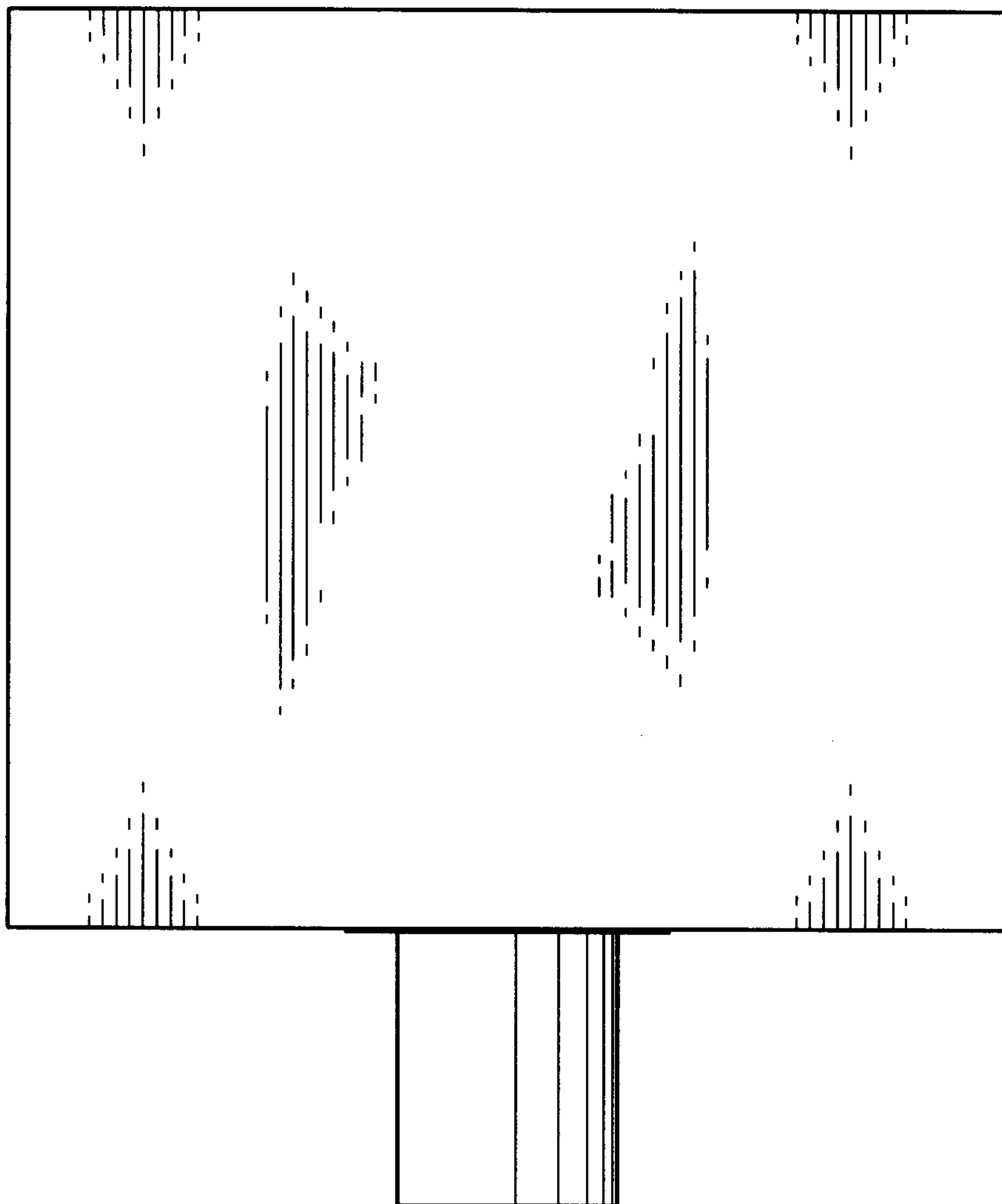




FIG. 8

