



US00D532939S

(12) **United States Design Patent**
Juhlin et al.

(10) **Patent No.:** **US D532,939 S**

(45) **Date of Patent:** **** Nov. 28, 2006**

(54) **TOP PORTION OF A WELDING HELMET**

(75) Inventors: **Oskar E. Juhlin**, Gustavsberg (SE);
Niklas Lilenthal, Djura (SE); **Kjell I. Mases**, Gagnef (SE); **David Crafoord**,
Bromma (SE); **Rutger Belin**, Leksand
(SE); **Lennart C. Fredriksson**,
Basvagen (SE); **Jonas D. Fridholm**,
Bromma (SE)

(73) Assignee: **3M Innovative Properties Company**,
St. Paul, MN (US)

(**) Term: **14 Years**

(21) Appl. No.: **29/236,062**

(22) Filed: **Aug. 9, 2005**

(51) **LOC (8) Cl.** **29-02**

(52) **U.S. Cl.** **D29/110**

(58) **Field of Classification Search** D29/102-110,
D29/122; 2/7-8, 410, 424, 427, 429, 9, 431-433,
2/441; 219/147; 359/361; 434/234; D24/110.2,
D24/110.3; 128/206.21

See application file for complete search history.

(56) **References Cited**

U.S. PATENT DOCUMENTS

D249,396 S	9/1978	Kamata
D251,156 S	2/1979	Schleicher et al.
D294,747 S	3/1988	Gevert
D312,513 S	11/1990	Morin
D331,299 S	11/1992	Kamata
D331,474 S	12/1992	Lehtonen
D340,546 S	10/1993	Kamata
D351,685 S	10/1994	Kamata
D354,375 S	1/1995	Lechner
D361,867 S	8/1995	Taniuchi
D365,666 S	12/1995	Gumpp
D393,933 S	4/1998	Huh
D411,900 S	7/1999	Puleo
D418,255 S	12/1999	Hohdorf
D445,546 S	7/2001	Gafforio

D446,357 S	8/2001	Shida
D450,160 S	11/2001	Kalhok
D452,592 S	12/2001	Kalhok
D452,643 S	1/2002	Morita
D461,935 S	8/2002	Hahm
D475,815 S	6/2003	Kalhok
D482,502 S	11/2003	Huh
D482,503 S	11/2003	Huh
D485,947 S	1/2004	Pelletier et al.
D485,948 S	1/2004	Yi
D492,817 S	7/2004	Simpson
D497,223 S	10/2004	Kalhok
D498,881 S	11/2004	Yi
D498,883 S	11/2004	Simpson

OTHER PUBLICATIONS

U.S. Appl. No. 29/236,040, filed Aug. 9, 2005 to Crafoord et al. entitled Welding Helmet Visor.

U.S. Appl. No. 29/236,038, filed Aug. 9, 2005 to Belin et al. entitled Welding Helmet Visor Flanges.

(Continued)

Primary Examiner—Ruth McInroy

(74) *Attorney, Agent, or Firm*—Karl G. Hanson

(57) **CLAIM**

The ornamental design for a top portion of a welding helmet, as shown and described.

DESCRIPTION

FIG. 1 is a perspective view, showing the new design for a top portion of a welding helmet;

FIG. 2 is a left side view, the right side view being a mirror image thereof;

FIG. 3 is a top view thereof;

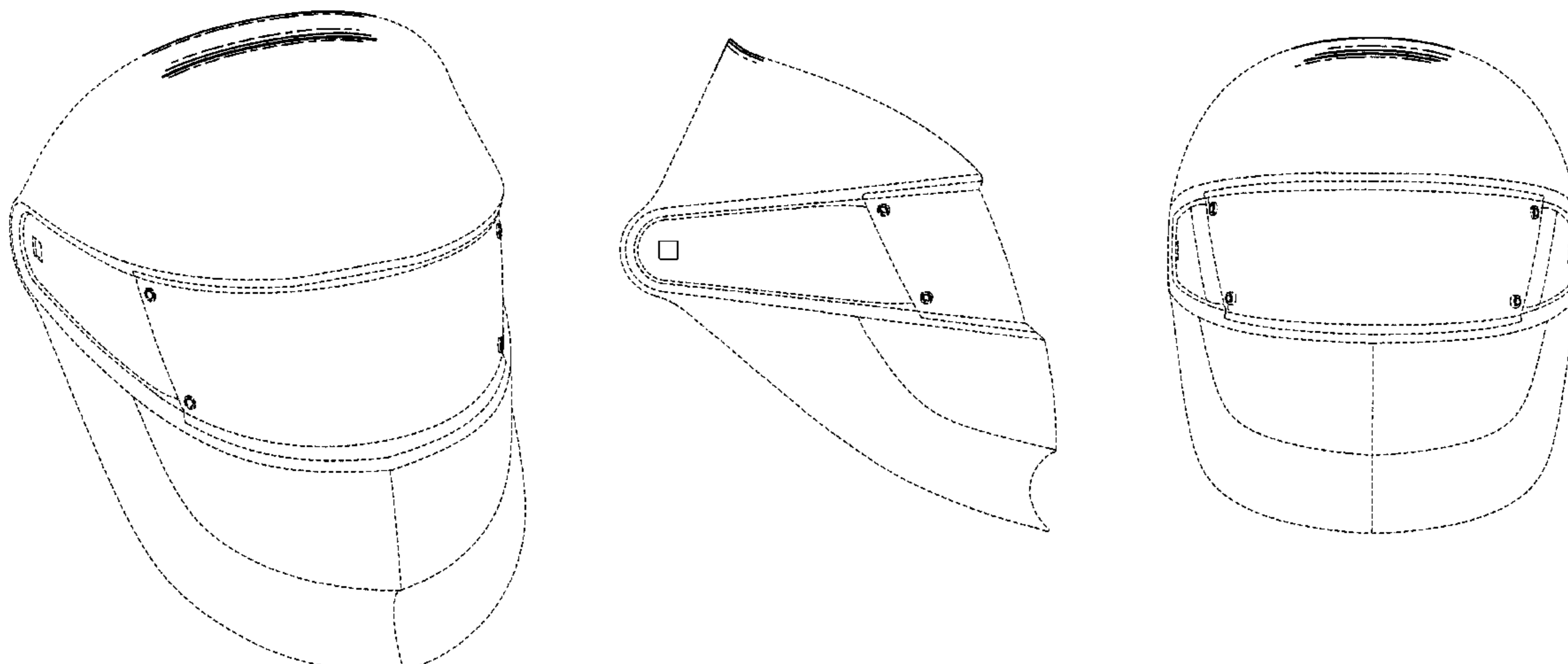
FIG. 4 is a front view thereof;

FIG. 5 is a bottom view thereof; and,

FIG. 6 is a rear view thereof.

The broken line showing forms no part of the claimed design, and the shading is provided to illustrate contour only and is not an indication of texture, gloss, etc.

1 Claim, 4 Drawing Sheets



OTHER PUBLICATIONS

U.S. Appl. No. 29/236,039, filed Aug. 9, 2005 to Fredriksson et al. entitled Side Portion Of A Welding Helmet.

U.S. Appl. No. 29/236,061, filed Aug. 9, 2005 to Fridholm et al. entitled Welding Helmet Lens Frame.

U.S. Appl. No. 29/236,060, filed Aug. 9, 2005 to Lilenthal et al. entitled Side Portion Of A Welding Helmet.

U.S. Appl. No. 29/236,009, filed Aug. 9, 2005 to Mases et al. entitled Ear Portion Of A Welding Helmet.

U.S. Appl. No. 29/236,058, filed Aug. 9, 2005 to Lilenthal et al. entitled Welding Helmet Lens Shield.

U.S. Appl. No. 29/236,057, filed Aug. 9, 2005 to Lilenthal et al. entitled Welding Helmet.

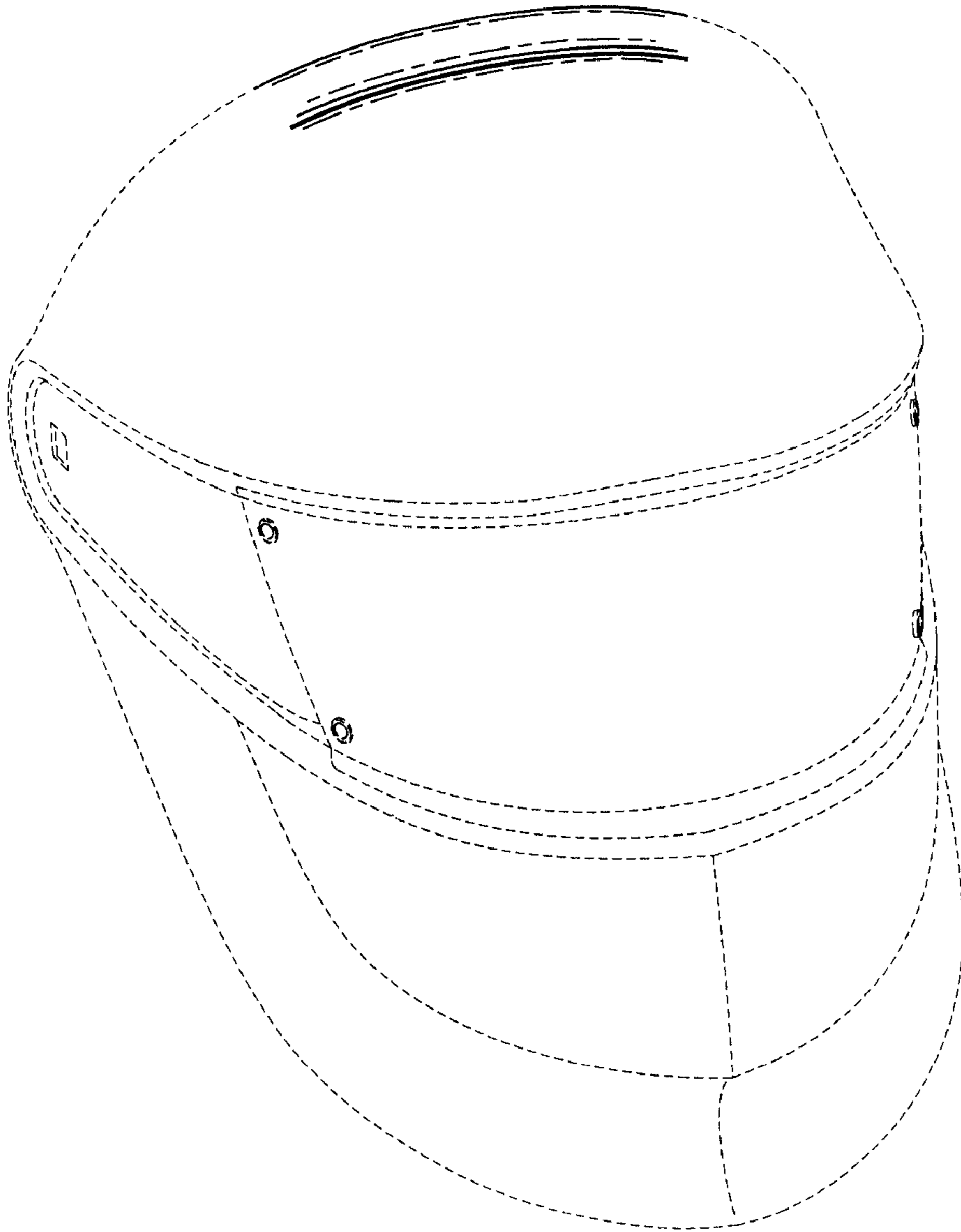


Fig. 1

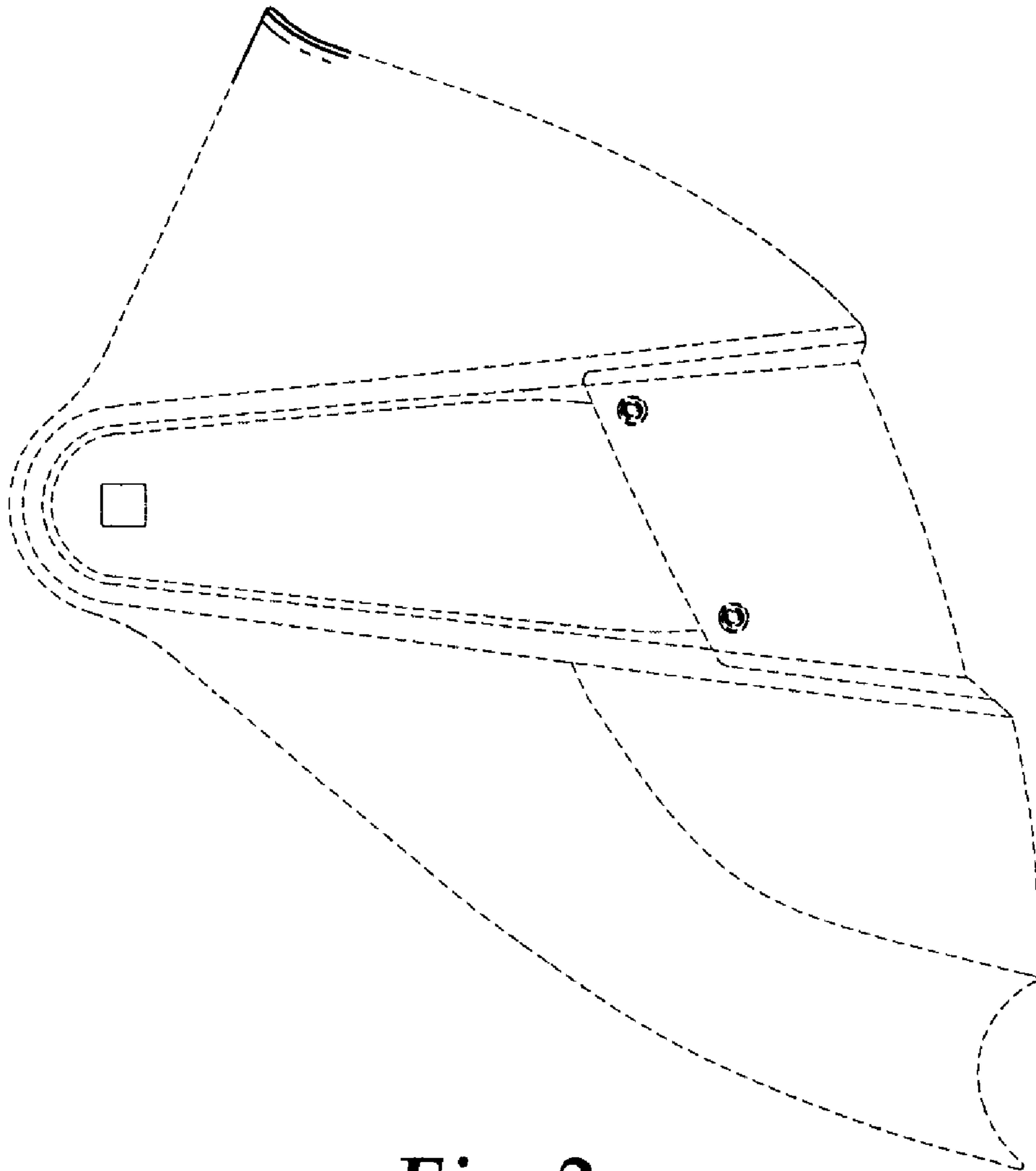


Fig. 2

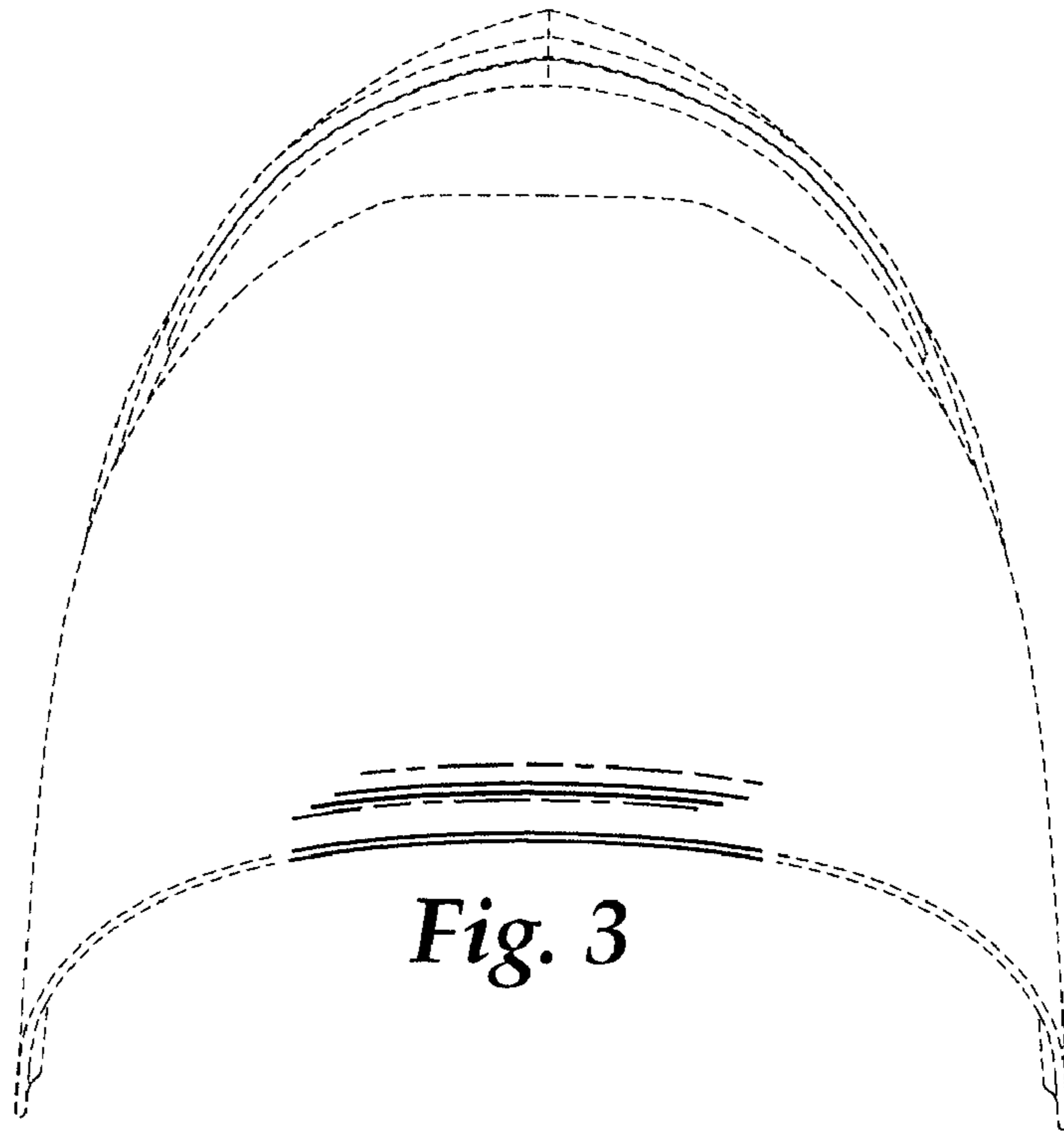


Fig. 3

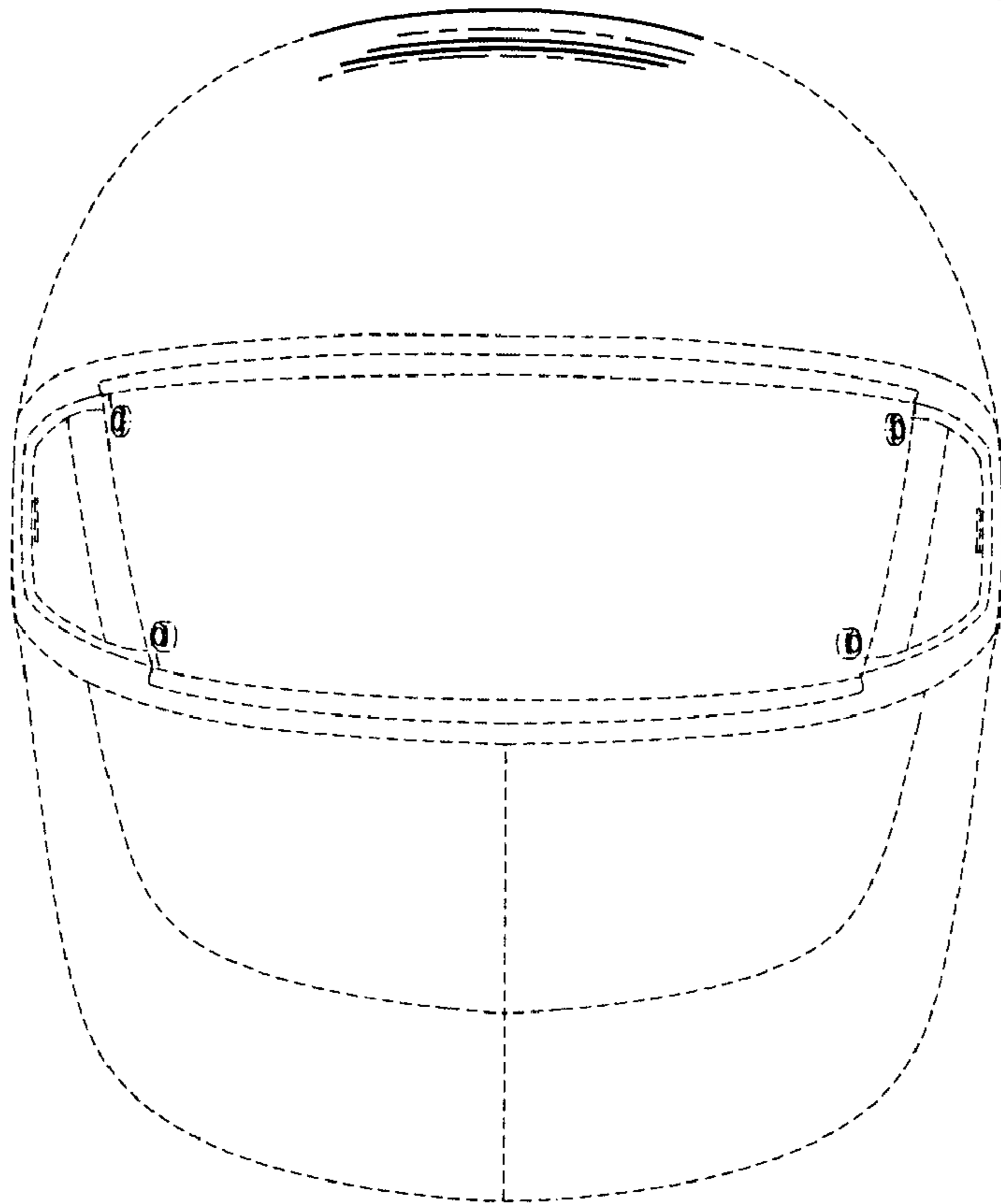


Fig. 4

