

US00D532937S

(12) **United States Design Patent**
Noh

(10) **Patent No.:** **US D532,937 S**

(45) **Date of Patent:** **** Nov. 28, 2006**

(54) **COSMETIC POWDER PUFF**

(75) Inventor: **Byong Hoo Noh**, Seoul (KR)

(73) Assignee: **Saint Coree International Co., Ltd**,
Gunpo-Si (KR)

(**) Term: **14 Years**

(21) Appl. No.: **29/251,990**

(22) Filed: **Jan. 18, 2006**

(51) **LOC (8) Cl.** **28-03**

(52) **U.S. Cl.** **D28/76; D28/91; D9/504**

(58) **Field of Classification Search** D28/76-82,
D28/85, 88-89, 91; 401/130, 266; 132/293-307,
132/317, 318, 320; D9/503-505, 529, 723,
D9/725, 727; 206/581, 823

See application file for complete search history.

(56) **References Cited**

U.S. PATENT DOCUMENTS

- D485,017 S * 1/2004 Noh D28/76
- D493,721 S * 8/2004 Puigbo D9/504
- D499,648 S * 12/2004 Lewis et al. D9/504

- D504,542 S * 4/2005 Noh D28/76
- 2003/0041872 A1 * 3/2003 Noa 132/320
- 2004/0035438 A1 * 2/2004 Hwang et al. 132/299
- 2005/0011895 A1 * 1/2005 Lin 132/293

* cited by examiner

Primary Examiner—Jennifer Rivard

(74) *Attorney, Agent, or Firm*—Birch, Stewart, Kolasch & Birch, LLP

(57) **CLAIM**

The ornamental design for a cosmetic powder puff, as shown and described.

DESCRIPTION

FIG. 1 is a perspective view of a cosmetic powder puff showing my new design;
 FIG. 2 is a front elevational view thereof;
 FIG. 3 is a rear elevational view thereof;
 FIG. 4 is a left side elevational view thereof;
 FIG. 5 is a right side elevational view thereof;
 FIG. 6 is a top plan view thereof;
 FIG. 7 is a bottom plan view thereof; and,
 FIG. 8 is a perspective view thereof in an open state.

1 Claim, 5 Drawing Sheets

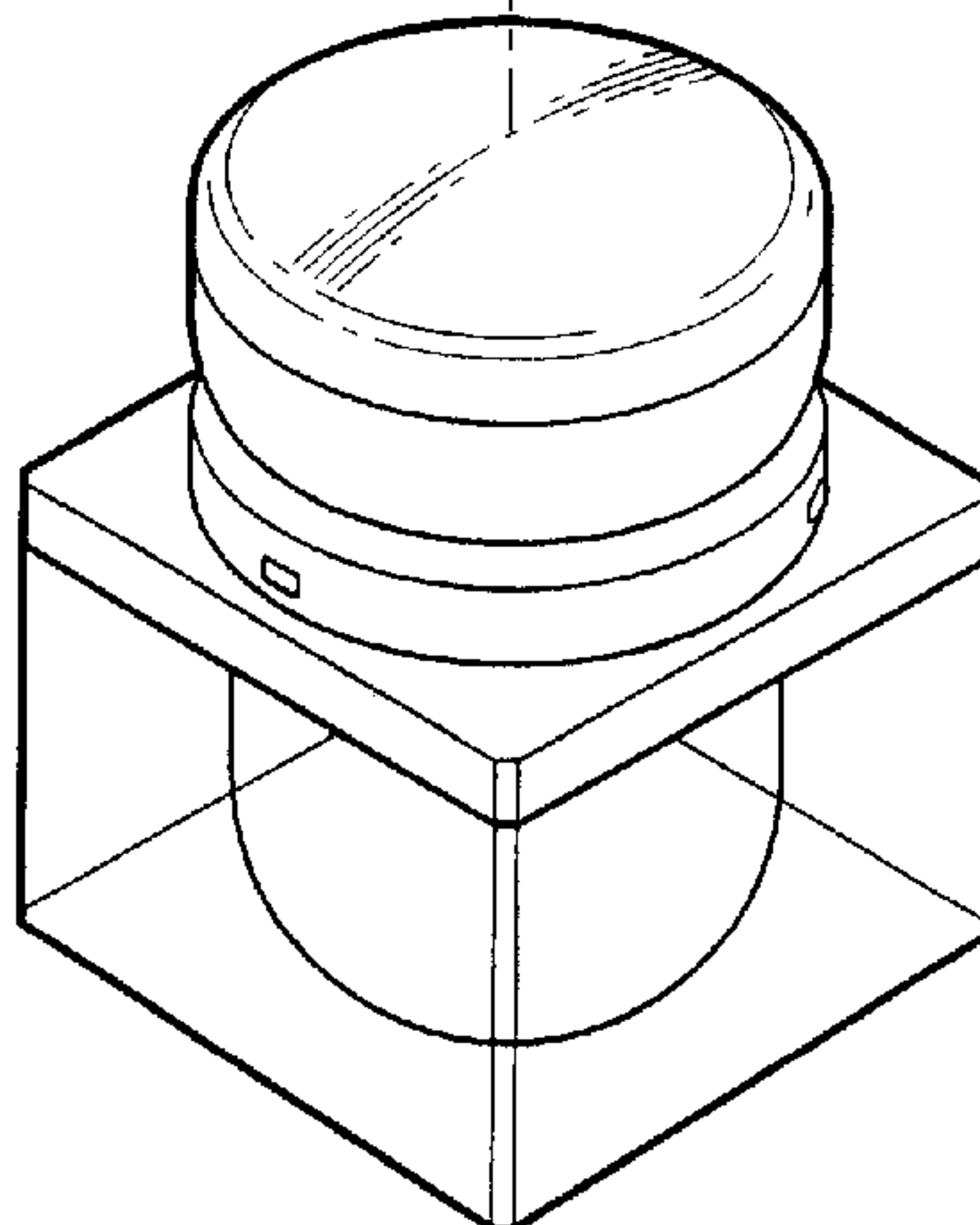
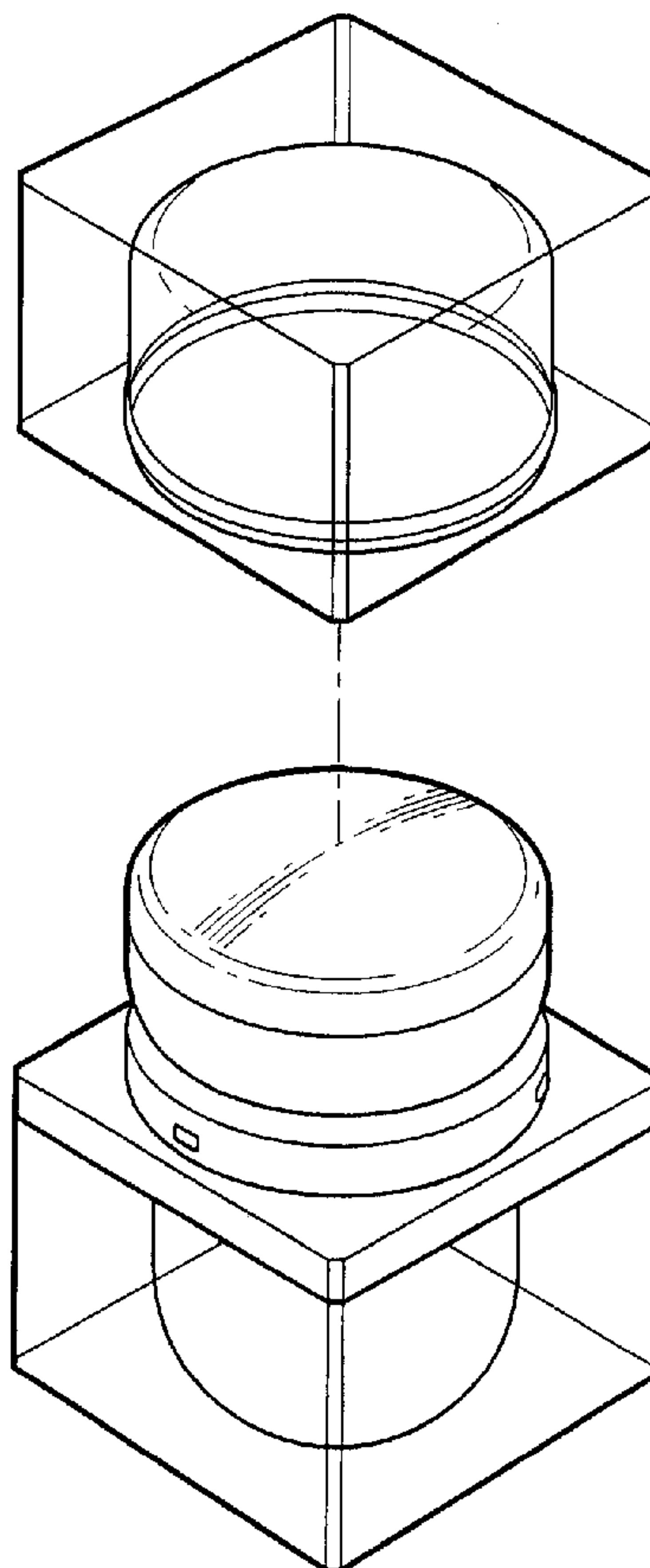
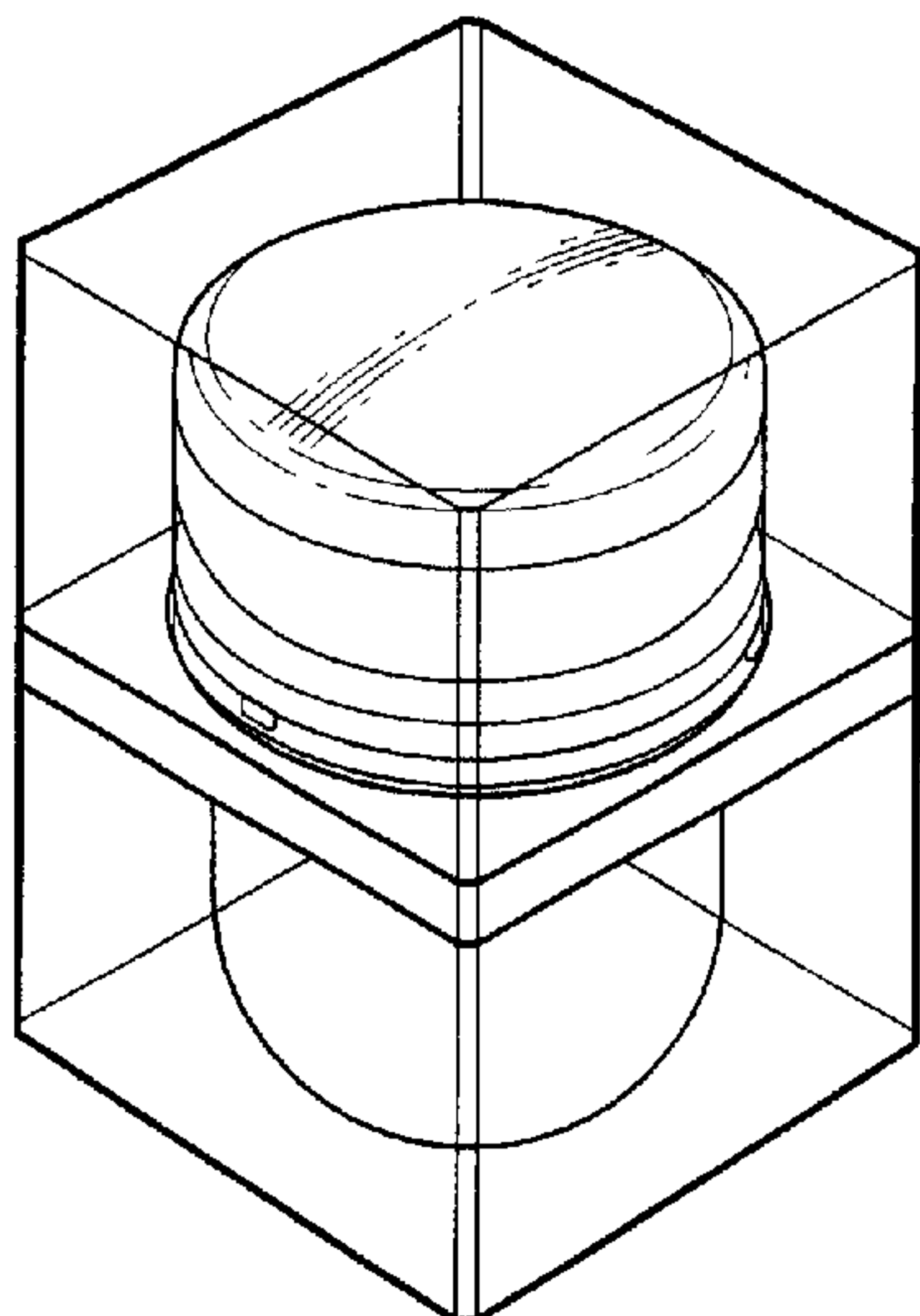


FIG. 1

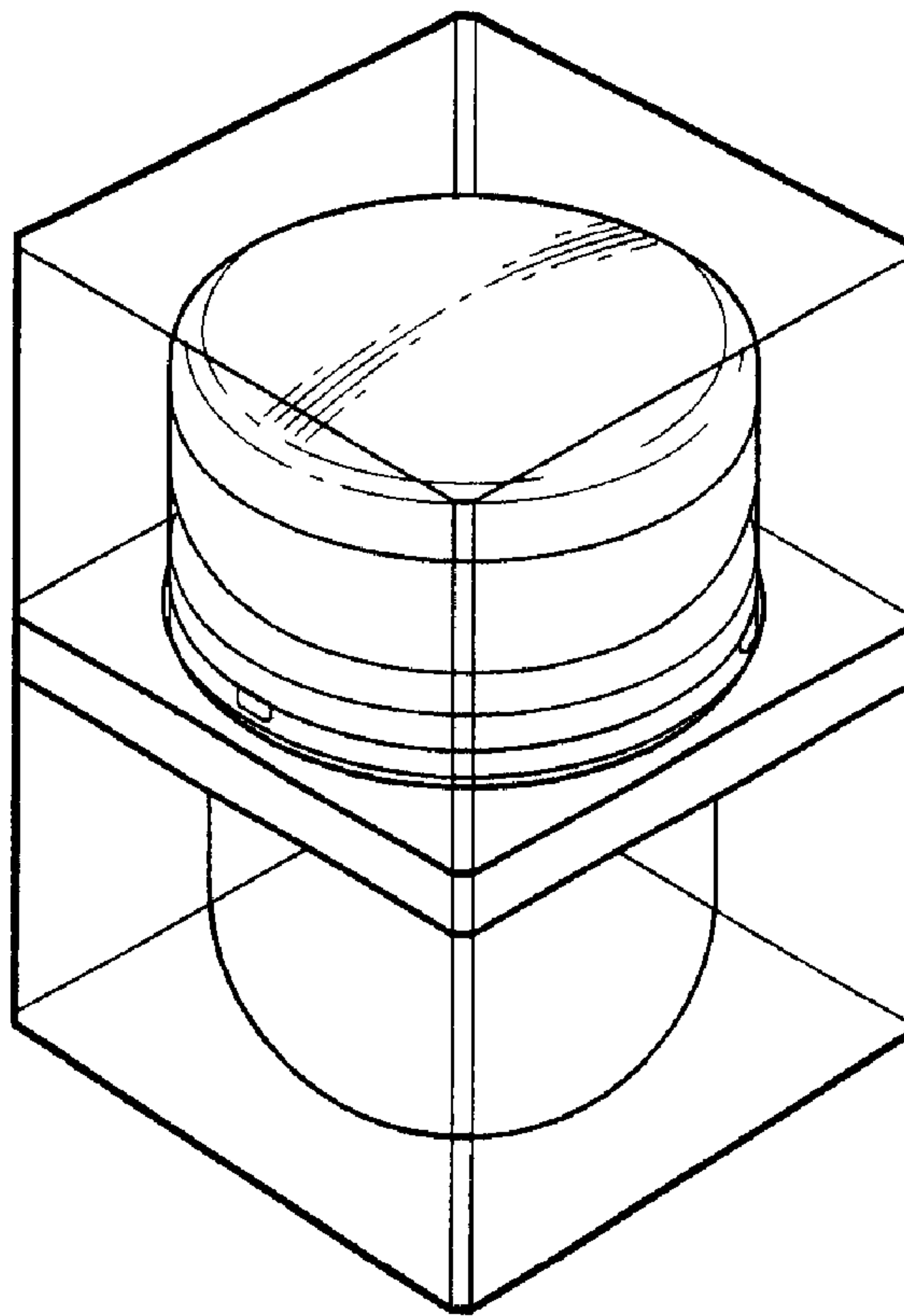


FIG. 2

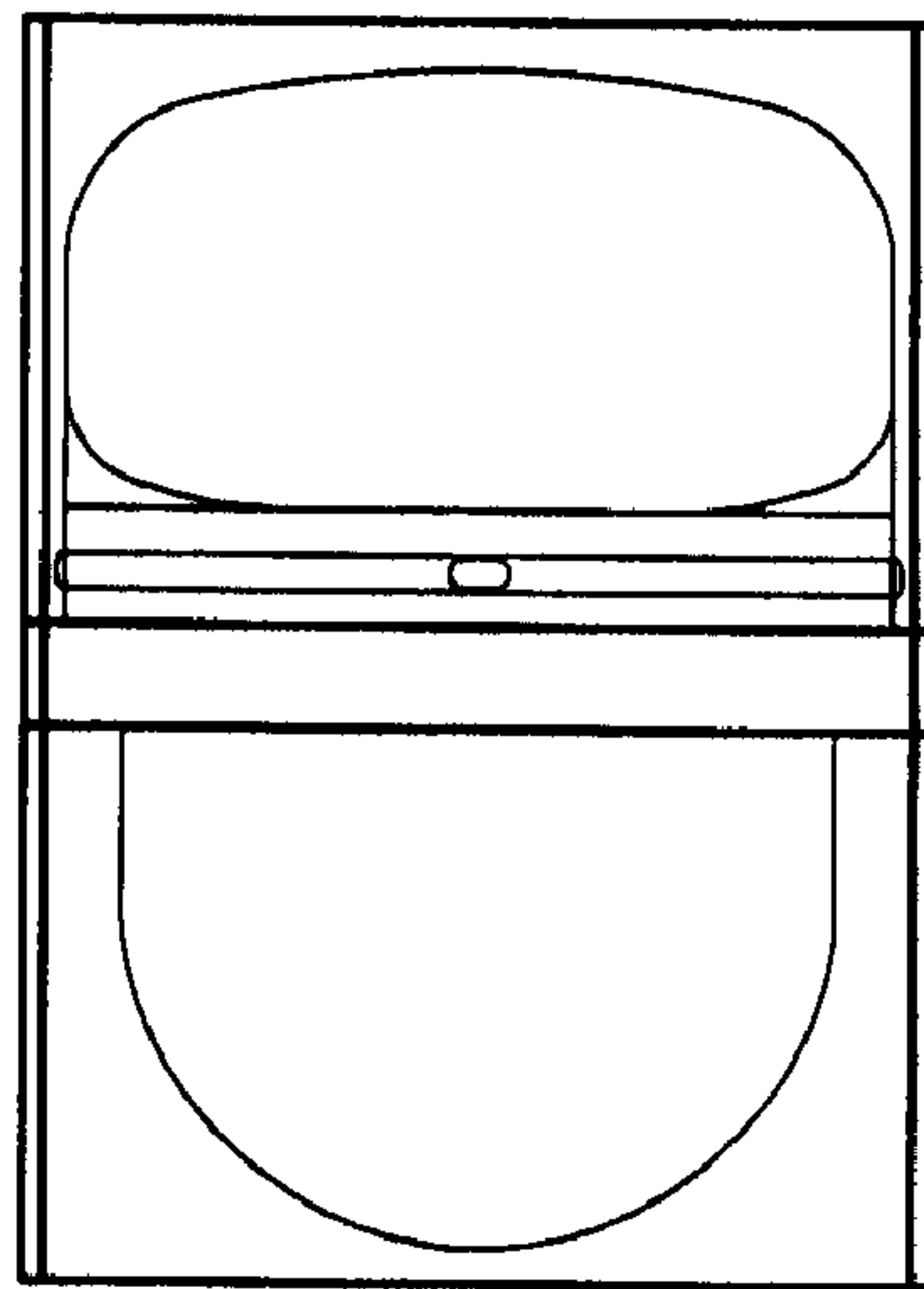


FIG. 3

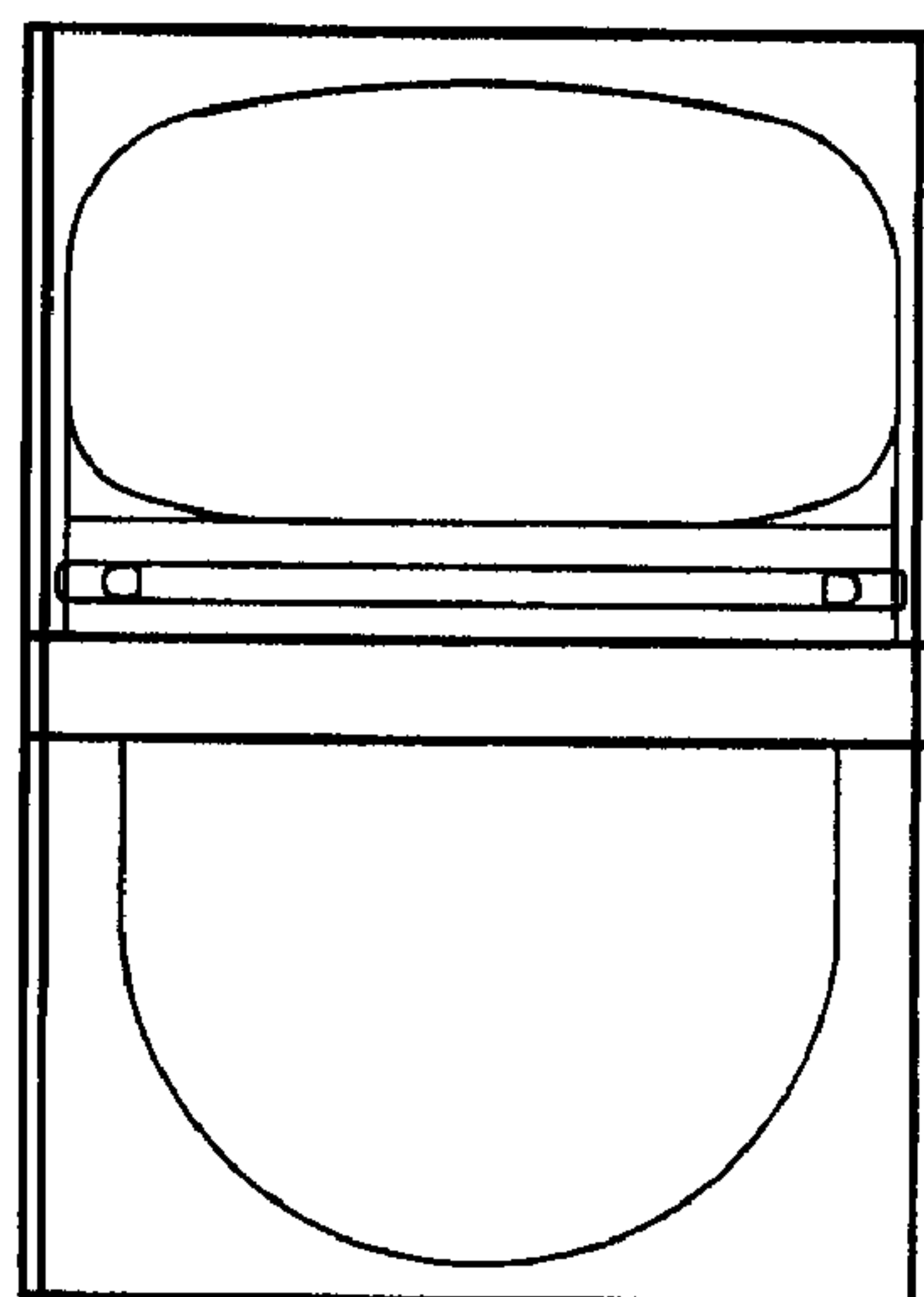


FIG. 4

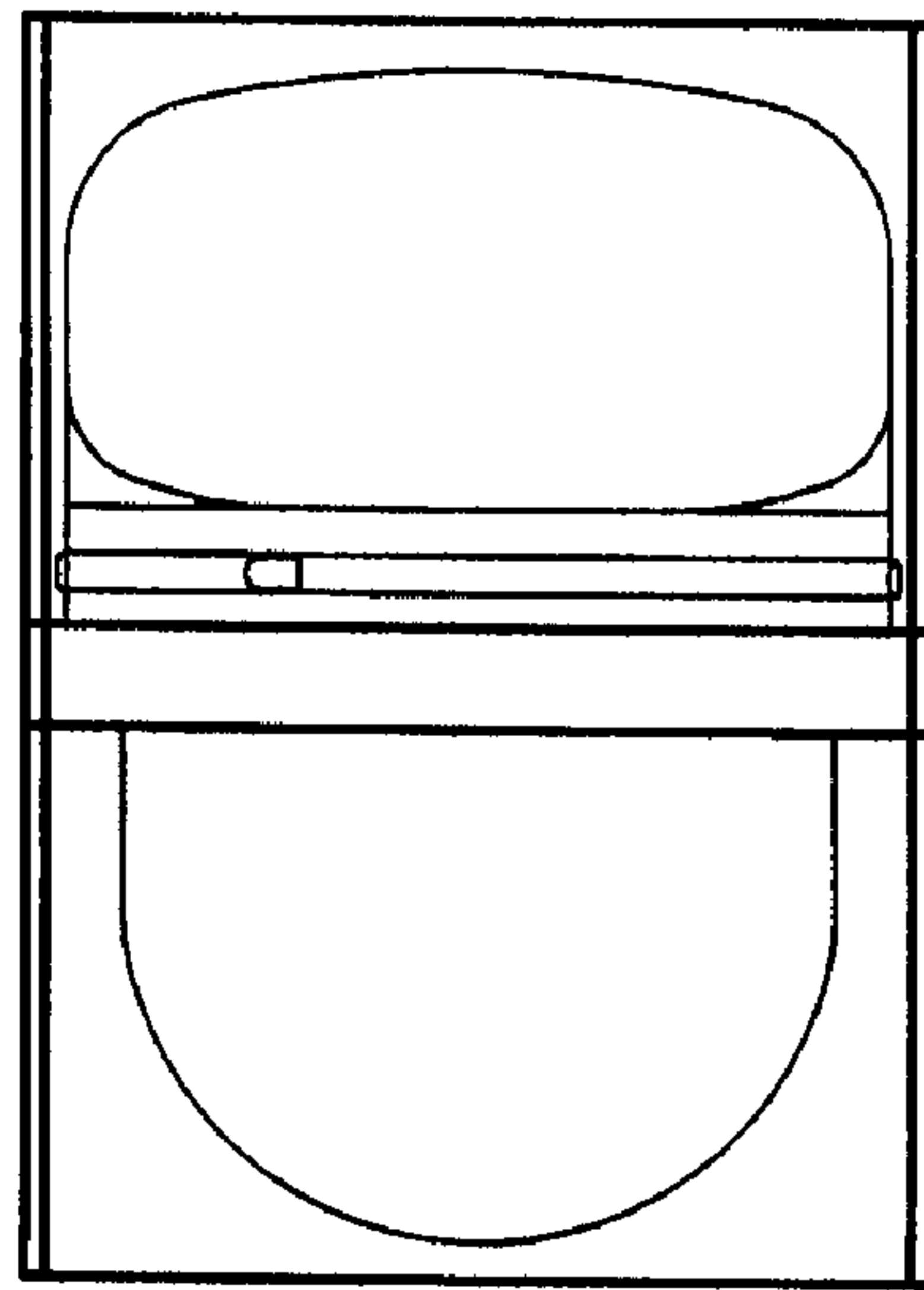


FIG. 5

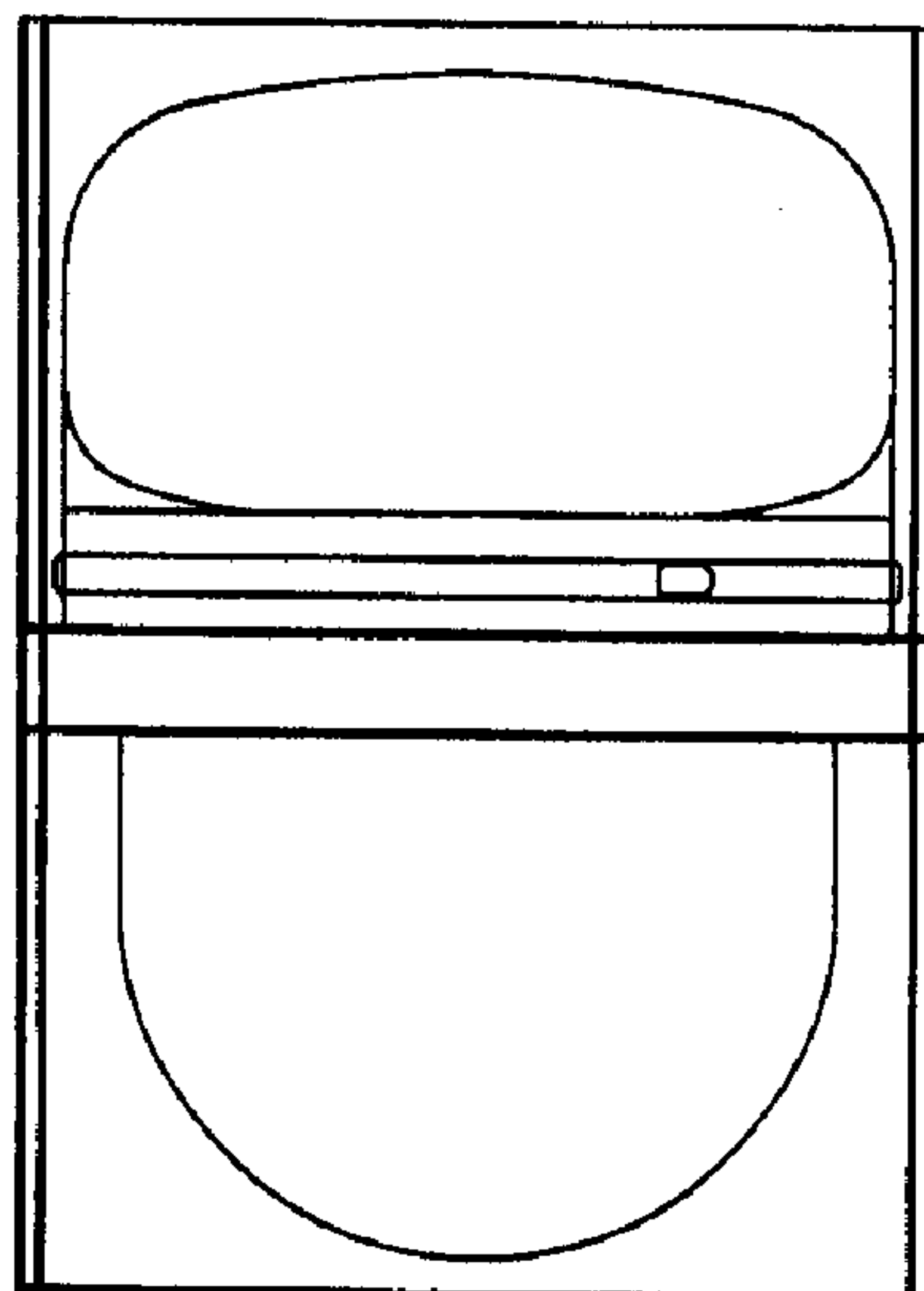


FIG. 6

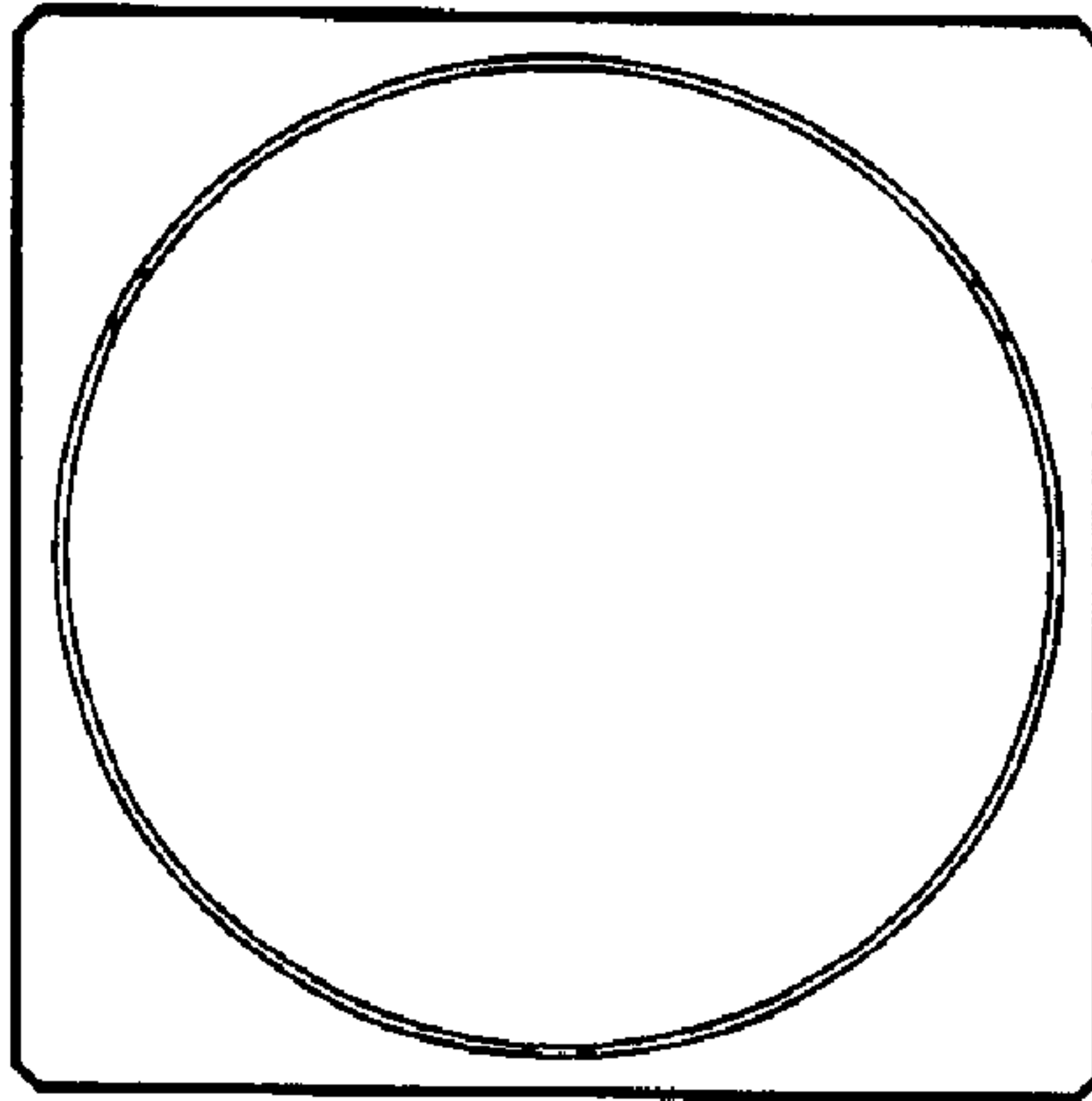


FIG. 7

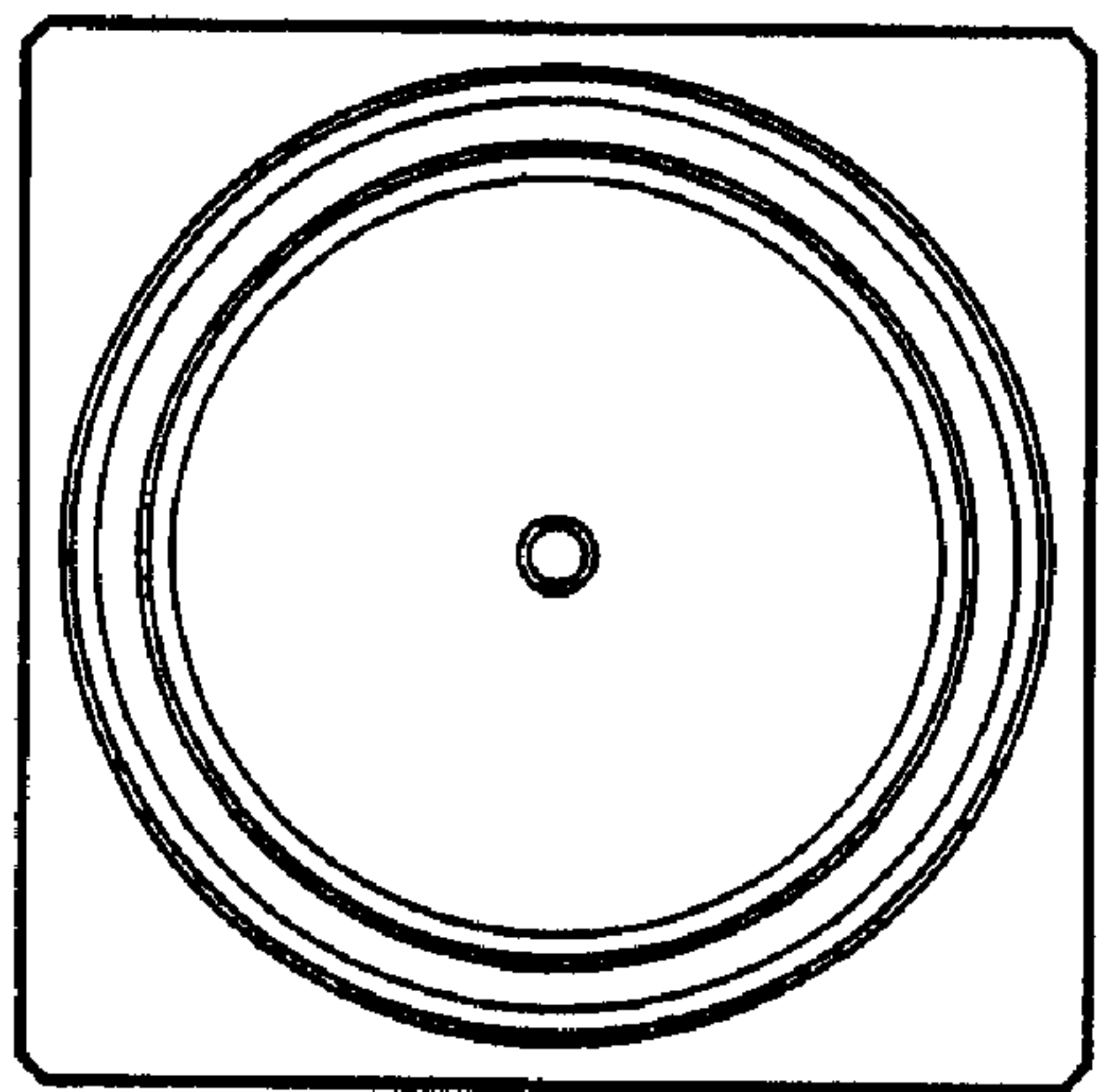


FIG. 8

