



US00D532932S

(12) **United States Design Patent** (10) **Patent No.:** **US D532,932 S**
Shih (45) **Date of Patent:** **** Nov. 28, 2006**

(54) **TWEEZERS**

(76) Inventor: **Shiny Shih**, No. 31, Lane 349,
Chungcheng S. Rd., Yungkang City,
Tainan Hsien (TW)

(**) Term: **14 Years**

(21) Appl. No.: **29/243,911**

(22) Filed: **Dec. 2, 2005**

(51) **LOC (8) Cl.** **28-03**

(52) **U.S. Cl.** **D28/55; D24/143**

(58) **Field of Classification Search** D28/55;
606/133, 210, 211; D24/143; 294/99.1, 99.2
See application file for complete search history.

(56) **References Cited**

U.S. PATENT DOCUMENTS

4,212,305 A * 7/1980 Lahay 606/210
D272,664 S * 2/1984 Jones D28/55
5,078,729 A * 1/1992 Eichhorn 606/210

D515,742 S * 2/2006 Anderson et al. D28/55
2004/0145201 A1 * 7/2004 Cho 294/99.2

* cited by examiner

Primary Examiner—Jennifer Rivard

(74) *Attorney, Agent, or Firm*—Bacon & Thomas

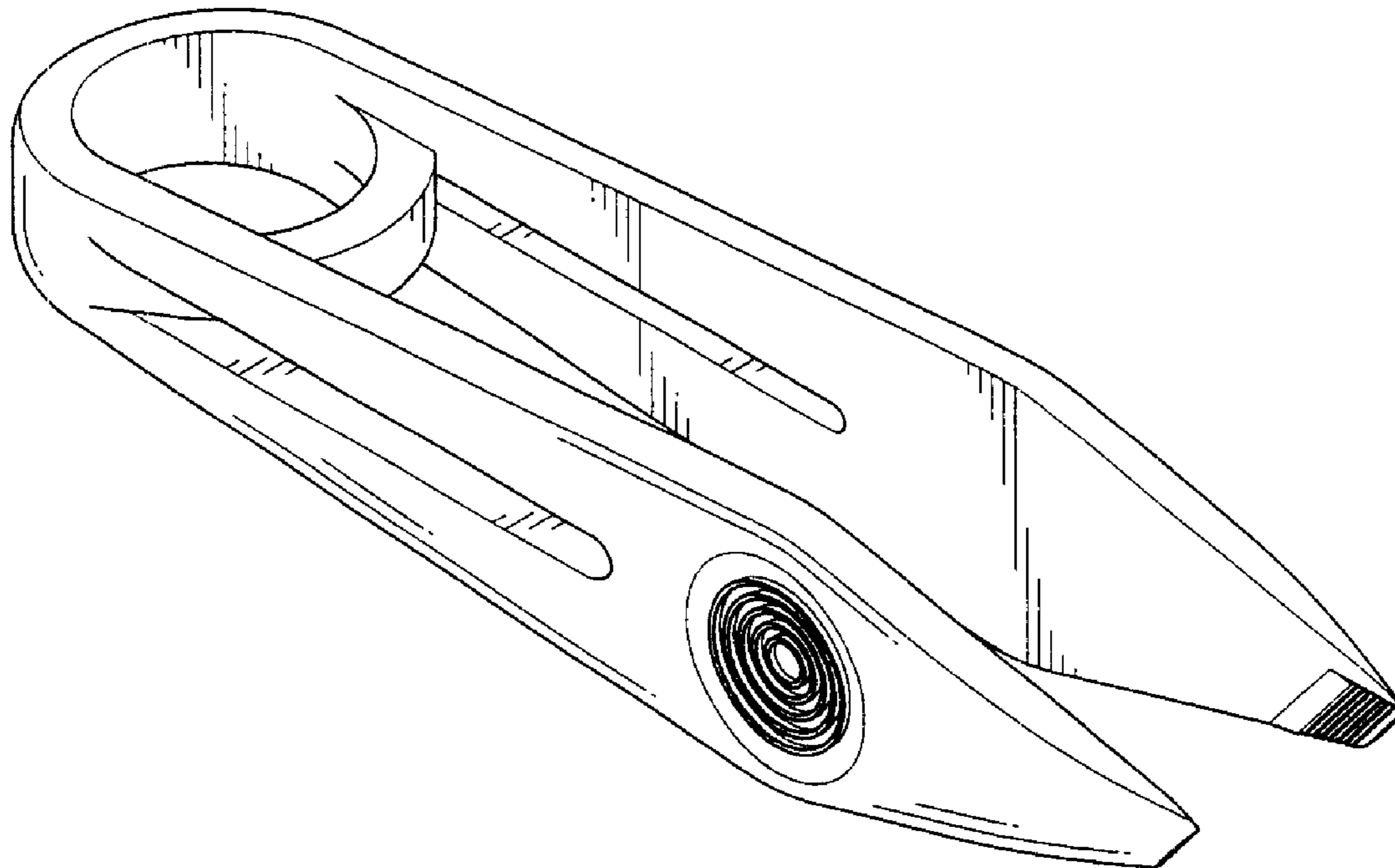
(57) **CLAIM**

The ornamental design for a tweezers, as shown and described.

DESCRIPTION

FIG. 1 is a perspective view of a tweezers, showing my new design;
FIG. 2 is a front view thereof;
FIG. 3 is a rear view thereof;
FIG. 4 is a left view thereof;
FIG. 5 is a right view thereof;
FIG. 6 is a top view thereof; and,
FIG. 7 is a bottom view thereof.

1 Claim, 4 Drawing Sheets



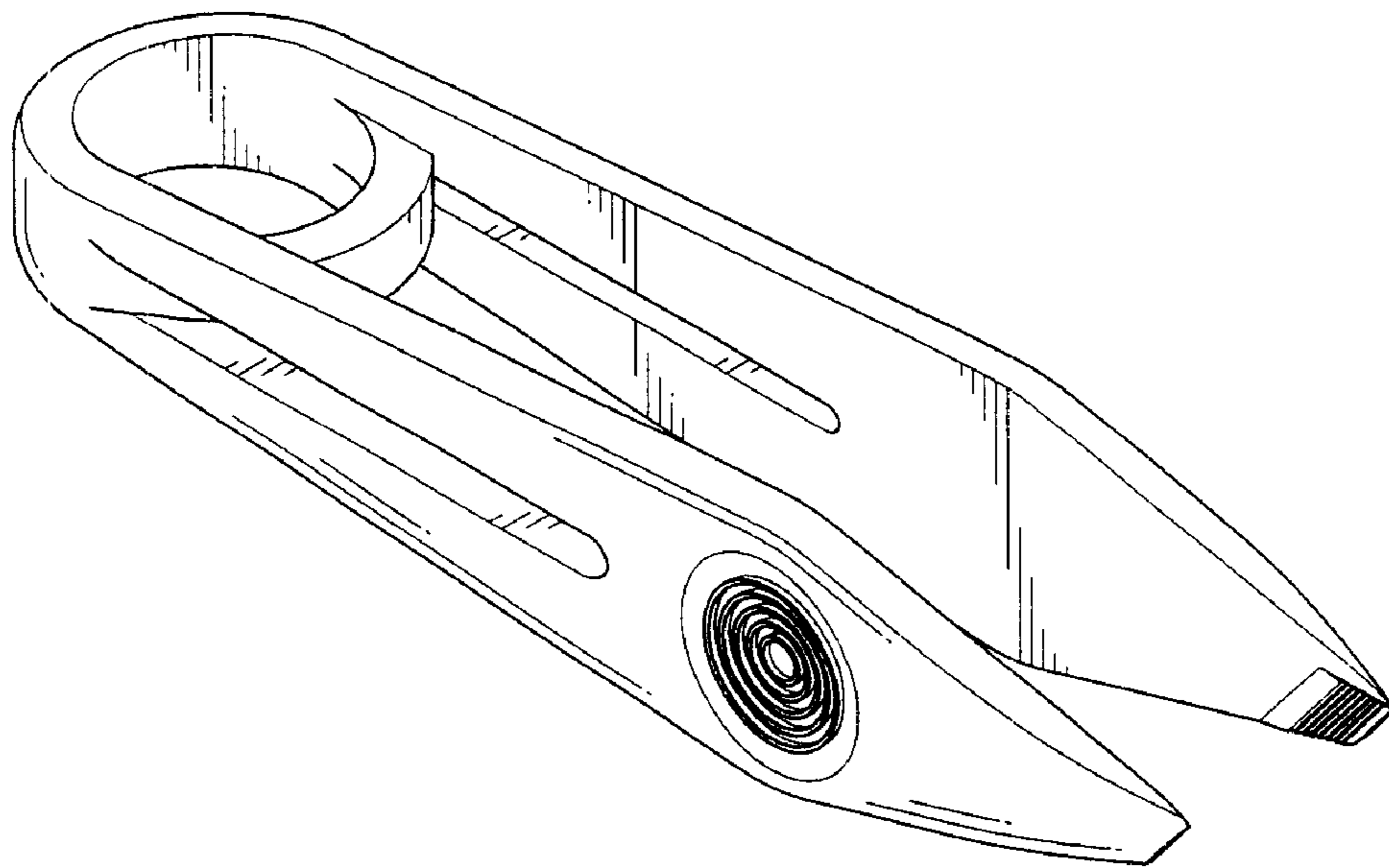


FIG. 1

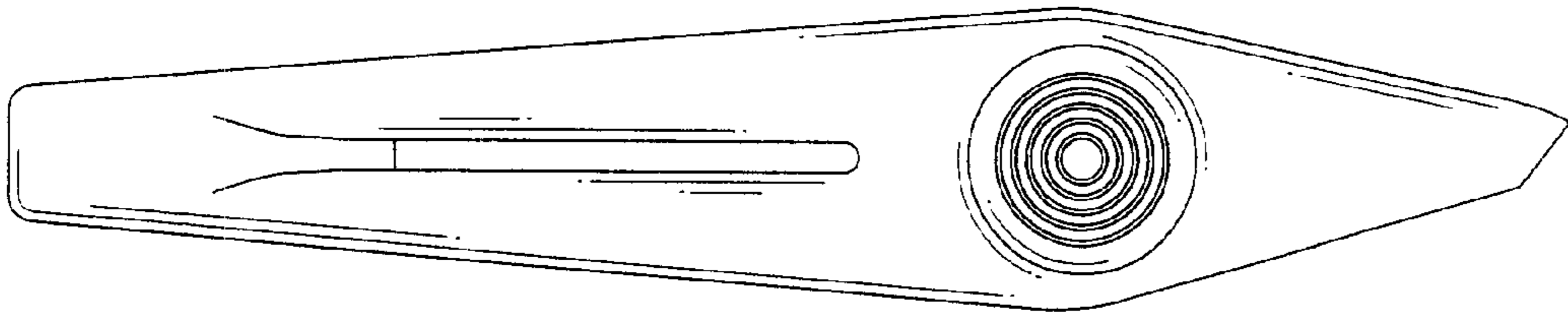


FIG.2

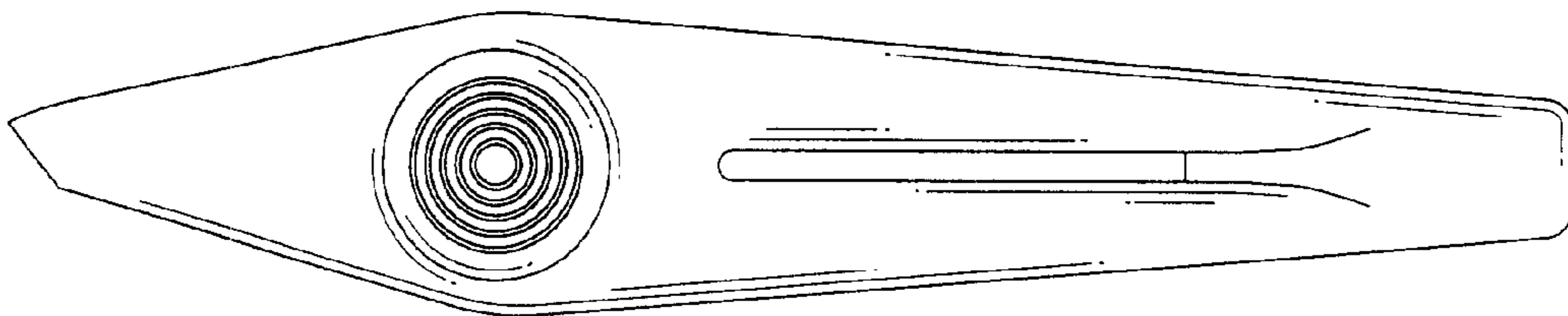


FIG.3

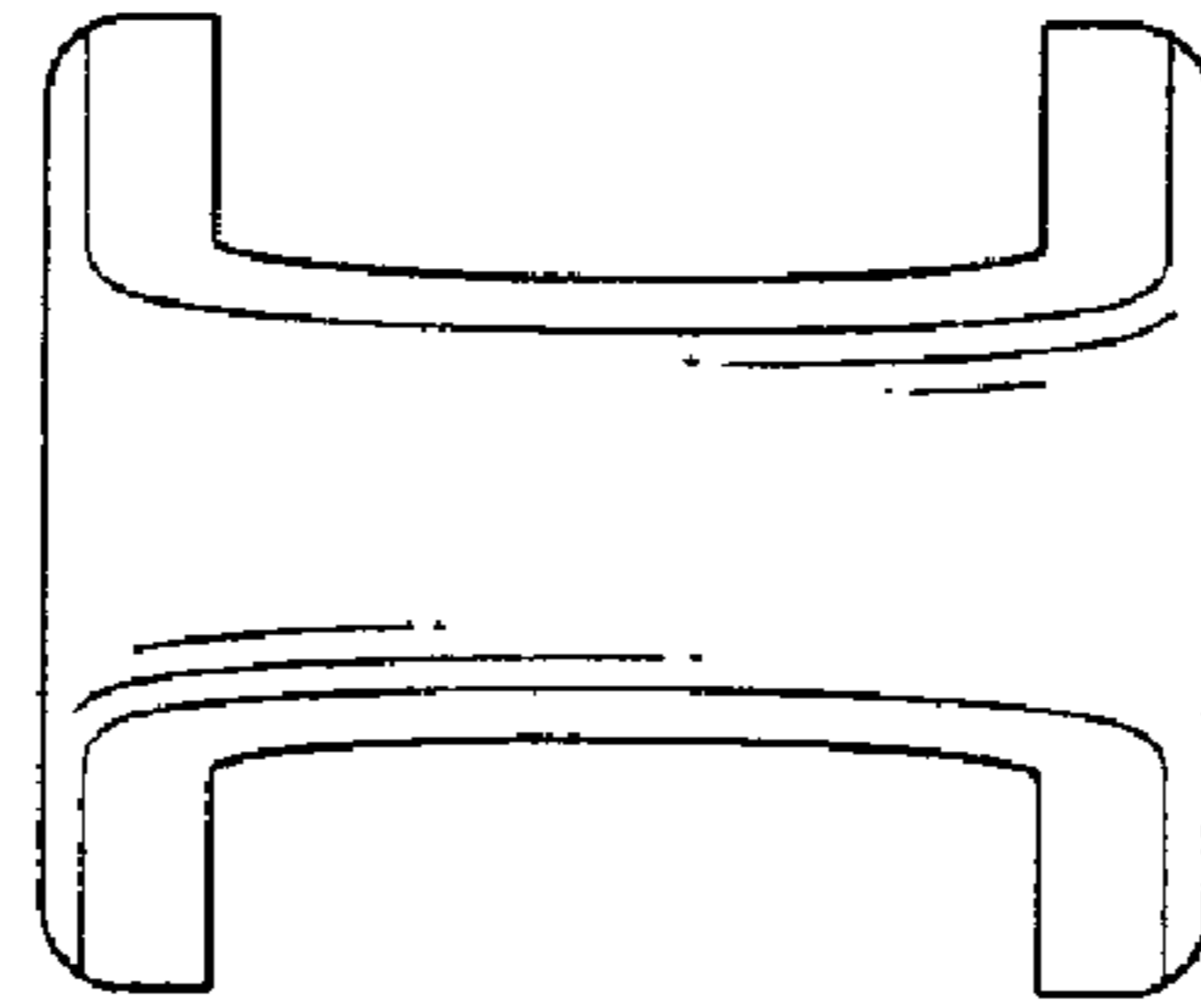


FIG. 4

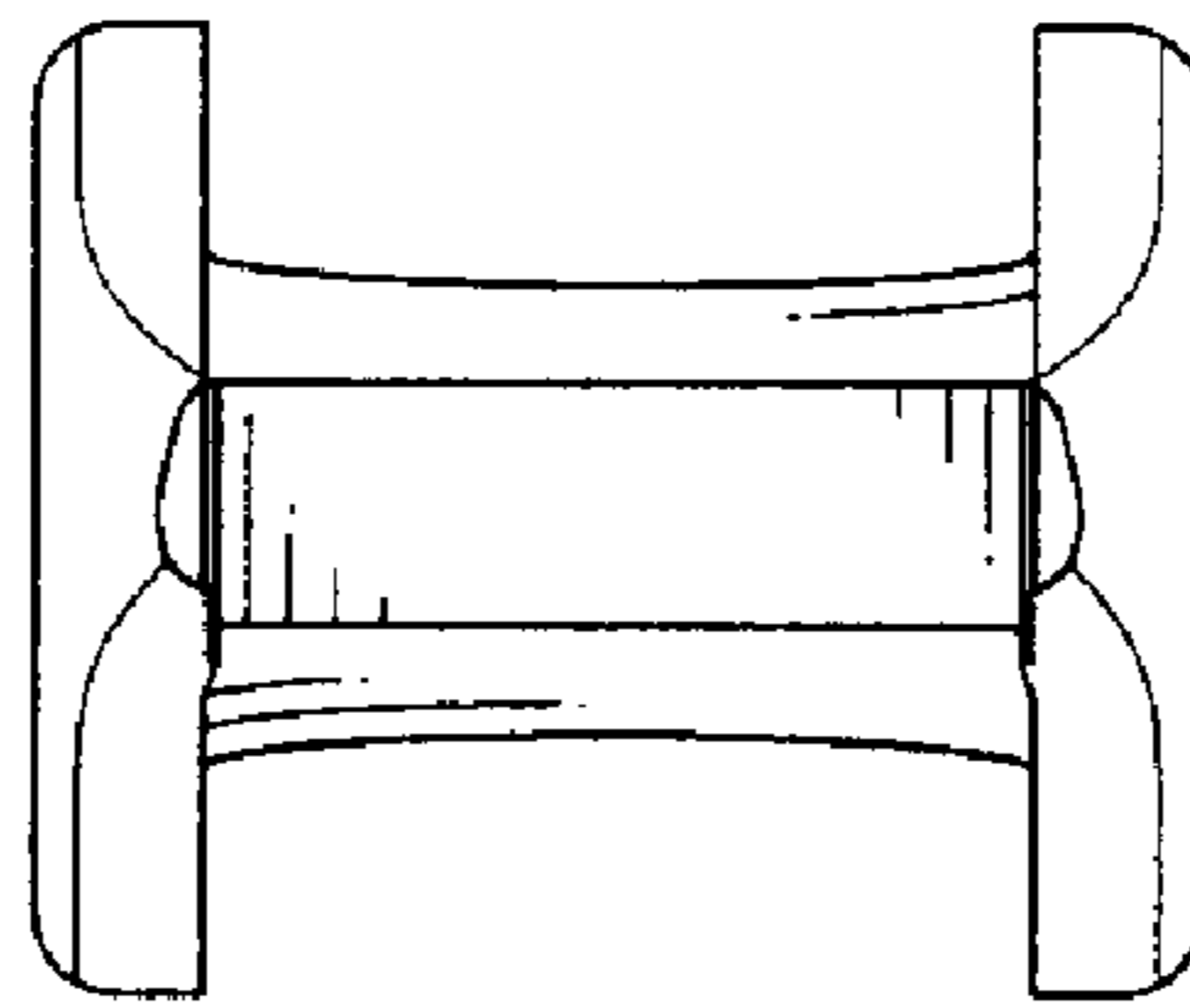


FIG. 5

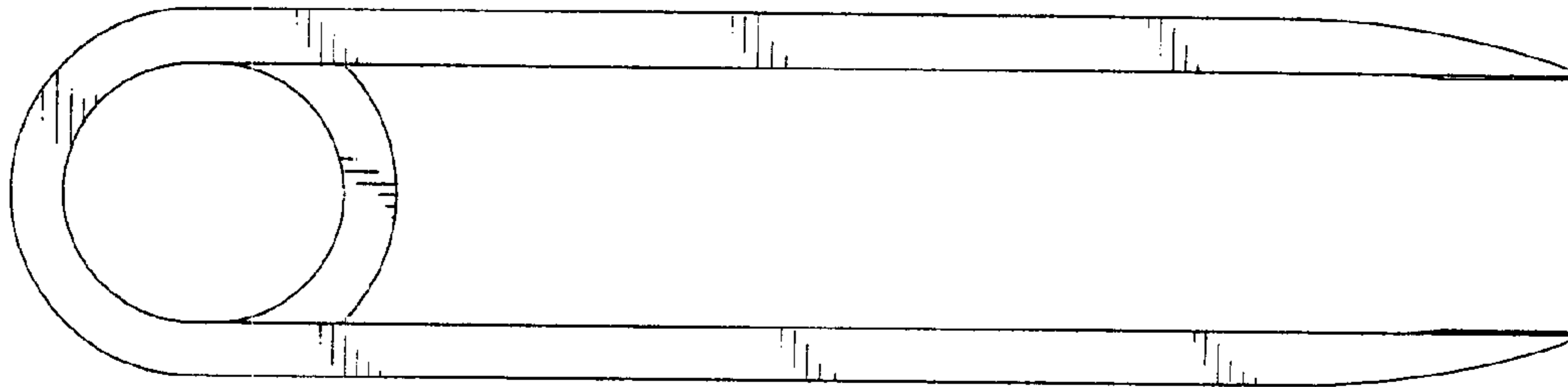


FIG. 6

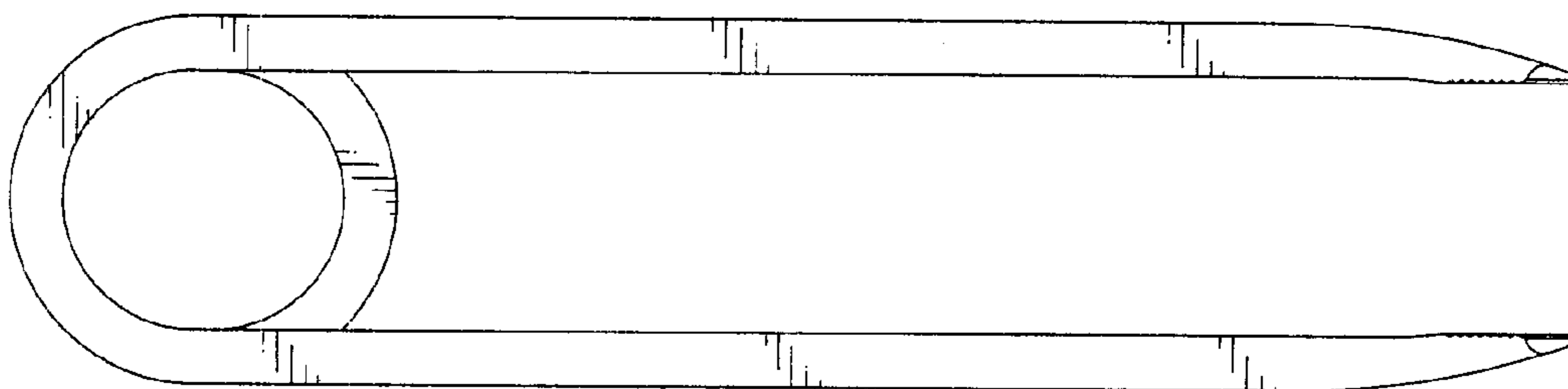


FIG. 7