



US00D532931S

(12) **United States Design Patent**
Chang

(10) **Patent No.:** **US D532,931 S**

(45) **Date of Patent:** **** Nov. 28, 2006**

(54) **UV GEL LIGHT**

D463,624 S * 9/2002 Oduber D28/54.1

(76) Inventor: **David Chang**, 1740 Barcelona Ave.,
Placentia, CA (US) 92870

OTHER PUBLICATIONS

YCC Products, Inc. UV Light (Jul. 2003) 3 pages.

(**) Term: **14 Years**

* cited by examiner

(21) Appl. No.: **29/221,316**

Primary Examiner—Janice E. Seeger

Assistant Examiner—Zenia I Bennett

(22) Filed: **Jan. 13, 2005**

(74) *Attorney, Agent, or Firm*—Stetina Brunda Garred &
Brucker

(51) **LOC (8) Cl.** **28-03**

(52) **U.S. Cl.** **D28/54.1; D24/210**

(57) **CLAIM**

(58) **Field of Classification Search** D28/54.1,
D28/58, 12; 392/380, 381; D23/357, 361,
D23/385; 34/266, 201, 202; D7/91, 350.4

The ornamental design for a UV gel light, as shown and
described.

See application file for complete search history.

DESCRIPTION

(56) **References Cited**

FIG. 1 is a rear perspective drawing of the invention;

FIG. 2 is a top view of the invention;

FIG. 3 is a rear view of the invention;

FIG. 4 is a bottom view of the invention;

FIG. 5 is front view of the invention;

FIG. 6 is a left side view of the invention; and,

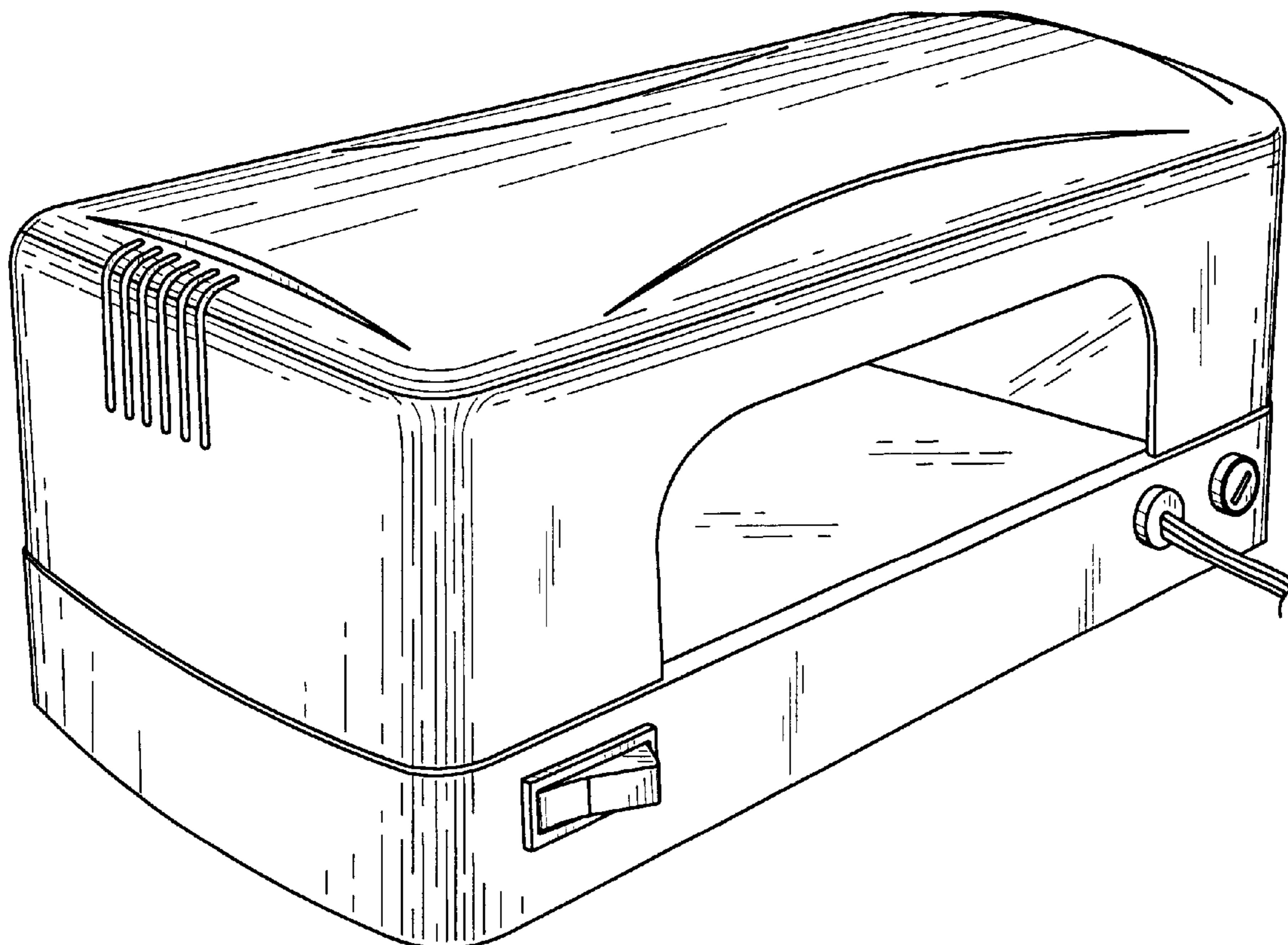
FIG. 7 is a right side view of the invention.

The cord in FIGS. 1–4 and 6–7 is shown broken away to
show indeterminate length and for ease of illustration.

U.S. PATENT DOCUMENTS

D193,126 S	*	6/1962	Bradbury	D28/58
3,930,320 A	*	1/1976	Henderson	34/202
D253,271 S	*	10/1979	Rakocy	D7/350.4
D292,625 S	*	11/1987	Fung	D28/58
D310,724 S	*	9/1990	Jackson	D28/54.1
D381,464 S	*	7/1997	Schaeffer et al.	D28/54.1
D450,389 S	*	11/2001	Chang	D24/210
D453,858 S	*	2/2002	Tsai	D28/54.1

1 Claim, 3 Drawing Sheets



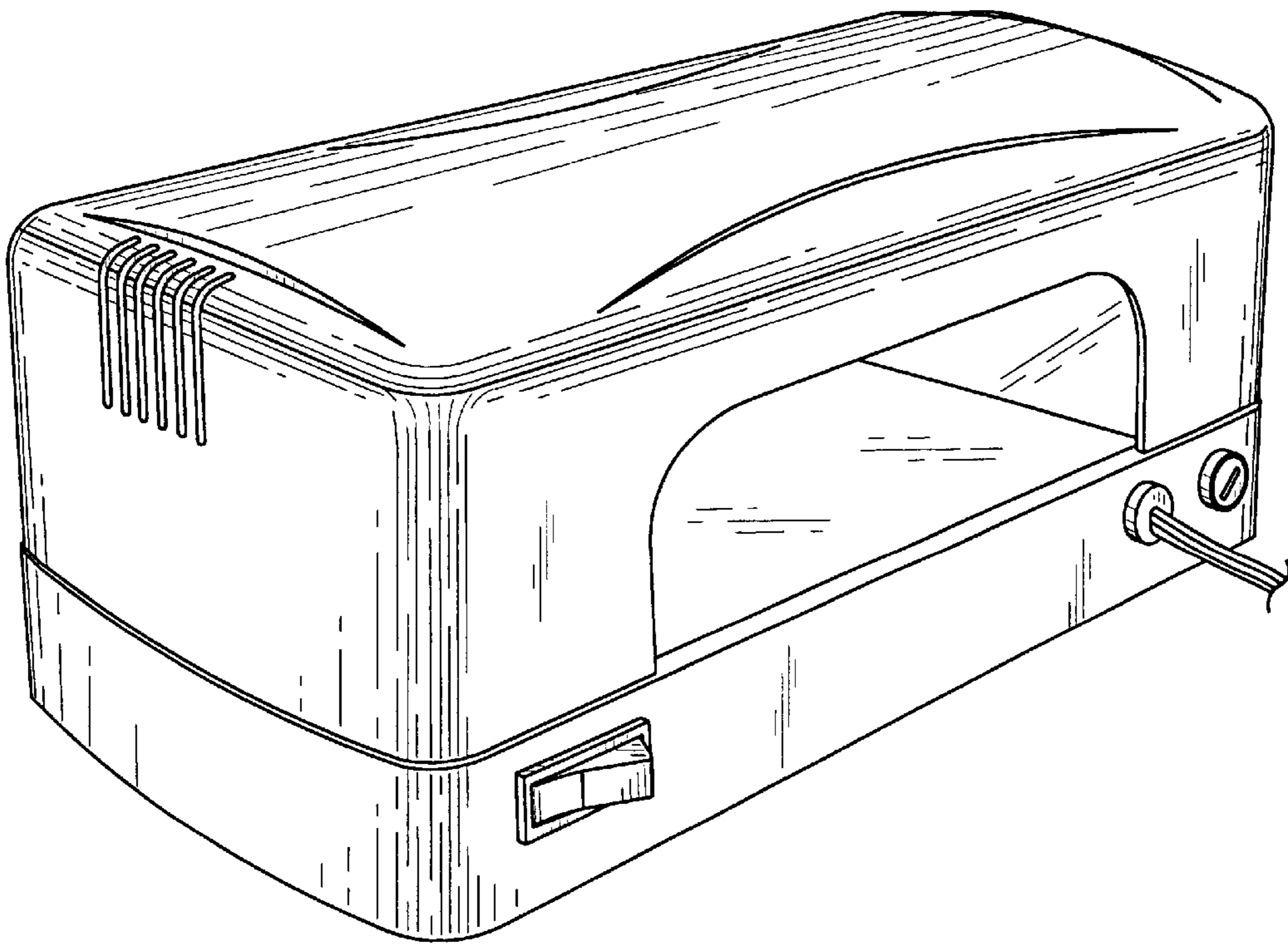
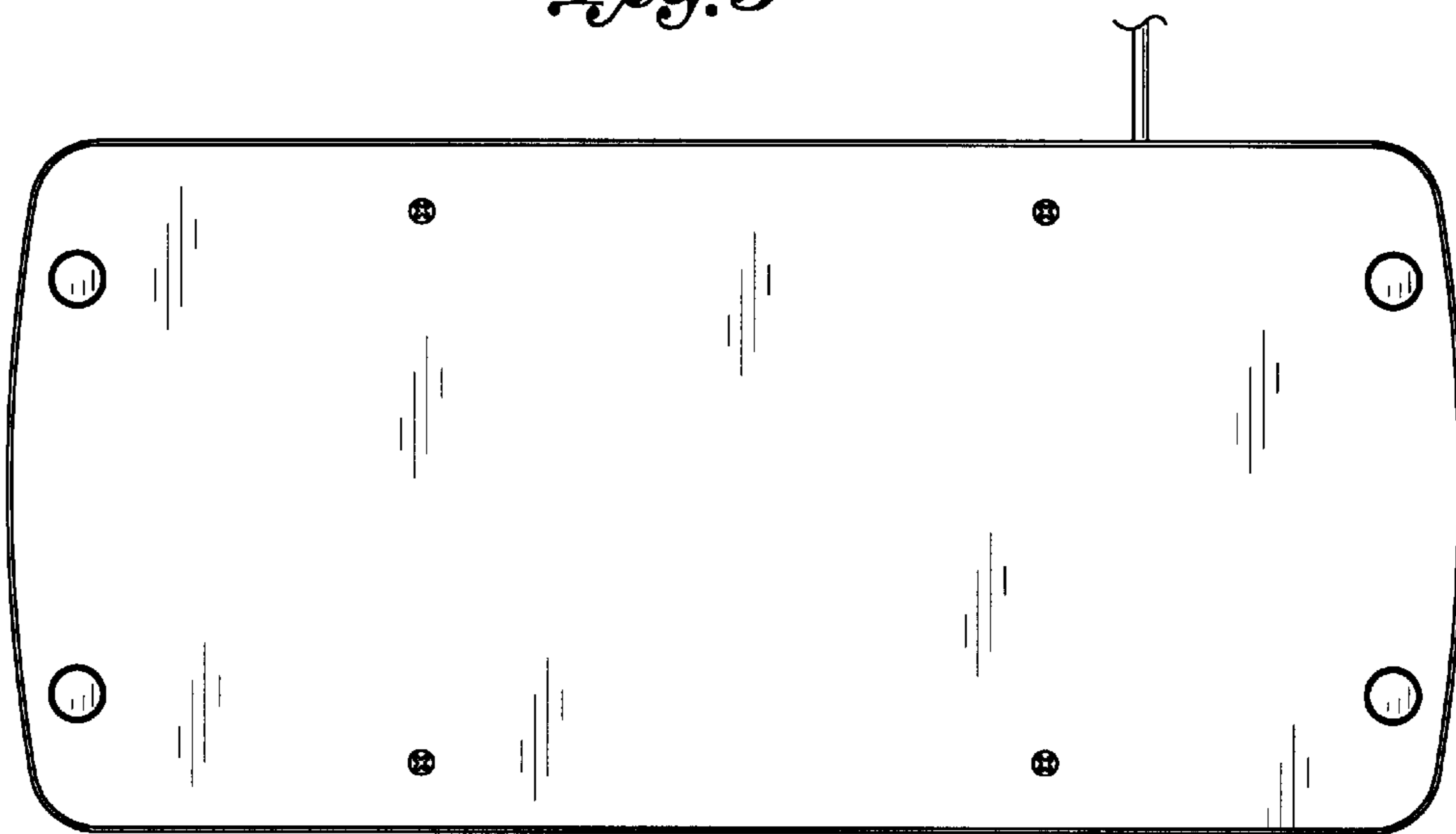
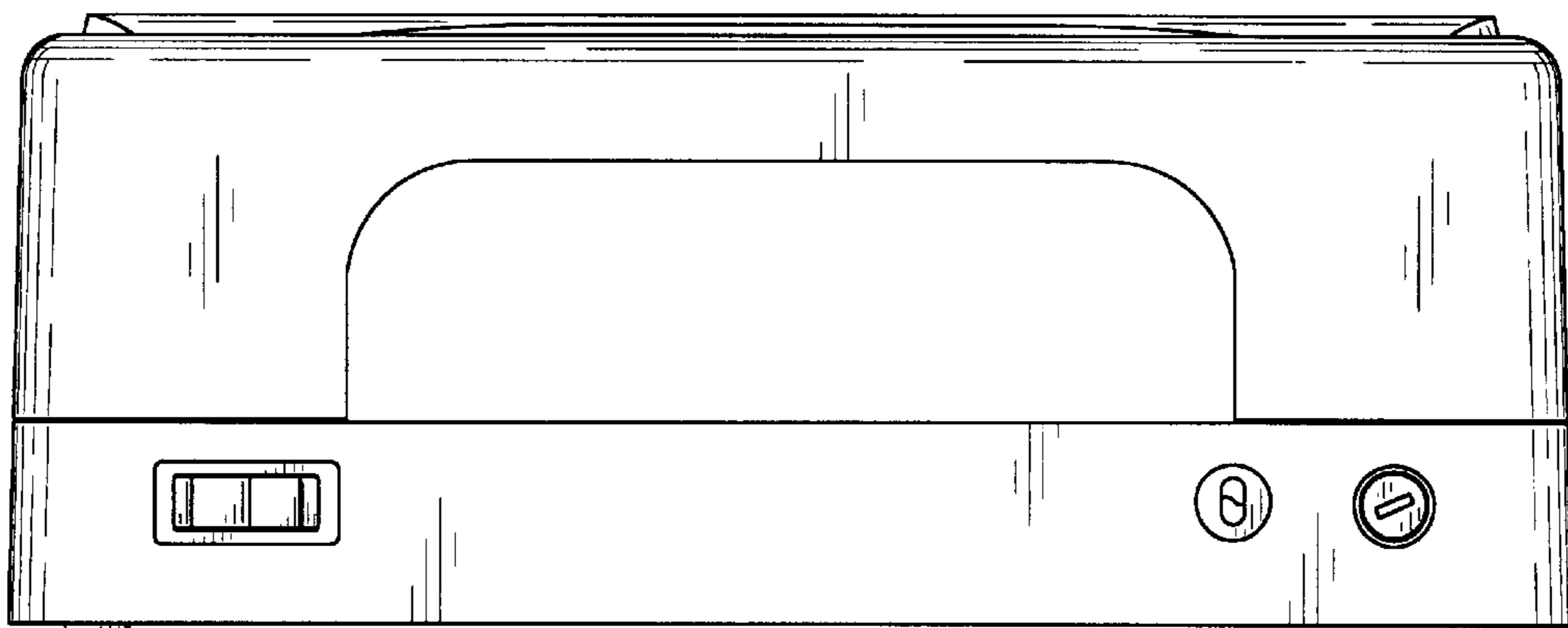
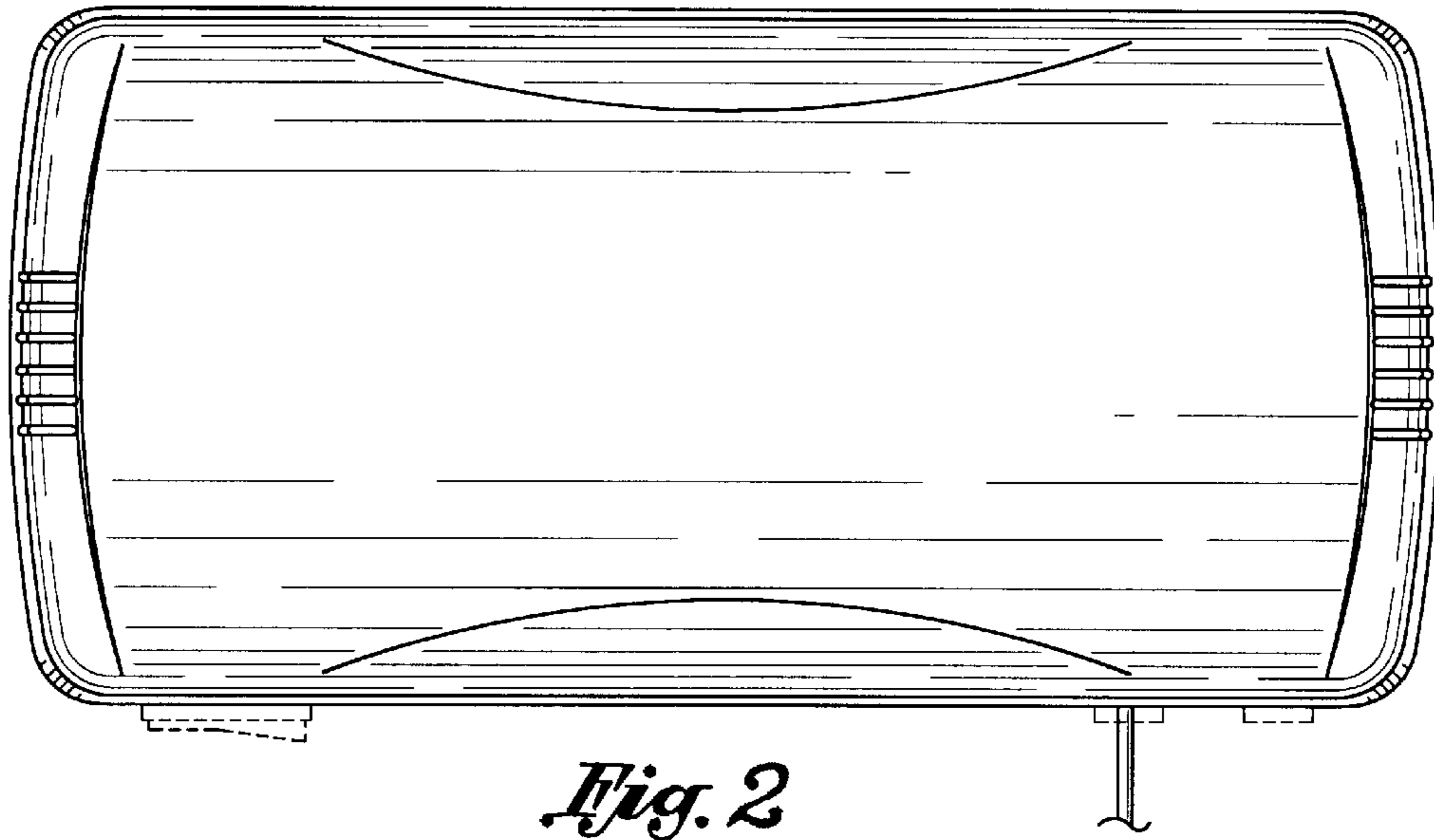


Fig. 1



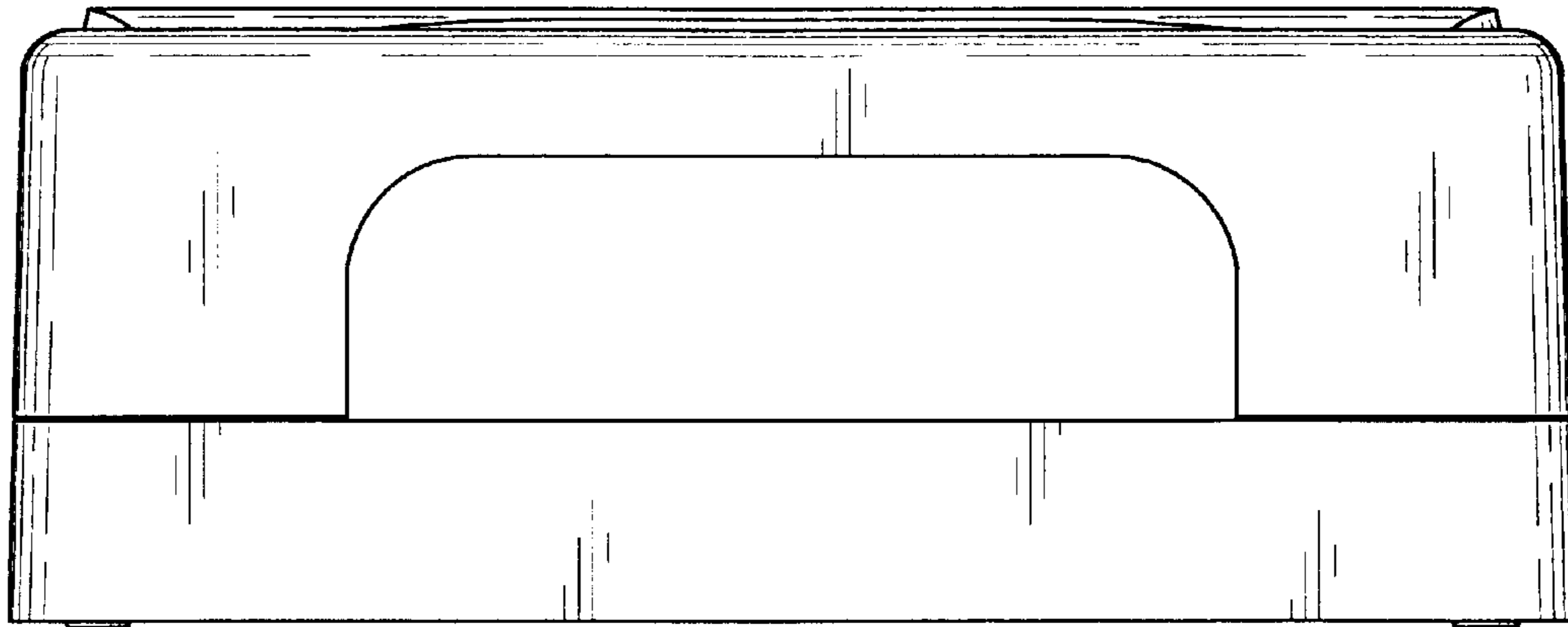


Fig. 5

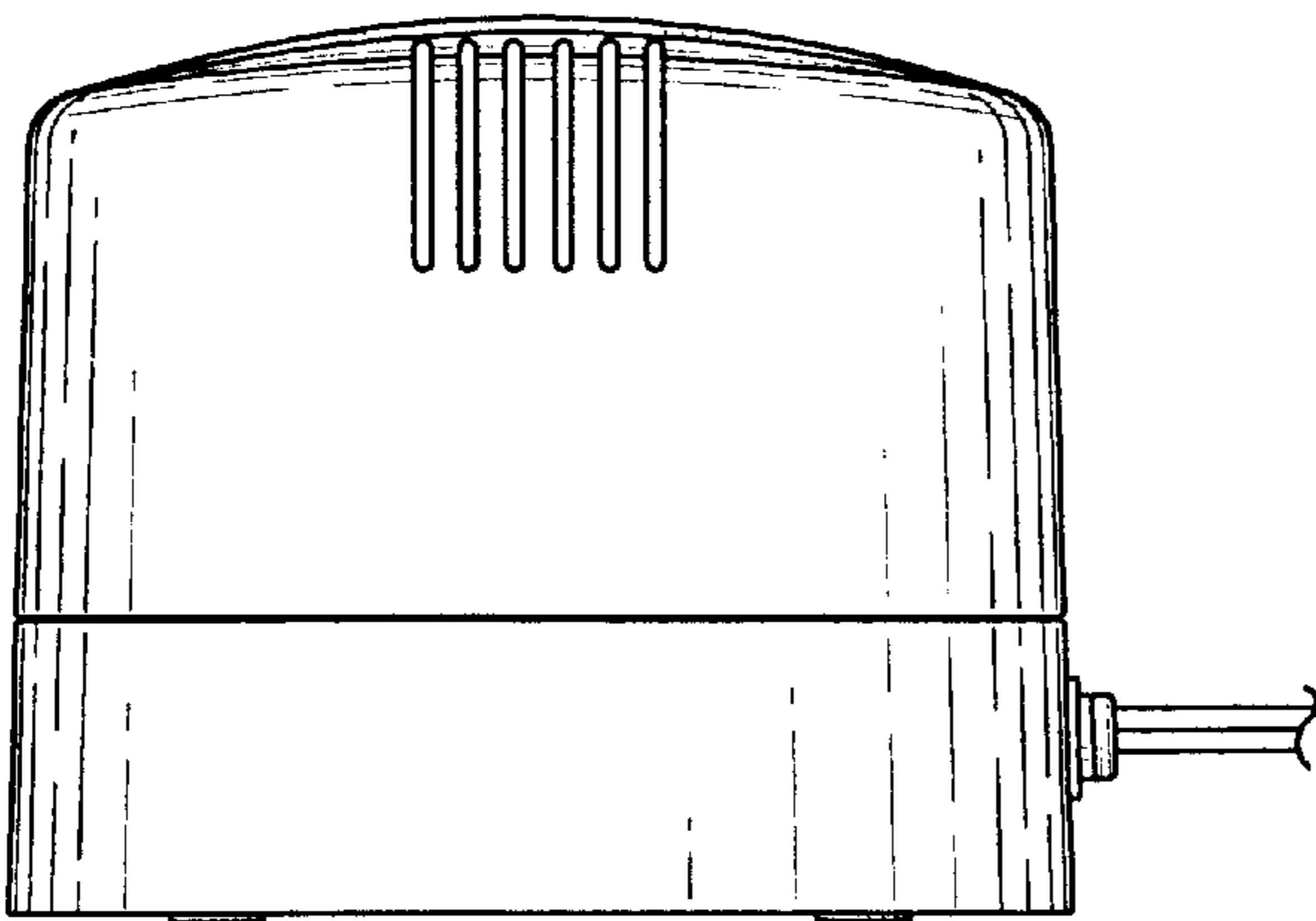


Fig. 6

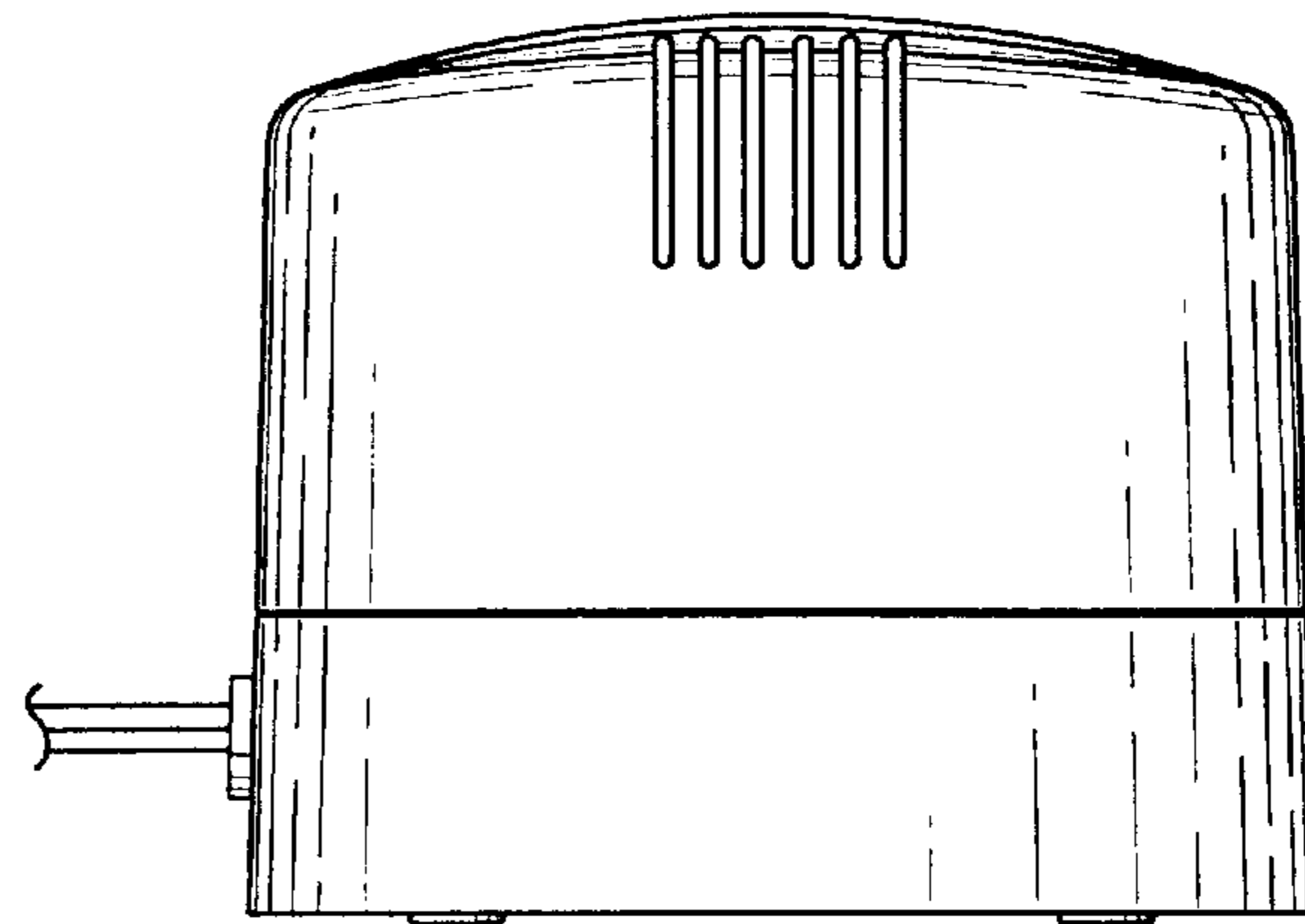


Fig. 7