



US00D532919S

(12) **United States Design Patent**
Handsaker et al.

(10) **Patent No.:** **US D532,919 S**

(45) **Date of Patent:** **** Nov. 28, 2006**

(54) **LIGHT FIXTURE**

(75) Inventors: **Jerrold Handsaker**, Roland, IA (US);
John Matthews, Roland, IA (US)

(73) Assignee: **Innovative Lighting, Inc.**, Roland, IA (US)

(**) Term: **14 Years**

(21) Appl. No.: **29/228,873**

(22) Filed: **Apr. 29, 2005**

(51) **LOC (8) Cl.** **26-03**

(52) **U.S. Cl.** **D26/80; D26/35**

(58) **Field of Classification Search** D26/24,

D26/72, 75-78, 80, 81, 85, 87, 35; 362/236,

362/237, 238, 240, 249, 250, 147, 432, 127,

362/125, 133, 800; D10/109, 111, 114

See application file for complete search history.

(56) **References Cited**

U.S. PATENT DOCUMENTS

D202,842 S * 11/1965 Kennelly D10/114

D312,978 S * 12/1990 Foster D10/114

D359,374 S * 6/1995 Weinstock D26/80

D374,737 S * 10/1996 Can D26/80

5,884,997 A * 3/1999 Stanuch et al. 362/493

D434,161 S * 11/2000 Fritzinger D26/35

D494,081 S * 8/2004 Boilen D10/114

D499,976 S * 12/2004 Neufeglise et al. D10/114

* cited by examiner

Primary Examiner—Clare E Heflin

(74) *Attorney, Agent, or Firm*—Daniel A. Rosenberg; Kent A. Herink; Emily E. Harris

(57) **CLAIM**

The ornamental design for a light fixture, as shown and described.

DESCRIPTION

FIG. 1 is a top perspective view of the light fixture.

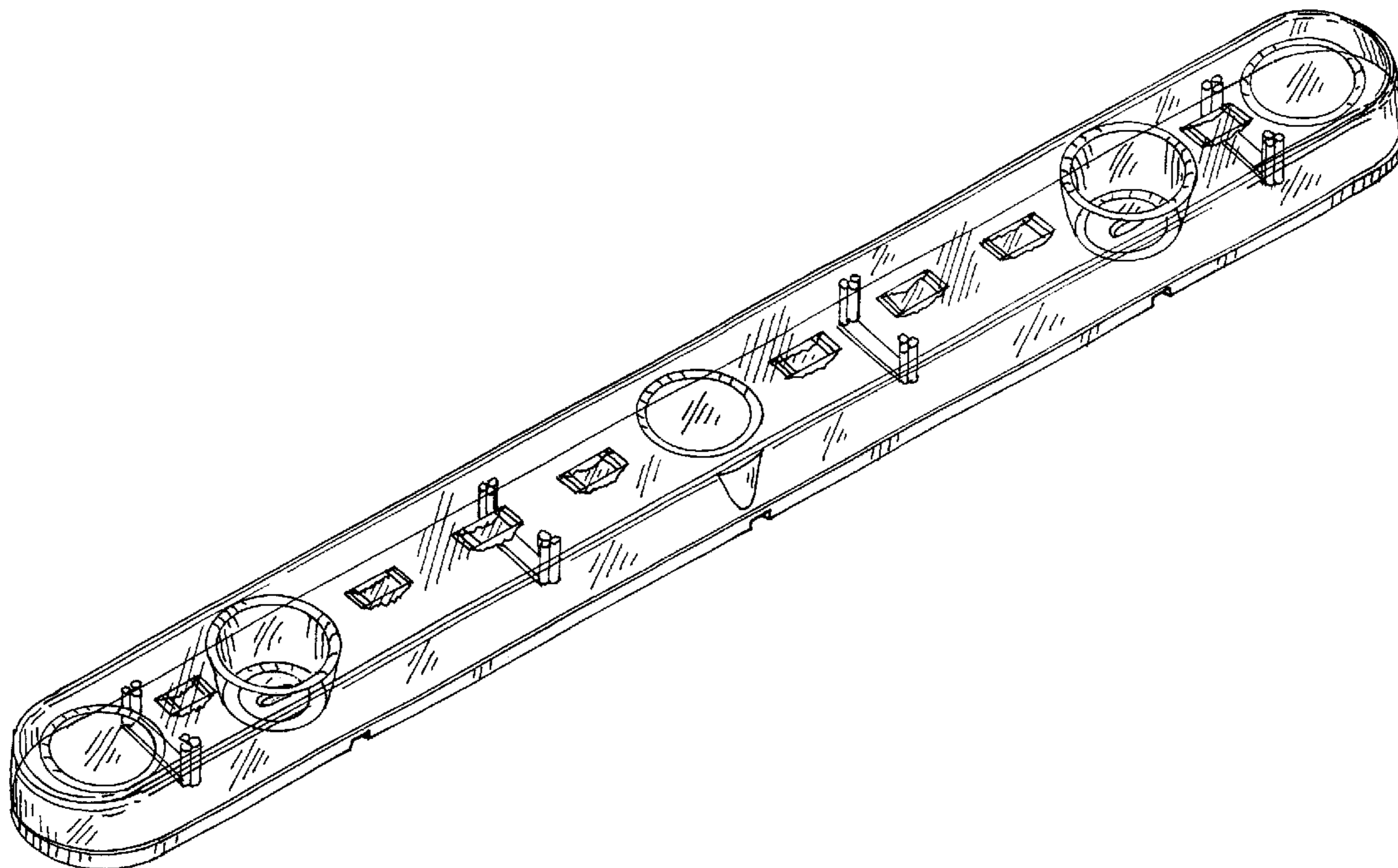
FIG. 2 is a top view of the light fixture.

FIG. 3 is a bottom view of the light fixture.

FIG. 4 is a side view of the light fixture, the opposite side identical thereto; and,

FIG. 5 is an end view of the light fixture, the opposite end identical thereto.

1 Claim, 2 Drawing Sheets



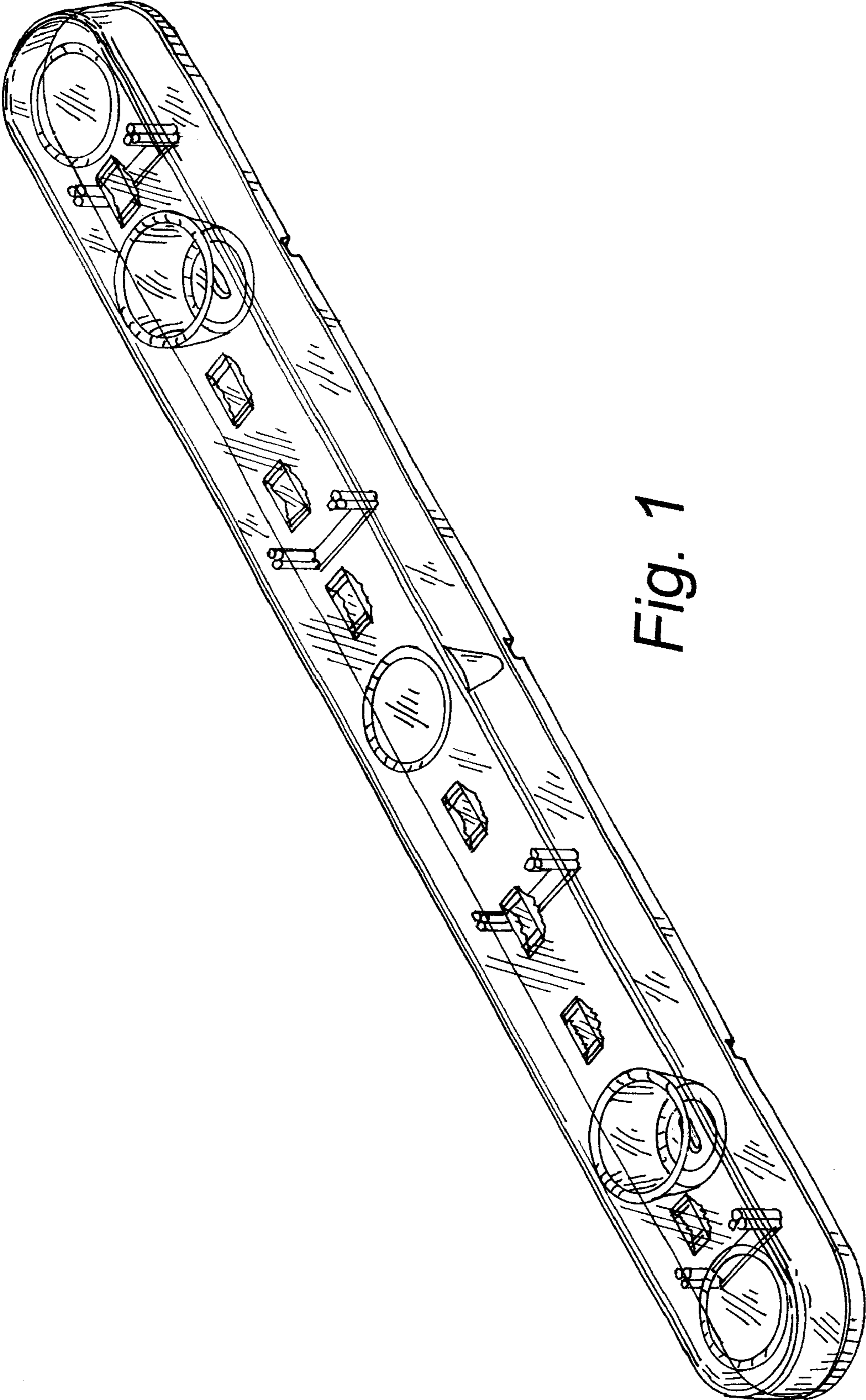


Fig. 1

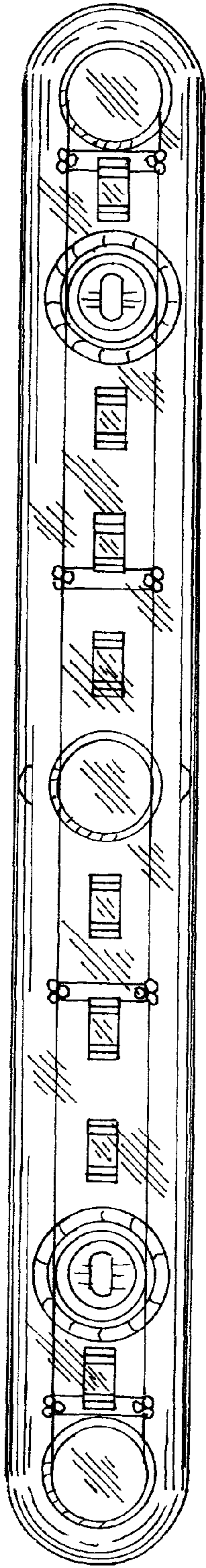


Fig. 2

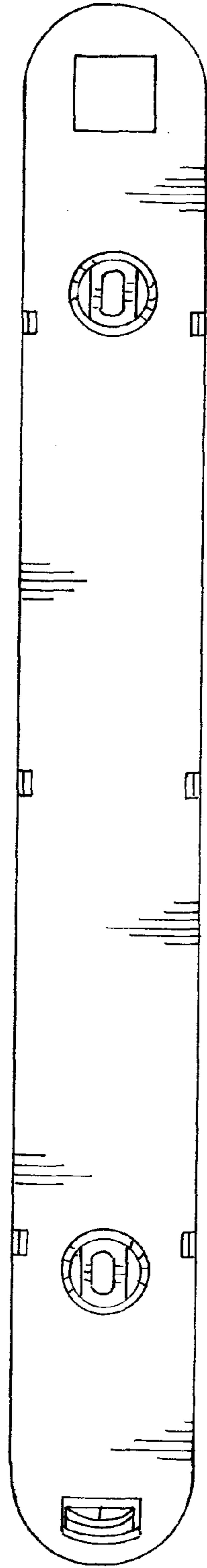


Fig. 3

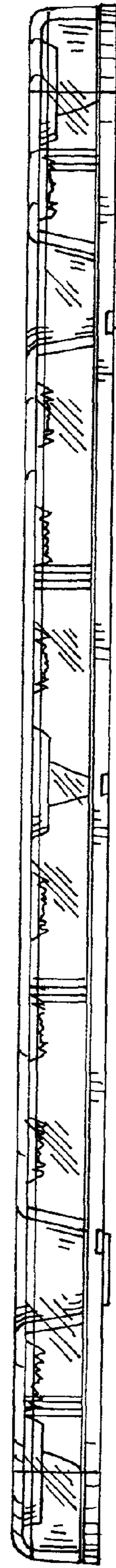


Fig. 4

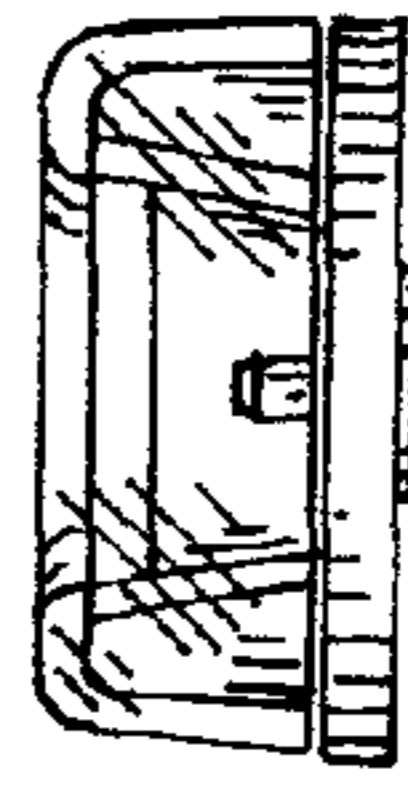


Fig. 5