



US00D532918S

(12) **United States Design Patent**
Lay et al.

(10) **Patent No.:** **US D532,918 S**

(45) **Date of Patent:** **** Nov. 28, 2006**

(54) **EMERGENCY LIGHTING HOUSING**

(75) Inventors: **James Michael Lay**, Cumming, GA (US); **Richard Marvin Born**, Grayson, GA (US)

(73) Assignee: **Acuity Brands, Inc.**, Atlanta, GA (US)

(**) Term: **14 Years**

(21) Appl. No.: **29/214,133**

(22) Filed: **Sep. 28, 2004**

(51) **LOC (8) Cl.** **26-03**

(52) **U.S. Cl.** **D26/80; D26/63**

(58) **Field of Classification Search** D26/28-36, D26/63, 72, 80-92; D10/106, 111, 114; 362/20, 362/250, 147, 157, 184, 187, 192, 235, 238, 362/240, 362, 372

See application file for complete search history.

(56) **References Cited**

U.S. PATENT DOCUMENTS

D264,253 S	*	5/1982	Goldschmidt et al.	D26/63
D293,940 S	*	1/1988	Lasker	D26/65
D315,421 S	*	3/1991	Goldschmidt	D26/85
D320,863 S	*	10/1991	Macaluso	D26/29
D322,140 S	*	12/1991	Dacanay et al.	D26/85
D400,995 S	*	11/1998	LaRosa et al.	D26/63
D410,863 S	*	6/1999	Hasegawa et al.	D10/114
D473,672 S	*	4/2003	Lay et al.	D26/80
D483,511 S	*	12/2003	Lay et al.	D26/80
D484,272 S	*	12/2003	Lay et al.	D26/113

* cited by examiner

Primary Examiner—Clare E Heflin

(74) *Attorney, Agent, or Firm*—Kilpatrick Stockton LLP

(57) **CLAIM**

The ornamental design for an emergency lighting housing, as shown and described.

DESCRIPTION

FIG. 1 shows a perspective view of an emergency lighting housing according to a first embodiment of the present invention.

FIG. 2 shows a front view of the emergency lighting housing of FIG. 1.

FIG. 3 shows a right side view of the emergency lighting housing of FIG. 1, the left side view being a mirror image of the right side view.

FIG. 4 shows a rear view of the emergency lighting housing of FIG. 1.

FIG. 5 shows a top view of the emergency lighting housing of FIG. 1.

FIG. 6 shows a bottom view of the emergency lighting housing of FIG. 1.

FIG. 7 shows a perspective view of an emergency lighting housing according to another embodiment of the present invention.

FIG. 8 shows a front view of the emergency lighting housing of FIG. 7.

FIG. 9 shows a right side view of the emergency lighting housing of FIG. 7, the left side view being a mirror image of the right side view.

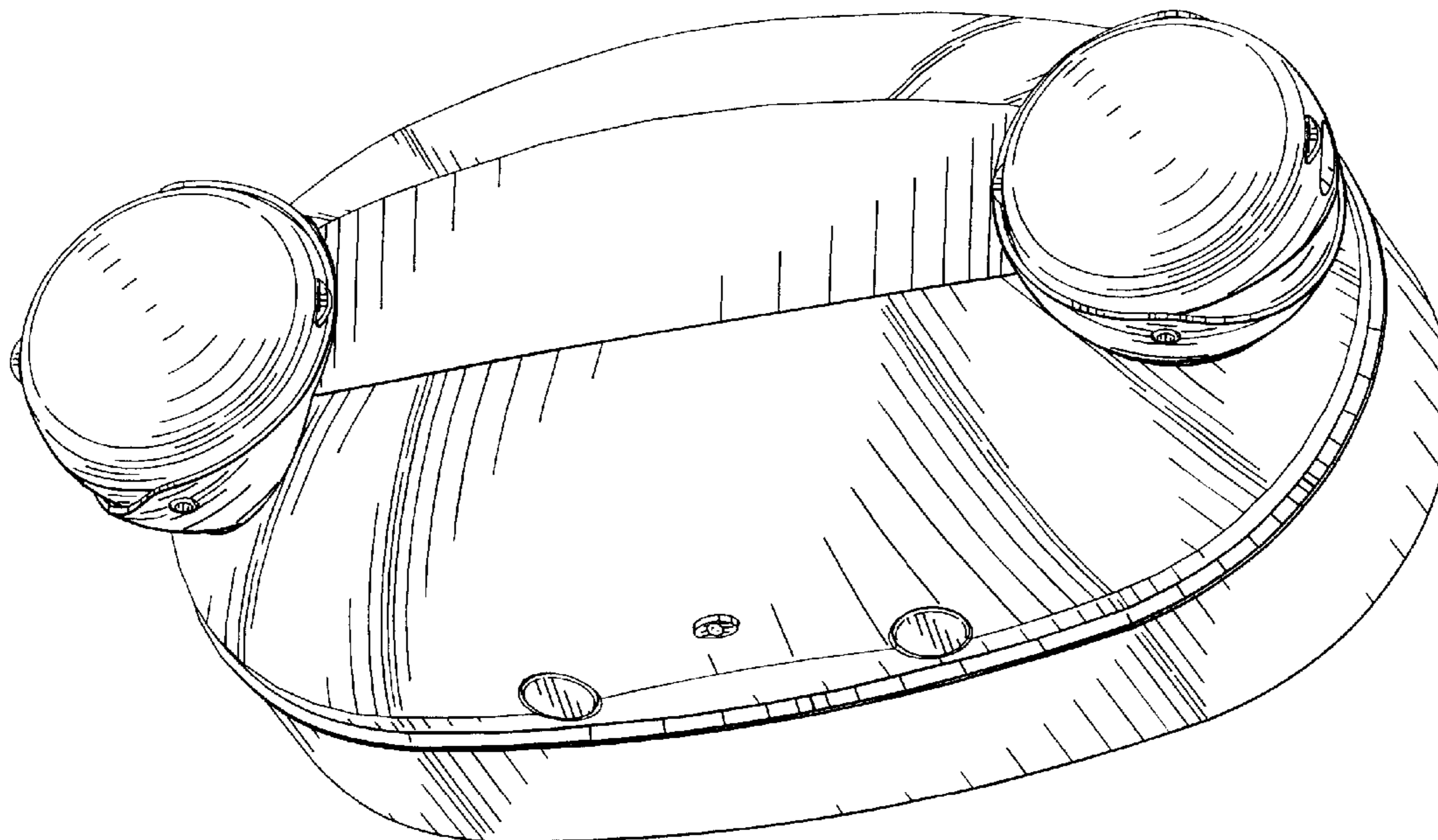
FIG. 10 shows a rear view of the emergency lighting housing of FIG. 7.

FIG. 11 shows a top view of the emergency lighting housing of FIG. 7; and,

FIG. 12 shows a bottom view of the emergency lighting housing of FIG. 7.

The broken lines are for illustrative purposes only, and form no part of the claimed design.

1 Claim, 6 Drawing Sheets



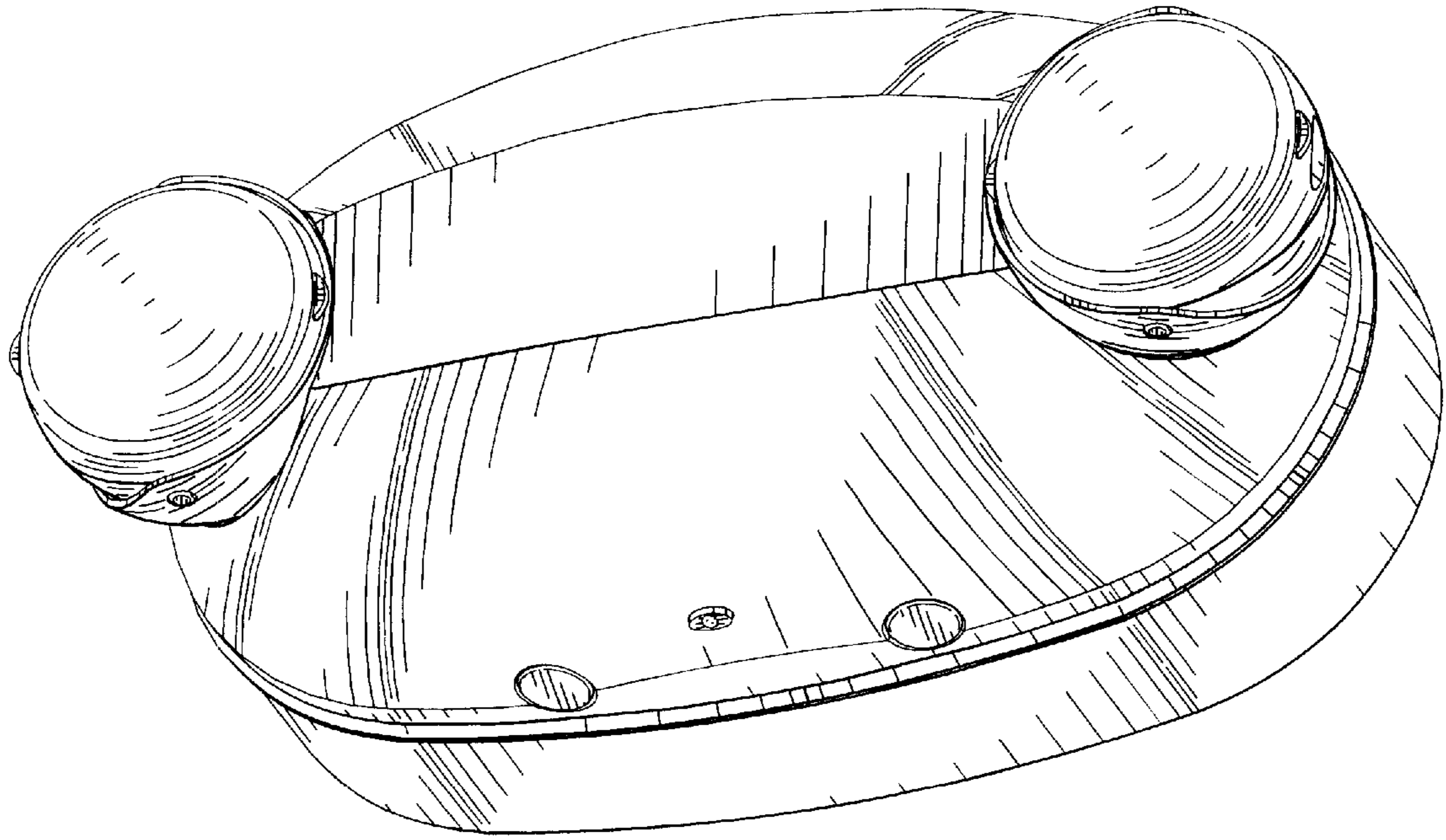


FIG. 1

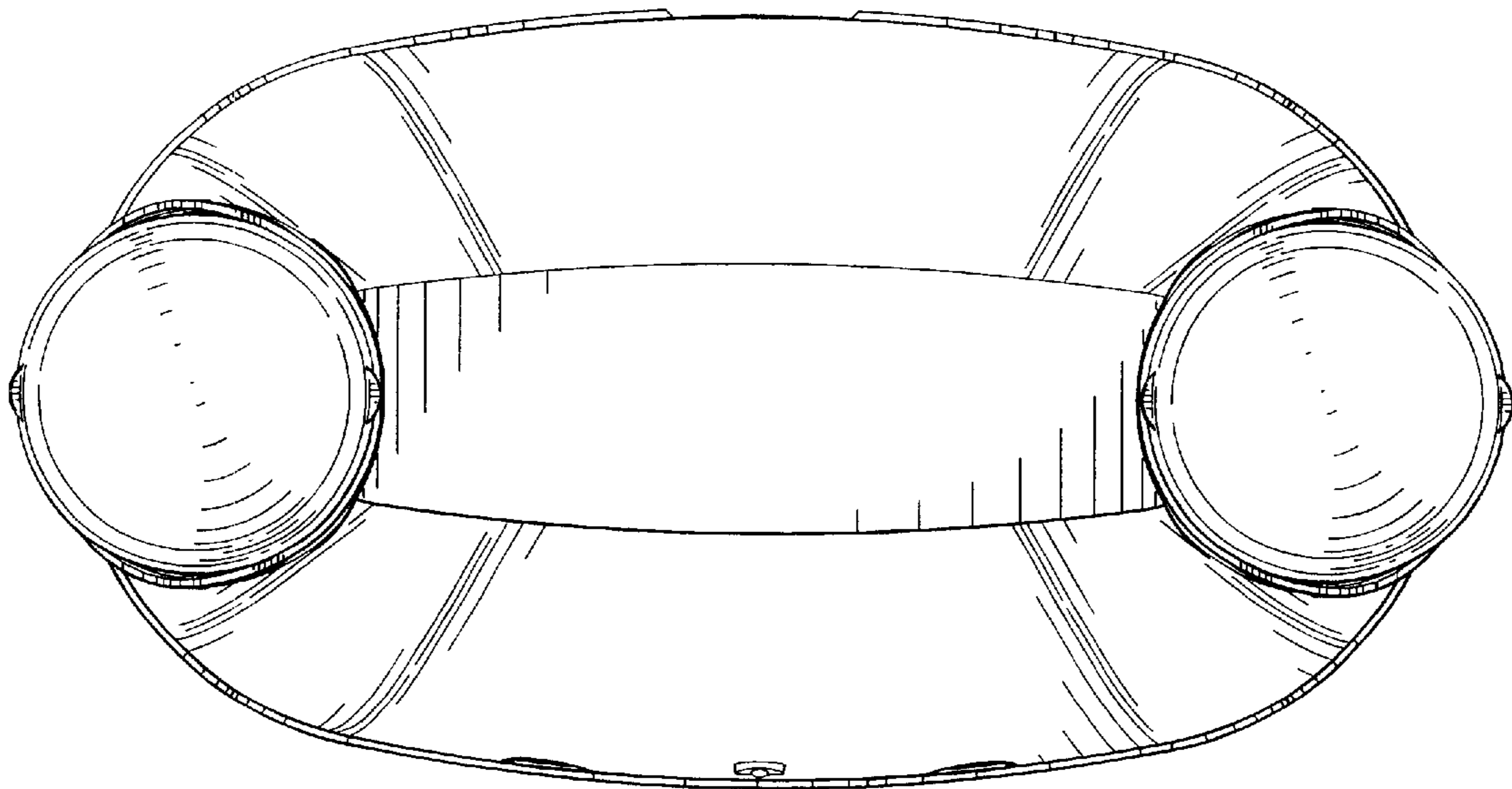


FIG. 2

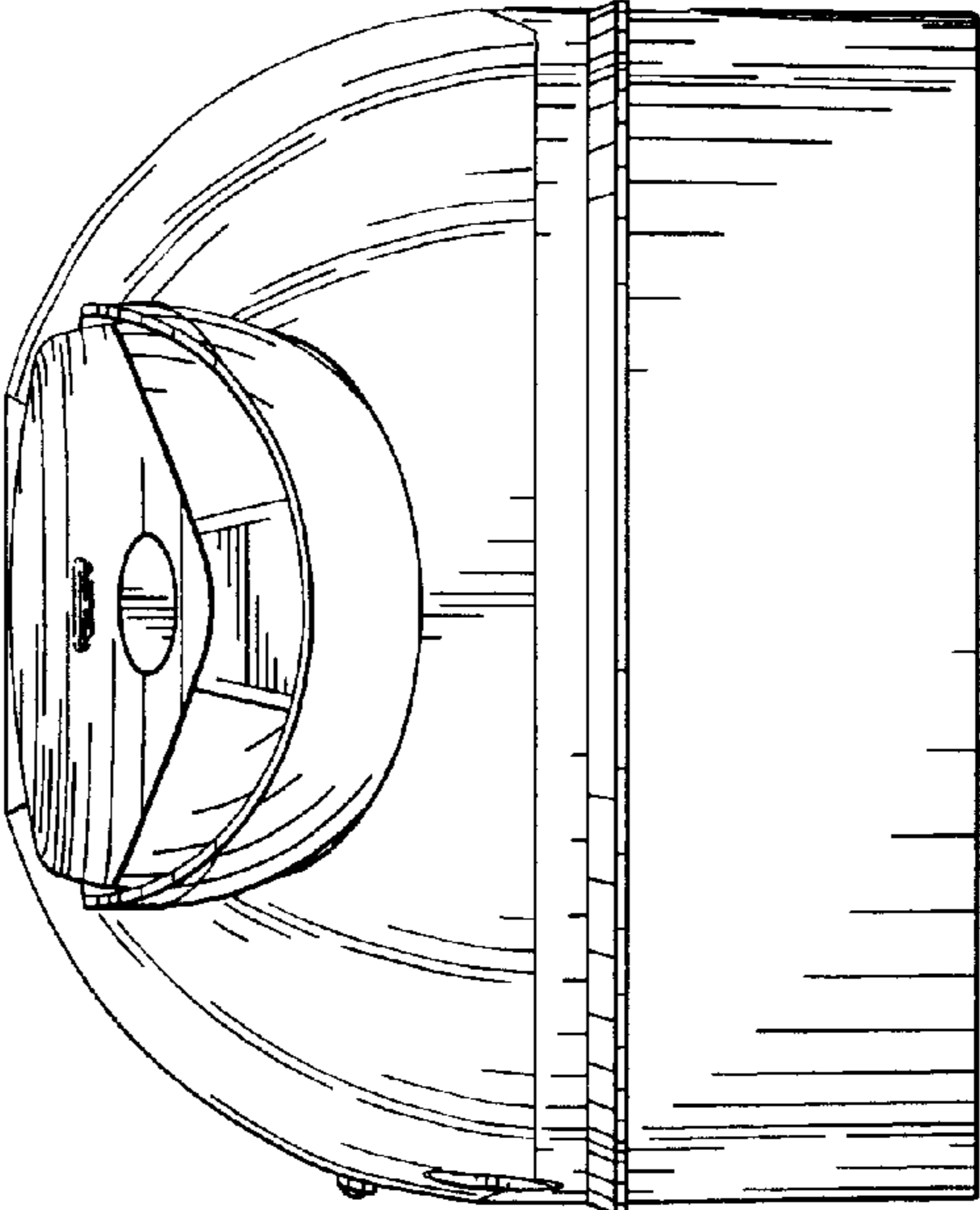


FIG. 3

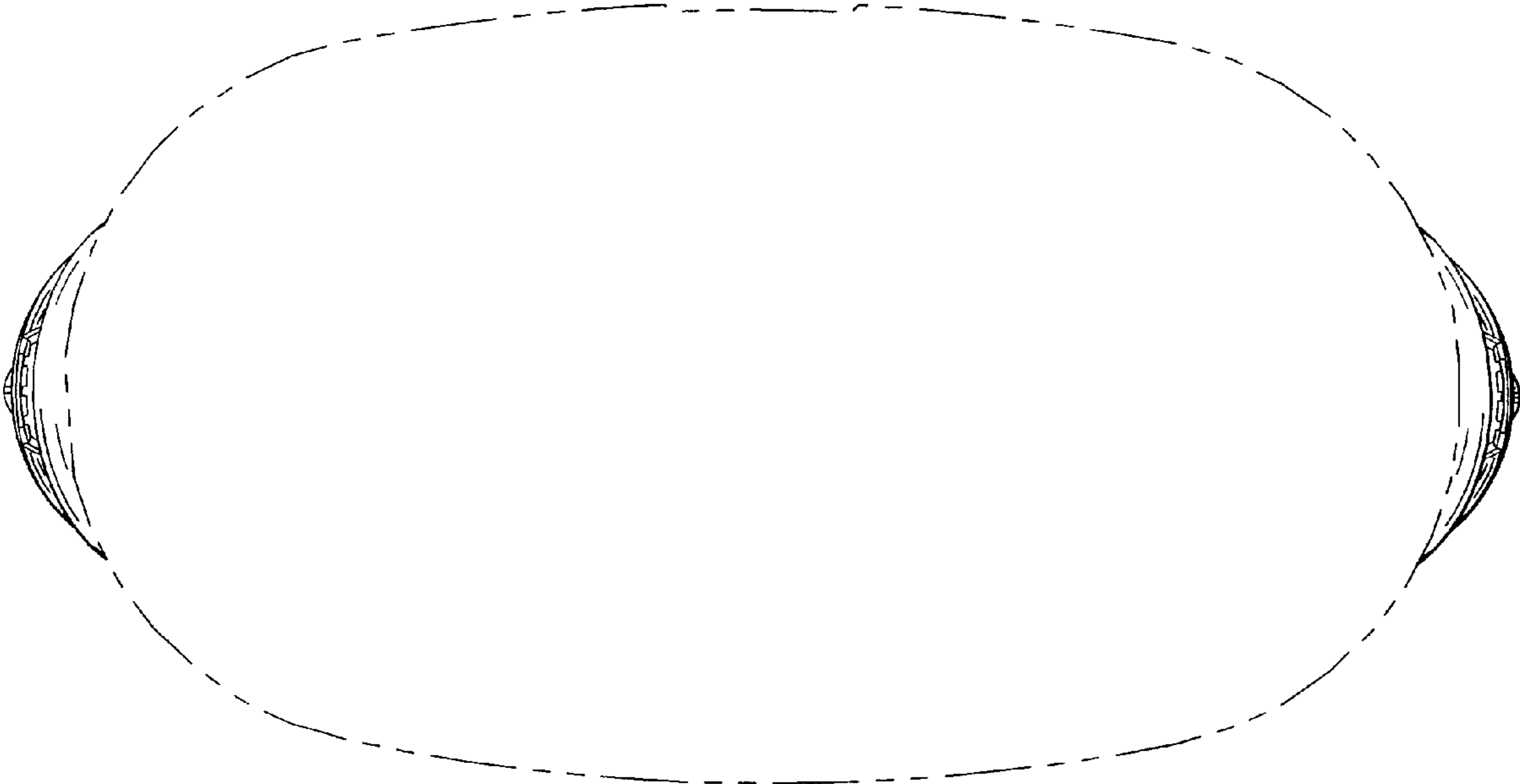


FIG. 4

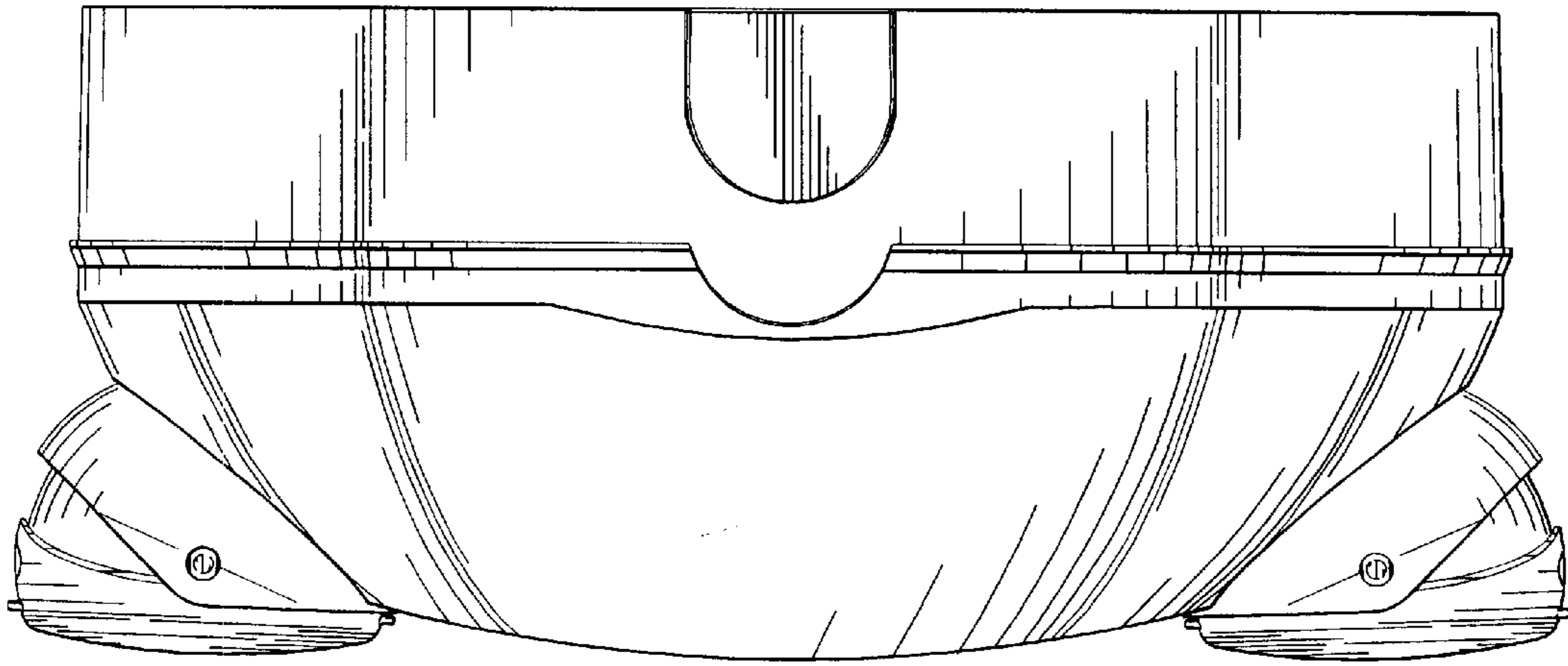


FIG. 5

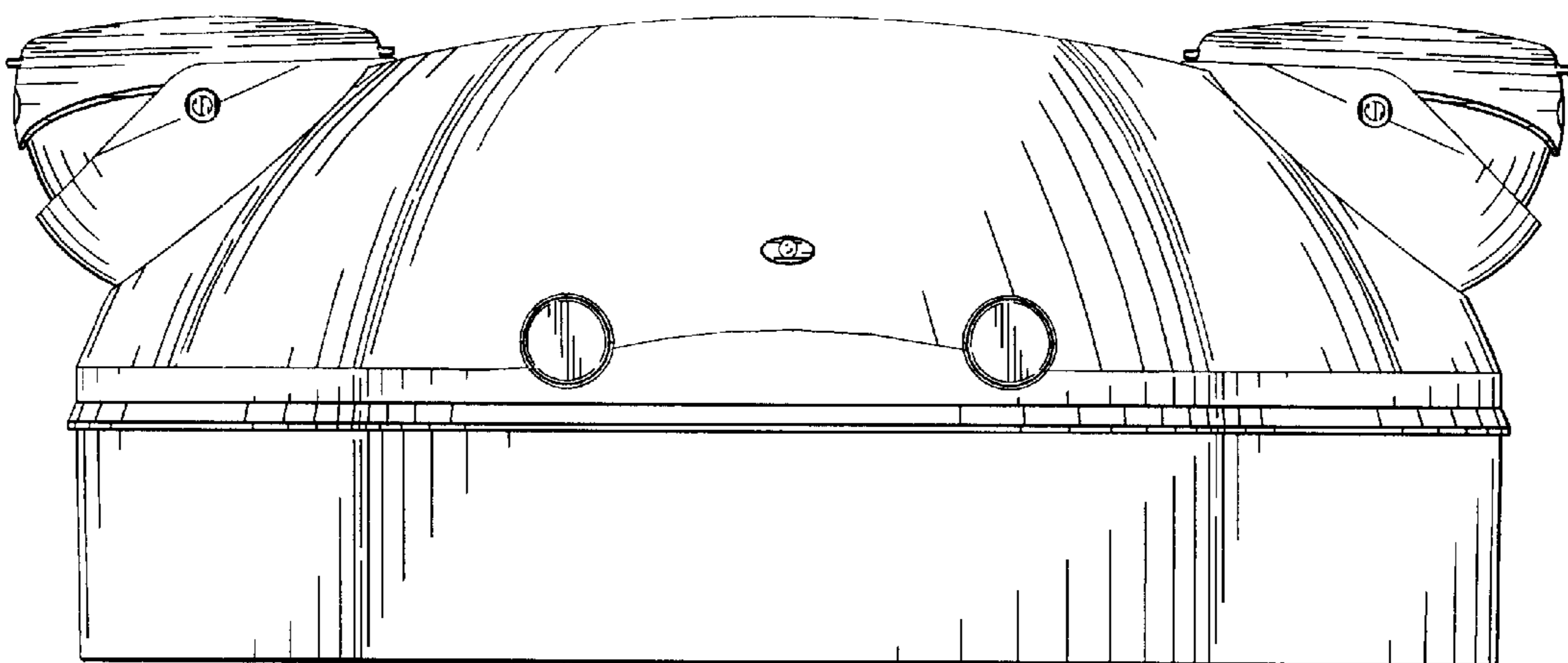


FIG. 6

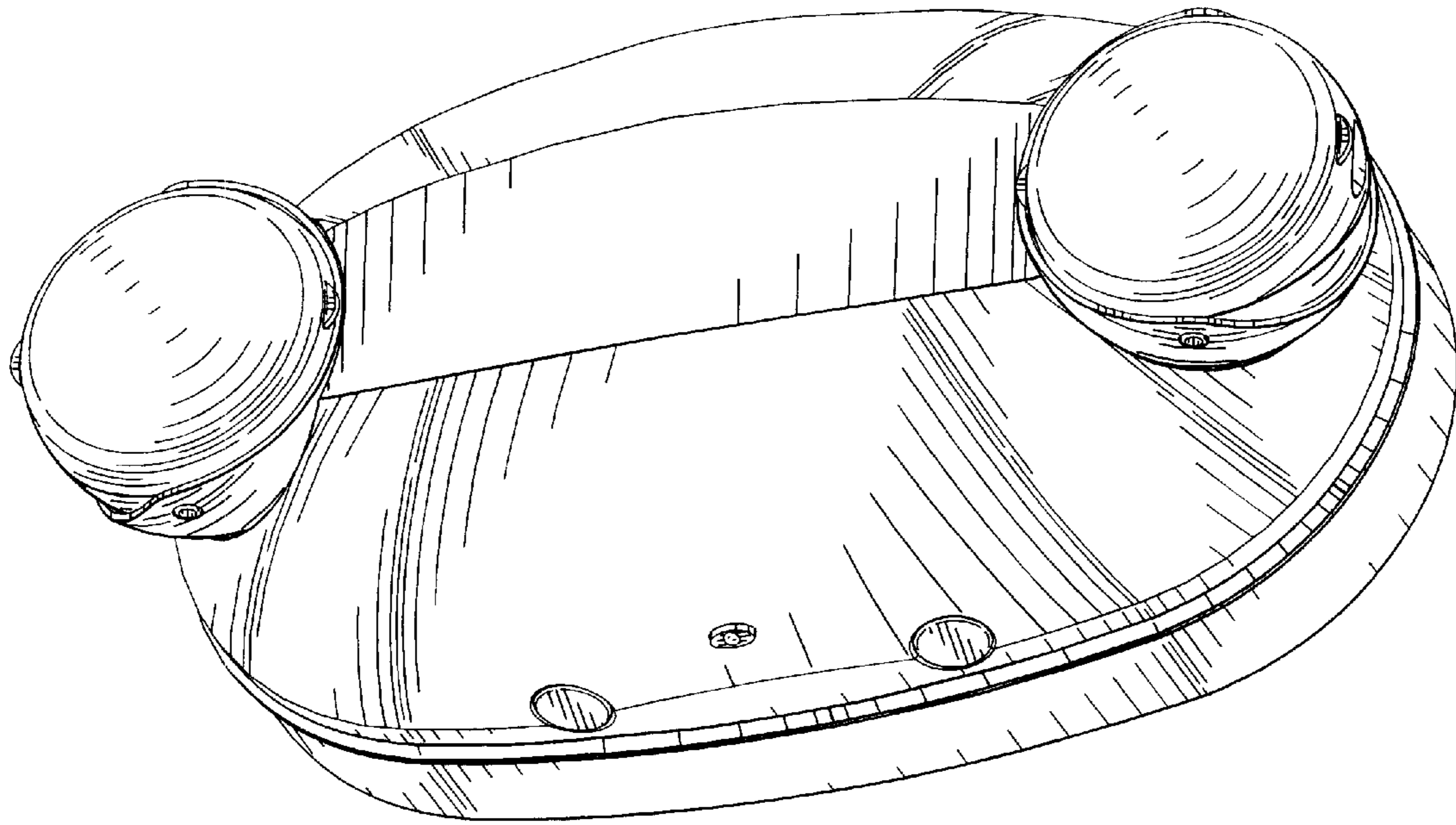


FIG. 7

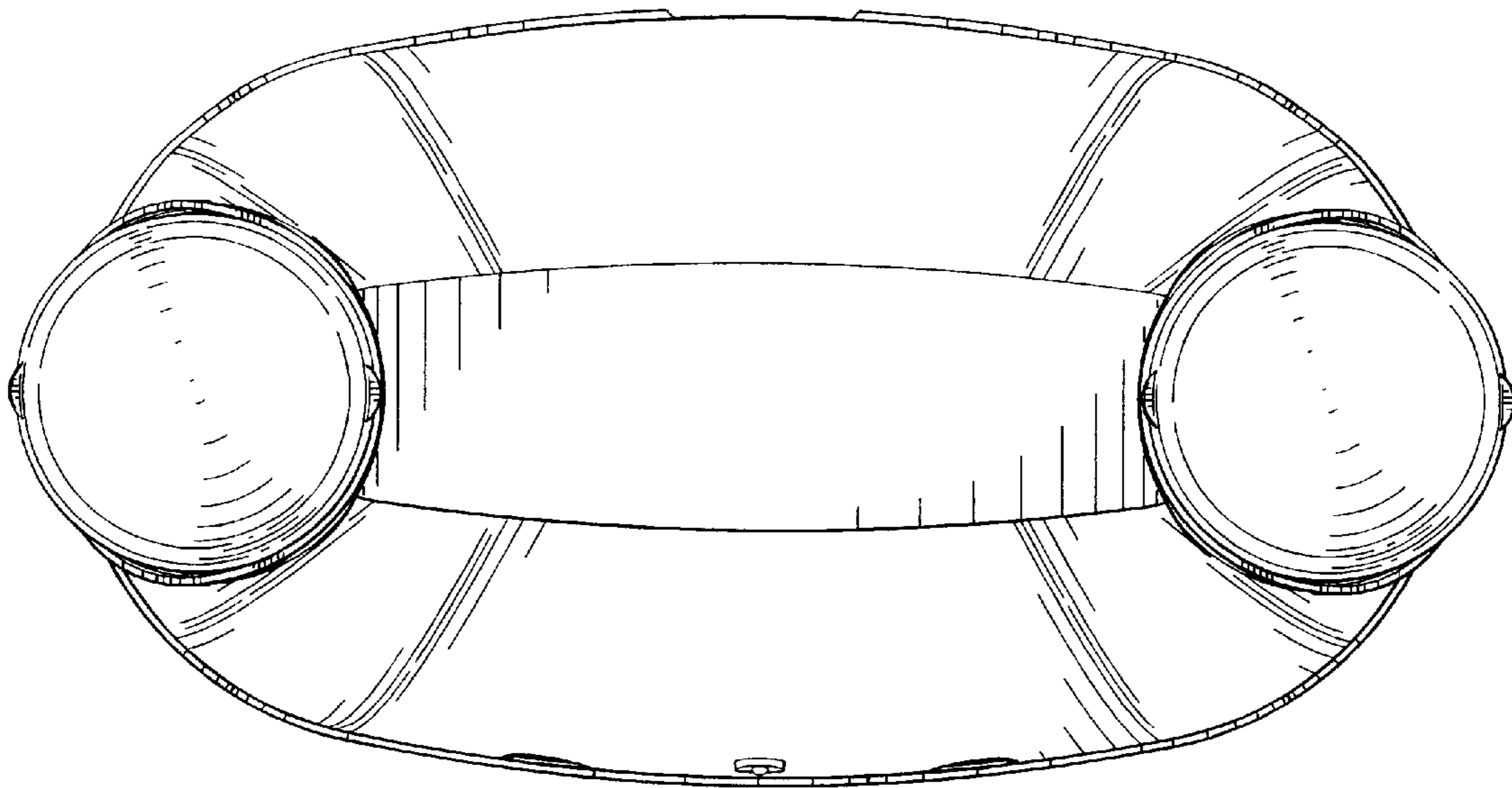


FIG. 8

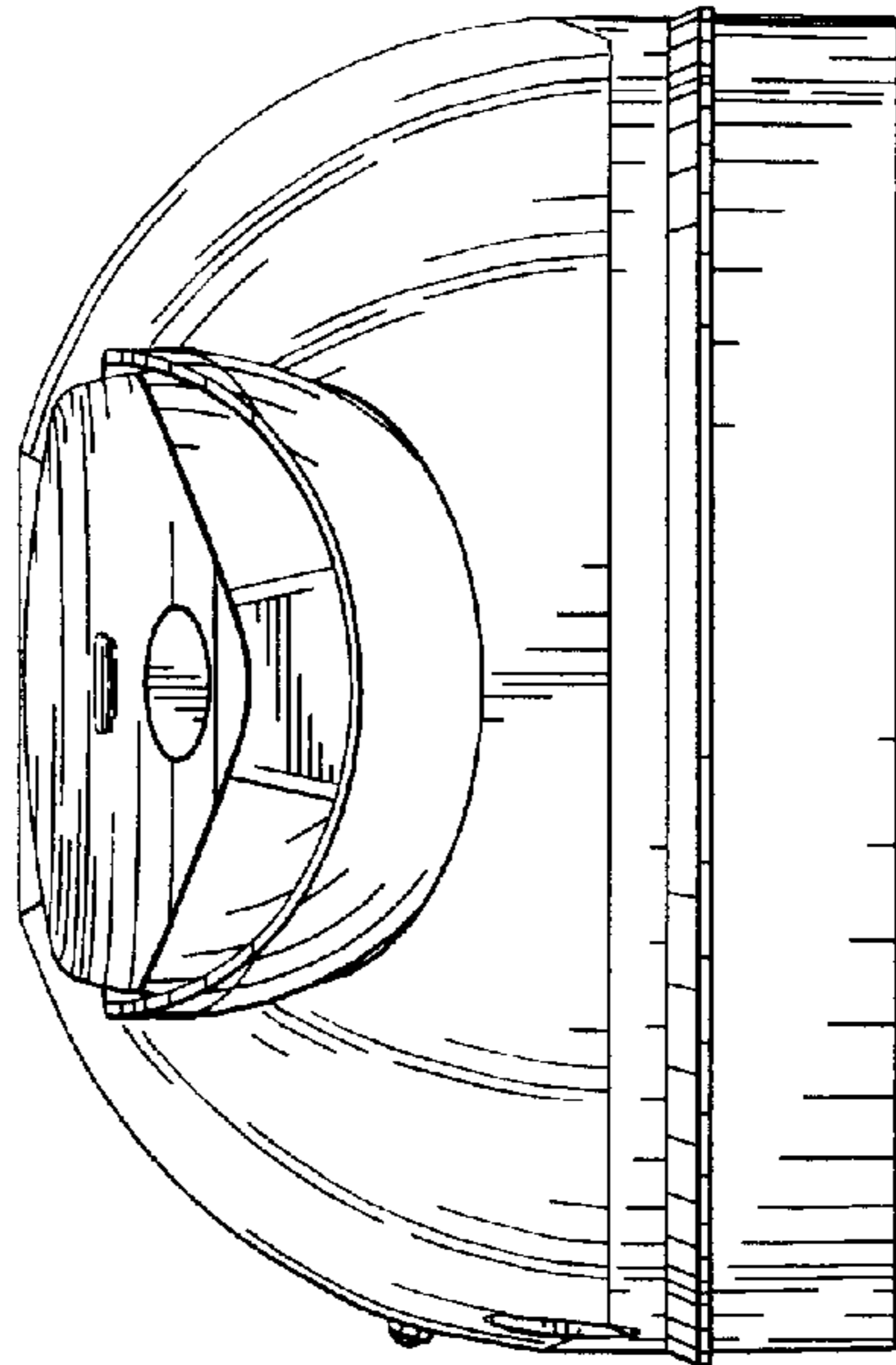


FIG. 9

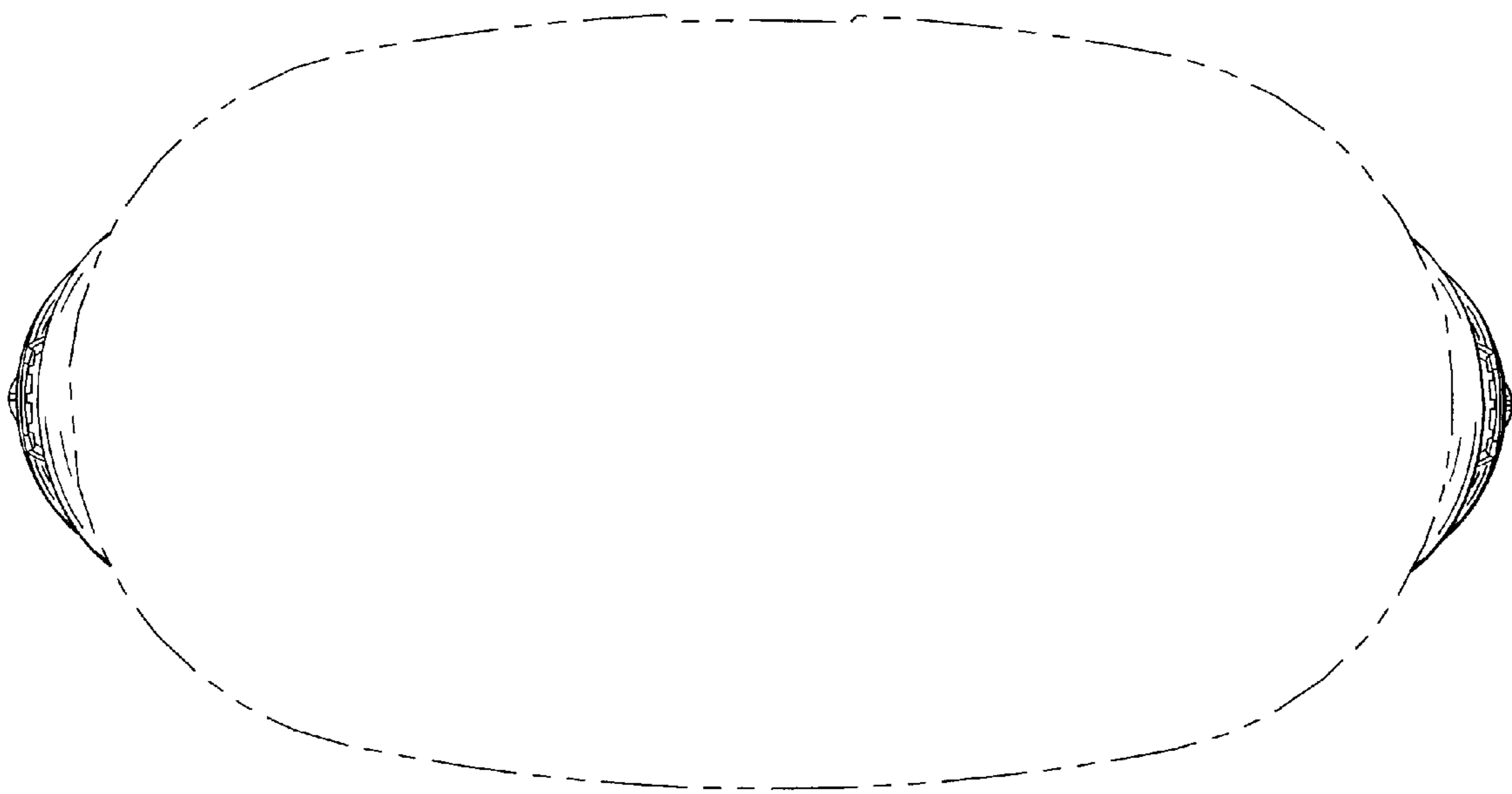


FIG. 10

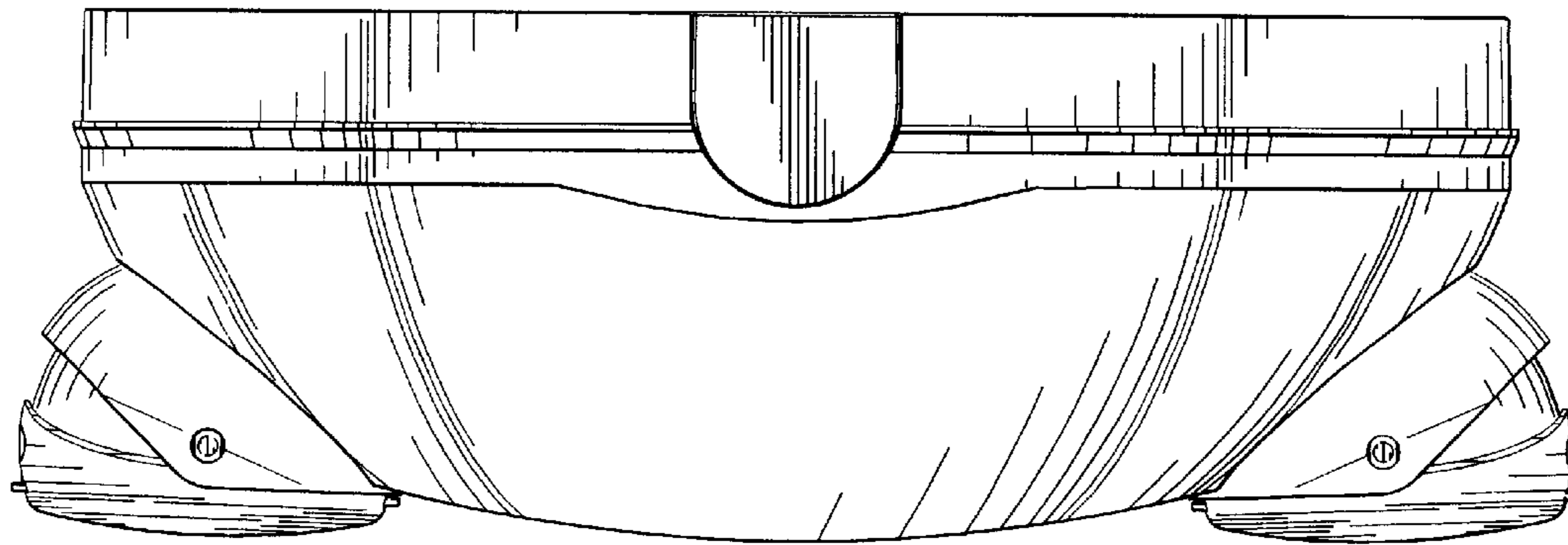


FIG. 11

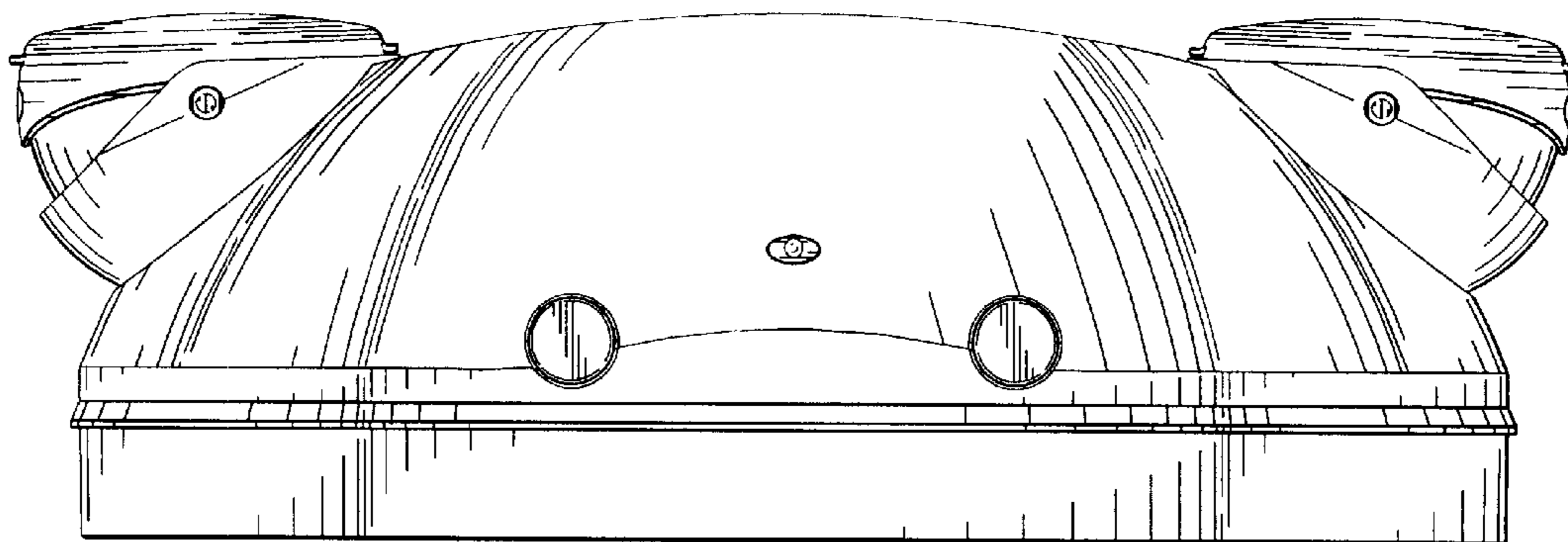


FIG. 12