



US00D532916S

(12) **United States Design Patent**
Yuen

(10) **Patent No.:** **US D532,916 S**

(45) **Date of Patent:** **** Nov. 28, 2006**

(54) **RECHARGEABLE HALOGEN
SEARCHLIGHT WITH EMERGENCY
BLINKING LIGHT**

D430,323 S * 8/2000 Yuen D26/46
D518,908 S * 4/2006 Yuen D26/46

* cited by examiner

(76) Inventor: **Se Kit Yuen**, 6/F., Yau Lee Centre, 45
Hoi Yuen Road, Kwun Tong, Kowloon
(HK)

Primary Examiner—Marcus A. Jackson

(74) *Attorney, Agent, or Firm*—Akerman Senterfitt

(**) Term: **14 Years**

(57) **CLAIM**

The ornamental design of a rechargeable halogen searchlight with emergency blinking light, as shown and described.

(21) Appl. No.: **29/242,991**

(22) Filed: **Nov. 17, 2005**

DESCRIPTION

(51) **LOC (8) Cl.** **26-02**

(52) **U.S. Cl.** **D26/46**

(58) **Field of Classification Search** D26/37-50;
362/157, 158, 171-174, 183-208
See application file for complete search history.

FIG. 1 is a front view of the rechargeable halogen searchlight with emergency blinking light;

FIG. 2 is a rear view thereof;

FIG. 3 is a left side view thereof;

FIG. 4 is right side view thereof

FIG. 5 is a top view thereof; and,

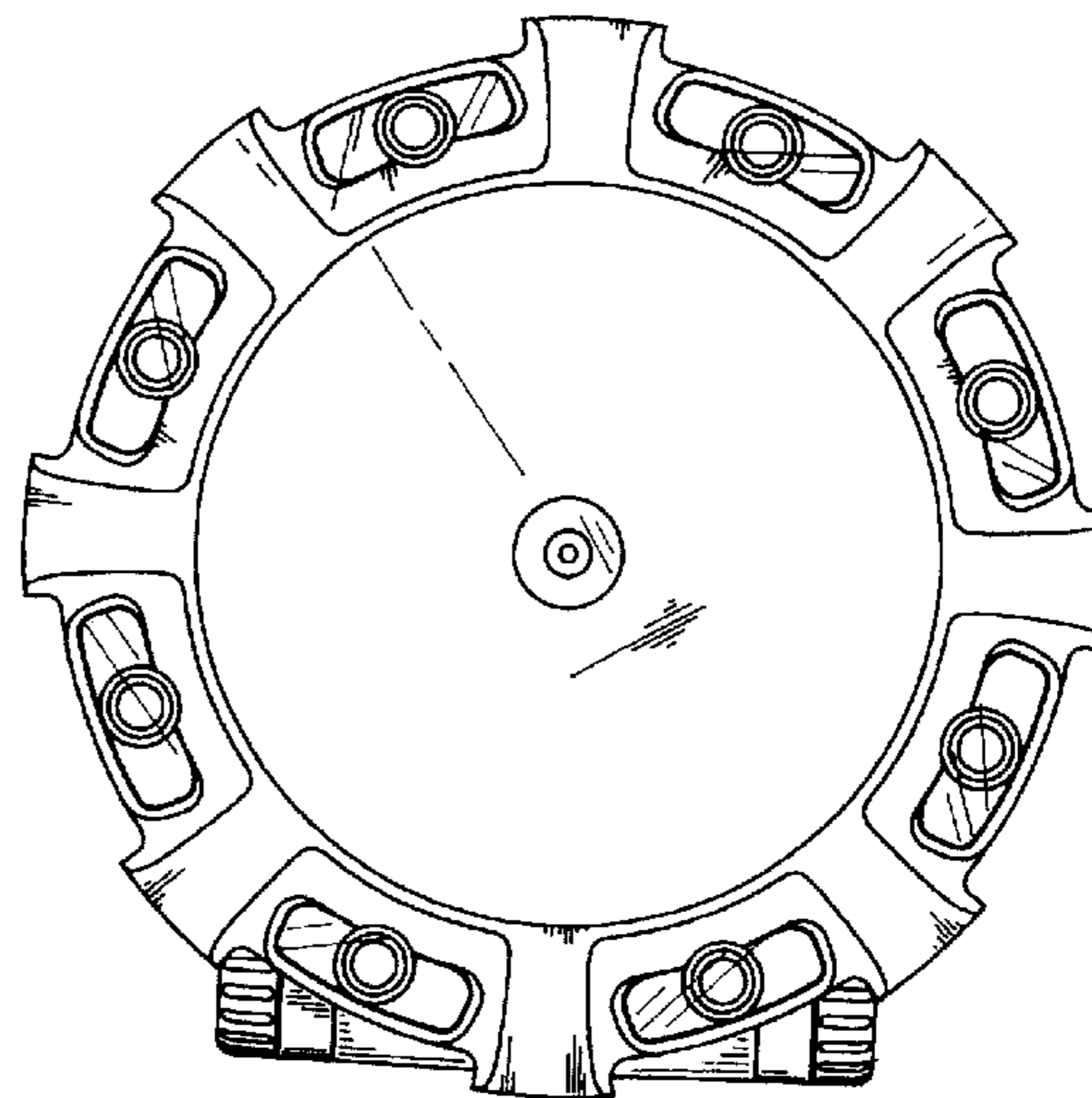
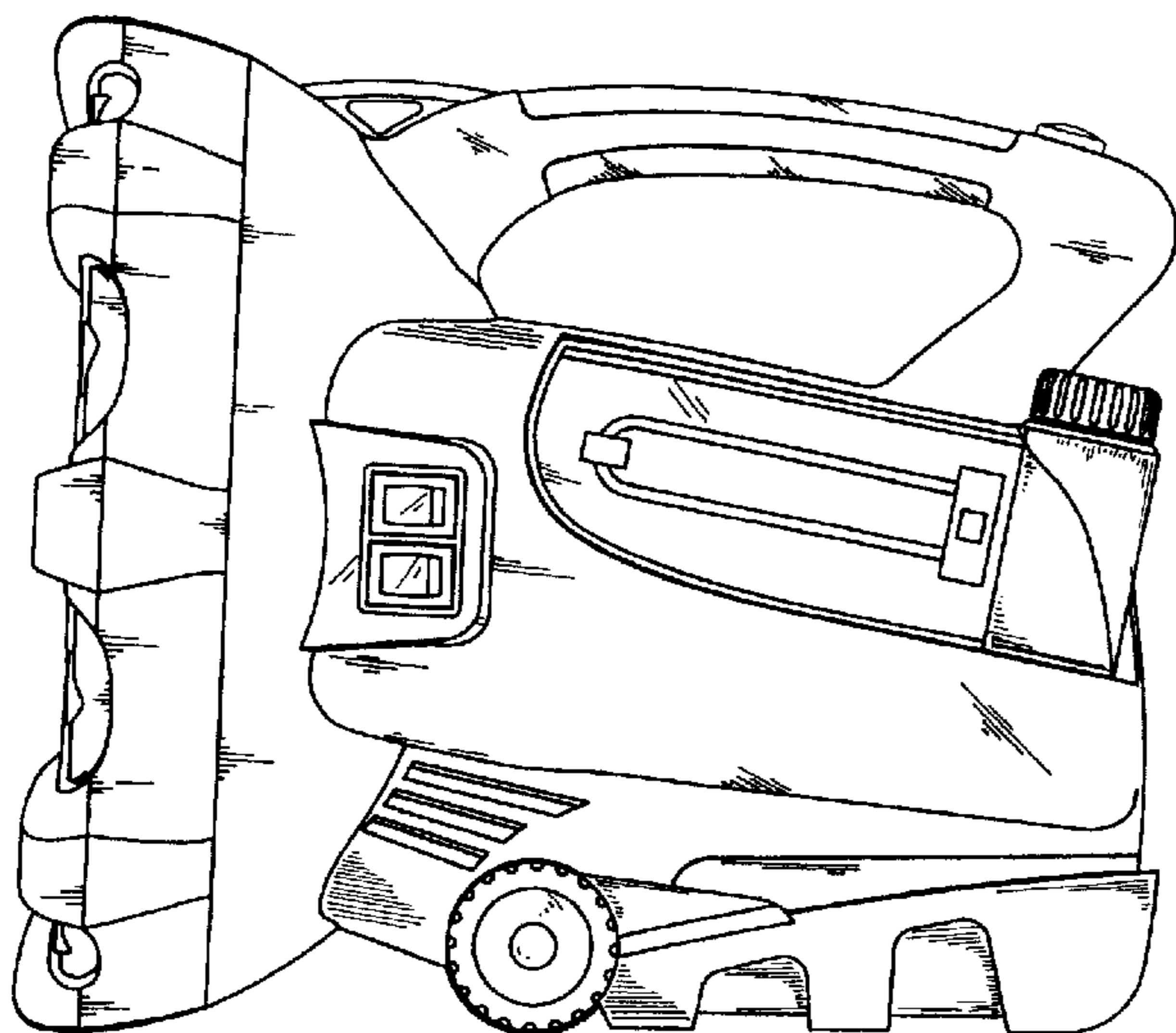
FIG. 6 is a bottom view thereof.

(56) **References Cited**

U.S. PATENT DOCUMENTS

D425,229 S * 5/2000 Poon D26/46

1 Claim, 3 Drawing Sheets



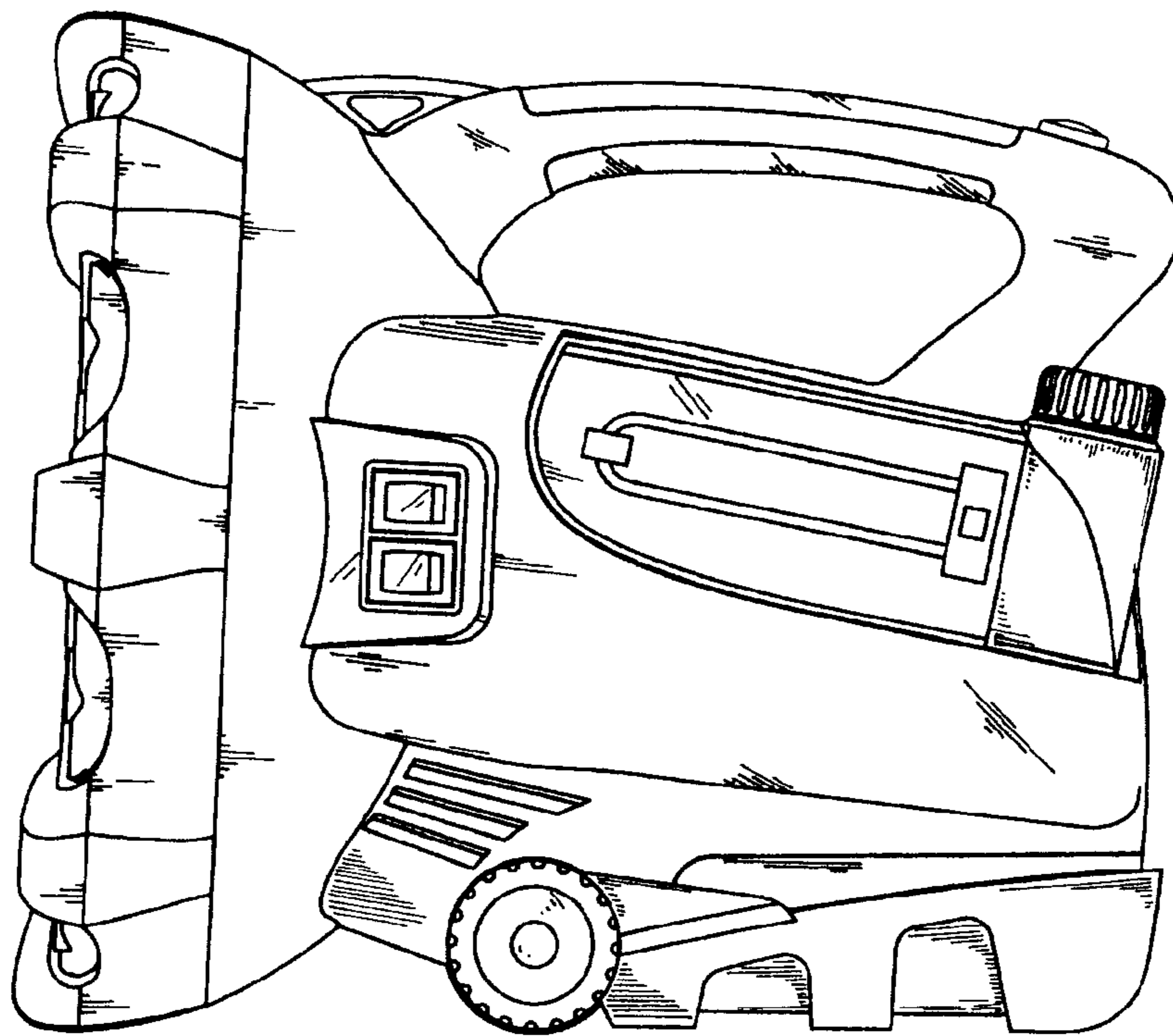


FIG. 1

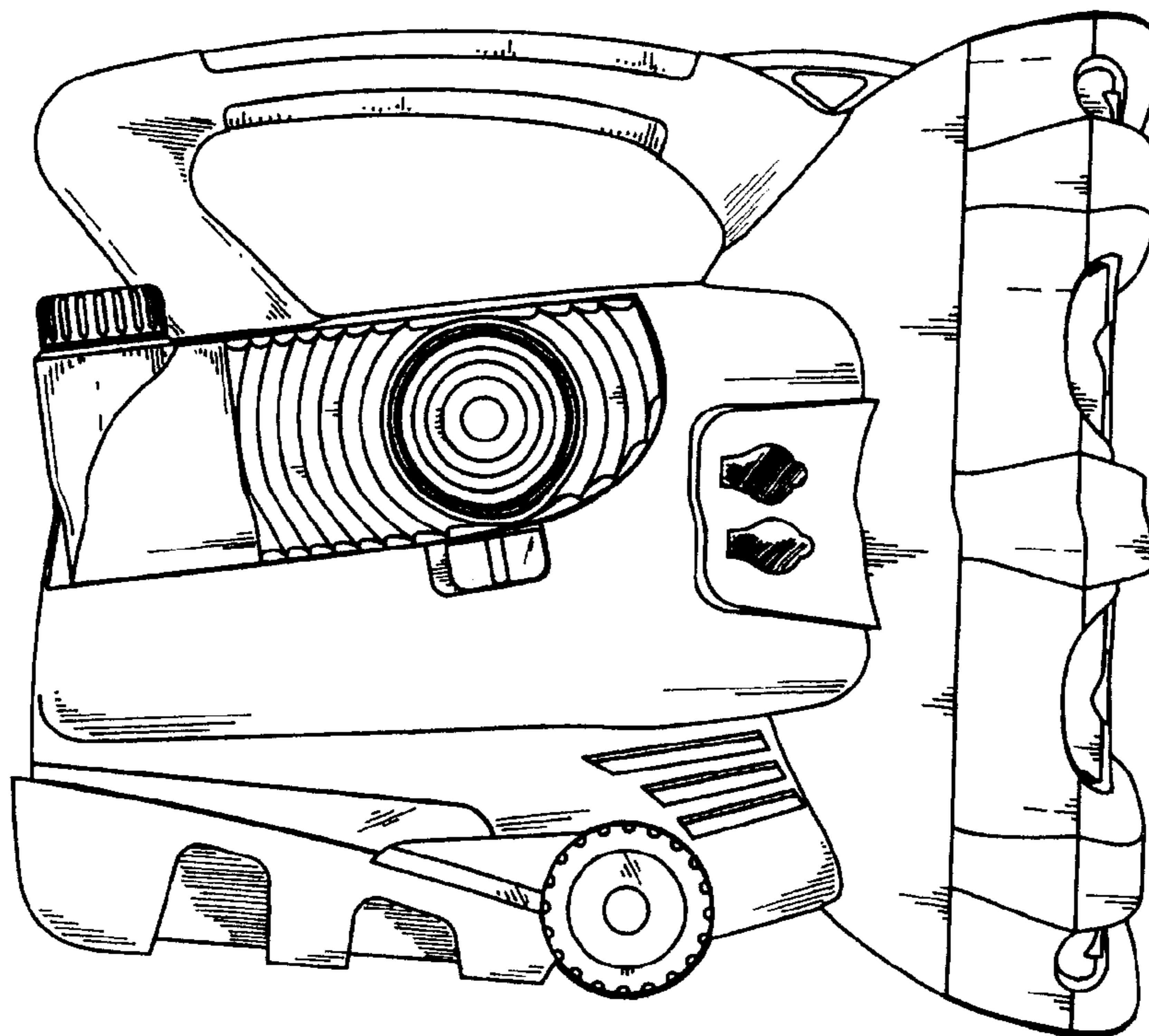


FIG. 2

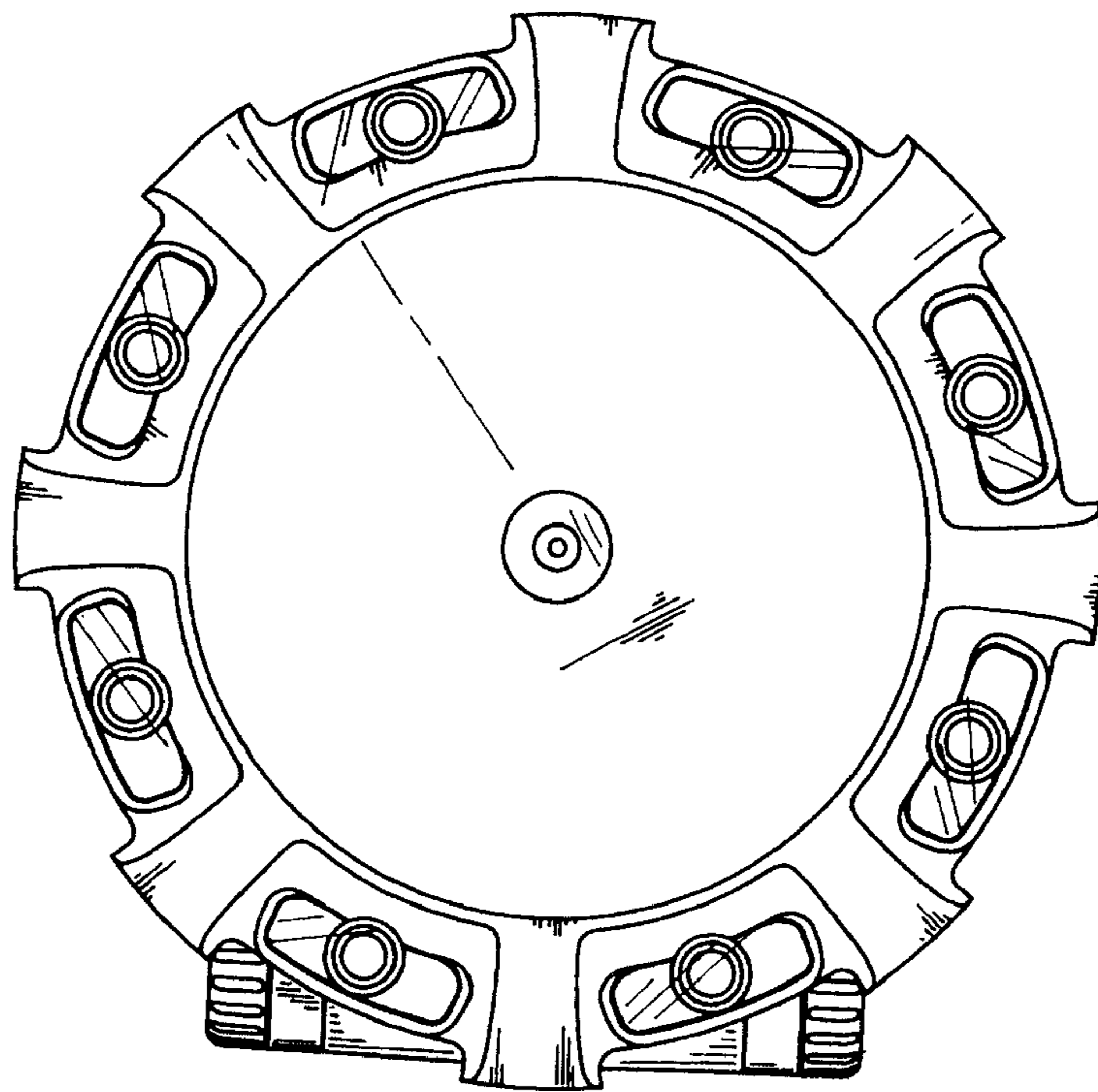


FIG. 3

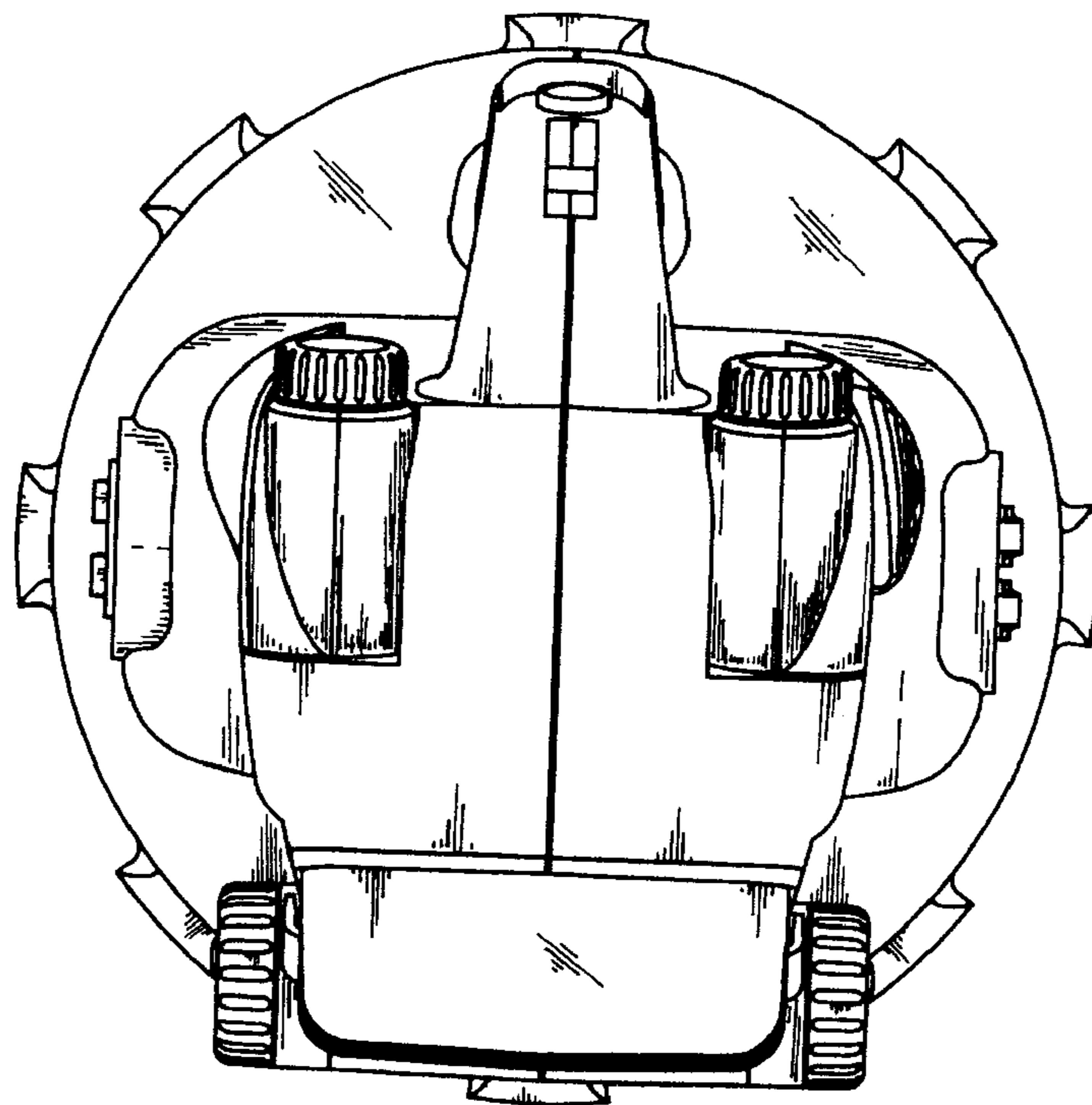


FIG. 4

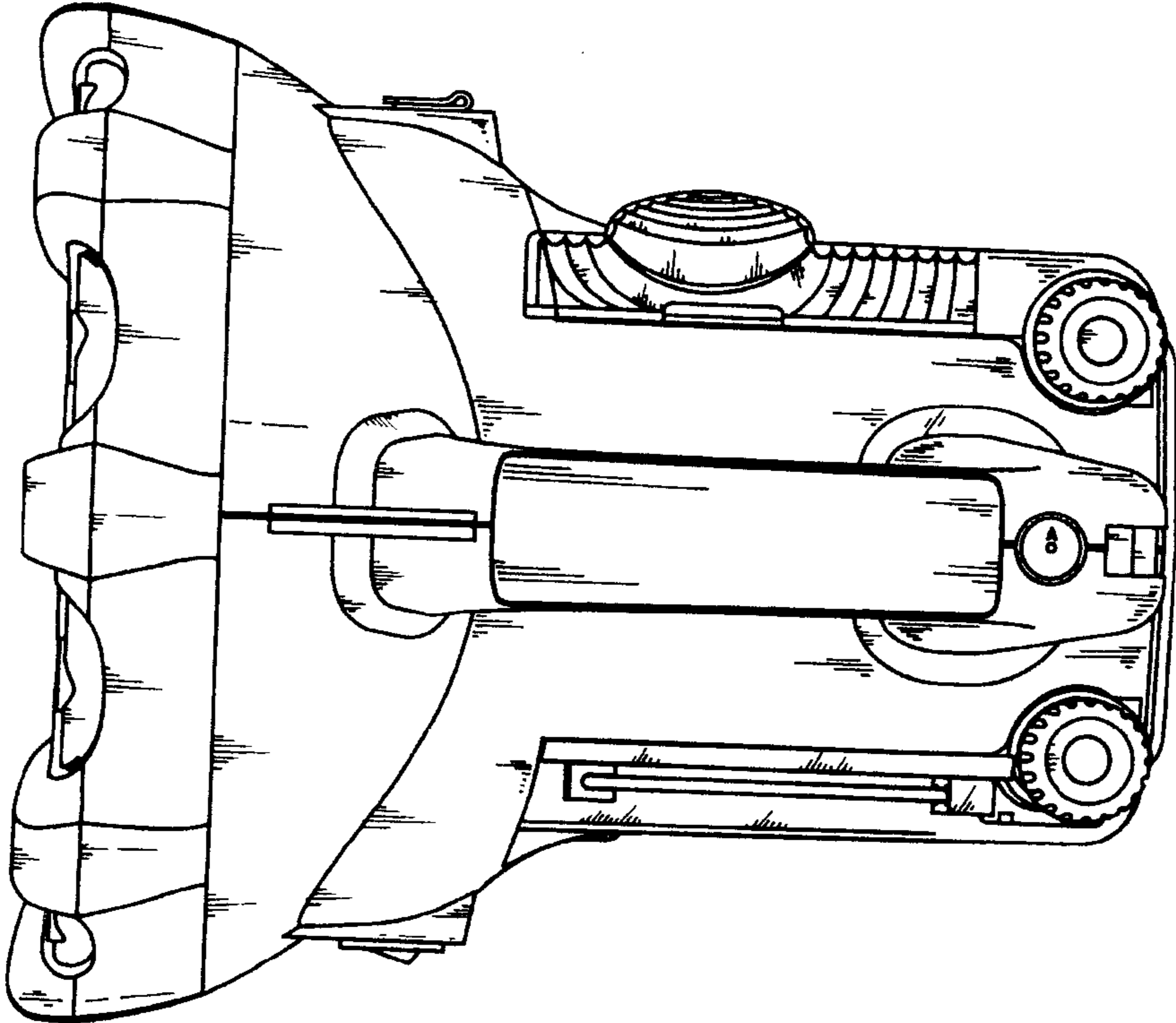


FIG. 5

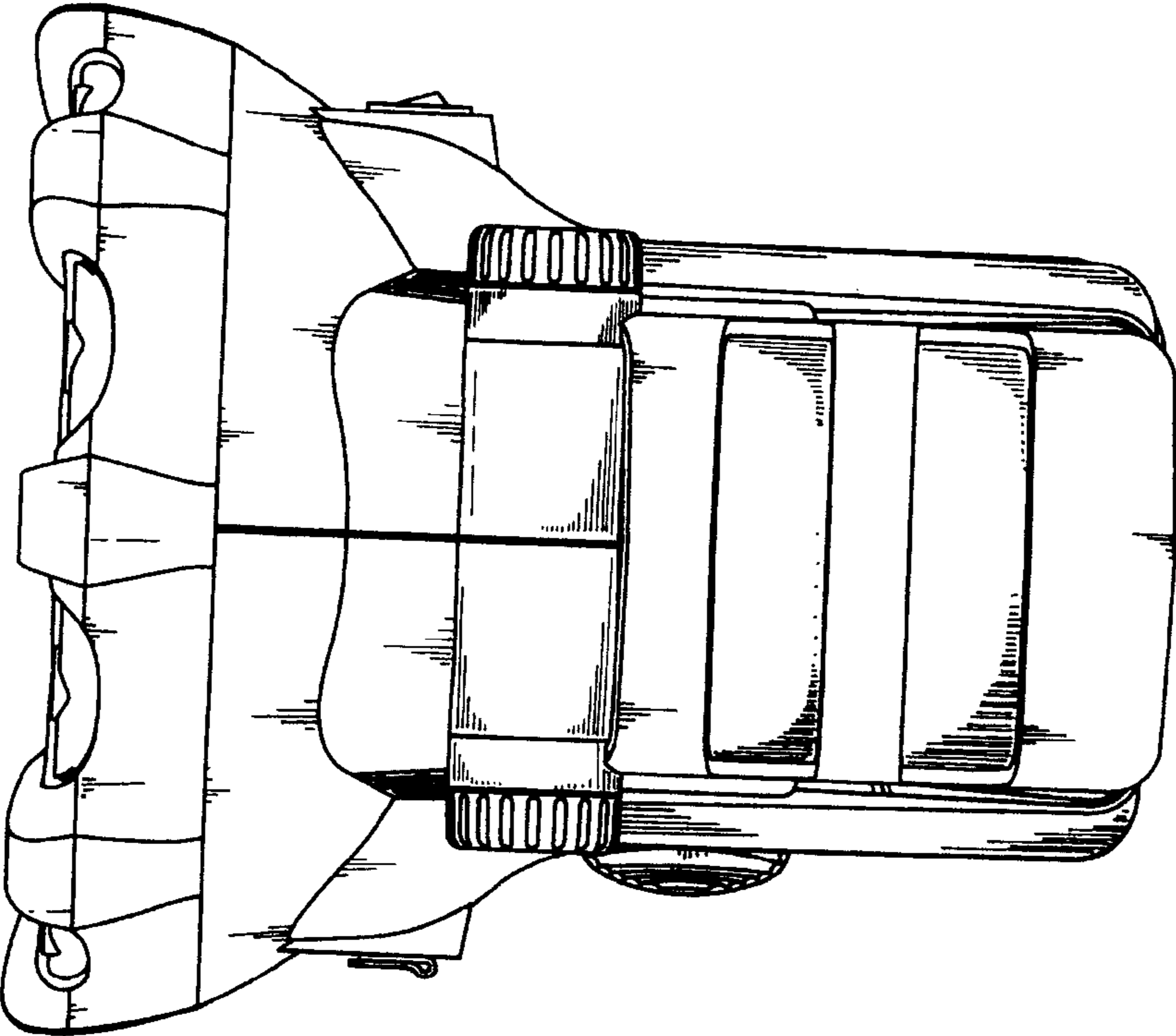


FIG. 6