



US00D532914S

(12) **United States Design Patent**  
**Yen**

(10) **Patent No.:** **US D532,914 S**

(45) **Date of Patent:** **\*\* Nov. 28, 2006**

(54) **ELECTRIC TORCH**

D481,482 S \* 10/2003 Mah ..... D26/37

(76) Inventor: **Jen-Yen Yen**, 4-3C Fl, No. 532, Sec. 1,  
Tai-Yhan Rd, Taichung City (TW), 404

\* cited by examiner

*Primary Examiner*—Marcus A. Jackson

(\*\*) Term: **14 Years**

(57) **CLAIM**

(21) Appl. No.: **29/230,667**

The ornamental design for a electric torch, as shown and described.

(22) Filed: **May 25, 2005**

(51) **LOC (8) Cl.** ..... **26-02**

(52) **U.S. Cl.** ..... **D26/37**

(58) **Field of Classification Search** ..... D26/37-50;  
362/157, 158, 171-174, 183-208  
See application file for complete search history.

**DESCRIPTION**

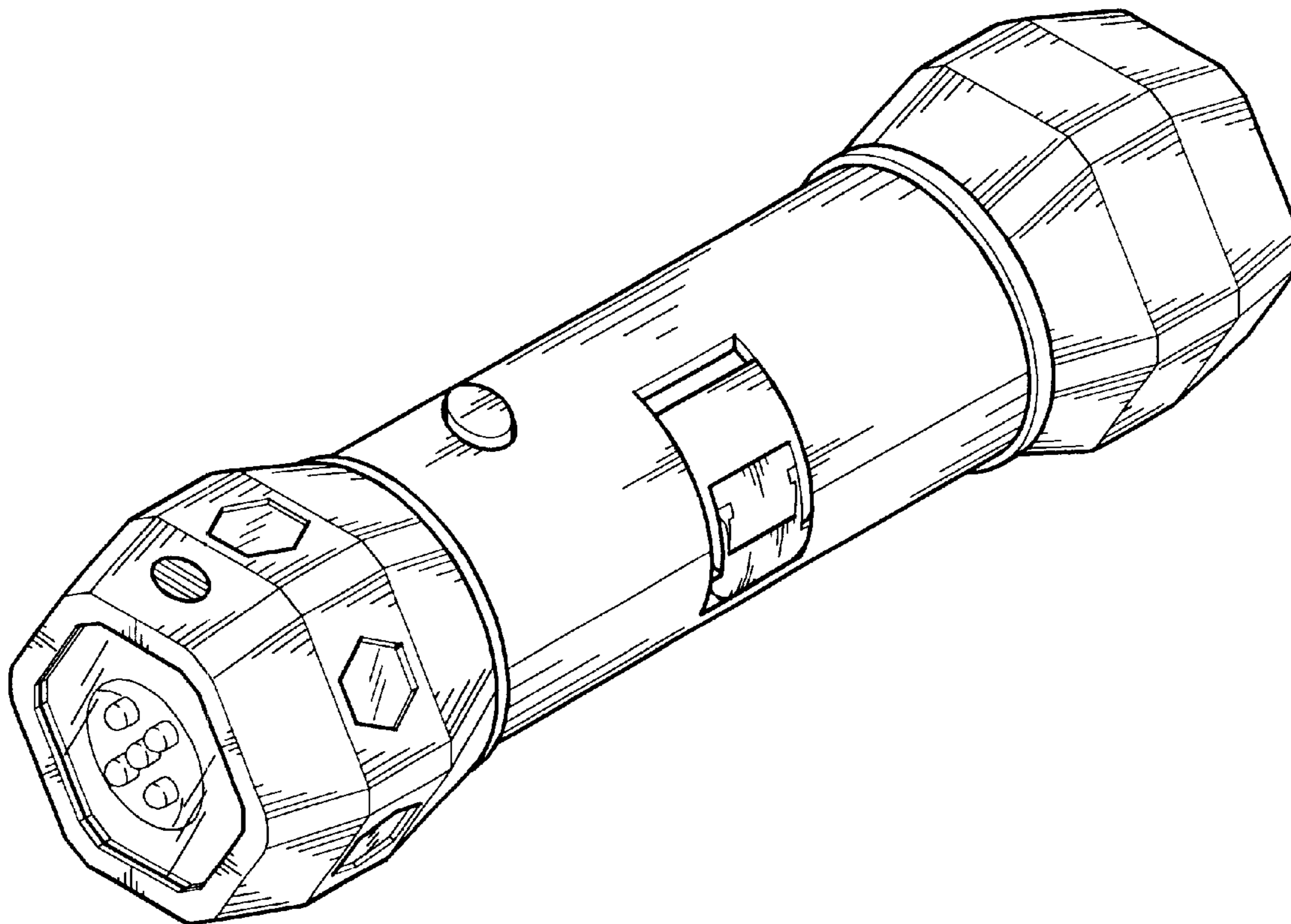
FIG. 1 is a perspective view of a electric torch showing my new design;  
FIG. 2 is a top plain view thereof;  
FIG. 3 is a bottom plain view thereof;  
FIG. 4 is a front elevational view thereof;  
FIG. 5 is a rear elevational view thereof;  
FIG. 6 is a left side elevational view thereof; and,  
FIG. 7 is a right side elevational view thereof.

(56) **References Cited**

**U.S. PATENT DOCUMENTS**

- D429,831 S \* 8/2000 Ting ..... D26/37
- D474,551 S \* 5/2003 Gohl et al. .... D26/37
- D475,798 S \* 6/2003 Galli ..... D26/37

**1 Claim, 7 Drawing Sheets**



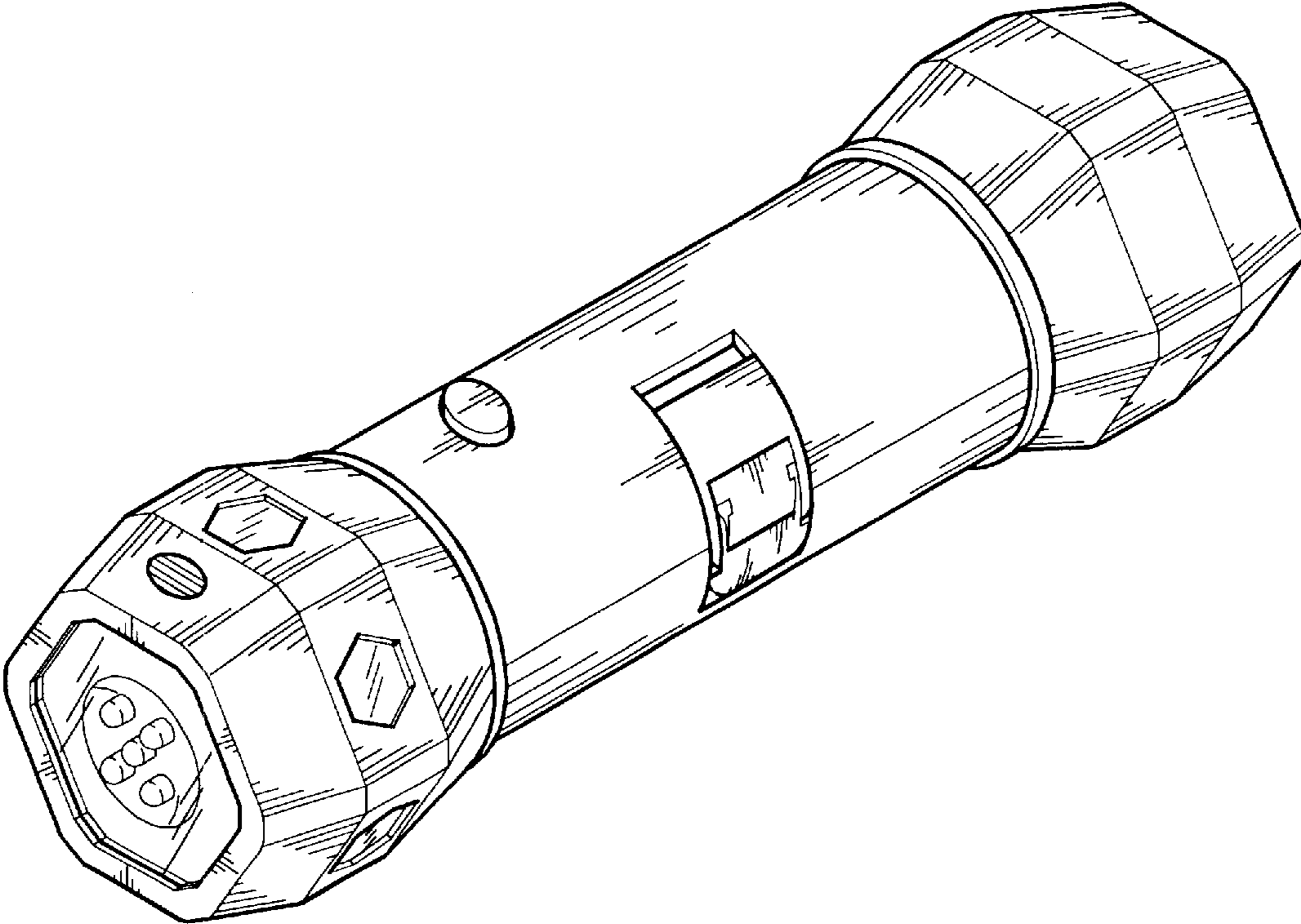


FIG. 1

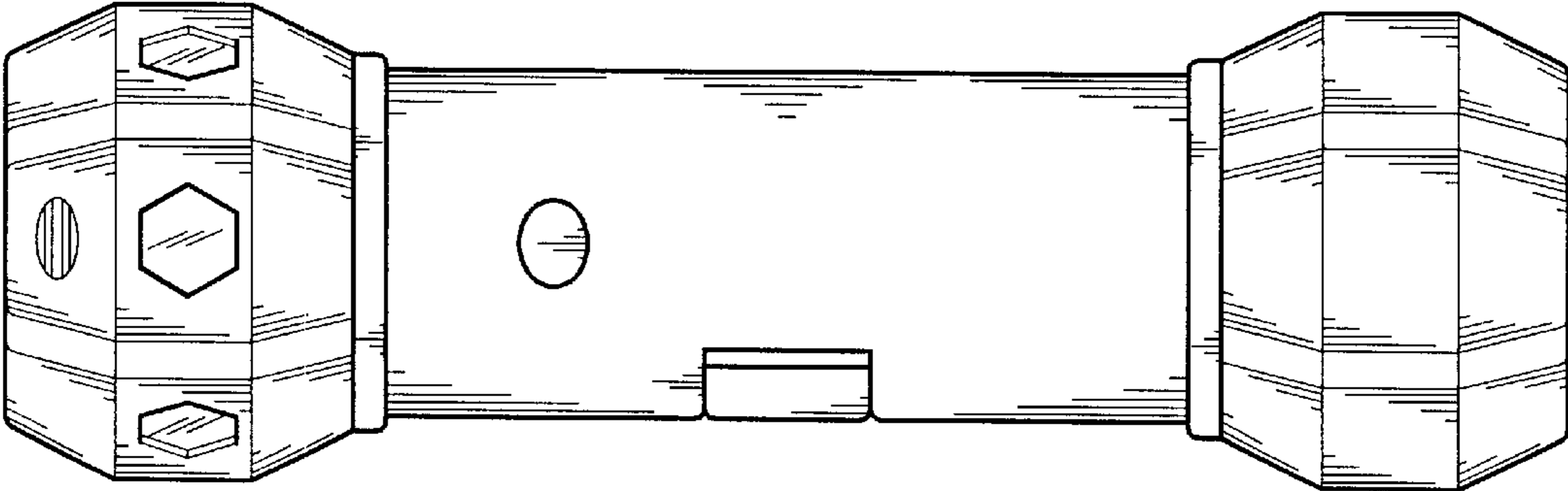


FIG. 2

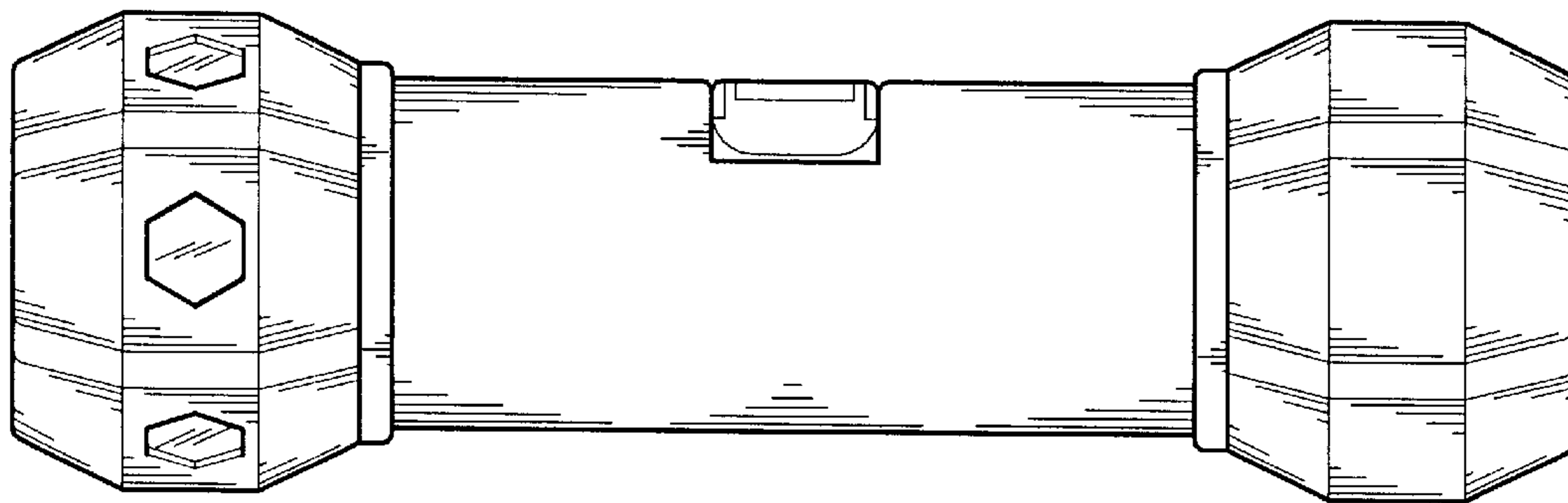


FIG. 3

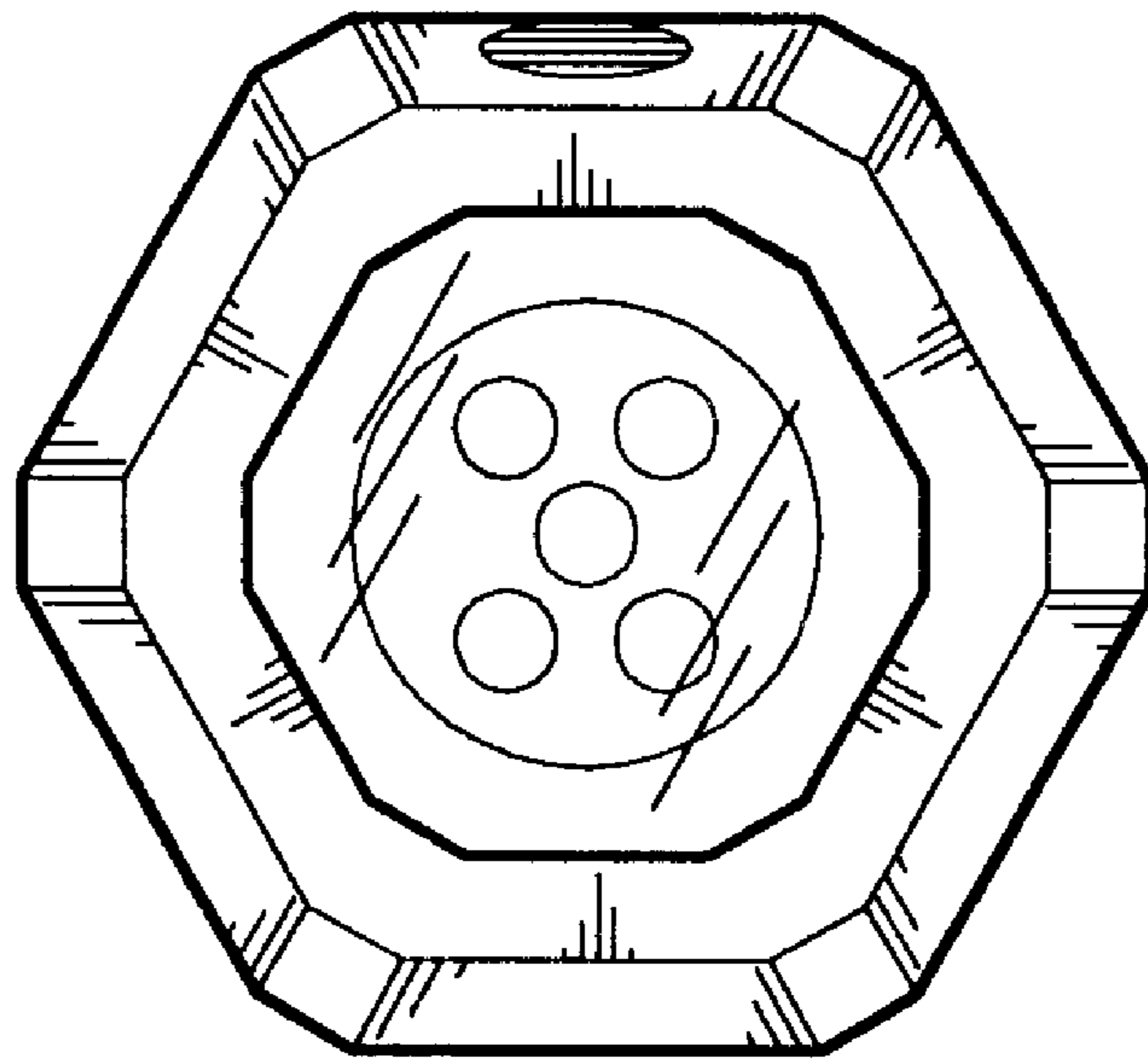


FIG. 4

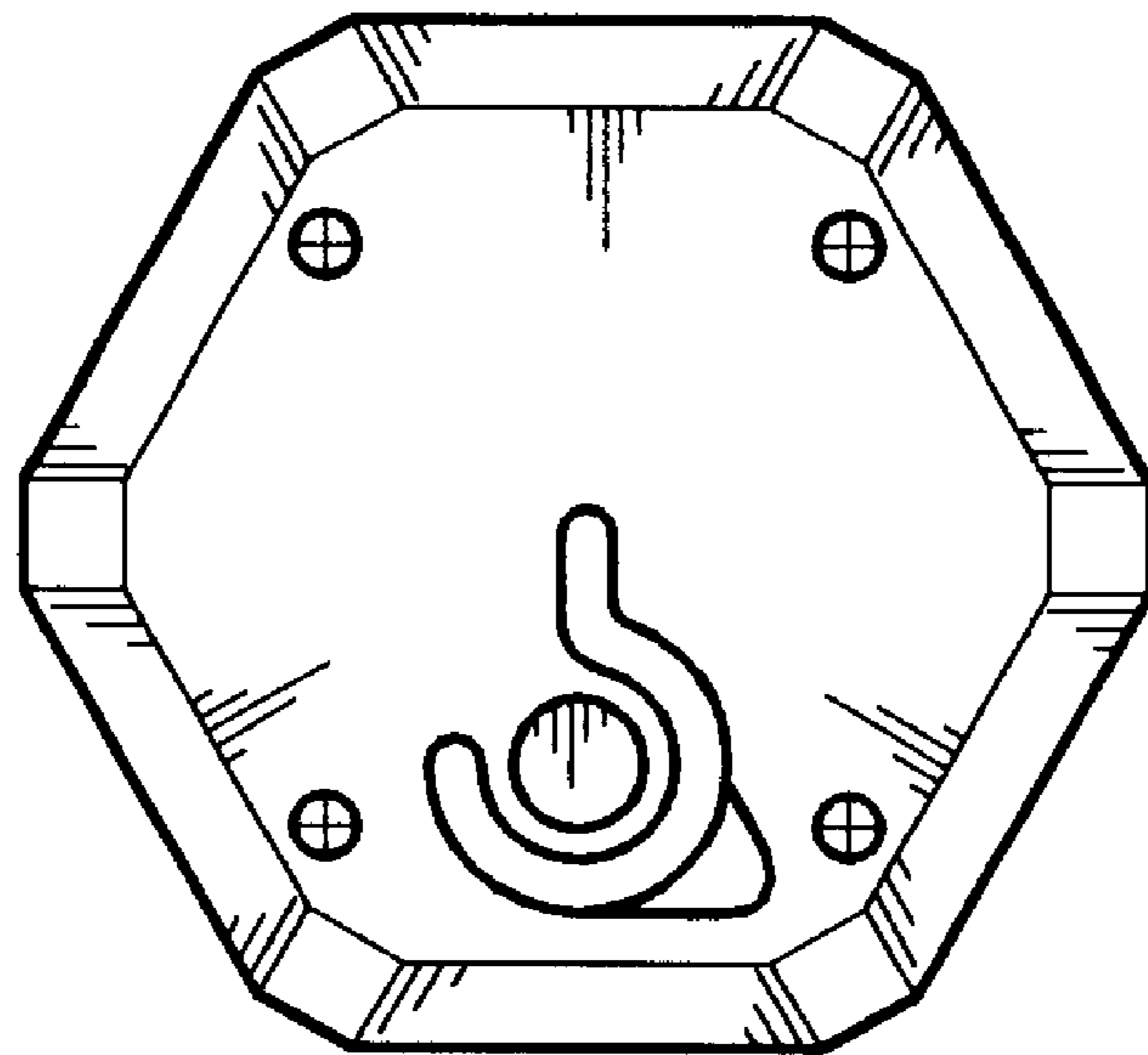


FIG. 5

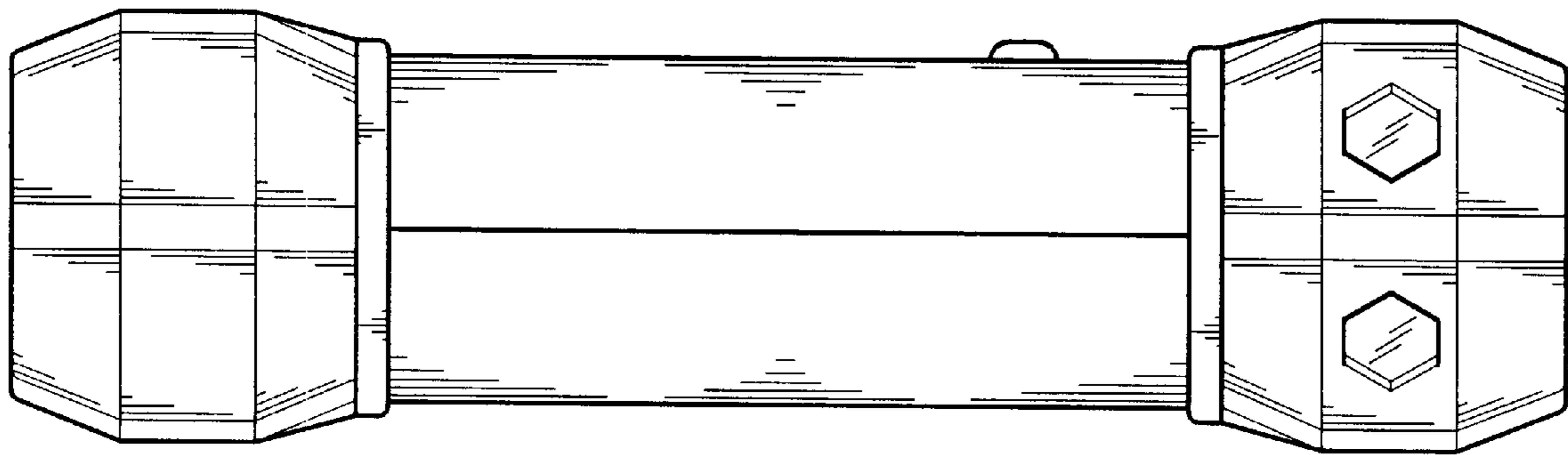


FIG. 6

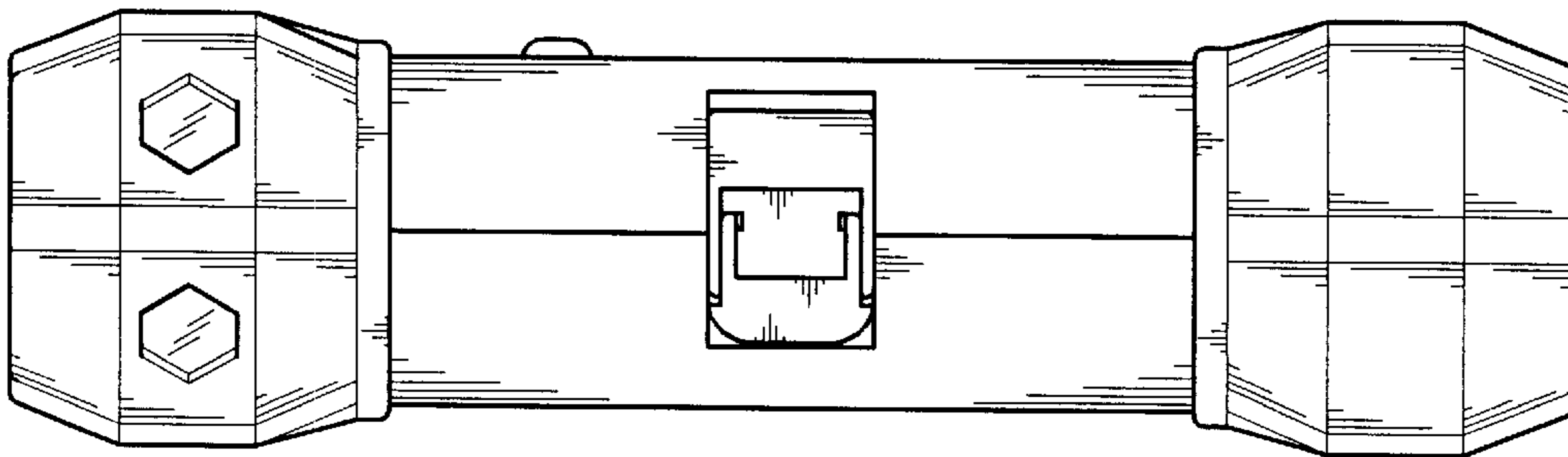


FIG. 7