



US00D532908S

(12) **United States Design Patent**
Haddock

(10) **Patent No.:** **US D532,908 S**

(45) **Date of Patent:** **** Nov. 28, 2006**

(54) **MASSAGER**

(76) Inventor: **Phillip W. Haddock**, 10509 Rawhide Trail, Austin, TX (US) 78736-2710

(**) Term: **14 Years**

(21) Appl. No.: **29/234,417**

(22) Filed: **Jul. 18, 2005**

D371,607 S	7/1996	Taylor	D24/211
D373,195 S	8/1996	Hoff	D24/211
D381,083 S	7/1997	Ratajac	D24/211
D435,660 S	12/2000	Yoo	D24/211
6,245,031 B1	6/2001	Pearson	601/118
D447,527 S	9/2001	Hocknell et al.	D21/759
D448,439 S	9/2001	Hocknell et al.	D21/759
D476,746 S	* 7/2003	Harris et al.	D24/215
D497,208 S	* 10/2004	Longoria et al.	D24/214
2001/0027280 A1	* 10/2001	Huang	601/108

* cited by examiner

Primary Examiner—Ian Simmons

(74) *Attorney, Agent, or Firm*—Fulbright & Jaworski L.L.P.

Related U.S. Application Data

(62) Division of application No. 29/198,144, filed on Jan. 26, 2004, now Pat. No. Des. 507,655, which is a division of application No. 29/168,916, filed on Oct. 10, 2002, now Pat. No. Des. 486,235.

(51) **LOC (8) Cl.** **28-03**

(52) **U.S. Cl.** **D24/211; D24/215**

(58) **Field of Classification Search** D24/211, D24/212, 214, 215, 200; D21/735, 733; 601/113, 601/118, 110, 115, 135, 134, 137, 136, 131, 601/130, 108

See application file for complete search history.

(57) **CLAIM**

The ornamental design for a massager, as shown and described.

DESCRIPTION

FIG. 1 is a right side view of a massager showing my new design;

FIG. 2 is a left side view thereof;

FIG. 3 is a front view thereof;

FIG. 4 is a back view thereof;

FIG. 5 is a top view thereof;

FIG. 6 is a bottom view thereof; and,

FIG. 7 is a perspective view thereof.

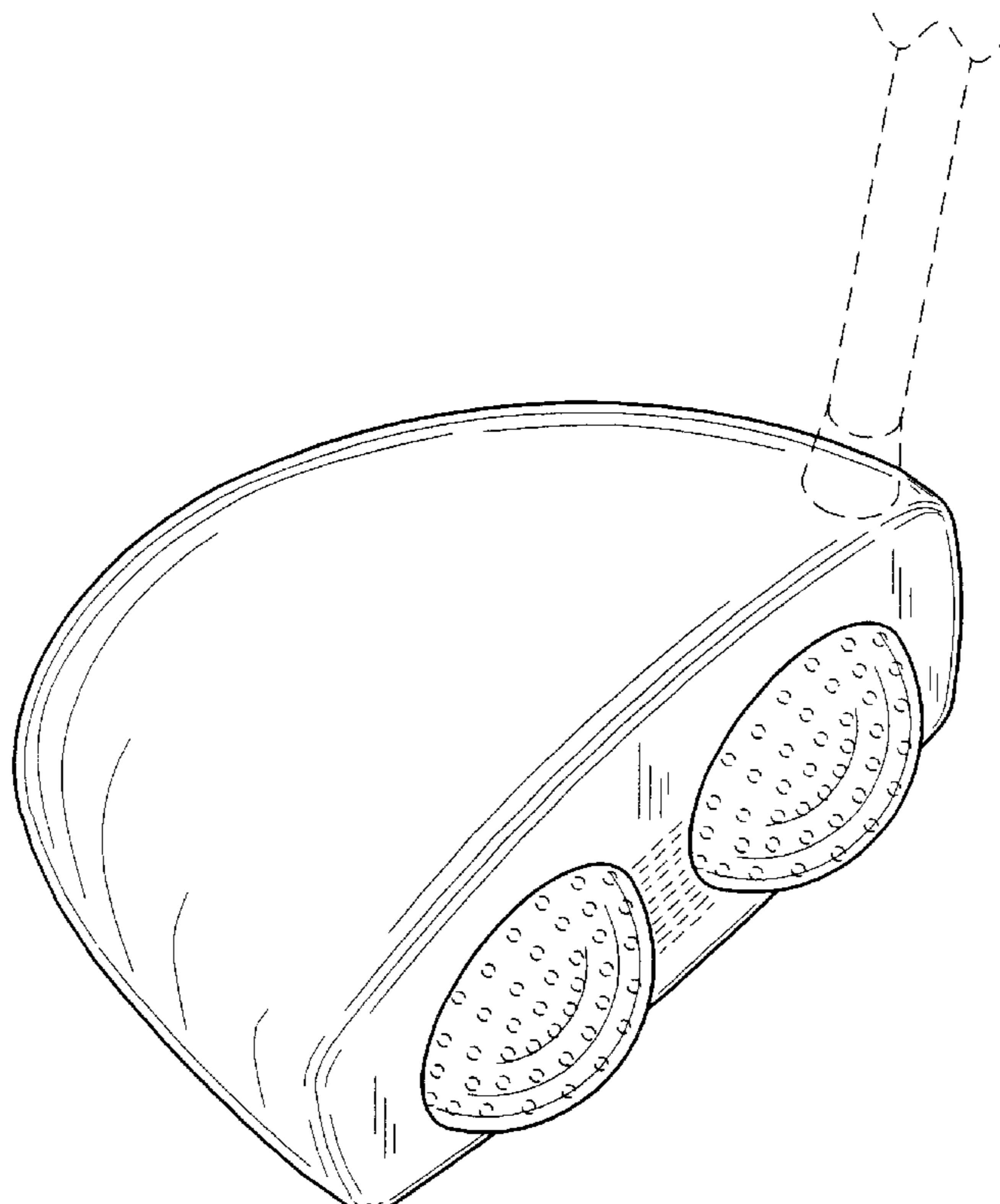
The broken lines shown in the figures illustrate environmental structure only, and form no part of the claimed design.

(56) **References Cited**

U.S. PATENT DOCUMENTS

1,615,910 A	2/1927	Nuyts	
D104,495 S	5/1937	Gallagher	D21/735
2,258,931 A	10/1941	Heer	D24/211
2,752,915 A	7/1956	Riblet	D24/212
4,493,315 A	1/1985	Iwahashi	128/60
D314,620 S	2/1991	Battaglia	D24/36

1 Claim, 4 Drawing Sheets



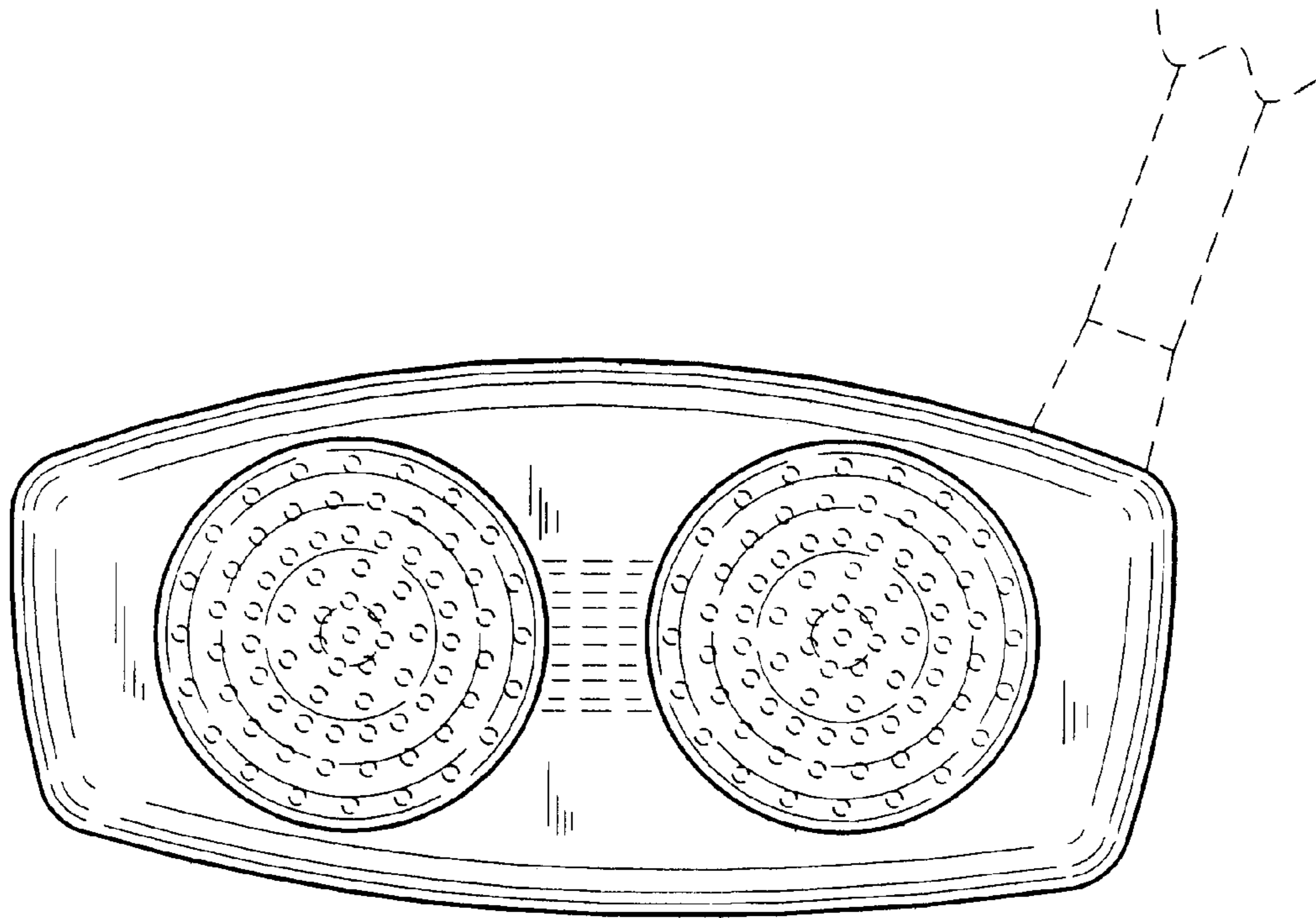


FIG. 1

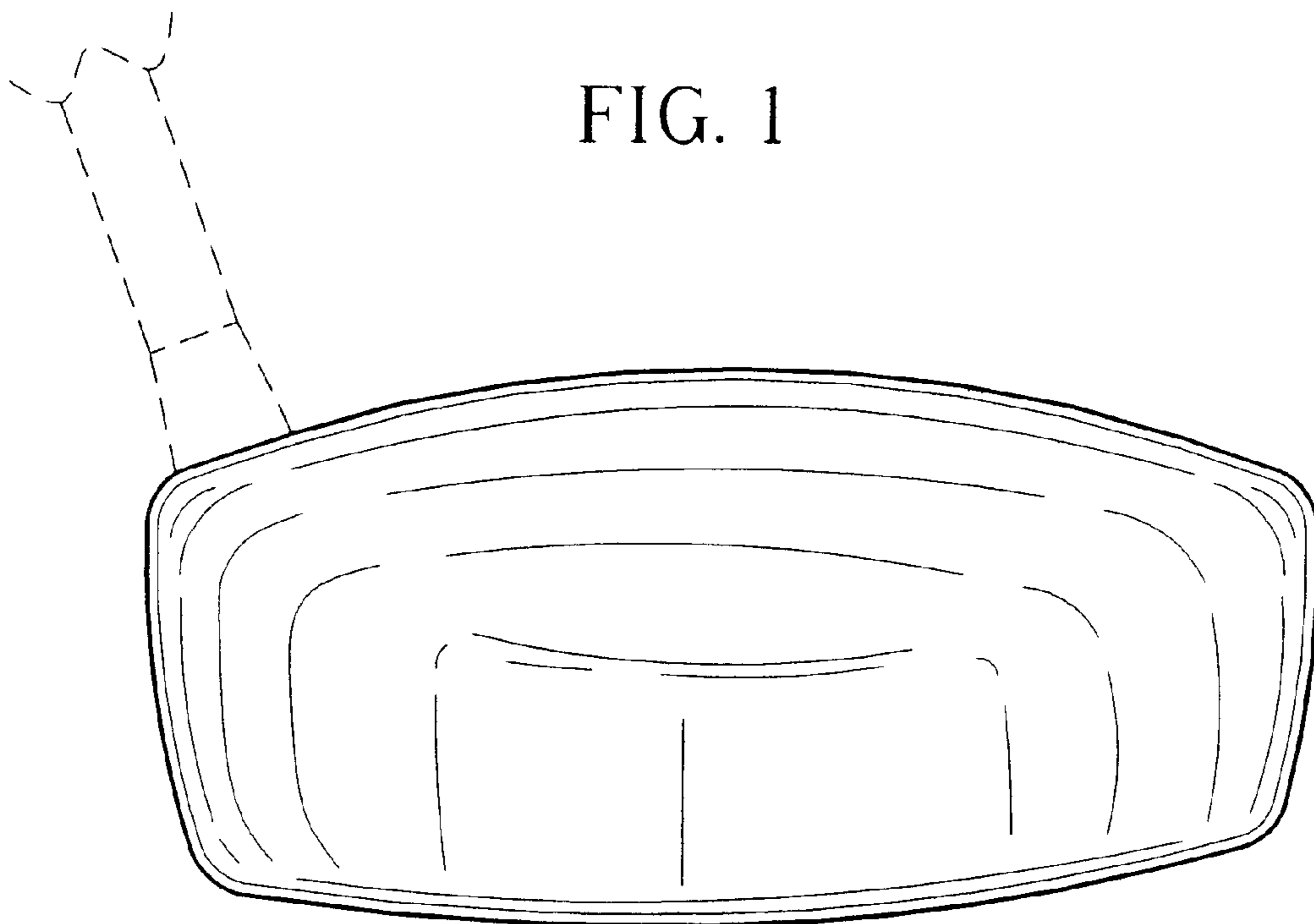


FIG. 2

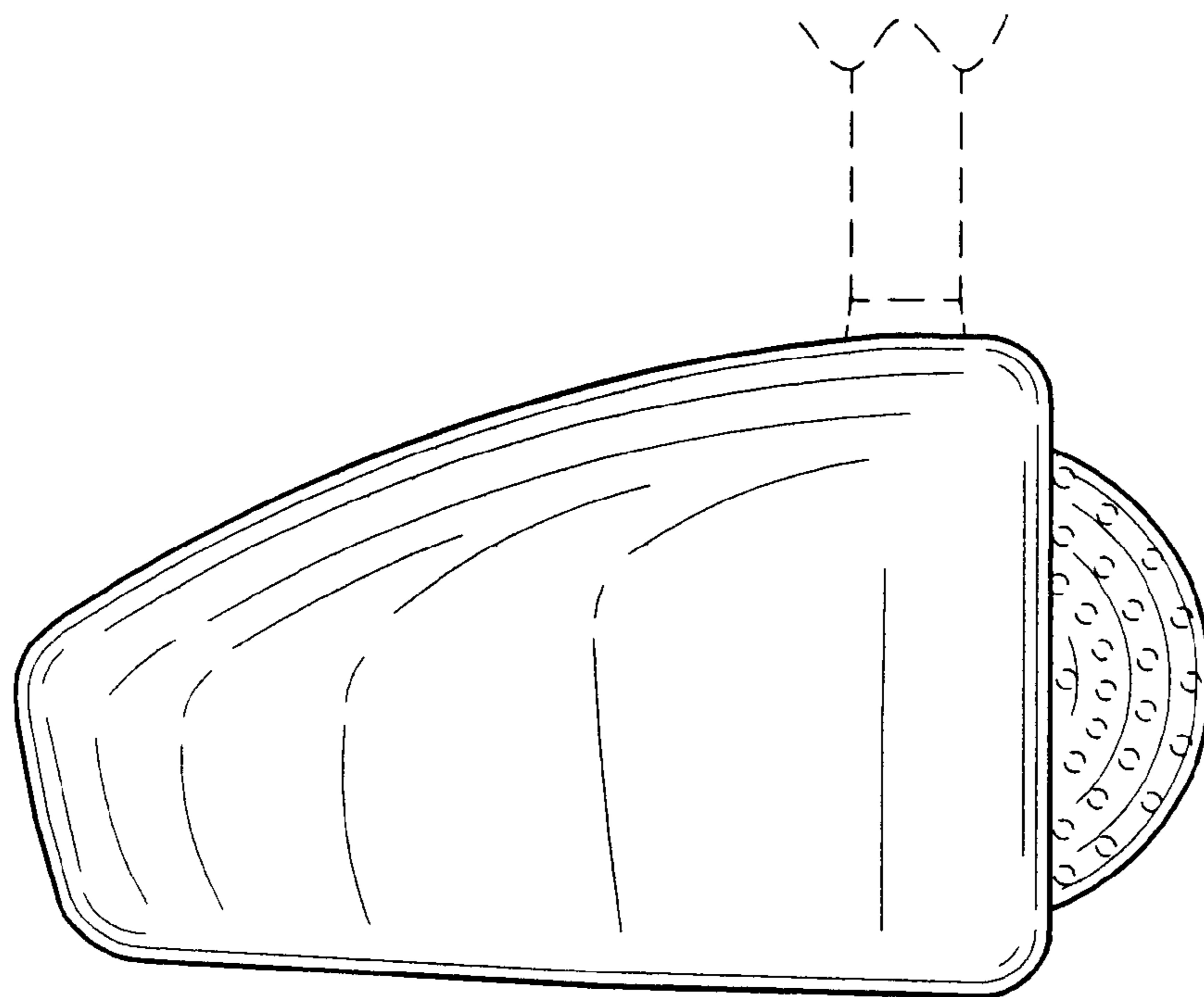


FIG. 3

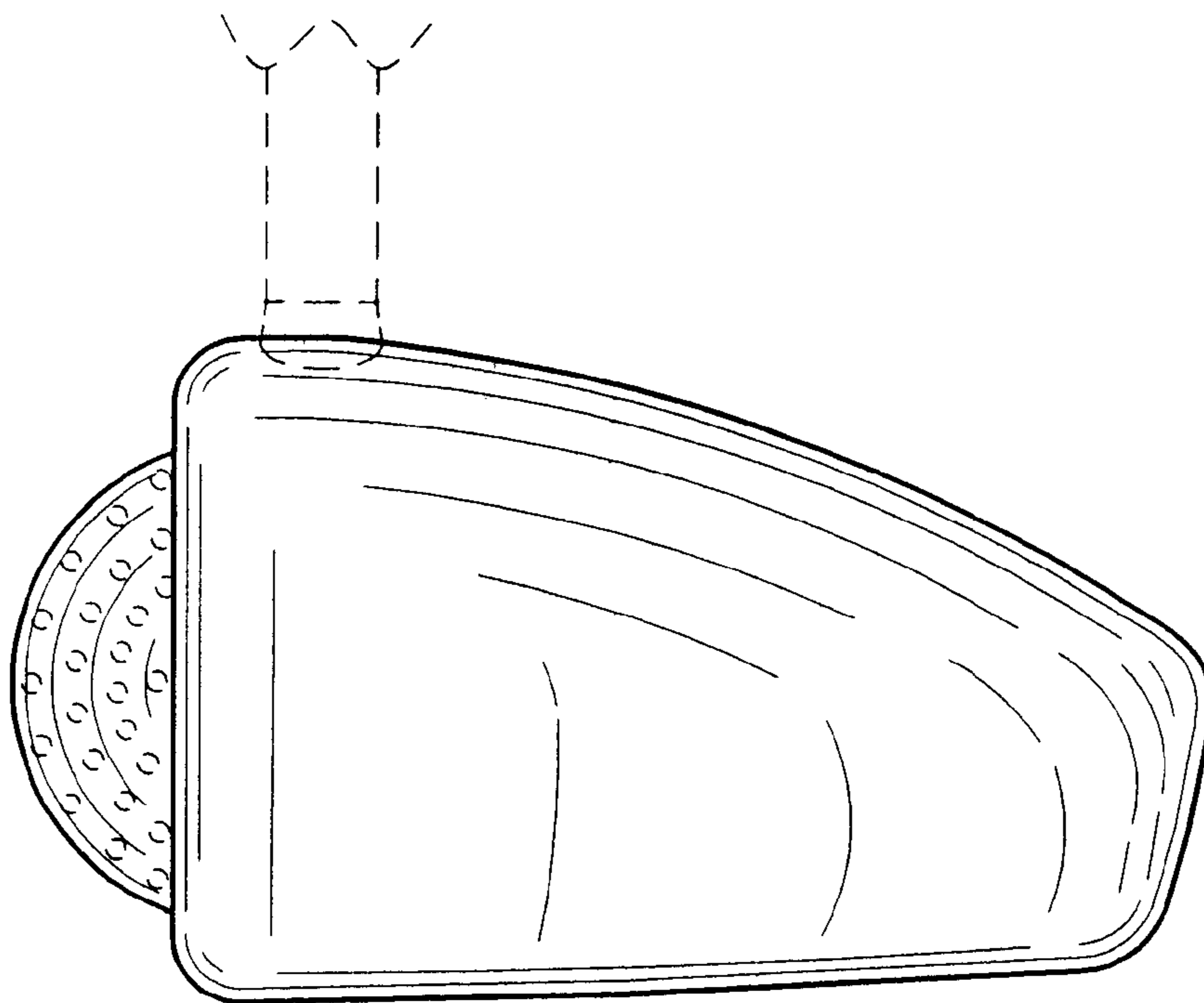


FIG. 4

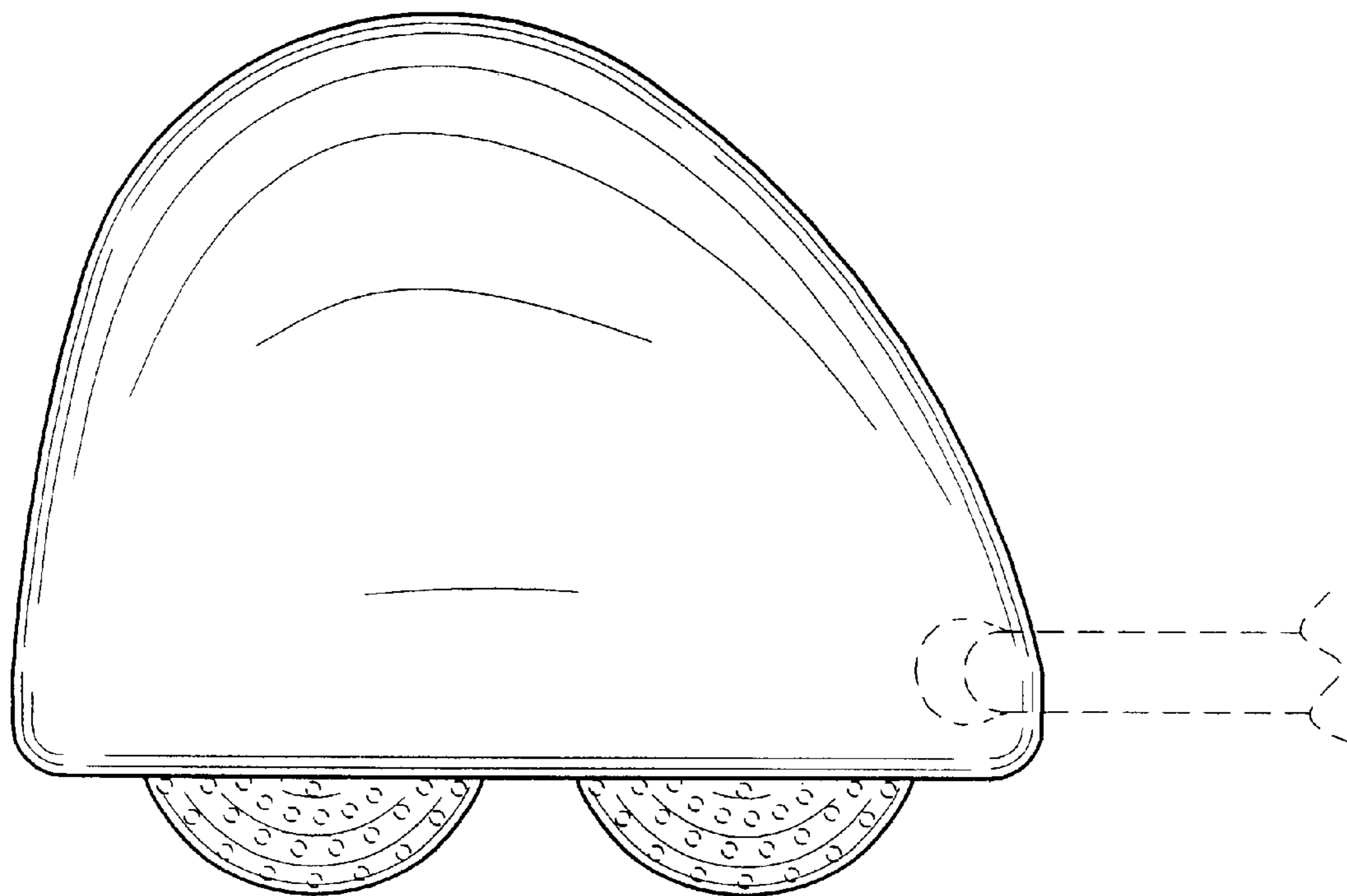


FIG. 5

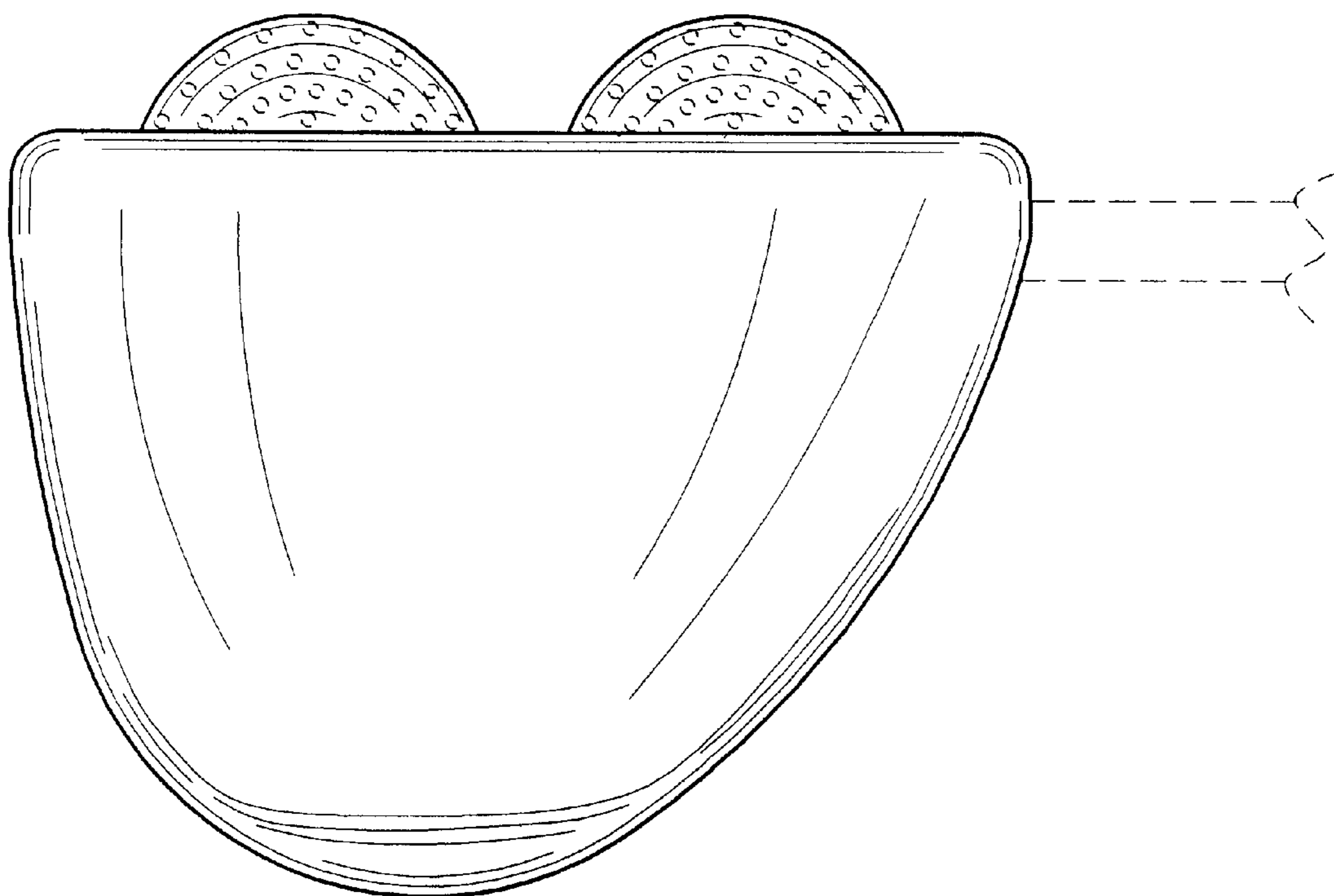


FIG. 6

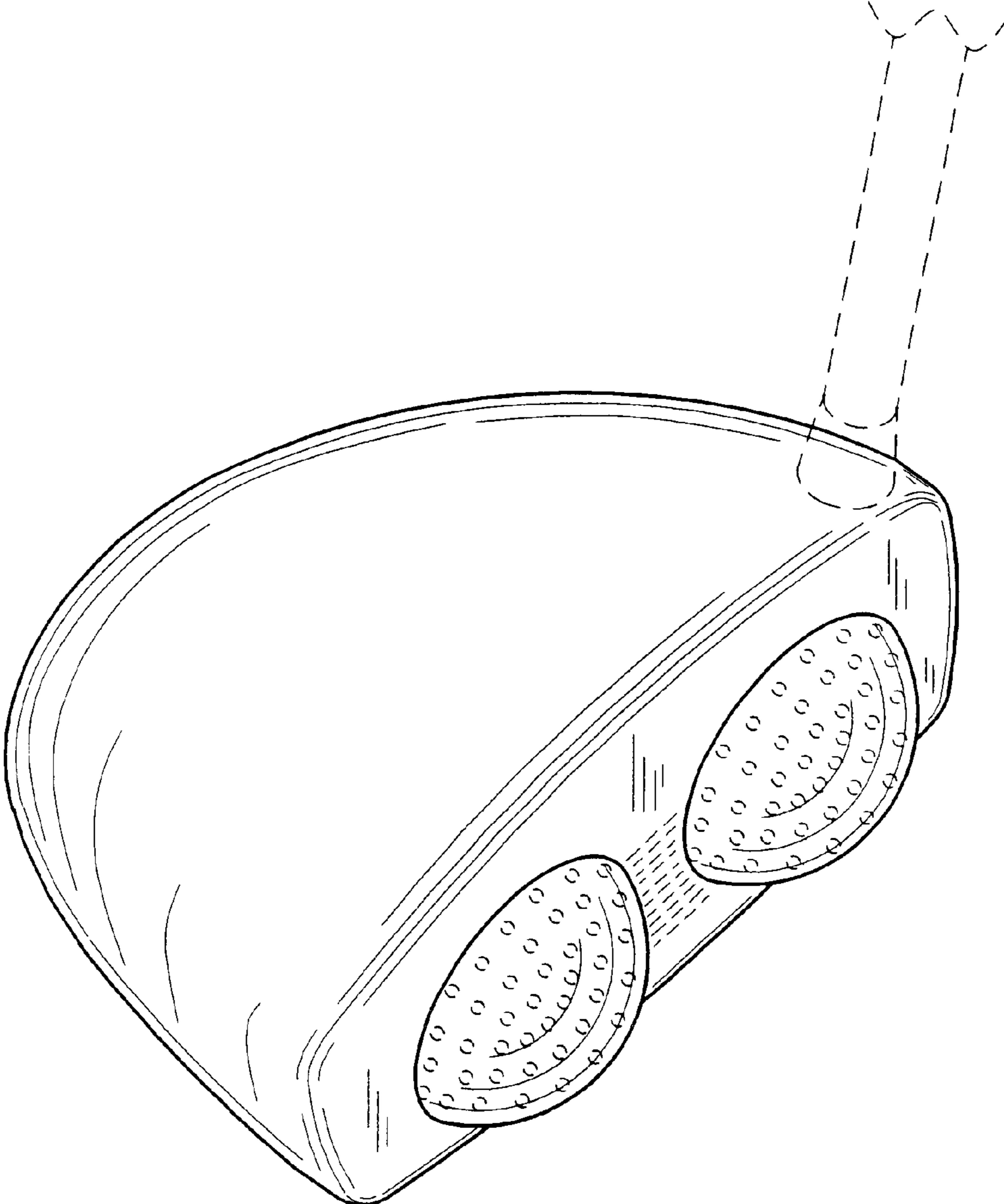


FIG. 7