



US00D532905S

(12) **United States Design Patent**
Flaherty

(10) **Patent No.:** **US D532,905 S**

(45) **Date of Patent:** **** Nov. 28, 2006**

(54) **ONE-HANDED ON/OFF TUBING CLAMP**

DESCRIPTION

(76) Inventor: **Patrice Flaherty**, 12858 Hwy. 84 West,
Trout, LA (US) 71371

(**) Term: **14 Years**

(21) Appl. No.: **29/210,617**

(22) Filed: **Aug. 3, 2004**

(51) **LOC (8) Cl.** **24-02**

(52) **U.S. Cl.** **D24/143**

(58) **Field of Classification Search** D24/143,
D24/133, 127-129; D8/396; D9/454, 516,
D9/763; D2/607; D11/200, 215, 607, 609;
251/4, 9, 10

See application file for complete search history.

(56) **References Cited**

U.S. PATENT DOCUMENTS

4,328,605	A	*	5/1982	Hutchison et al.	24/115	G
D343,570	S	*	1/1994	Meier	D8/383	
5,323,514	A	*	6/1994	Masuda et al.	24/115	G
D368,852	S	*	4/1996	Ikeda	D8/383	
D417,388	S	*	12/1999	Kawahara	D8/383	

* cited by examiner

Primary Examiner—Antoine D. Davis

Assistant Examiner—Christopher Lee

(74) *Attorney, Agent, or Firm*—R. Keith Harrison

(57) **CLAIM**

The ornamental design for a “one-handed on/off tubing clamp”, as shown and described.

FIG. 1 is a front perspective view of the one-handed on/off tubing clamp, with a segment of medical tubing (in phantom) extending through the clamp, which medical tubing does not form a part of the claimed design;

FIG. 2 is a rear perspective view of the one-handed on/off tubing clamp, with a segment of medical tubing (in phantom) extending through the clamp, which medical tubing does not form a part of the claimed design;

FIG. 3 is a front view of the one-handed on/off tubing clamp, with a segment of medical tubing (in phantom) extending through the clamp, which medical tubing does not form a part of the claimed design;

FIG. 4 is a rear view of the one-handed on/off tubing clamp, with a segment of medical tubing (in phantom) extending through the clamp, which medical tubing does not form a part of the claimed design;

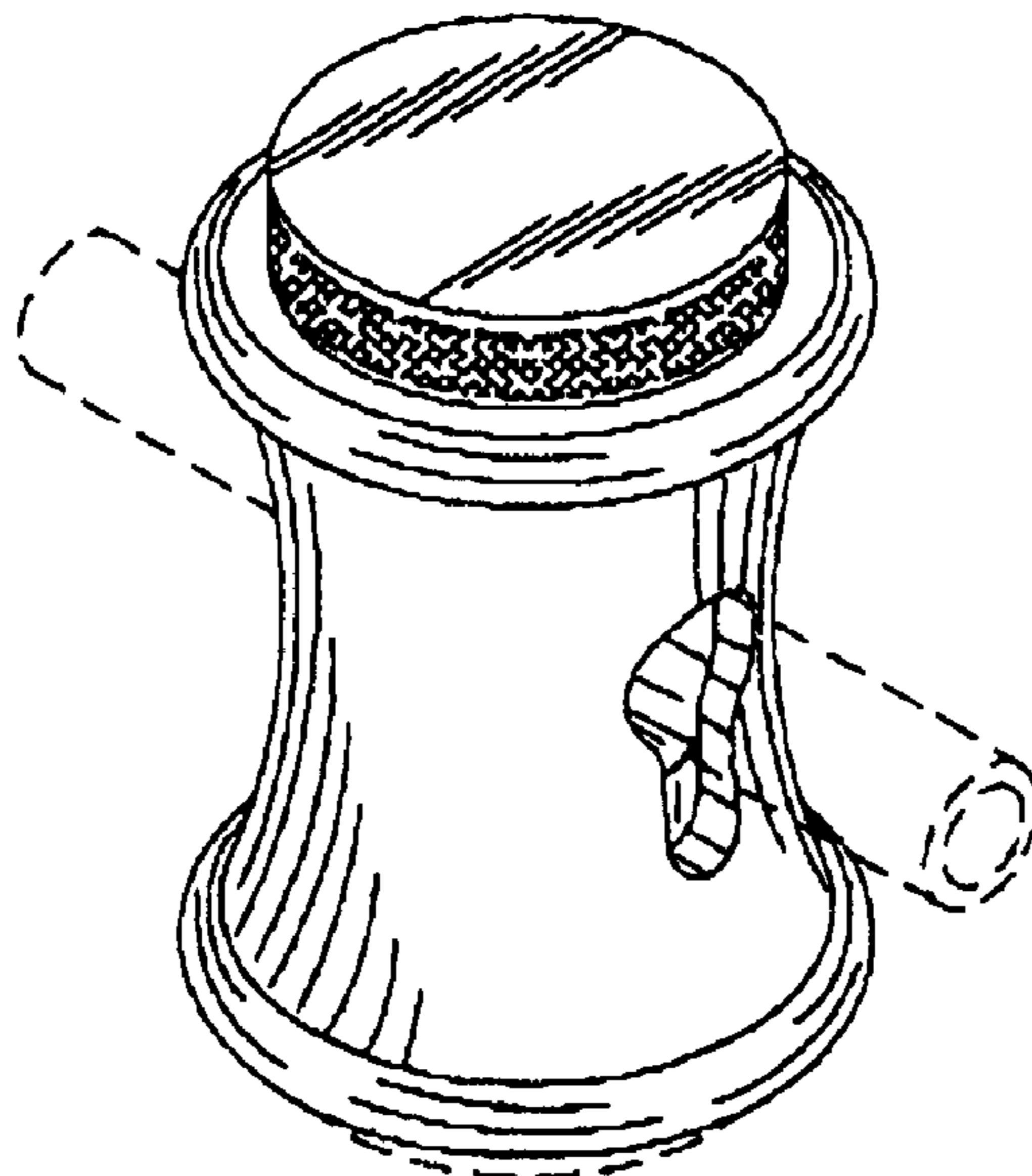
FIG. 5 is a right side view of the one-handed on/off tubing clamp, with a segment of medical tubing (in phantom) extending through the clamp, which medical tubing does not form a part of the claimed design;

FIG. 6 is a left side view of the one-handed on/off tubing clamp, with a segment of medical tubing (in phantom) extending through the clamp, which medical tubing does not form a part of the claimed design;

FIG. 7 is a top view of the one-handed on/off tubing clamp, with a segment of medical tubing (in phantom) extending through the clamp, which medical tubing does not form a part of the claimed design; and,

FIG. 8 is a bottom view of the one-handed on/off tubing clamp, with a segment of medical tubing (in phantom) extending through the clamp, which medical tubing does not form a part of the claimed design.

1 Claim, 2 Drawing Sheets



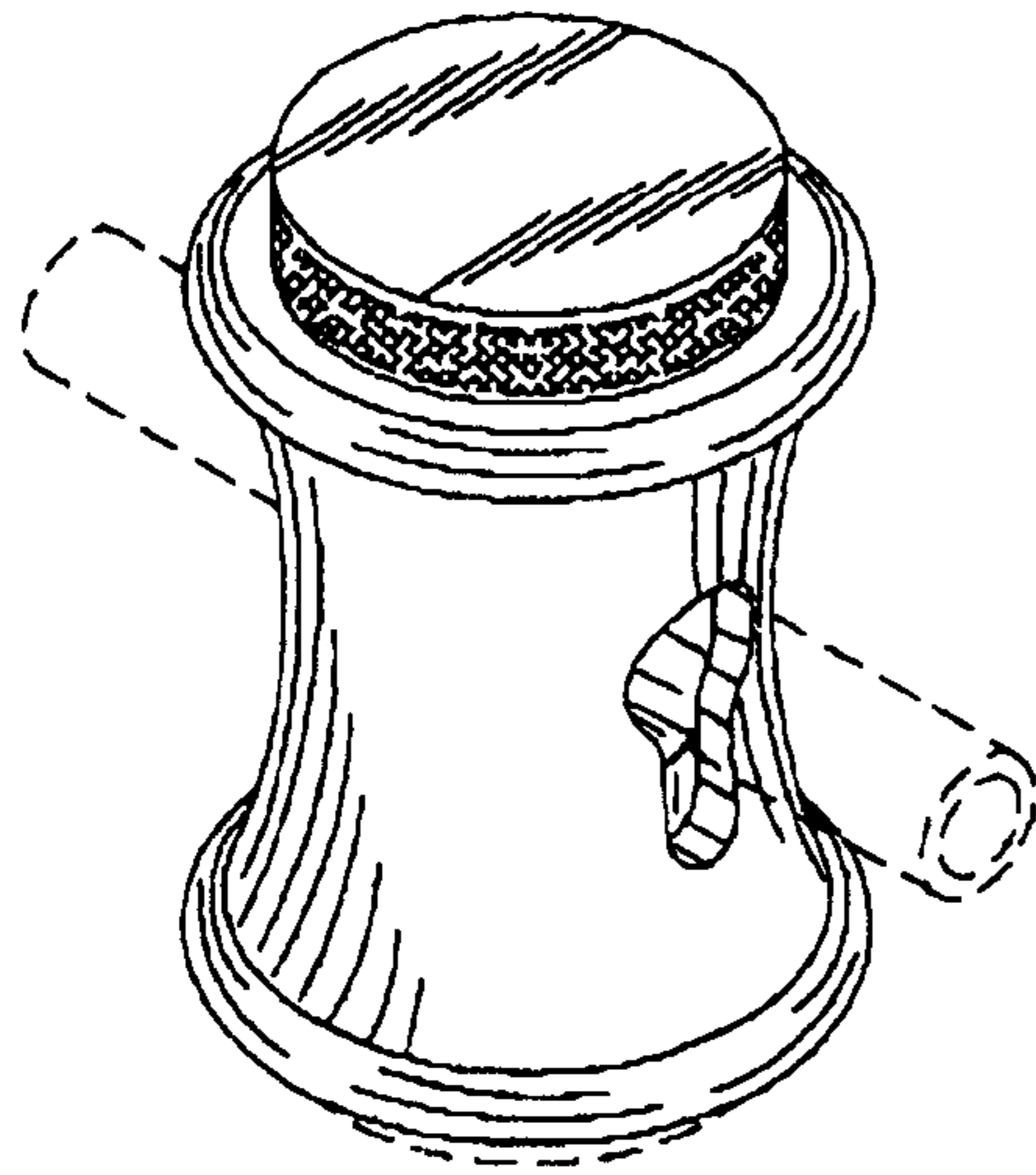


FIG. 1

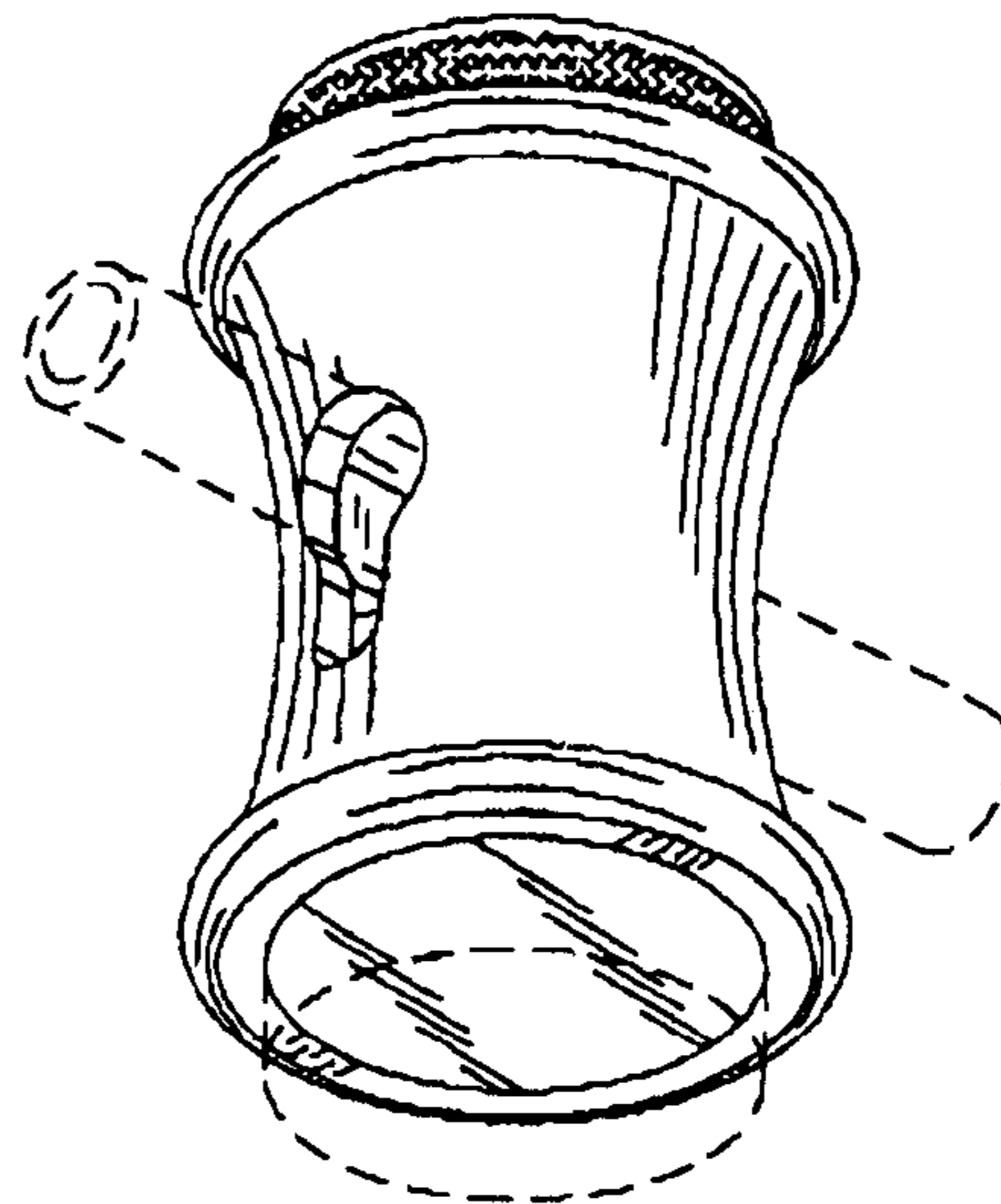


FIG. 2

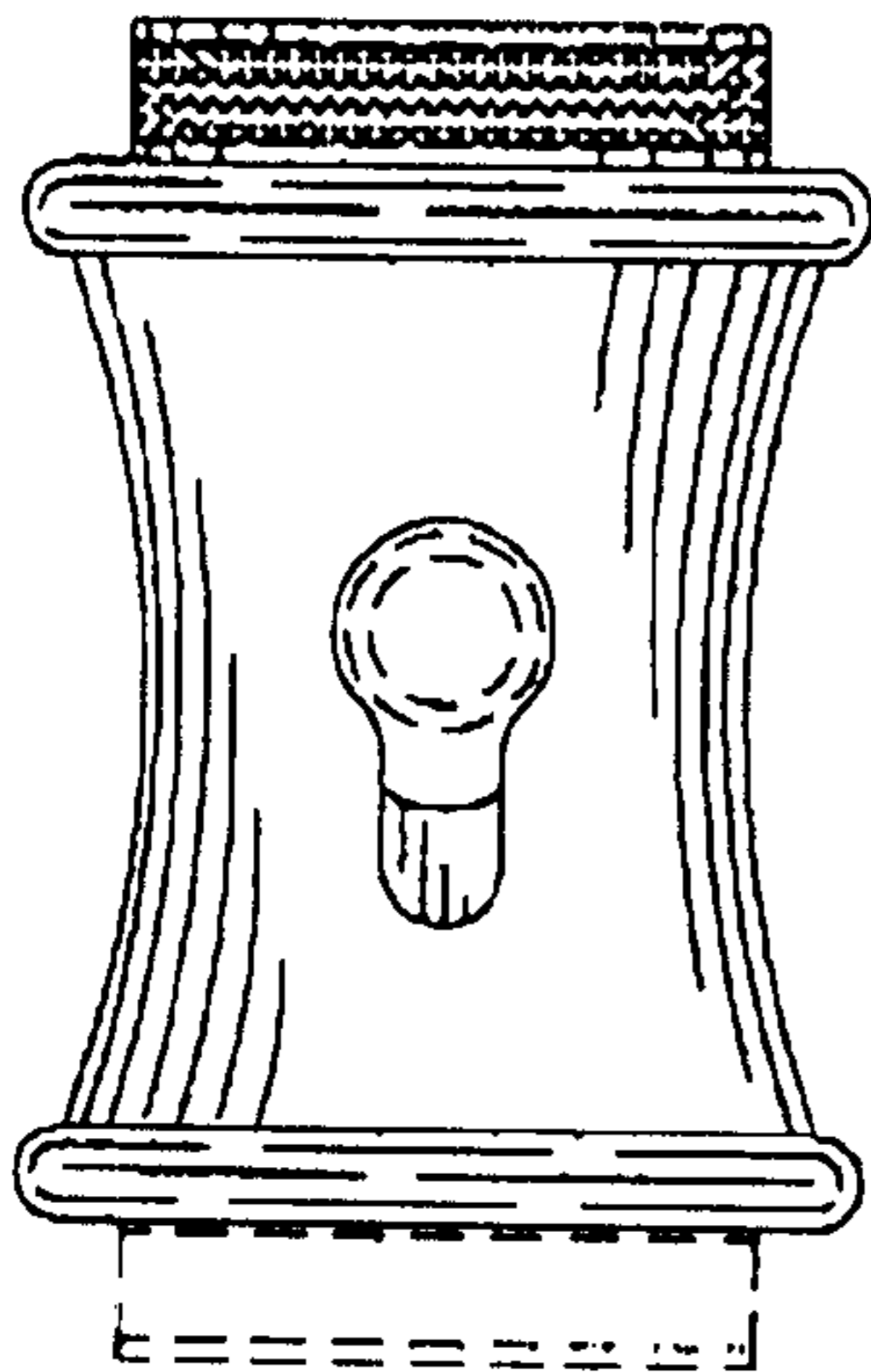


FIG. 3

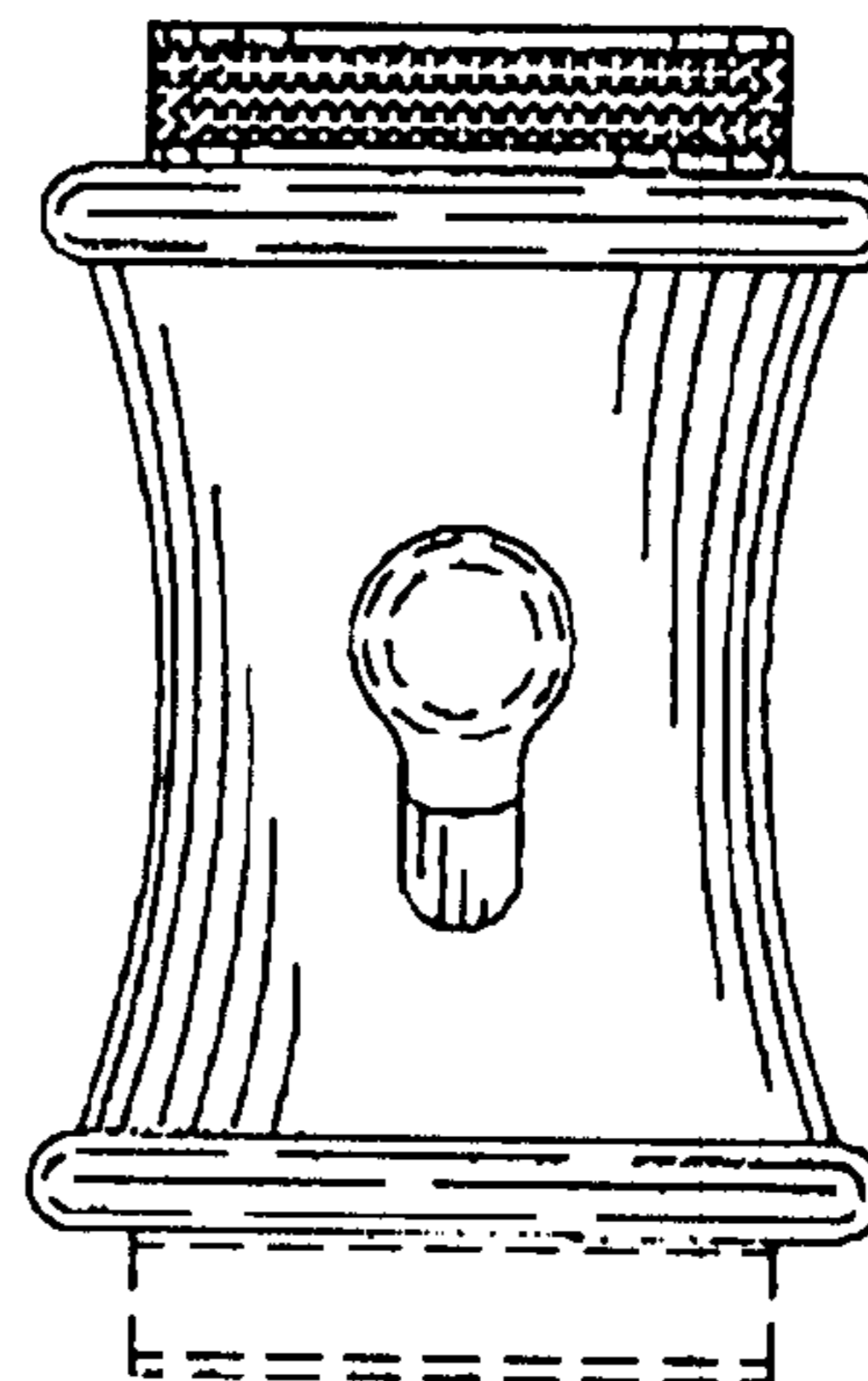


FIG. 4

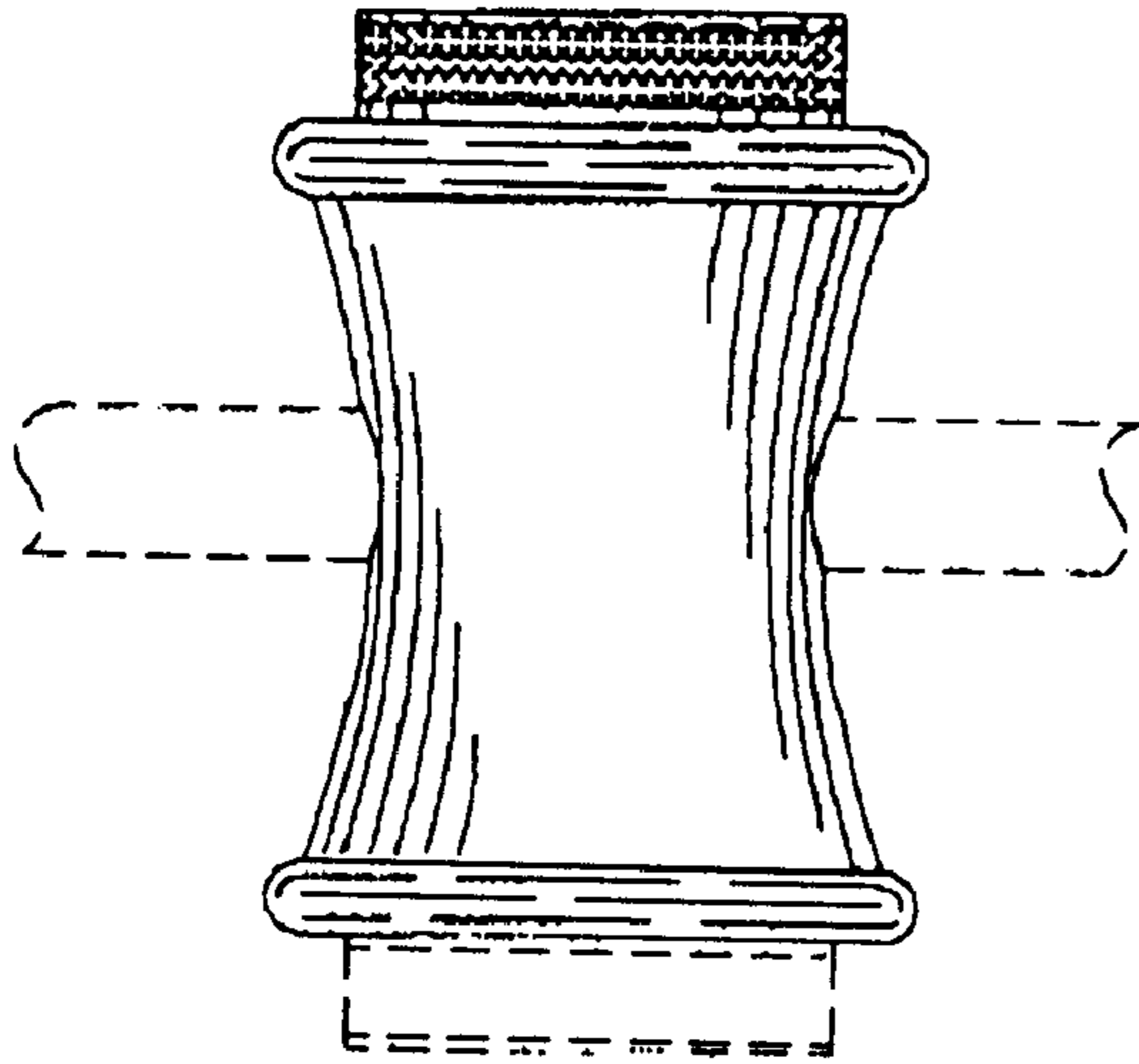


FIG. 5

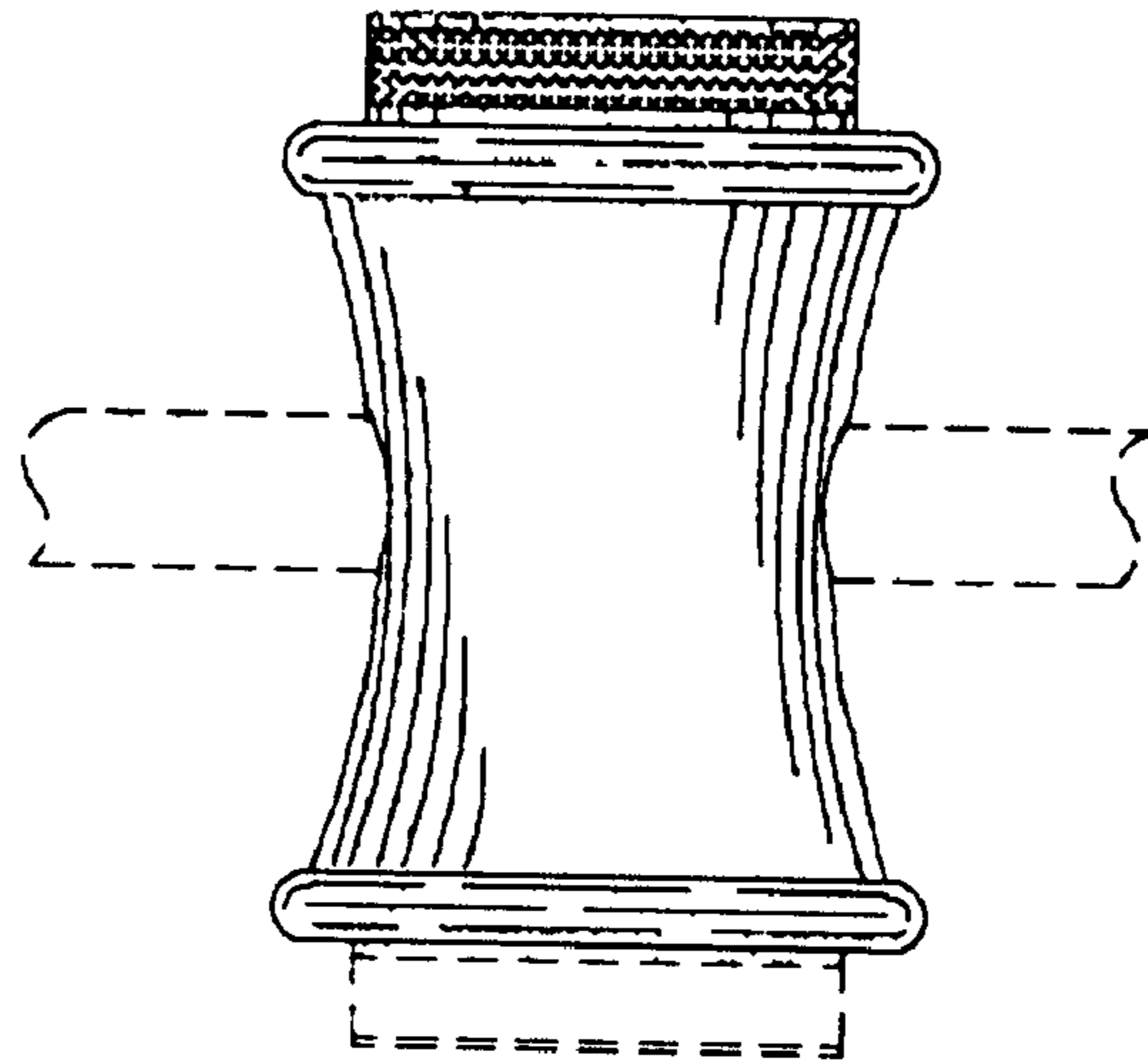


FIG. 6

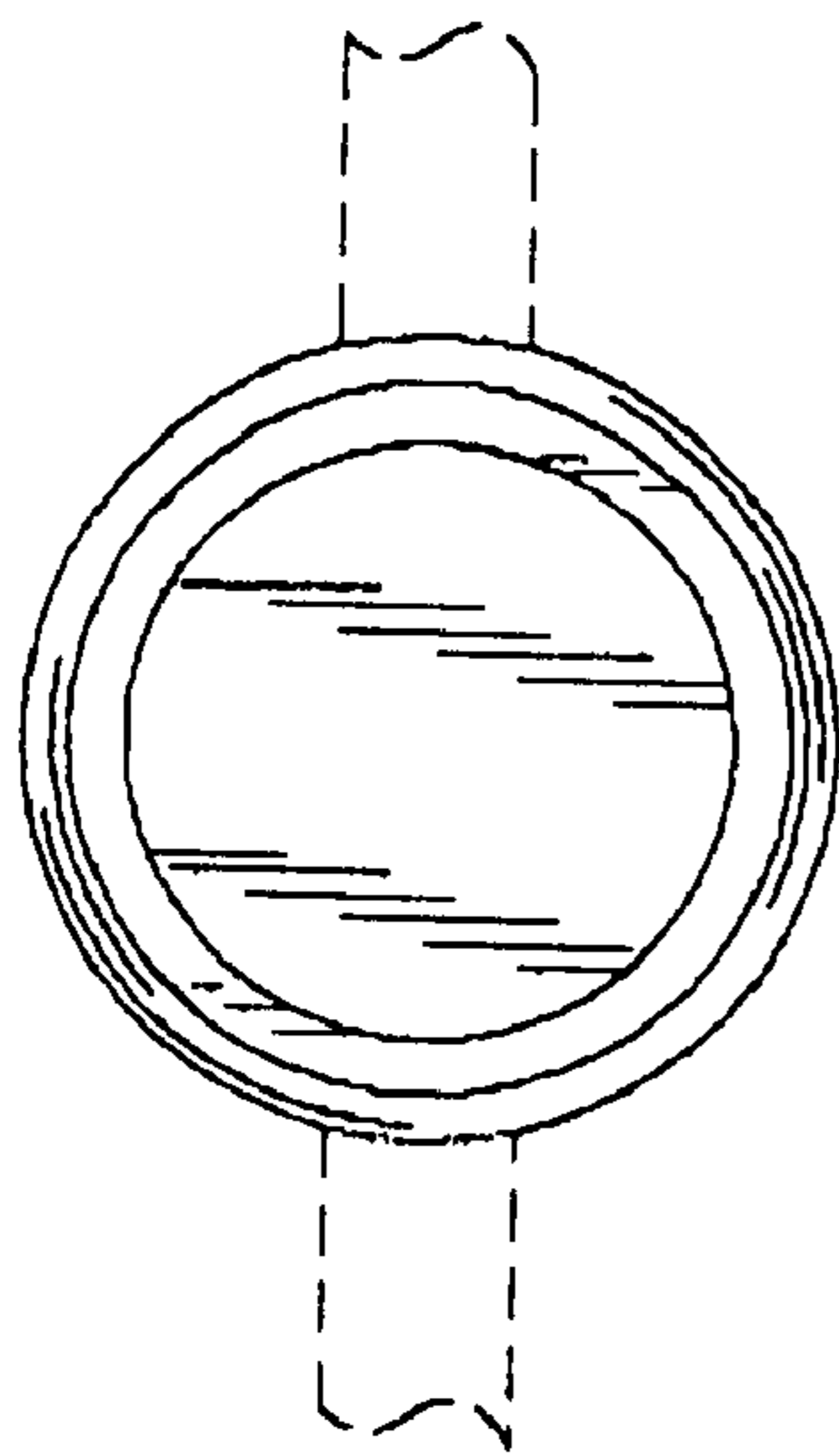


FIG. 7

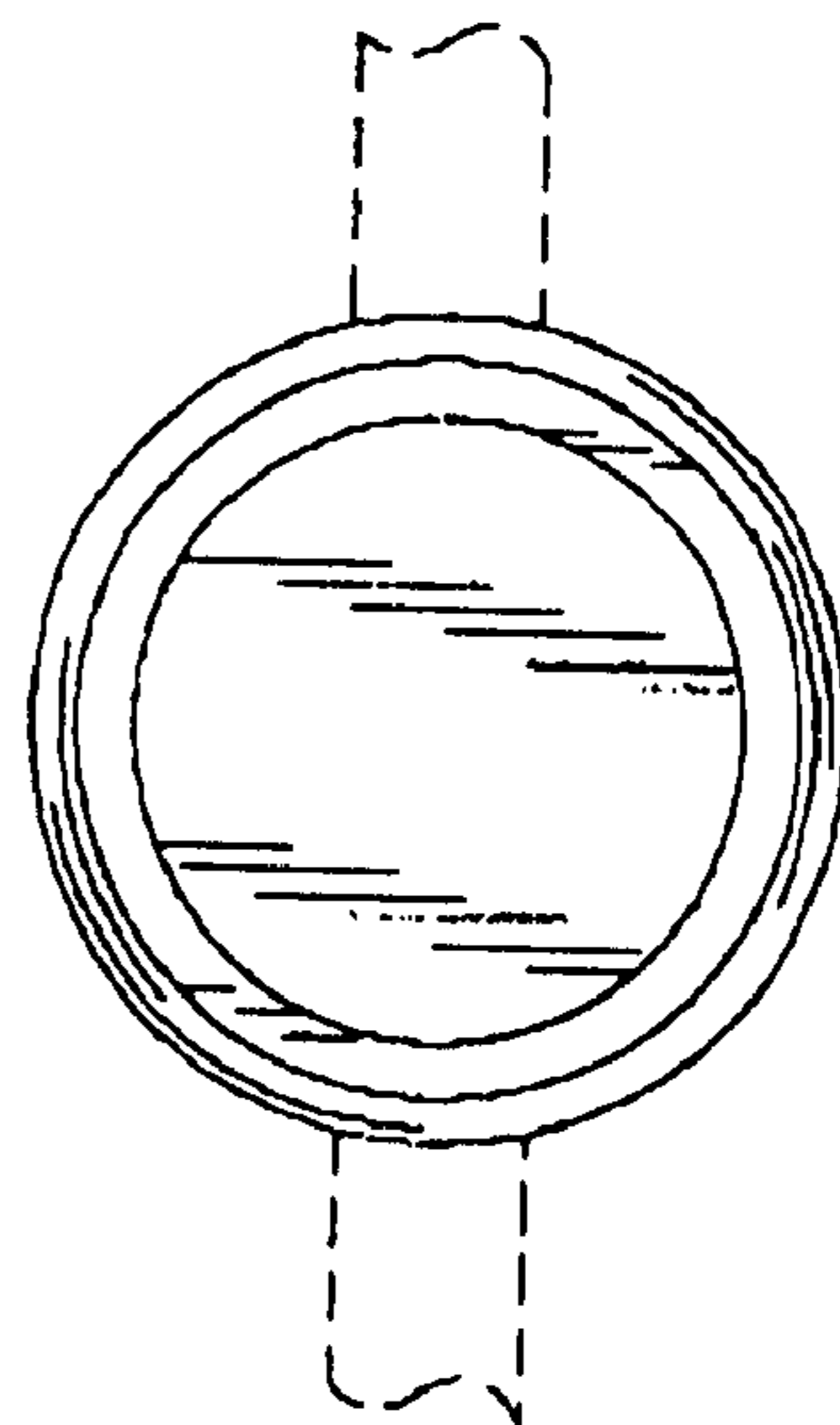


FIG. 8