

US00D532900S

(12) **United States Design Patent**
Hills

(10) **Patent No.:** **US D532,900 S**

(45) **Date of Patent:** **** Nov. 28, 2006**

- (54) **DECORATIVE FIREPLACE**
- (75) Inventor: **Douglas Ernest Hills**, Cloverdale (CA)
- (73) Assignee: **GPI Fireplace Products International Ltd.**, Delta (CA)
- (**) Term: **14 Years**
- (21) Appl. No.: **29/246,062**
- (22) Filed: **Jan. 18, 2006**

- D301,736 S 6/1989 Heger
- D301,924 S 6/1989 Craver
- D311,574 S 10/1990 Syme et al.
- D320,849 S * 10/1991 Ehmke D23/405
- D344,329 S 2/1994 Patel
- D345,012 S 3/1994 Patel
- D362,301 S * 9/1995 Kahonen D23/405
- D464,421 S 10/2002 Caldwell
- D464,422 S 10/2002 Caldwell
- D465,023 S 10/2002 Caldwell
- D489,807 S 5/2004 Rumens
- D499,681 S 12/2004 Boyer
- D507,346 S 7/2005 Rumens

Related U.S. Application Data

- (63) Continuation of application No. 29/209,503, filed on Jul. 16, 2004, now Pat. No. Des. 526,403.
- (51) **LOC (8) Cl.** **23-04**
- (52) **U.S. Cl.** **D23/405**
- (58) **Field of Classification Search** None
See application file for complete search history.

* cited by examiner

Primary Examiner—Sandra S. Snapp
(74) *Attorney, Agent, or Firm*—Snell & Wilmer L.L.P.

(57) **CLAIM**

The ornamental design for the decorative fireplace, as shown and described.

DESCRIPTION

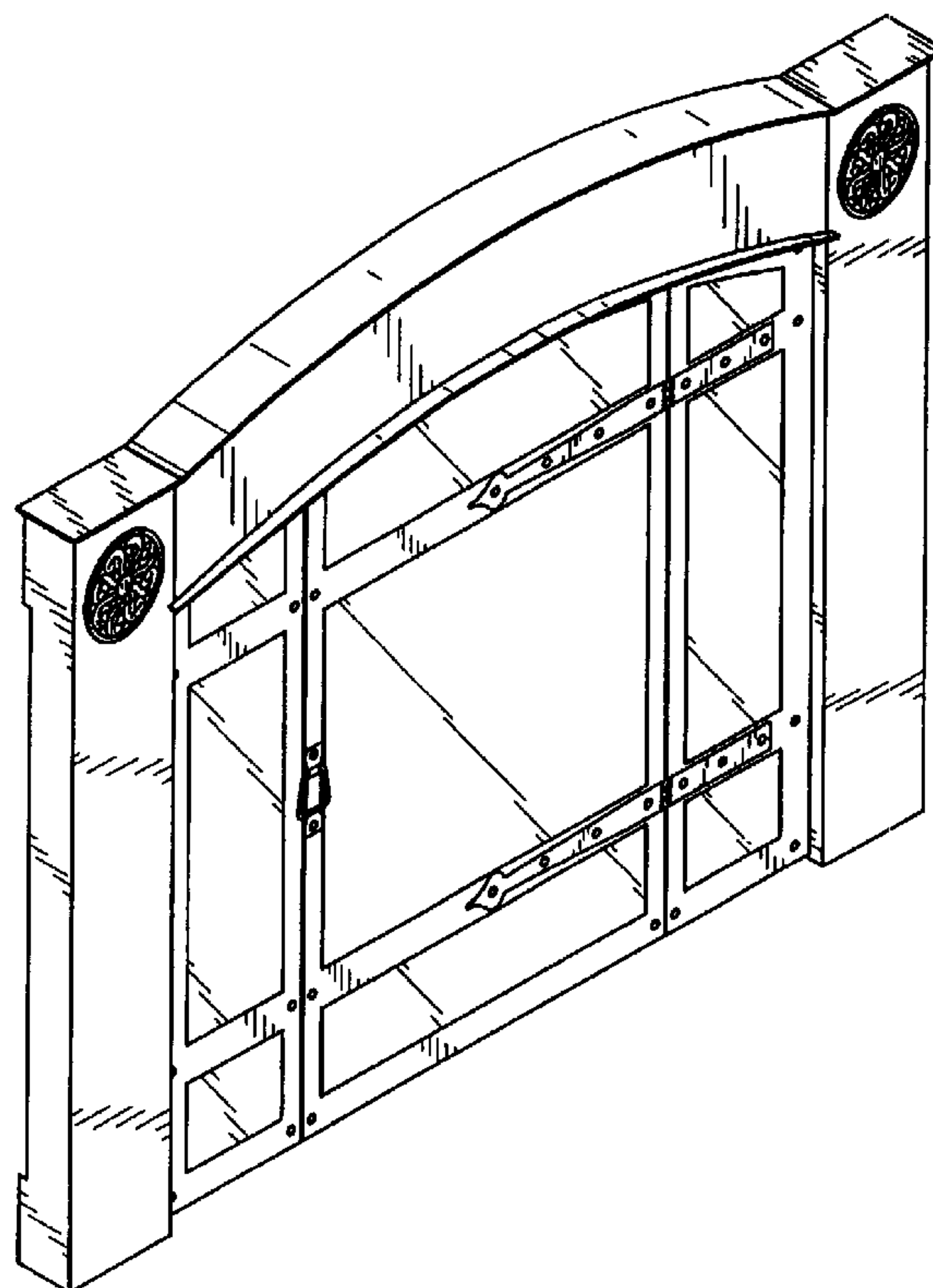
FIG. 1 is a perspective view depicting a new design for a decorative fireplace, with no claim being made to the bottom or rear of the fireplace;
FIG. 2 is a front elevation view of the decorative fireplace;
FIG. 3 is a side elevation view of the decorative fireplace;
and,
FIG. 4 is a top plan view of the decorative fireplace.

(56) **References Cited**

U.S. PATENT DOCUMENTS

- D77,935 S 3/1929 Carlson
- D255,830 S 7/1980 Hansen
- D264,497 S 5/1982 Morande, Jr.
- D267,112 S 11/1982 Connelly
- D281,716 S * 12/1985 Aseltine D23/405
- D281,901 S 12/1985 Demrick et al.
- D297,099 S 8/1988 Poilane

1 Claim, 2 Drawing Sheets



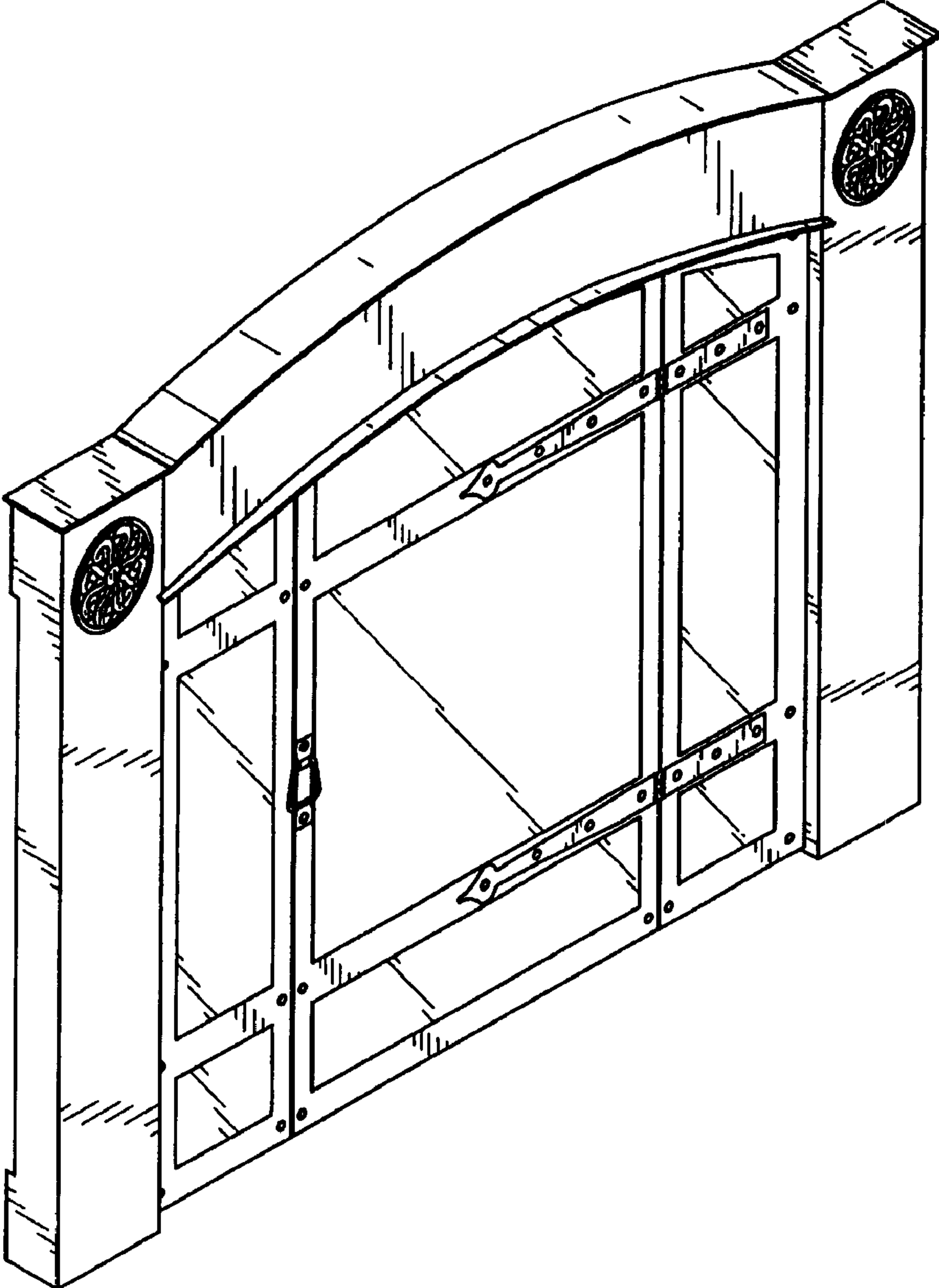


FIG.1



FIG.4

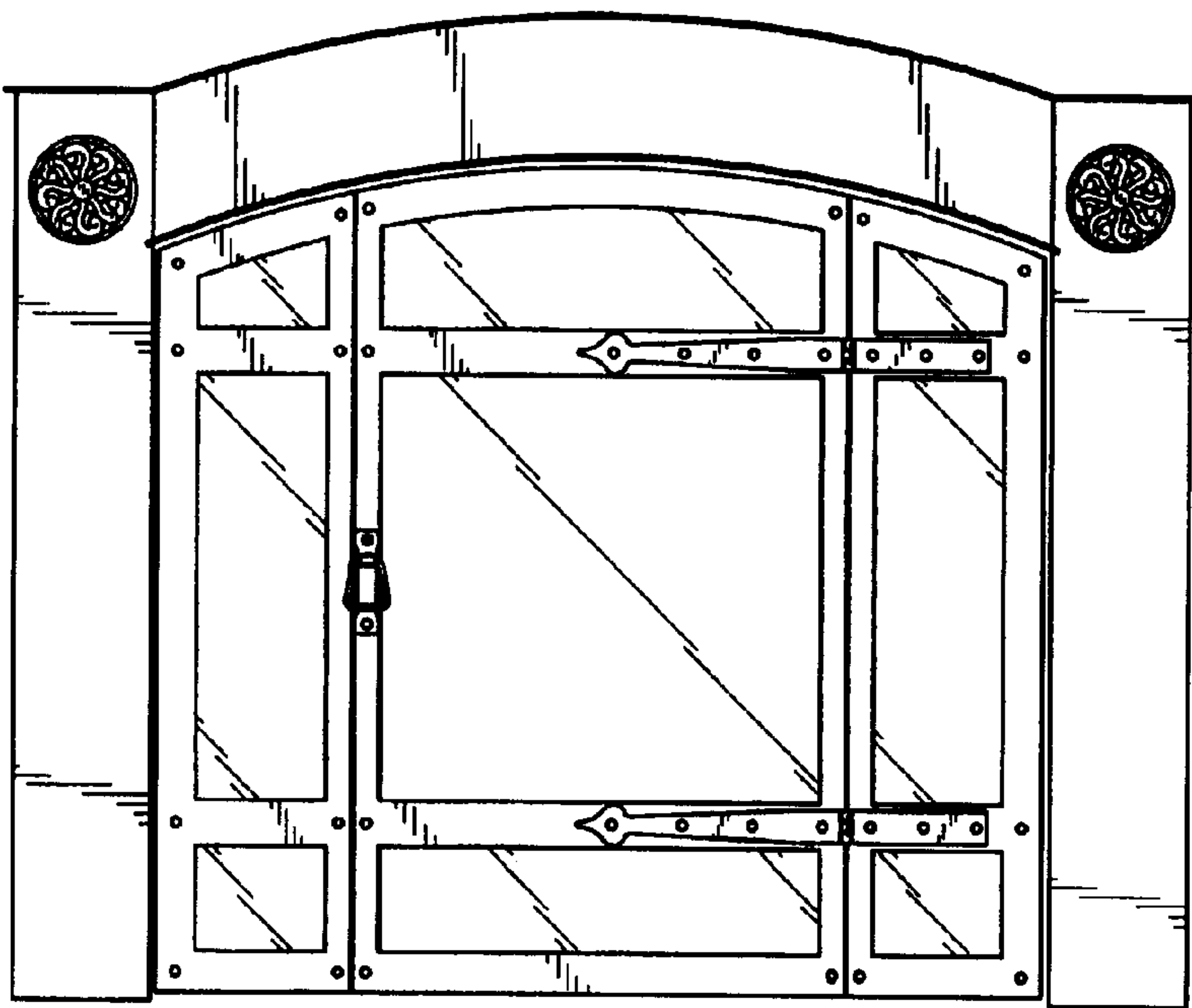


FIG.2



FIG.3