



US00D532899S

(12) **United States Design Patent**  
**Hills**

(10) **Patent No.:** **US D532,899 S**

(45) **Date of Patent:** **\*\* Nov. 28, 2006**

- (54) **DECORATIVE FIREPLACE**
- (75) Inventor: **Douglas Ernest Hills**, Cloverdale (CA)
- (73) Assignee: **FPI Fireplace Products International Delta** (CA)
- (\*\*) Term: **14 Years**
- (21) Appl. No.: **29/246,063**
- (22) Filed: **Jan. 18, 2006**

|                |         |                |         |
|----------------|---------|----------------|---------|
| D301,924 S     | 6/1989  | Craver         |         |
| D311,574 S     | 10/1990 | Syme et al.    |         |
| D344,329 S     | 2/1994  | Patel          |         |
| D345,012 S     | 3/1994  | Patel          |         |
| 5,794,610 A *  | 8/1998  | Facchina       | 126/512 |
| 5,826,357 A *  | 10/1998 | Hechler        | 40/428  |
| 6,439,226 B1 * | 8/2002  | Johnson et al. | 126/547 |
| D464,421 S     | 10/2002 | Caldwell       |         |
| D464,422 S     | 10/2002 | Caldwell       |         |
| D465,023 S     | 10/2002 | Caldwell       |         |
| D489,807 S     | 5/2004  | Rumens         |         |
| D499,178 S *   | 11/2004 | Rumens         | D23/404 |
| D499,681 S     | 12/2004 | Boyer          |         |
| D506,250 S *   | 6/2005  | Rumens         | D23/404 |
| D506,824 S *   | 6/2005  | Rumens         | D23/404 |
| D507,049 S *   | 7/2005  | Rumens         | D23/404 |
| D507,345 S *   | 7/2005  | Rumens         | D23/404 |
| D507,346 S *   | 7/2005  | Rumens         | D23/404 |
| D509,581 S *   | 9/2005  | Rumens         | D23/404 |

**Related U.S. Application Data**

- (63) Continuation of application No. 29/209,503, filed on Jul. 16, 2004.
- (51) **LOC (8) Cl.** ..... **23-03**
- (52) **U.S. Cl.** ..... **D23/404**
- (58) **Field of Classification Search** ..... D23/403-406, D23/409-410, 415-419, 499, 396-402, 343-347, D23/350; D25/55, 59, 60; D7/332-335, 339-340, D7/347-349, 653; D8/DIG. 4; 126/500, 540, 126/543-544, 547; 52/36.3; 16/DIG. 11; 294/14

See application file for complete search history.

\* cited by examiner

*Primary Examiner*—Sandra S. Snapp  
(74) *Attorney, Agent, or Firm*—Snell & Wilmer L.L.P.

(57) **CLAIM**

The ornamental design for the decorative fireplace, as shown and described.

(56) **References Cited**

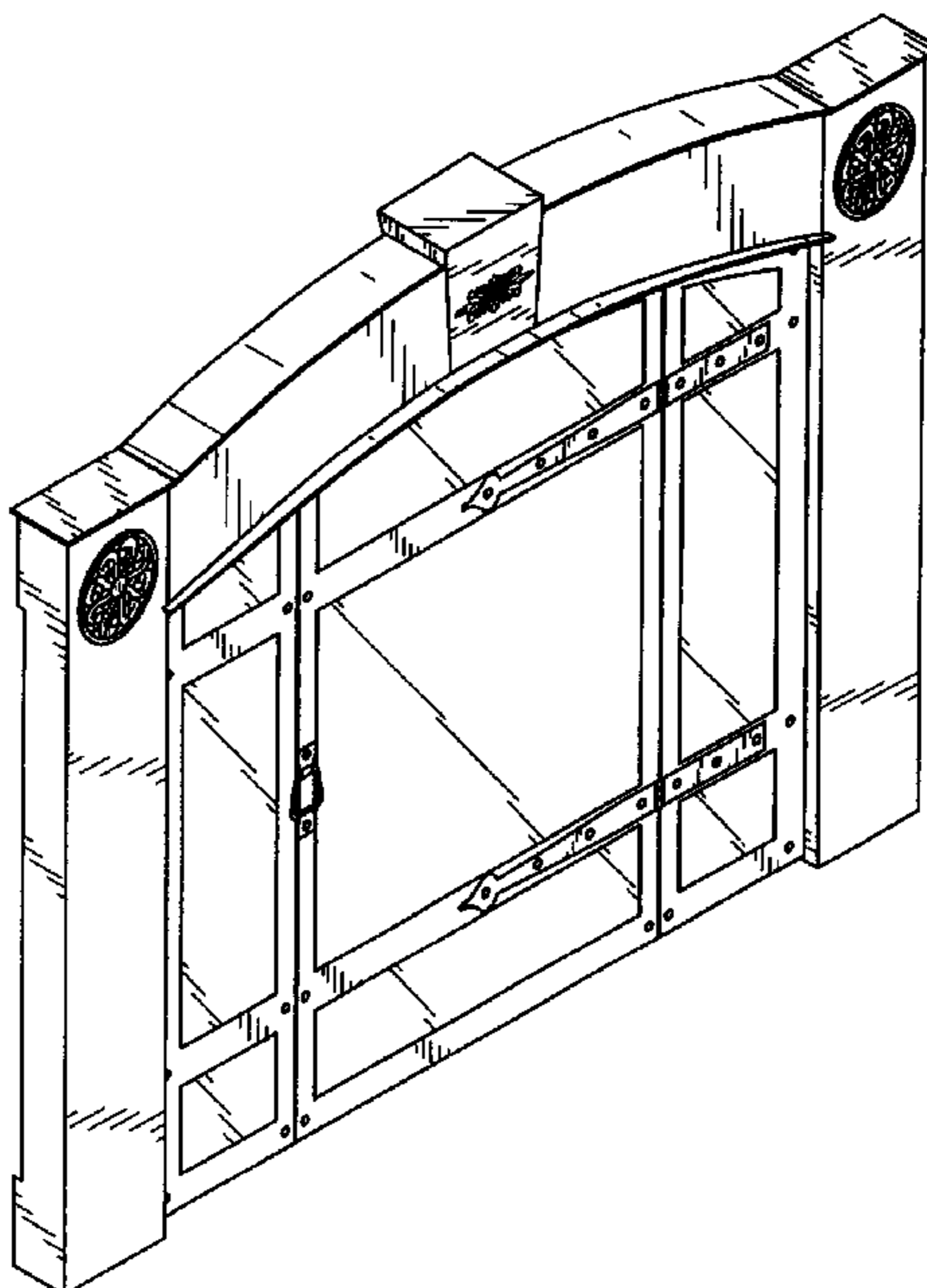
**U.S. PATENT DOCUMENTS**

|               |         |                |         |
|---------------|---------|----------------|---------|
| D77,935 S     | 3/1929  | Carlson        |         |
| D255,830 S    | 7/1980  | Hansen         |         |
| D264,497 S    | 5/1982  | Morande, Jr.   |         |
| D267,112 S    | 11/1982 | Connelly       |         |
| D269,036 S *  | 5/1983  | Bortz          | D23/386 |
| 4,465,055 A * | 8/1984  | Bortz          | 126/502 |
| D281,901 S    | 12/1985 | Demrick et al. |         |
| D297,099 S    | 8/1988  | Poilane        |         |
| D301,736 S    | 6/1989  | Heger          |         |

**DESCRIPTION**

FIG. 1 is a perspective view depicting a new design for a decorative fireplace, with no claim being made to the bottom or rear of the fireplace;  
FIG. 2 is a front elevation view of the decorative fireplace;  
FIG. 3 is a side elevation view of the decorative fireplace;  
and,  
FIG. 4 is a top plan view of the decorative fireplace.

**1 Claim, 2 Drawing Sheets**



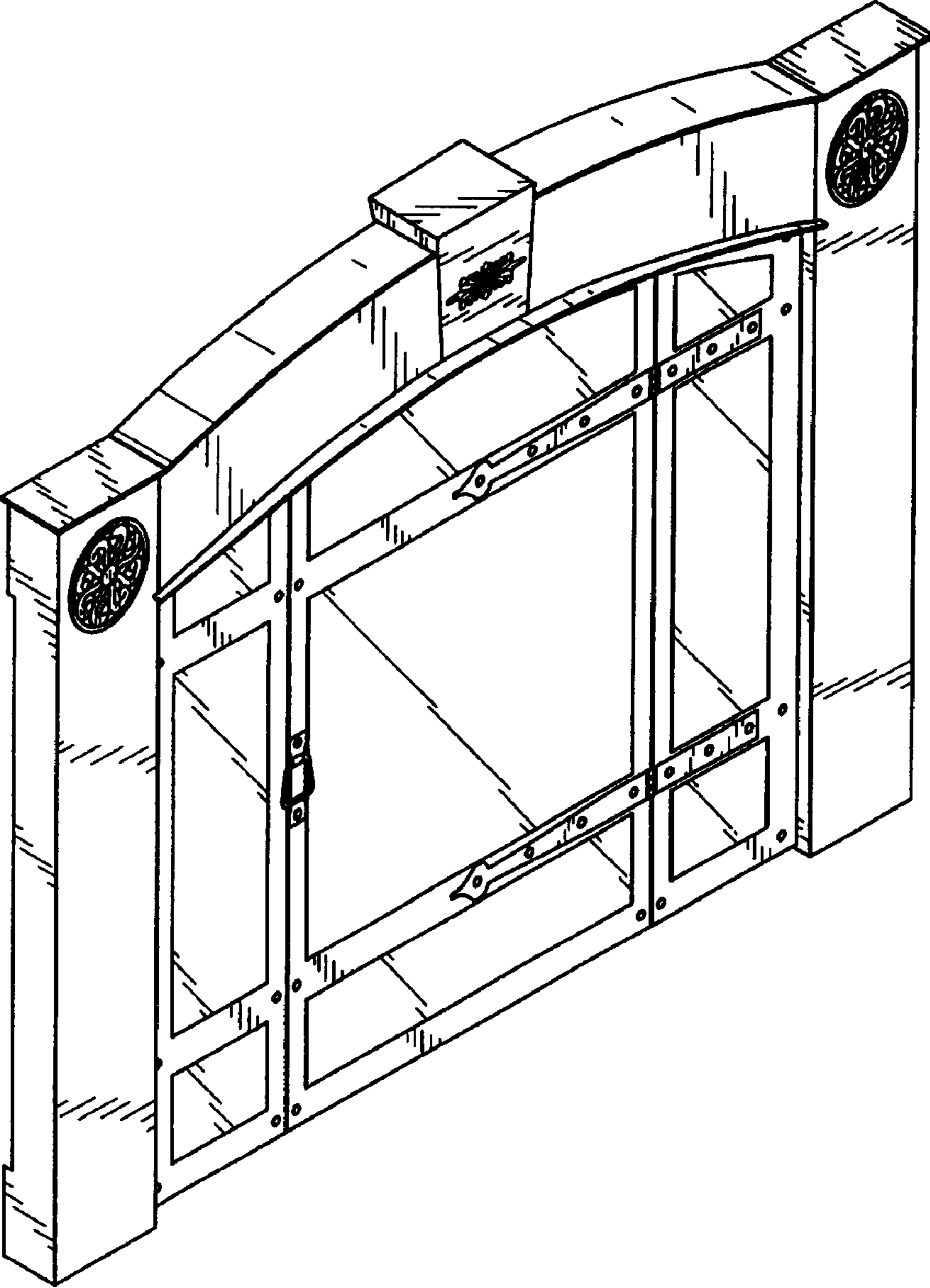


FIG.1

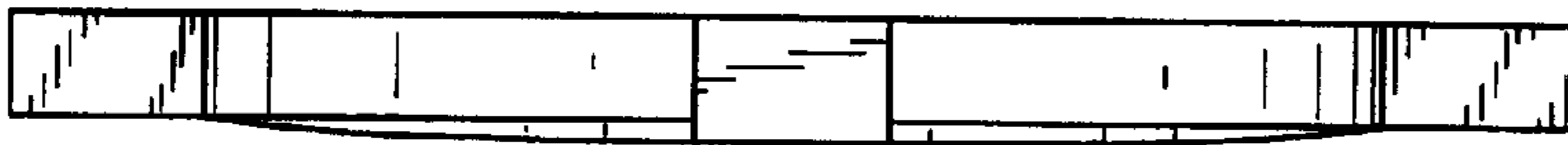


FIG.4

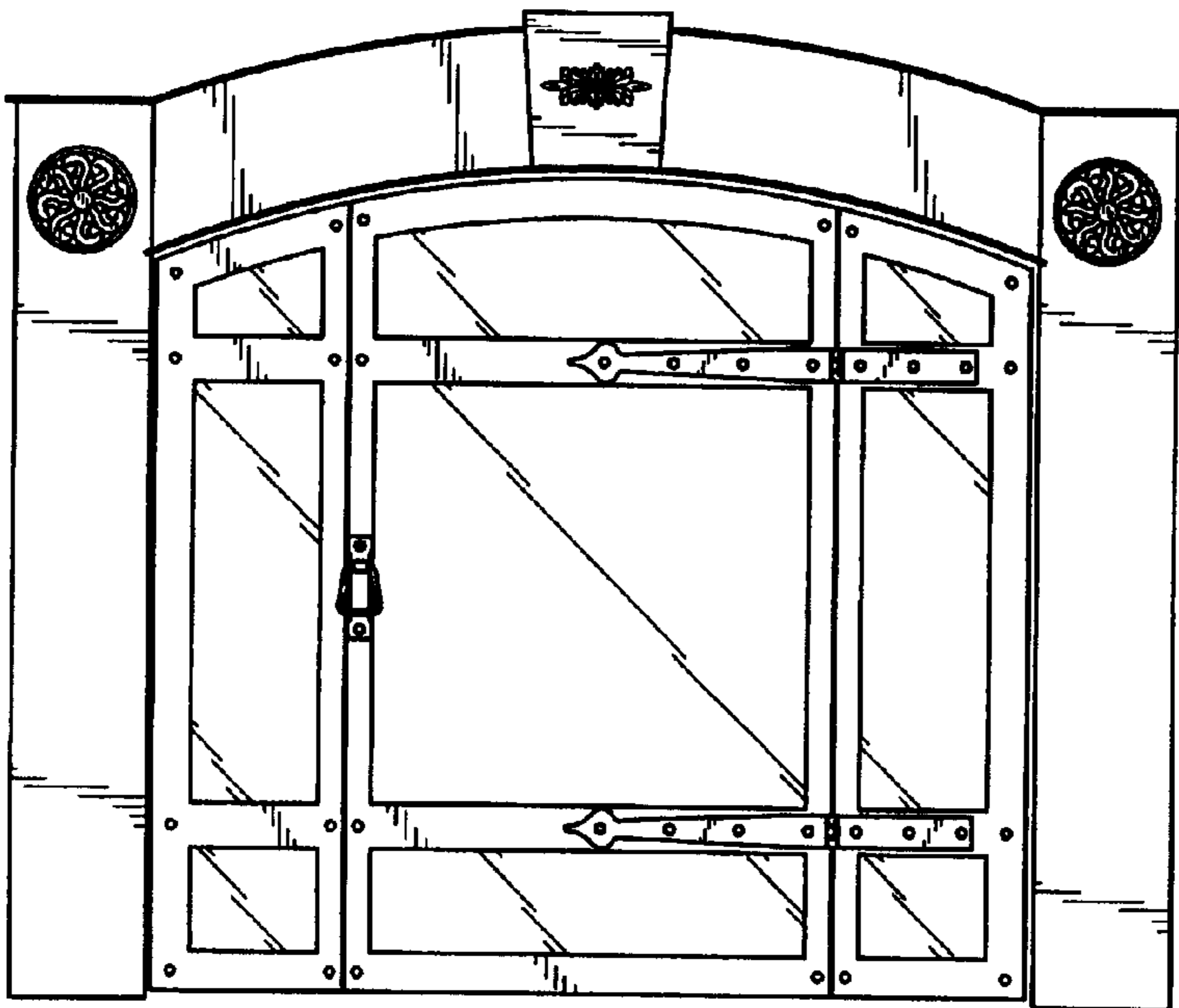


FIG.2

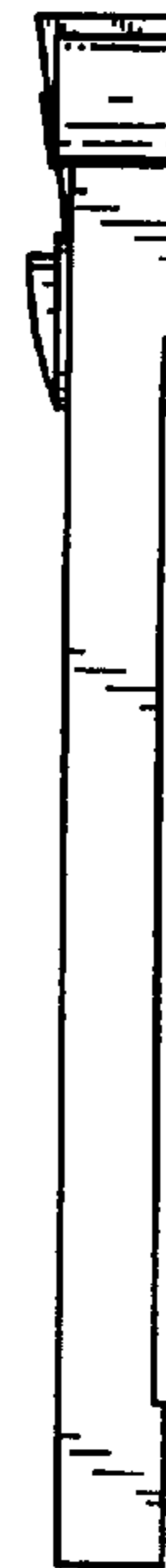


FIG.3