

US00D532898S

(12) **United States Design Patent**
Hills

(10) **Patent No.:** **US D532,898 S**

(45) **Date of Patent:** **** Nov. 28, 2006**

(54) **DECORATIVE FIREPLACE**

(75) **Inventor:** **Douglas Ernest Hills**, Cloverdale (CA)

(73) **Assignee:** **FPI Fireplace Products International Ltd.**, Delta (CA)

(**) **Term:** **14 Years**

(21) **Appl. No.:** **29/246,057**

(22) **Filed:** **Jan. 18, 2006**

Related U.S. Application Data

(63) Continuation of application No. 29/209,503, filed on Jul. 16, 2004.

(51) **LOC (8) Cl.** **23-03**

(52) **U.S. Cl.** **D23/404**

(58) **Field of Classification Search** D23/403-406,
D23/409-410, 415-419, 499, 396-402, 343-347,
D23/350; D25/55, 59, 60; D7/332-335, 339-340,
D7/347-349, 653; D8/DIG. 4; 126/500, 540,
126/543-544, 547; 52/36.3; 16/DIG. 11;
294/14

See application file for complete search history.

(56) **References Cited**

U.S. PATENT DOCUMENTS

D77,935 S	3/1929	Carlson	
D255,830 S	7/1980	Hansen	
D264,497 S	5/1982	Morande, Jr.	
D267,112 S	11/1982	Connelly	
D269,036 S	* 5/1983	Bortz D23/386
4,465,055 A	* 8/1984	Bortz 126/502
D281,901 S	12/1985	Demrick et al.	
D297,099 S	8/1988	Poilane	
D301,736 S	6/1989	Heger	

D301,924 S	6/1989	Craver	
D311,574 S	10/1990	Syme et al.	
D344,329 S	2/1994	Patel	
D345,012 S	3/1994	Patel	
5,794,610 A	* 8/1998	Facchina 126/512
5,826,357 A	* 10/1998	Hechler 40/428
6,439,226 B1	* 8/2002	Johnson et al. 126/547
D464,421 S	10/2002	Caldwell	
D464,422 S	10/2002	Caldwell	
D465,023 S	10/2002	Caldwell	
D489,807 S	5/2004	Rumens	
D499,178 S	* 11/2004	Rumens D23/404
D499,681 S	12/2004	Boyer	
D506,250 S	* 6/2005	Rumens D23/404
D506,824 S	* 6/2005	Rumens D23/404
D507,049 S	* 7/2005	Rumens D23/404
D507,345 S	* 7/2005	Rumens D23/404
D507,346 S	* 7/2005	Rumens D23/404
D509,581 S	* 9/2005	Rumens D23/404

* cited by examiner

Primary Examiner—Sandra S. Snapp
(74) *Attorney, Agent, or Firm*—Snell & Wilmer L.L.P.

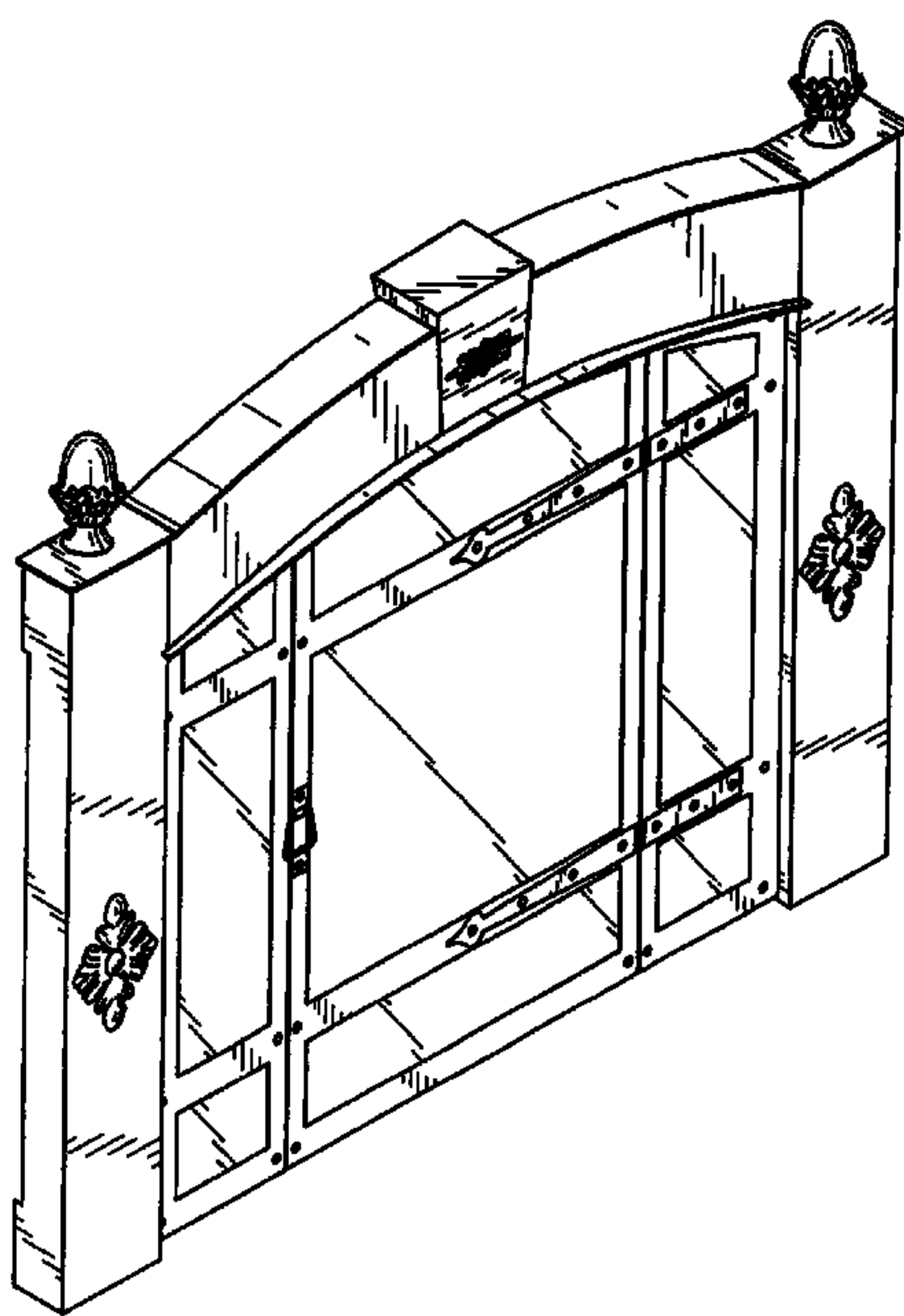
(57) **CLAIM**

The ornamental design for the decorative fireplace, as shown and described.

DESCRIPTION

FIG. 1 is a perspective view depicting a new design for a decorative fireplace, with no claim being made to the bottom or rear of the fireplace;
FIG. 2 is a front elevation view of the decorative fireplace;
FIG. 3 is a side elevation view of the decorative fireplace;
and,
FIG. 4 is a top plan view of the decorative fireplace.

1 Claim, 2 Drawing Sheets



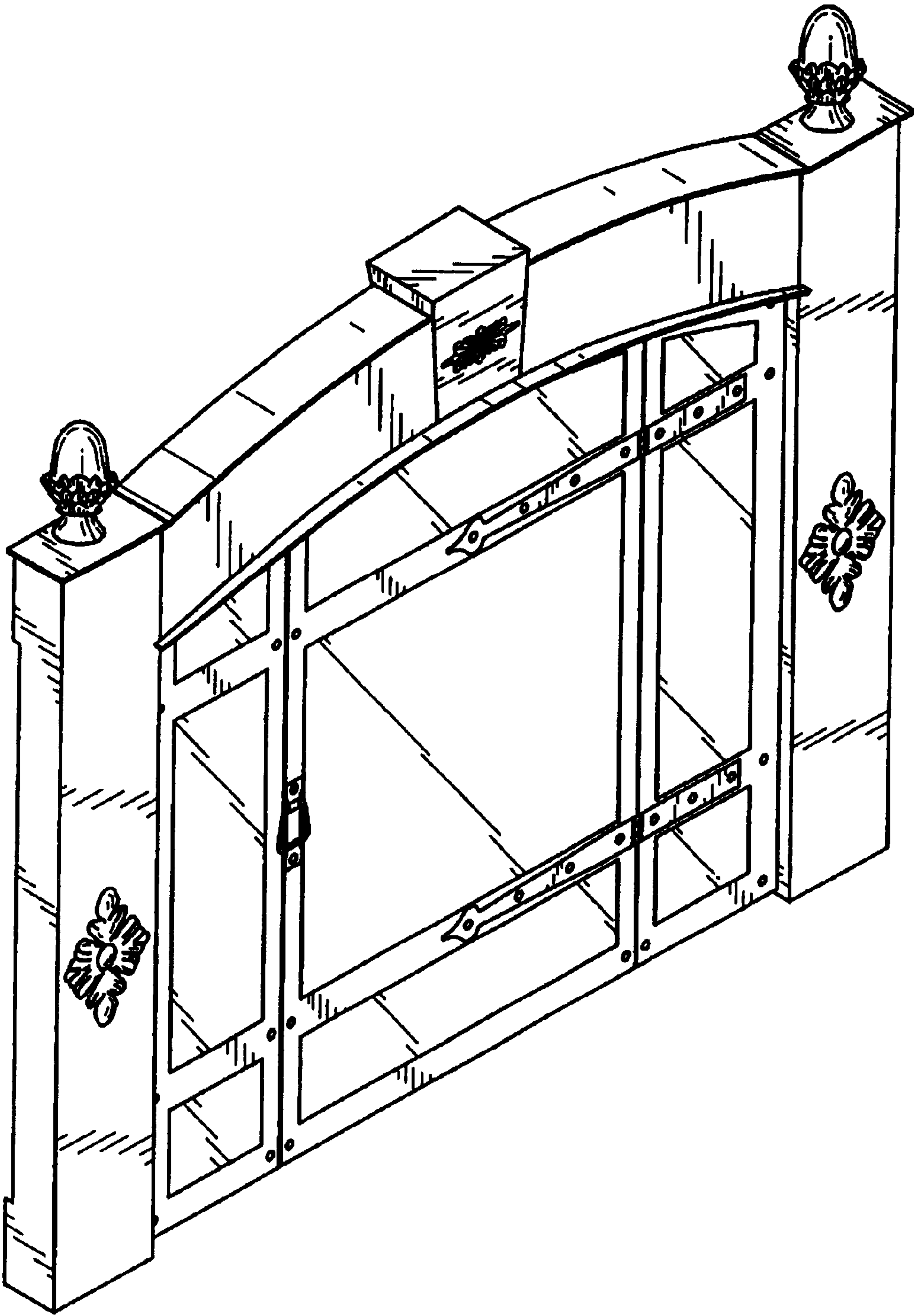


FIG.1

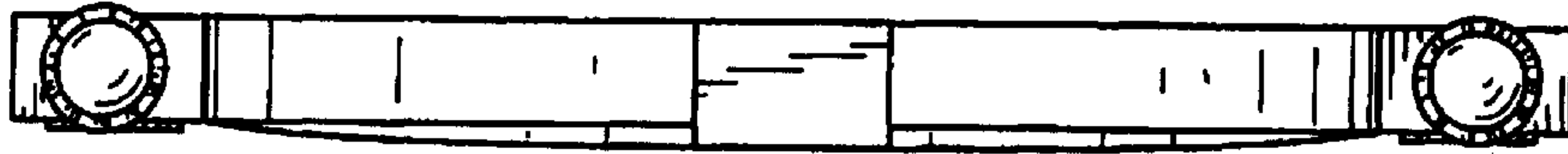


FIG.4

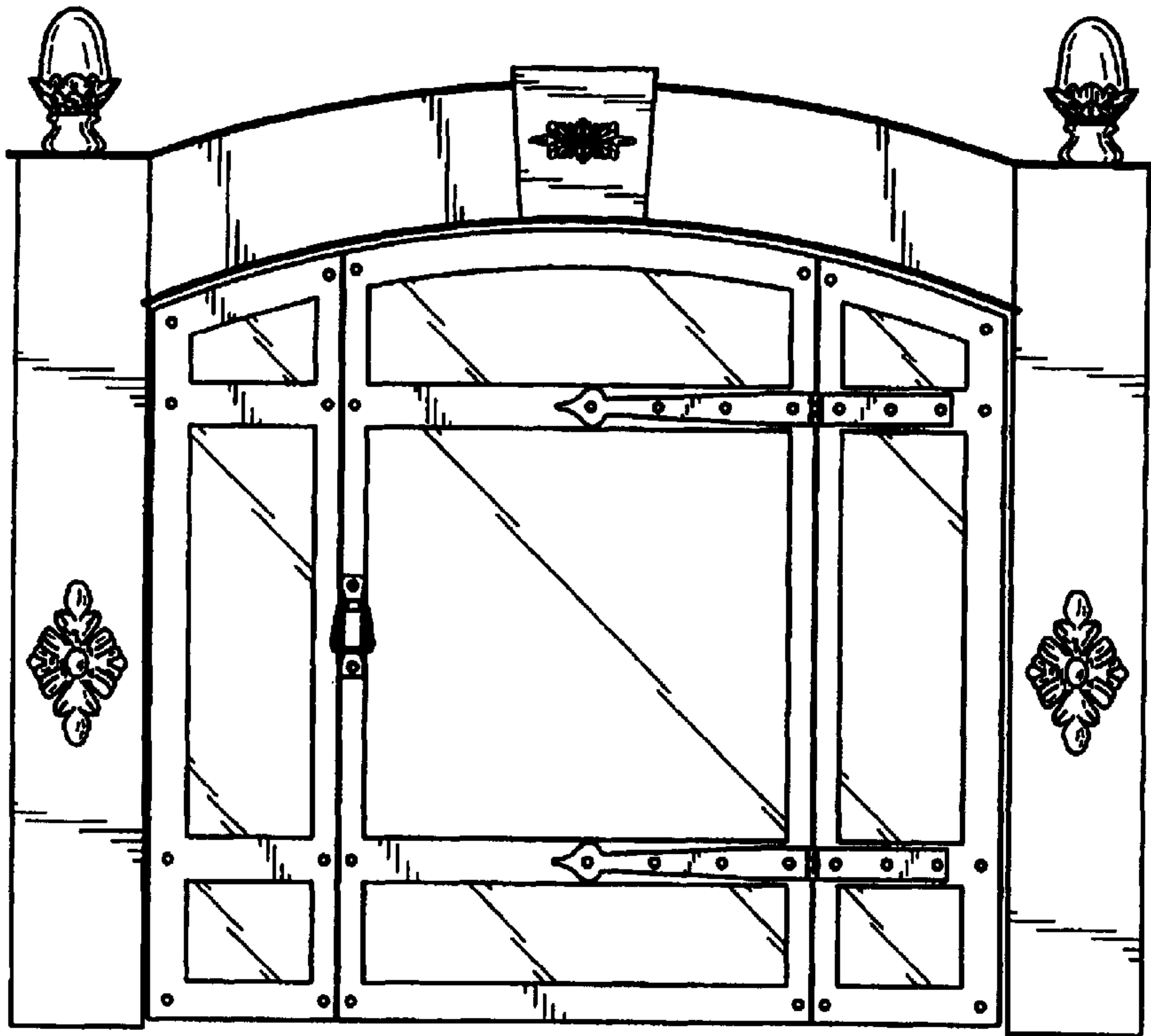


FIG.2

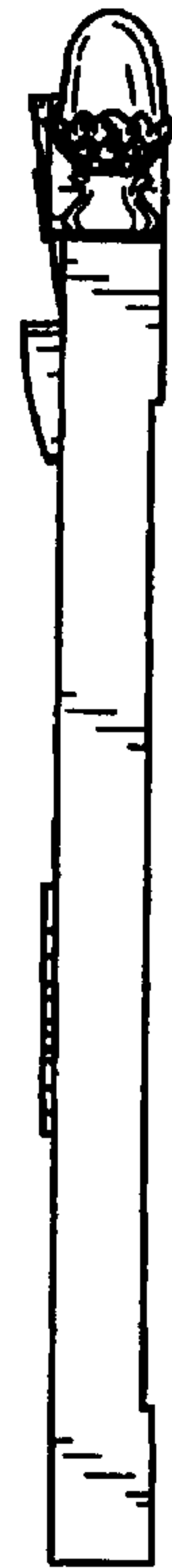


FIG.3