



US00D532897S

(12) **United States Design Patent**  
**Yoshida et al.**

(10) **Patent No.:** **US D532,897 S**

(45) **Date of Patent:** **\*\* Nov. 28, 2006**

(54) **COVER FOR A BLOWER**

(75) Inventors: **Kazuhiro Yoshida**, Togane (JP); **Shinji Ohwaku**, Togane (JP); **Junichi Miyamoto**, Togane (JP)

(73) Assignee: **Maruyama Mfg. Co., Inc.**, Tokyo (JP)

(\*\*) Term: **14 Years**

(21) Appl. No.: **29/236,159**

(22) Filed: **Aug. 12, 2005**

(30) **Foreign Application Priority Data**

Feb. 15, 2005 (JP) ..... D2005-003909

(51) **LOC (8) Cl.** ..... **23-04**

(52) **U.S. Cl.** ..... **D23/383**

(58) **Field of Classification Search** ..... D23/383;  
15/405, 330, 327.5

See application file for complete search history.

(56) **References Cited**

**U.S. PATENT DOCUMENTS**

D517,677 S \* 3/2006 Bartholmey ..... D23/383  
7,055,213 B1 \* 6/2006 Iida et al. .... 15/405

\* cited by examiner

*Primary Examiner*—Lisa Lichtenstein

(74) *Attorney, Agent, or Firm*—Leydig, Voit & Mayer, Ltd.

(57) **CLAIM**

The ornamental design for a cover for a blower, as shown and described.

**DESCRIPTION**

FIG. 1 is a front view of a cover for a blower of the present invention.

FIG. 2 is a rear view of the cover for a blower of FIG. 1.

FIG. 3 is a top plan view of the cover for a blower of FIG. 1.

FIG. 4 is a bottom view of the cover for a blower of FIG. 1.

FIG. 5 is a right side view of the cover for a blower of FIG. 1.

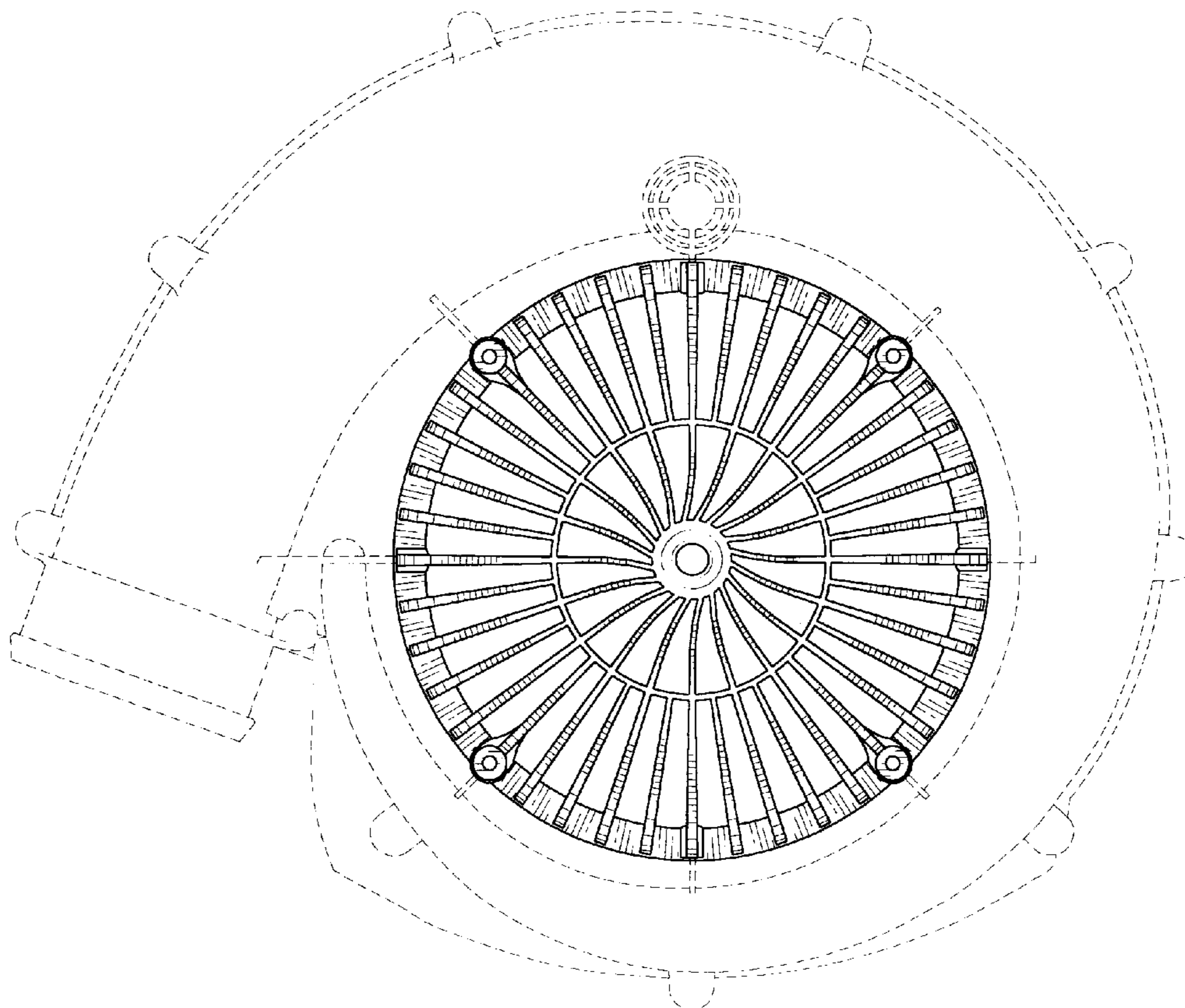
FIG. 6 is a left side view of the cover for a blower of FIG. 1.

FIG. 7 is a perspective view of the cover for a blower of FIG. 1; and,

FIG. 8 is a reference view of the cover for a blower of FIG. 1 in use.

The broken line showing of the environment is for illustrative purpose only and forms no part of the claimed design.

**1 Claim, 8 Drawing Sheets**



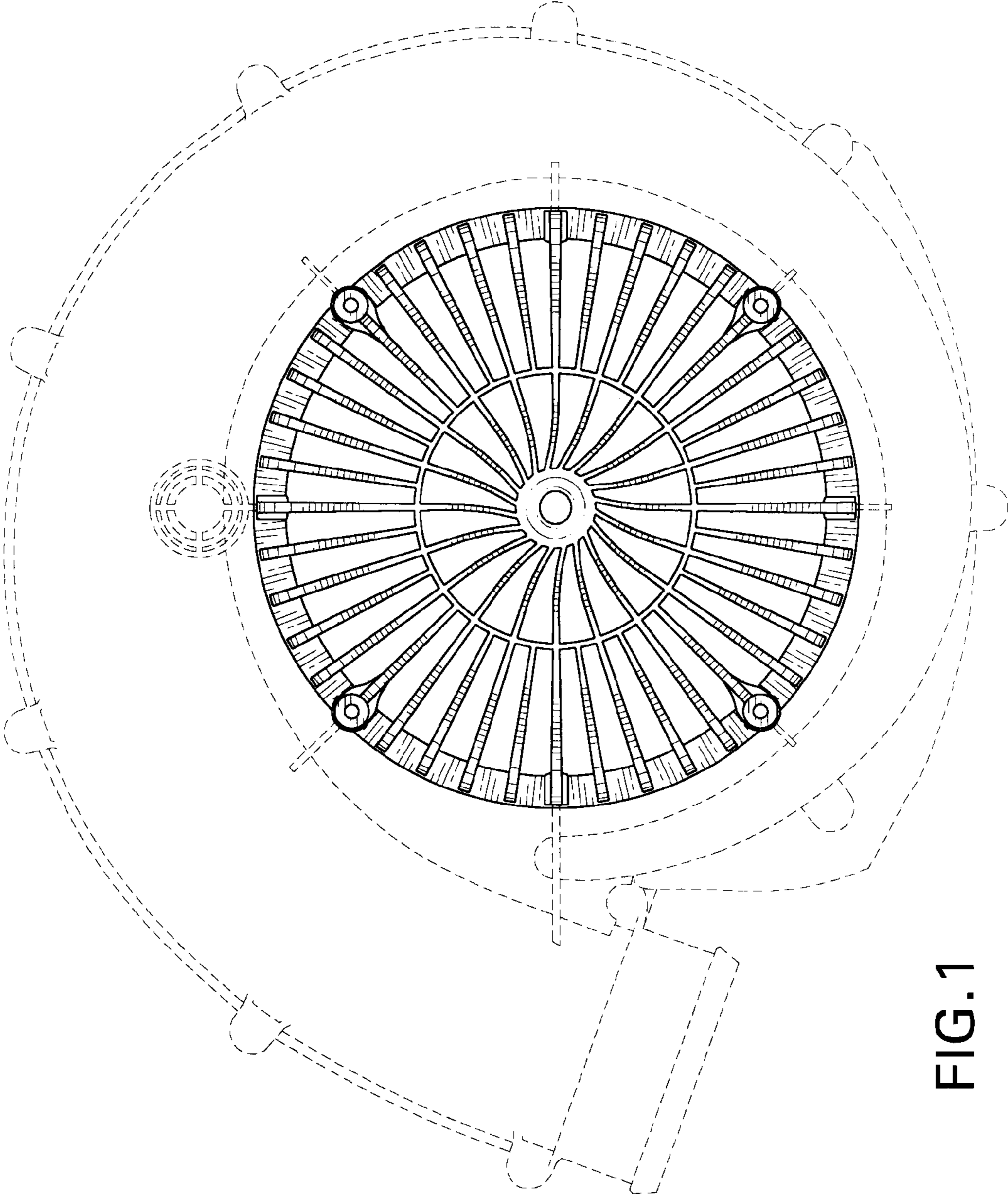


FIG. 1

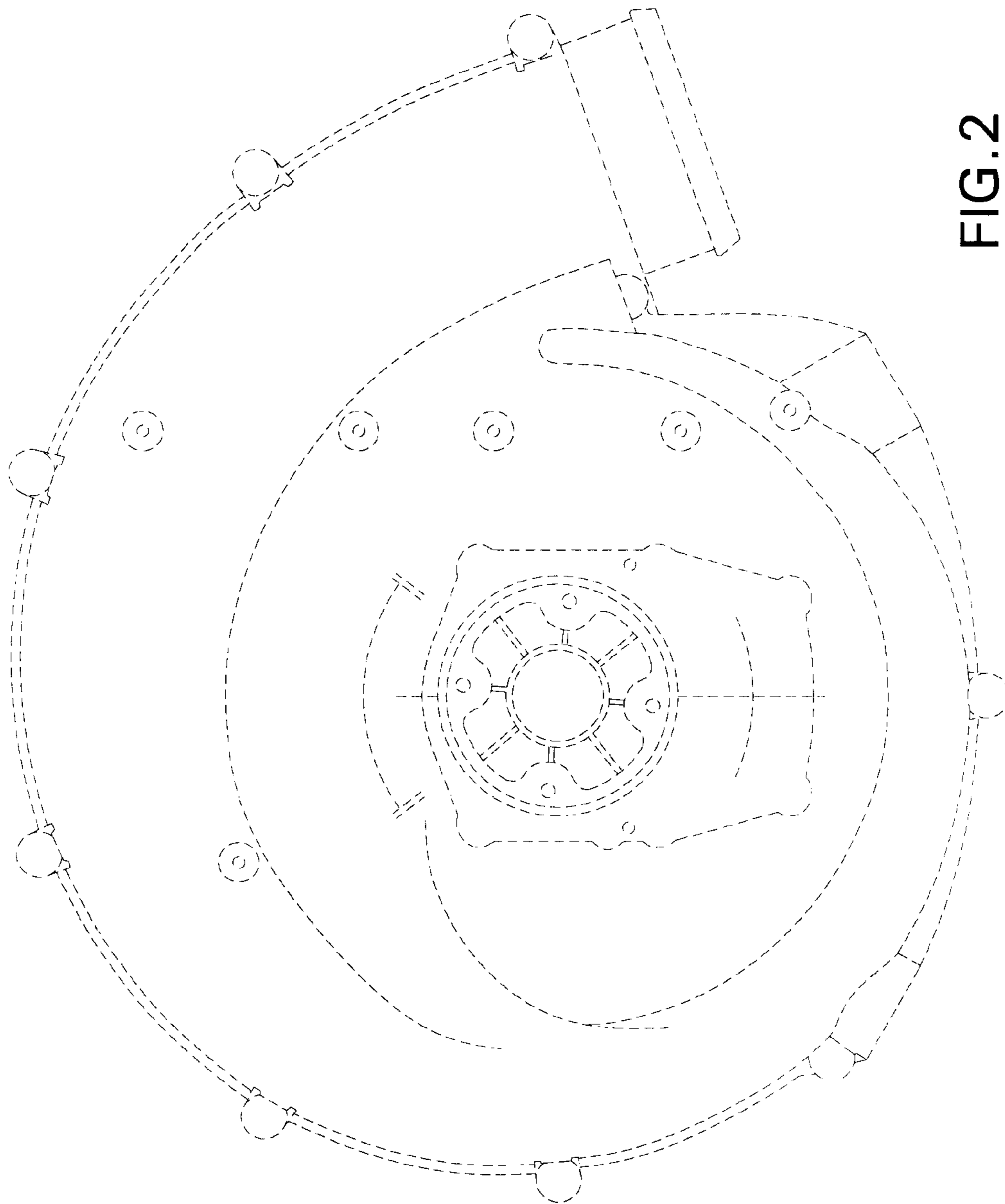


FIG.2

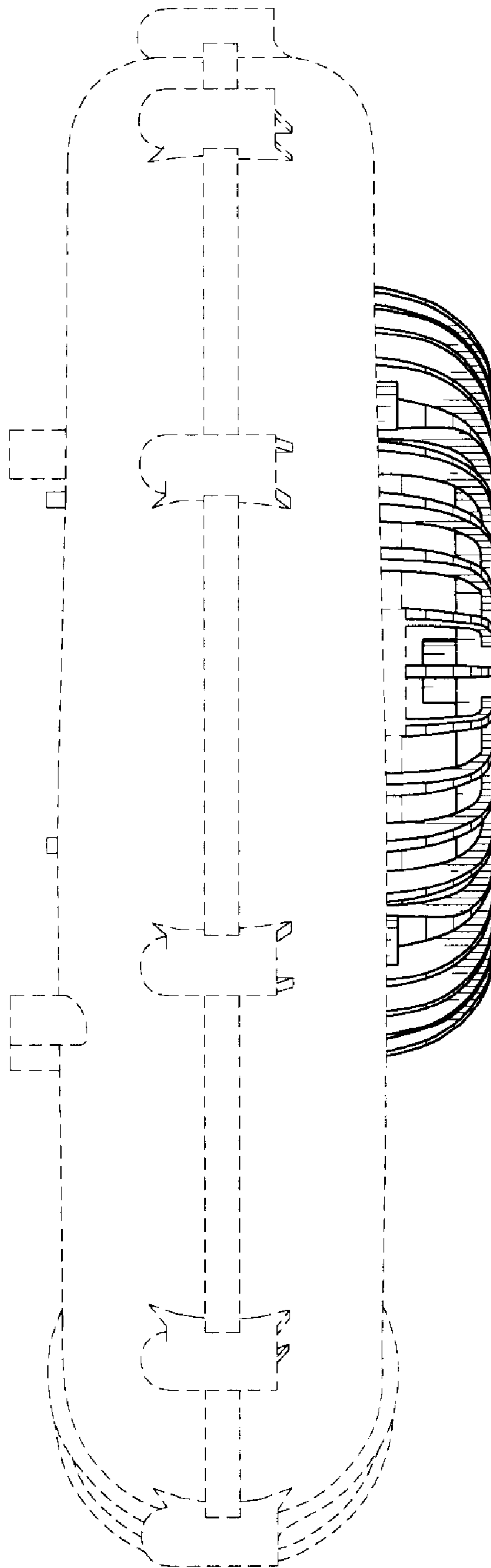


FIG. 3

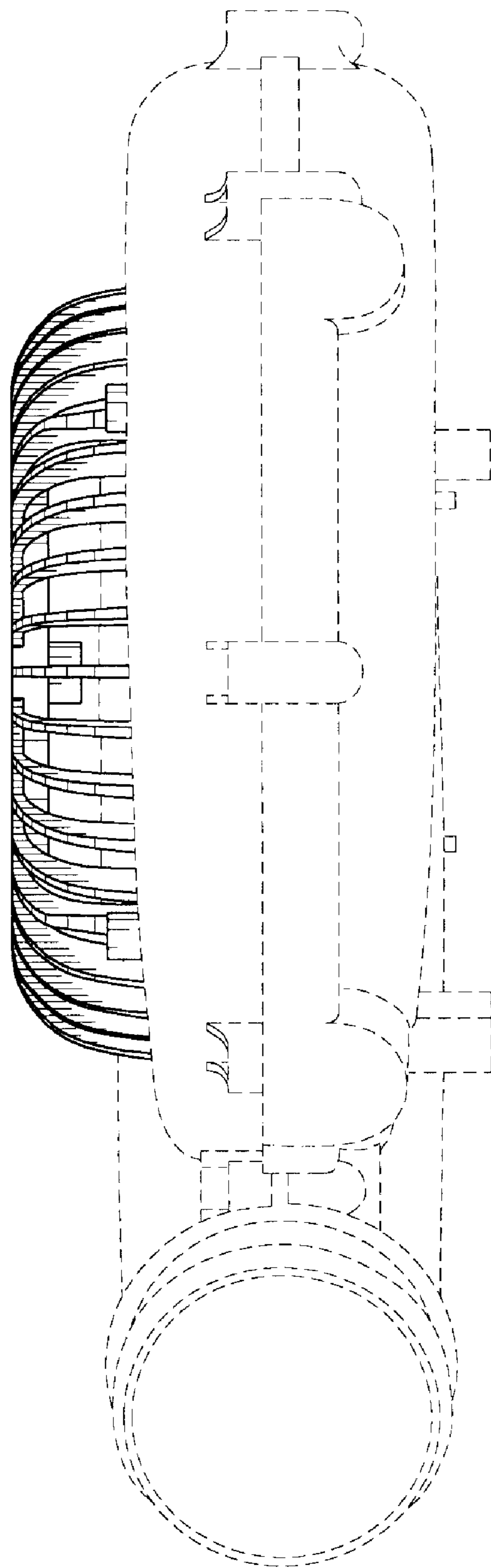


FIG. 4



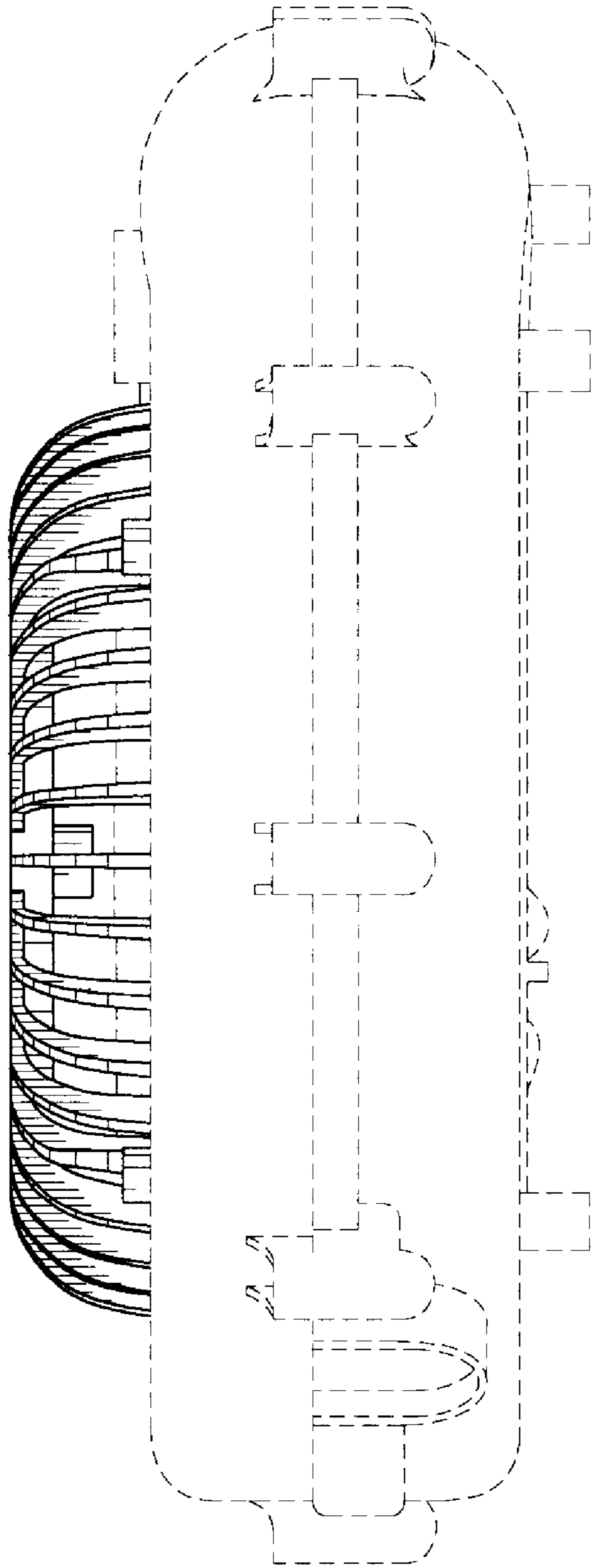


FIG. 5

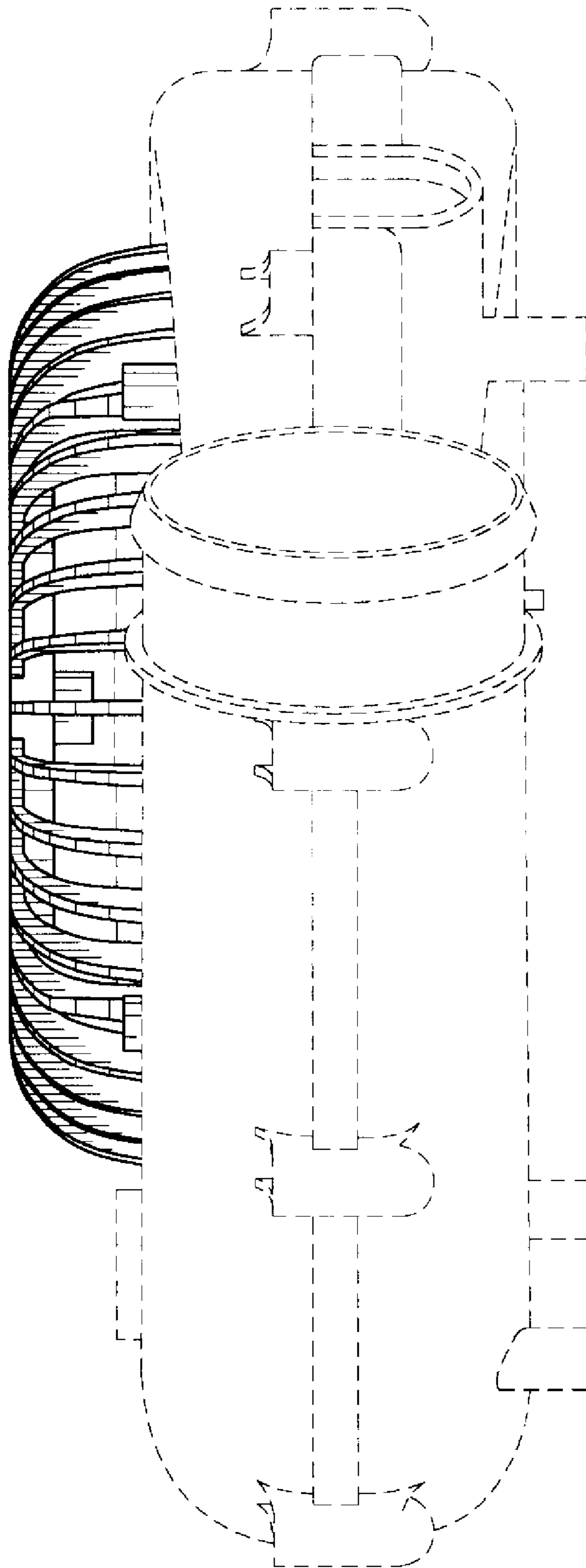


FIG. 6

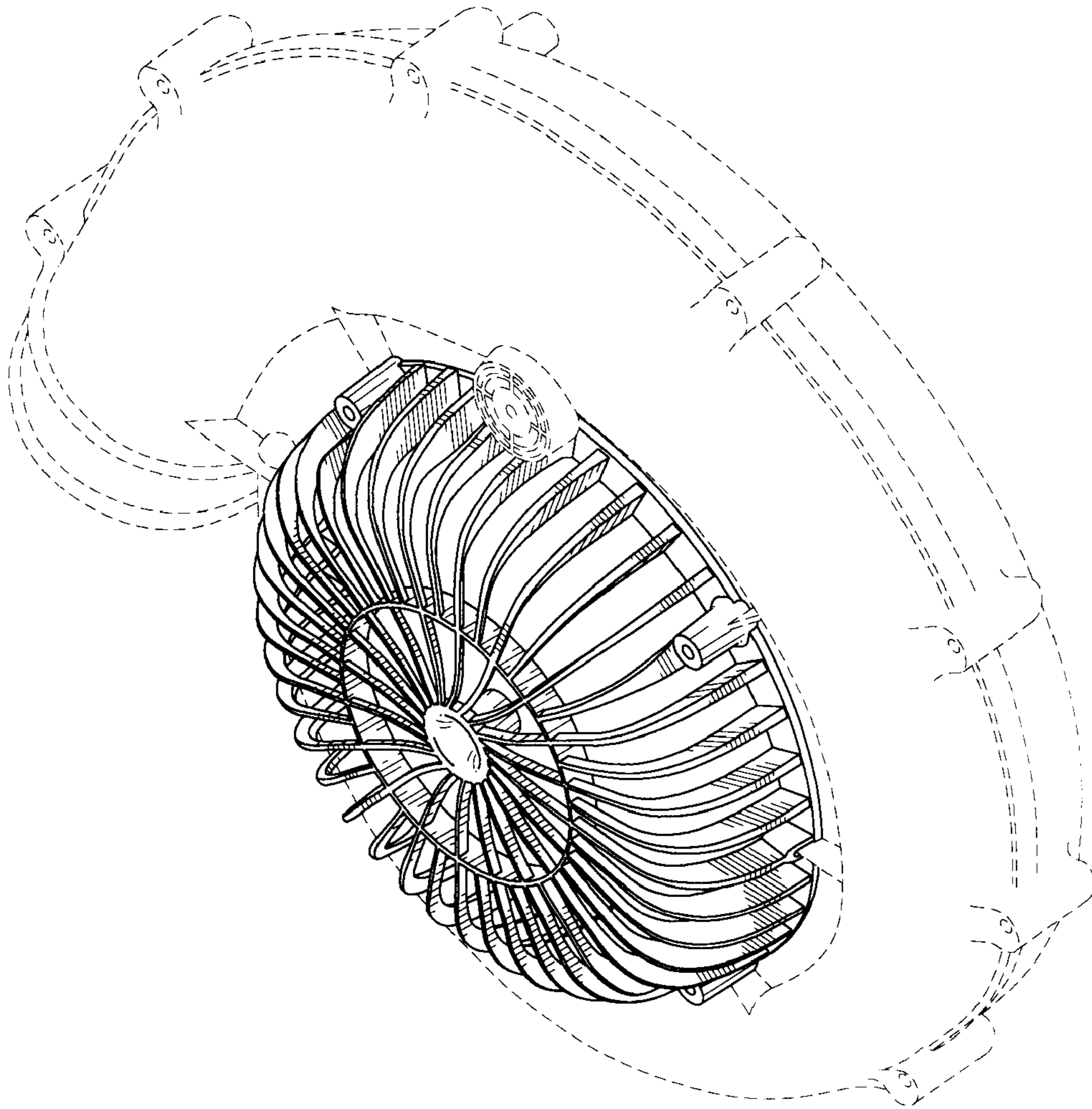


FIG. 7



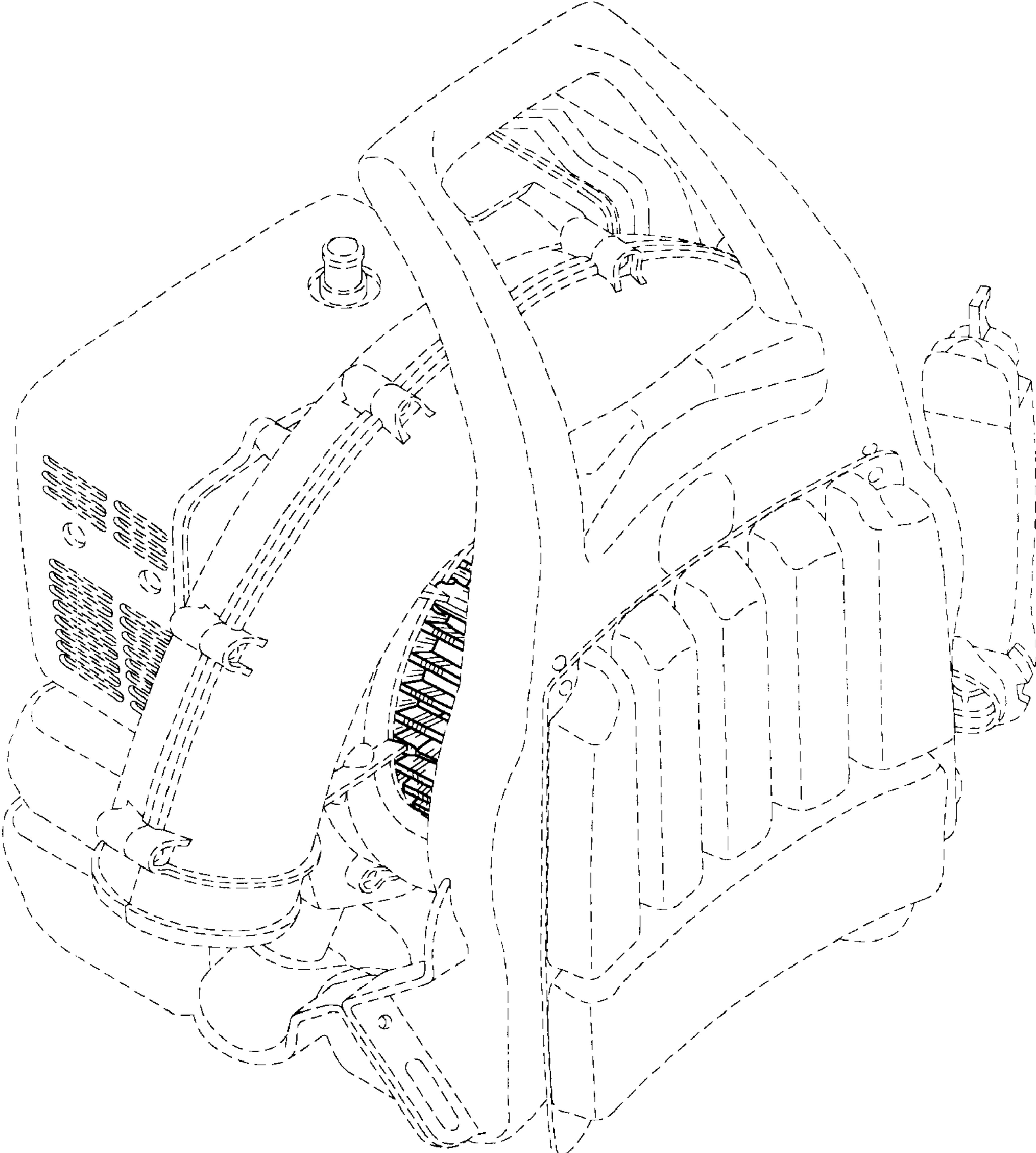


FIG.8