

US00D532894S

(12) **United States Design Patent**
Cheng

(10) **Patent No.:** **US D532,894 S**

(45) **Date of Patent:** **** Nov. 28, 2006**

(54) **KITCHEN VENTILATION HOOD**

(57) **CLAIM**

(76) Inventor: **Fu-Tung Cheng**, 1190 Neilson St.,
Albany, CA (US) 94706

The ornamental design for a kitchen ventilation hood, as shown and described.

(**) Term: **14 Years**

DESCRIPTION

(21) Appl. No.: **29/227,124**

This application is being filed together with two other kitchen ventilation hood applications by the same inventor on this same date. The other applications are 29/127,123 and 29/127,125.

(22) Filed: **Apr. 6, 2005**

FIG. 1 is an upper front right perspective view;

(51) **LOC (8) Cl.** **23-04**

FIG. 2 is a lower front left perspective view;

(52) **U.S. Cl.** **D23/372**

FIG. 3 is a front elevational view; the other side is identical thereto;

(58) **Field of Classification Search** D23/372,
D23/371; 126/299 R, 299 D

FIG. 4 is a side elevational view; the other side is identical thereto;

See application file for complete search history.

FIG. 5 is a top plan view; and,

(56) **References Cited**

FIG. 6 is a bottom plan view.

U.S. PATENT DOCUMENTS

Distinctive curves, a unique suspended structure and and a "tool rail" running along the outer front edge of the kitchen ventilation hood.

D420,119 S * 2/2000 Neff et al. D23/372

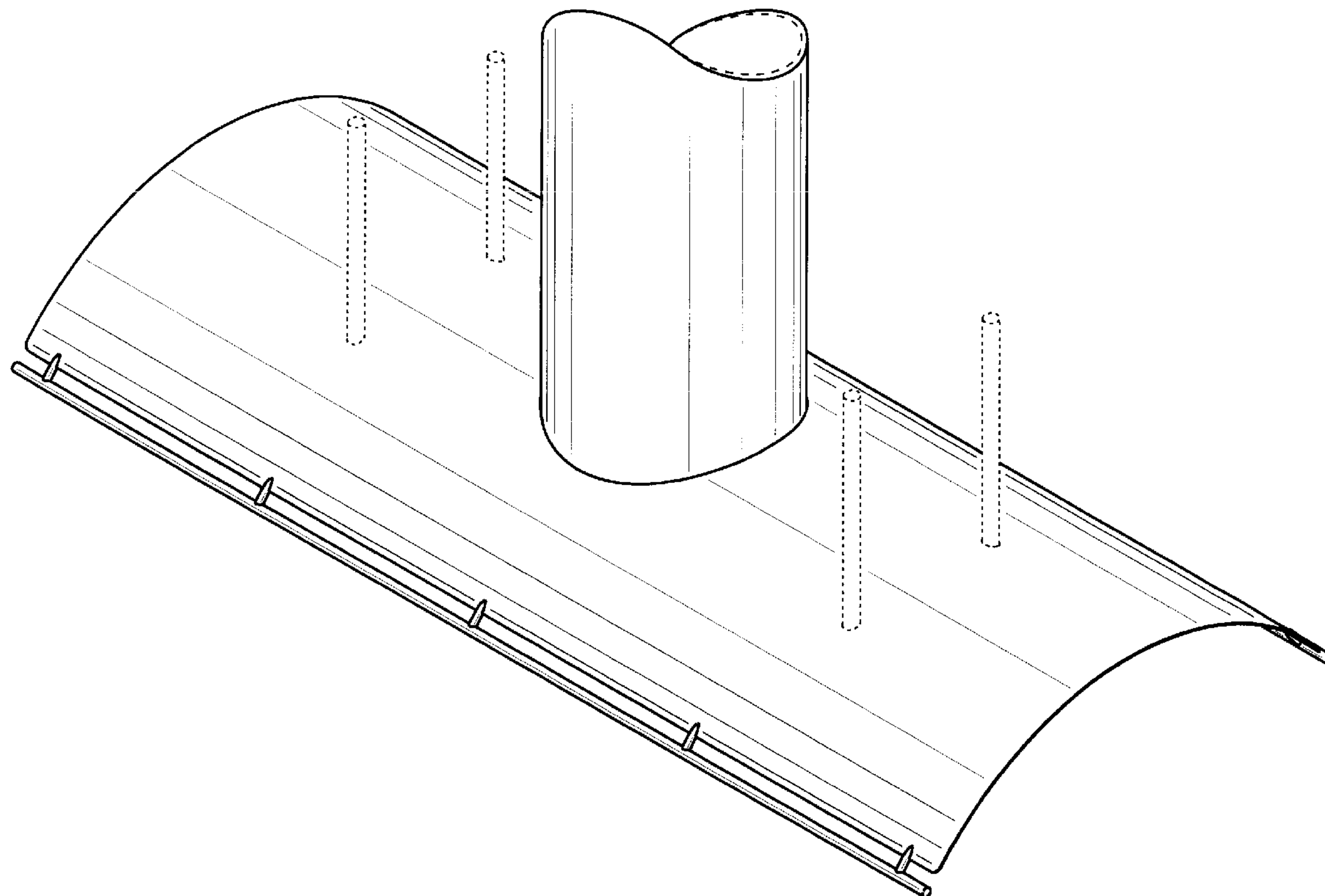
D444,221 S * 6/2001 Strand et al. D23/372

The broken line showing of environmental structure is for illustrative purposes only and forms no part of the claimed design.

* cited by examiner

Primary Examiner—Lisa Lichtenstein

1 Claim, 6 Drawing Sheets



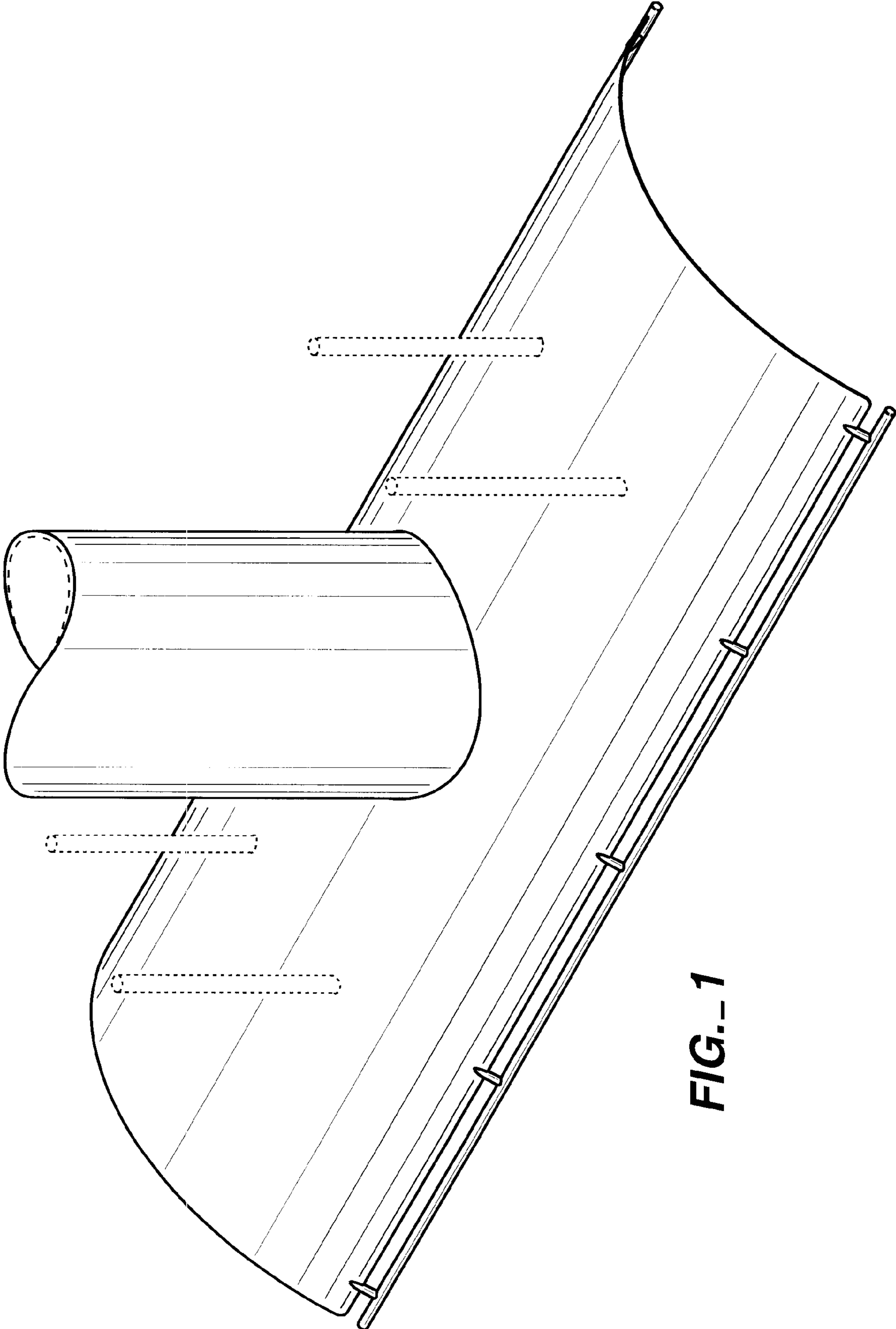


FIG.- 1

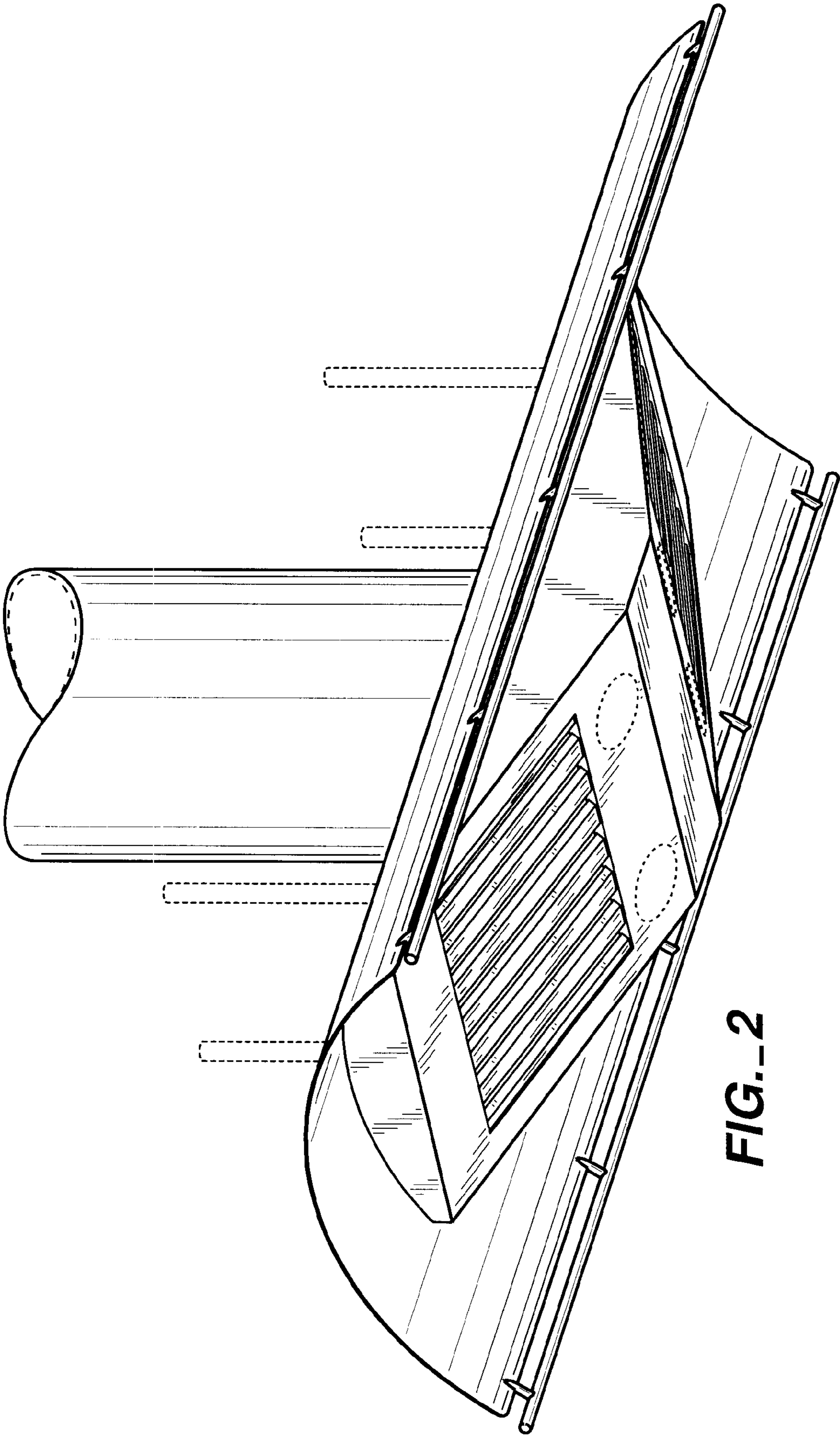


FIG.-2

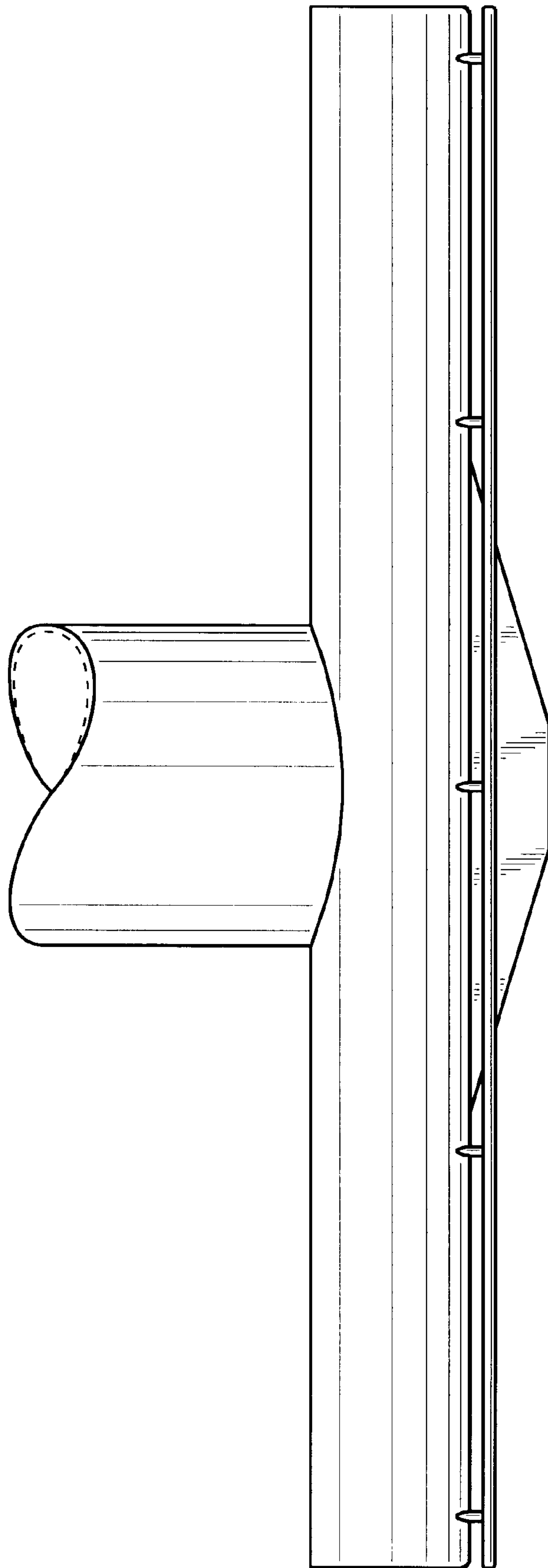


FIG. 3

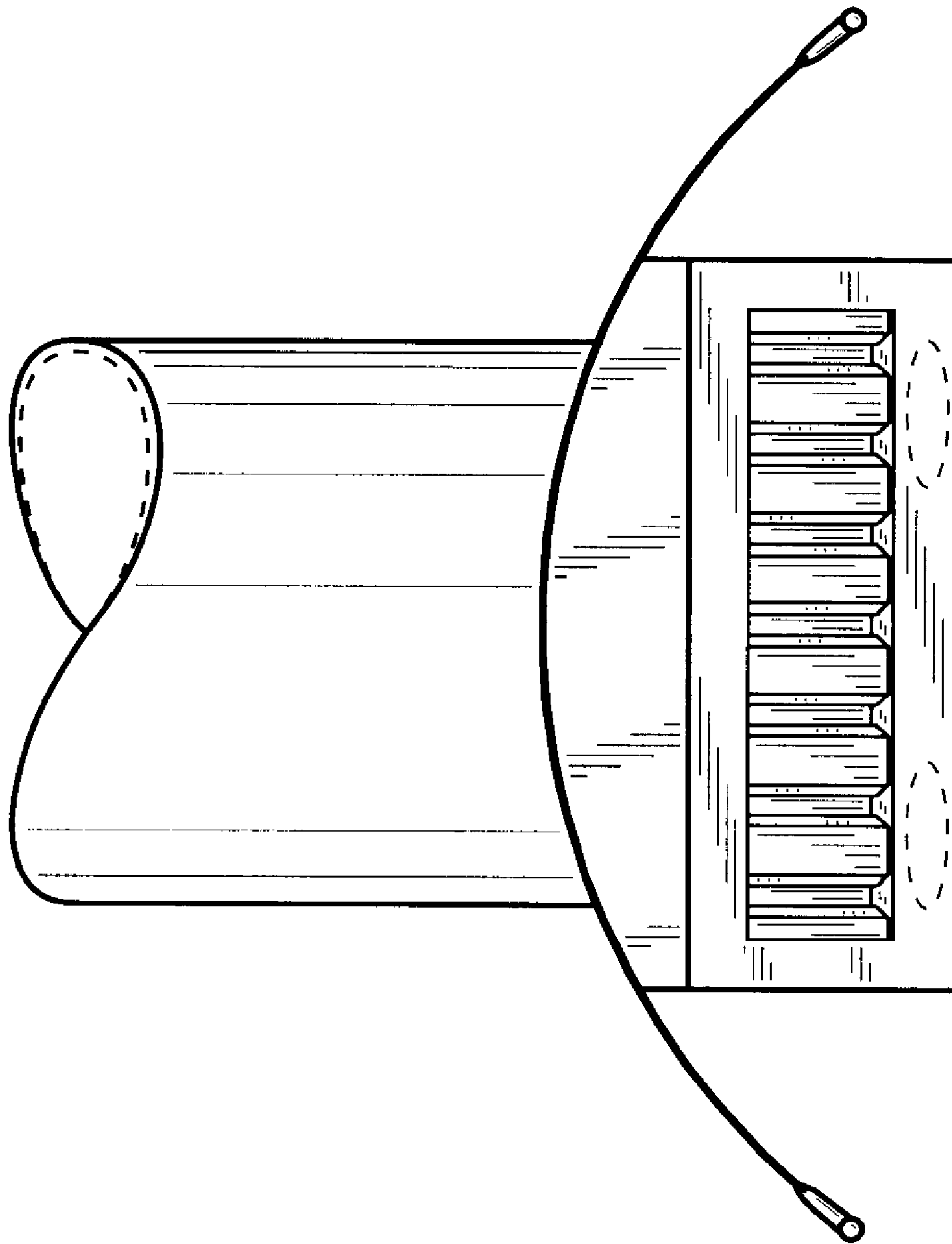


FIG. 4

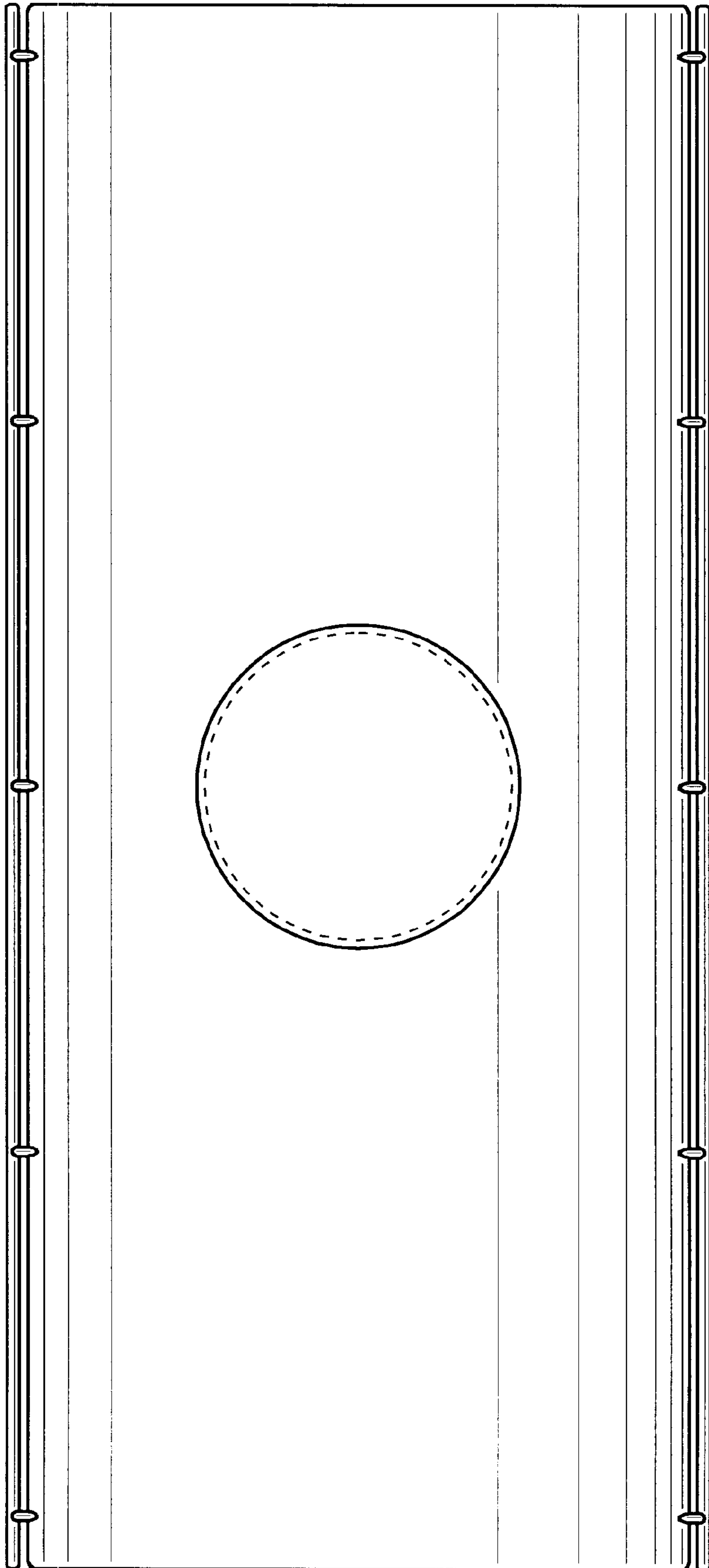


FIG. 5

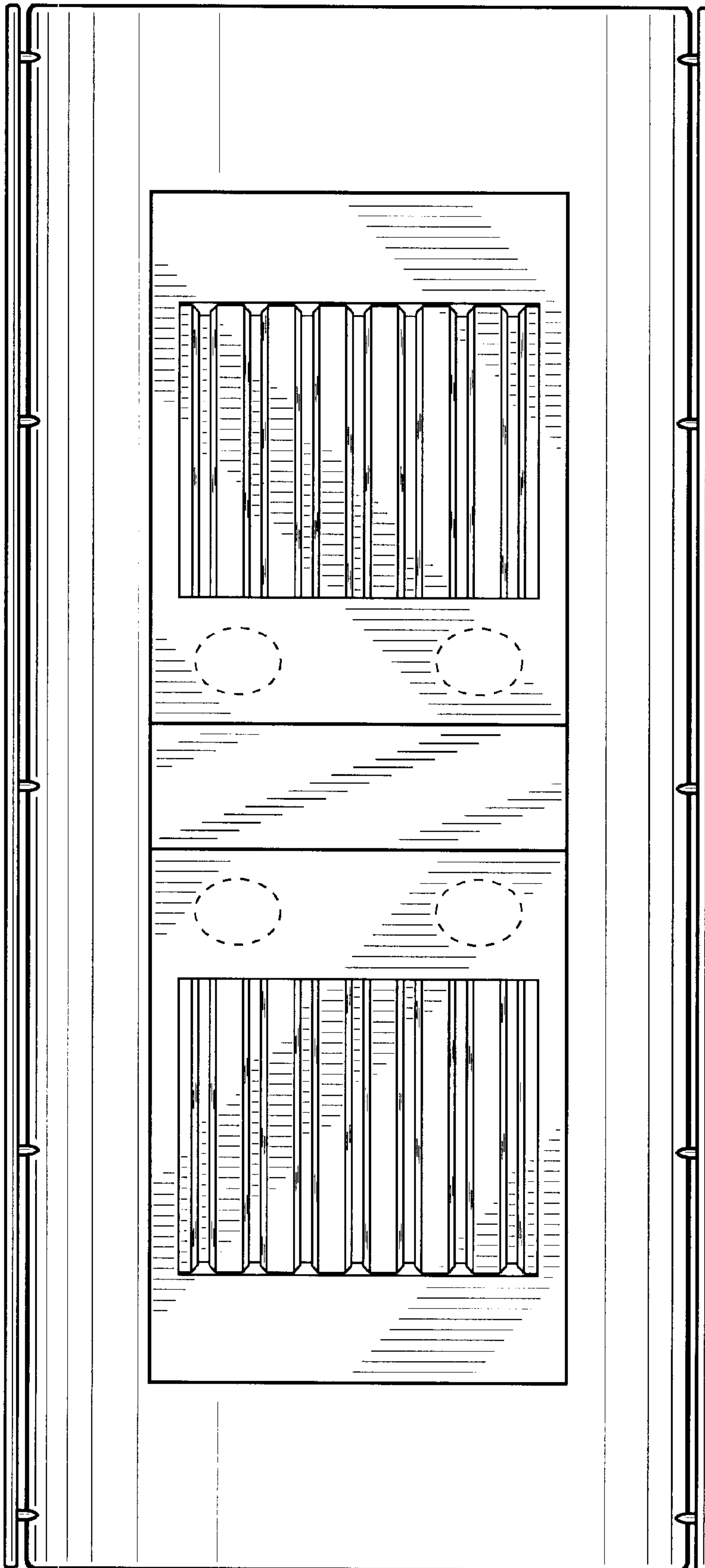


FIG.- 6