



US00D532893S

(12) **United States Design Patent**
Wu

(10) **Patent No.:** **US D532,893 S**

(45) **Date of Patent:** **** Nov. 28, 2006**

(54) **AIR FRESHENER DEVICE**

(75) Inventor: **Henry Wu, Hsin-Tien (TW)**

(73) Assignee: **Aromate Industries Co., Ltd (TW)**

(**) Term: **14 Years**

(21) Appl. No.: **29/240,703**

(22) Filed: **Oct. 17, 2005**

(51) **LOC (8) Cl.** **23-03**

(52) **U.S. Cl.** **D23/366**

(58) **Field of Classification Search** 392/386,
392/390-394, 398, 401, 403, 405-406; 239/135-136,
239/34, 35, 56-58, 37, 41, 42, 60; 261/DIG. 17,
261/DIG. 65, DIG. 88, DIG. 89; D23/355-369
See application file for complete search history.

(56) **References Cited**

U.S. PATENT DOCUMENTS

D159,407 S	*	7/1950	Costello	D23/366
4,391,781 A	*	7/1983	van Lit	422/125
D349,157 S	*	7/1994	Rymer	D23/362
5,522,008 A	*	5/1996	Bernard	392/392

5,527,493 A	*	6/1996	McElfresh et al.	261/30
D385,344 S	*	10/1997	Green	D23/367
6,103,201 A	*	8/2000	Green	422/124
D457,230 S	*	5/2002	Huang	D23/364
D466,205 S	*	11/2002	Garcia	D23/366
D492,400 S	*	6/2004	Smith et al.	D23/364
D492,760 S	*	7/2004	Garman	D23/364
D498,525 S	*	11/2004	Harbutt et al.	D23/366

* cited by examiner

Primary Examiner—Sandra S. Snapp

(74) *Attorney, Agent, or Firm*—Ira S. Dorman

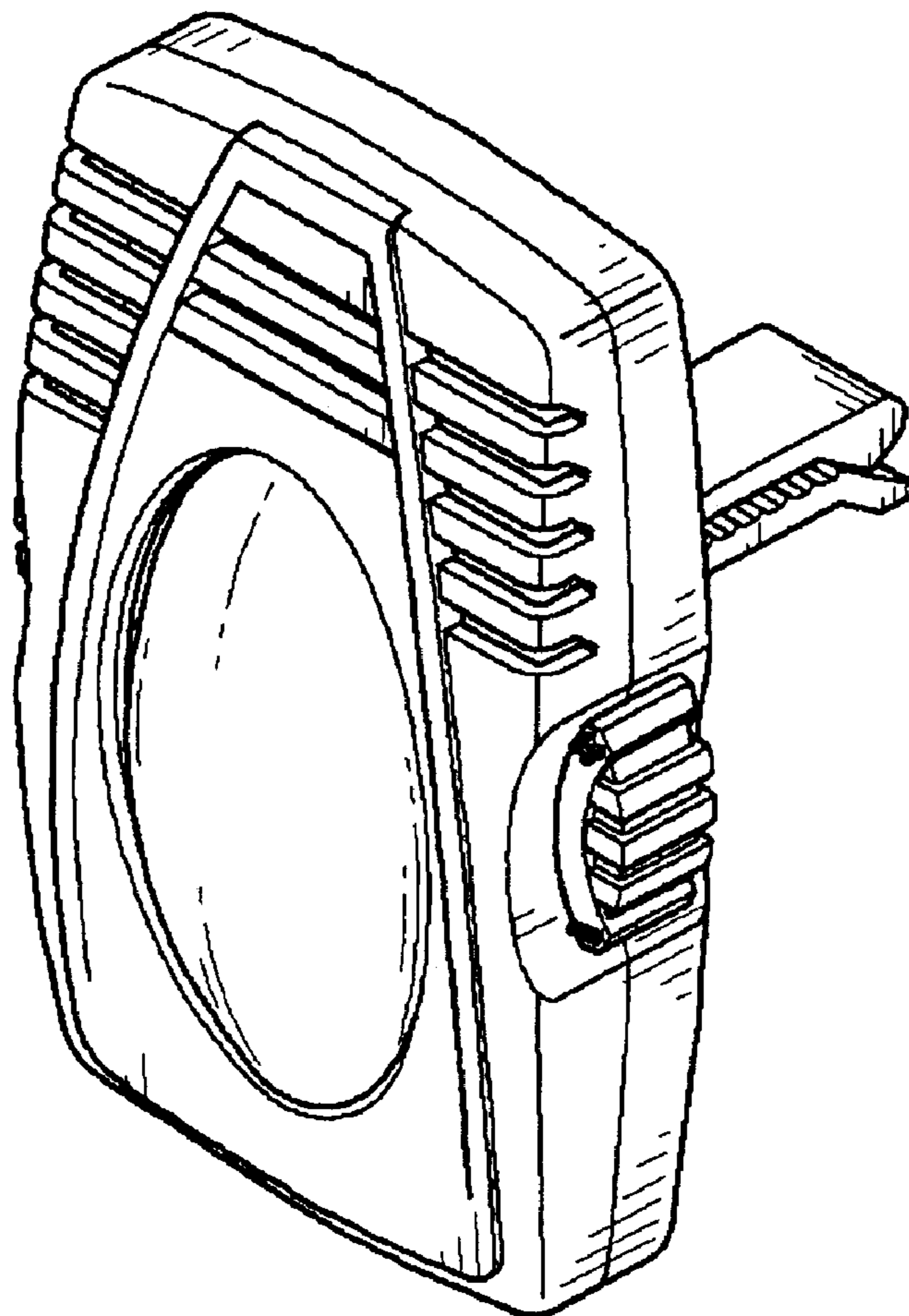
(57) **CLAIM**

The ornamental design for an air freshener device, as shown.

DESCRIPTION

FIG. 1 is perspective view of an air freshener device embodying the present invention;
FIG. 2 is a front view of the air freshener device;
FIG. 3 is a rear view of the air freshener device; and,
FIG. 4 is a side view of the air freshener device, the opposite side view being a mirror image thereof.

1 Claim, 3 Drawing Sheets



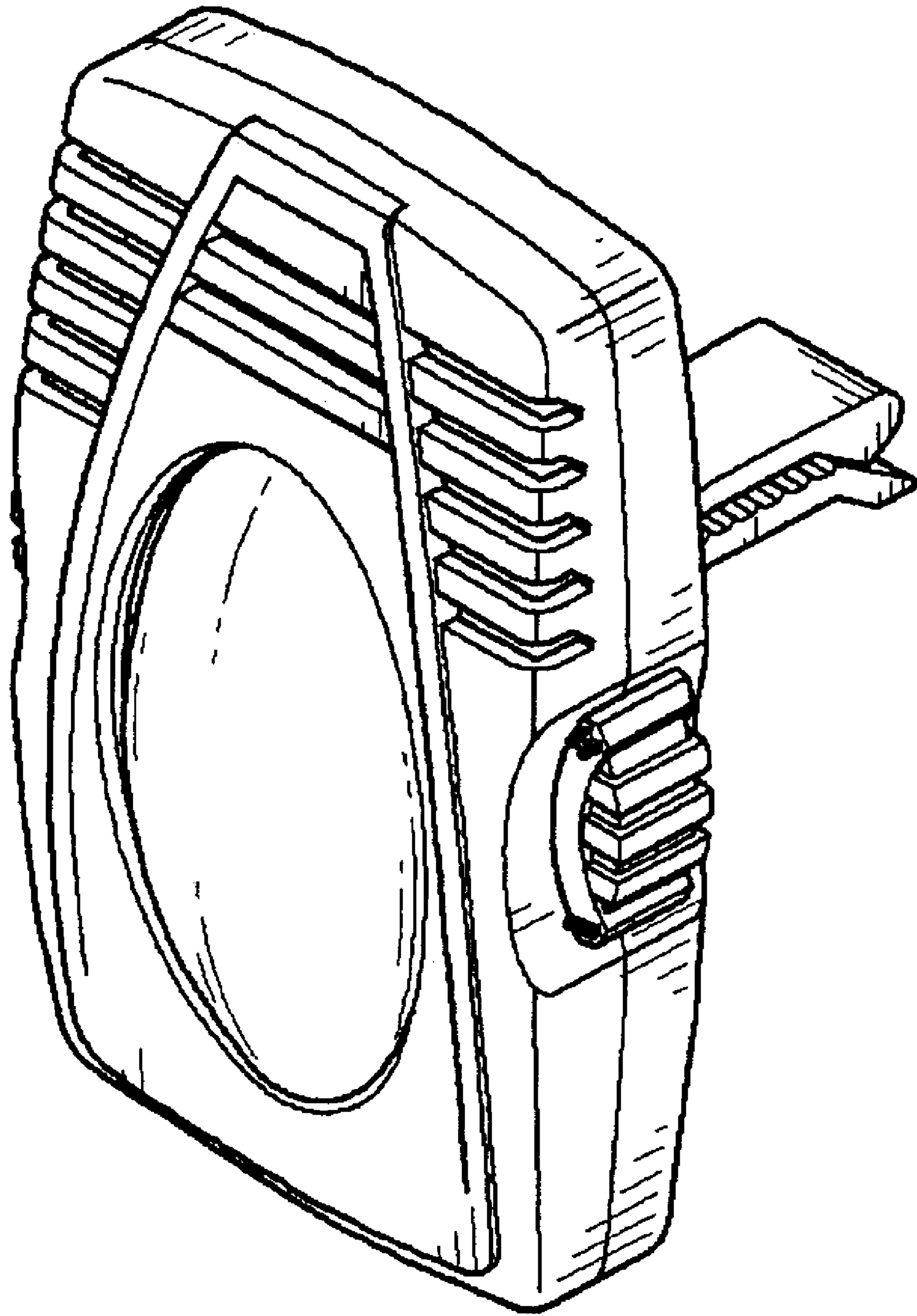


FIG 1

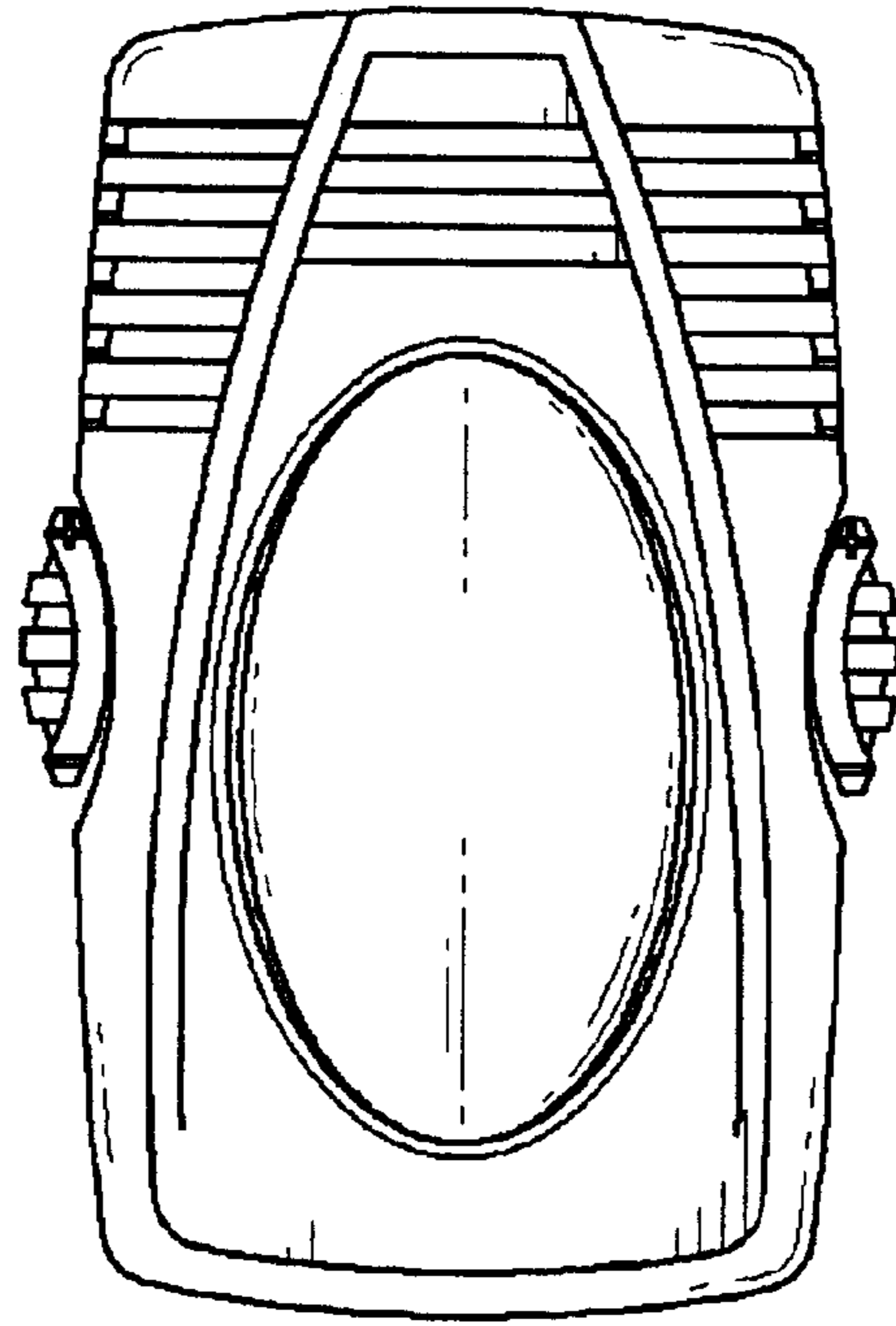


FIG 2.

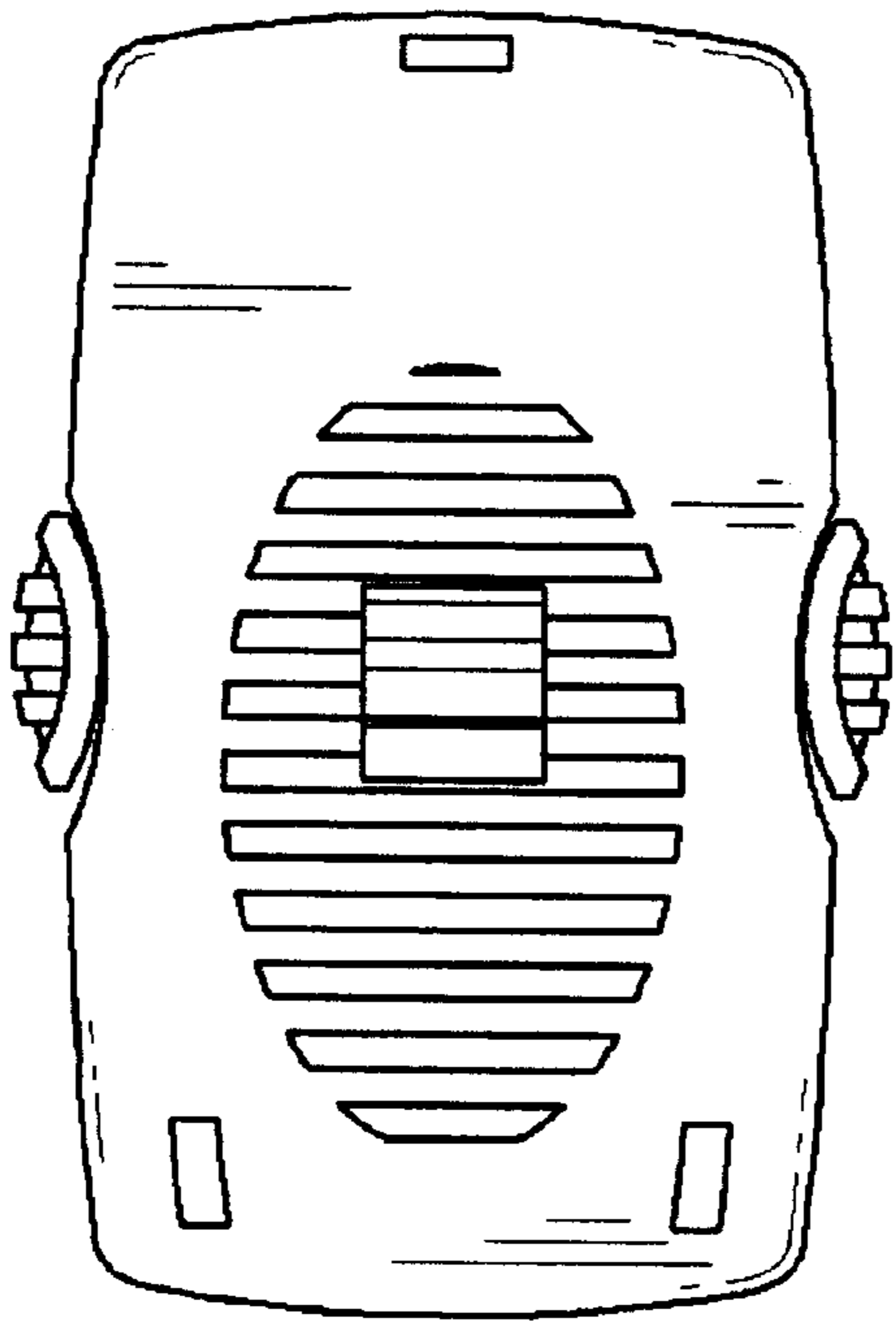


FIG 3.

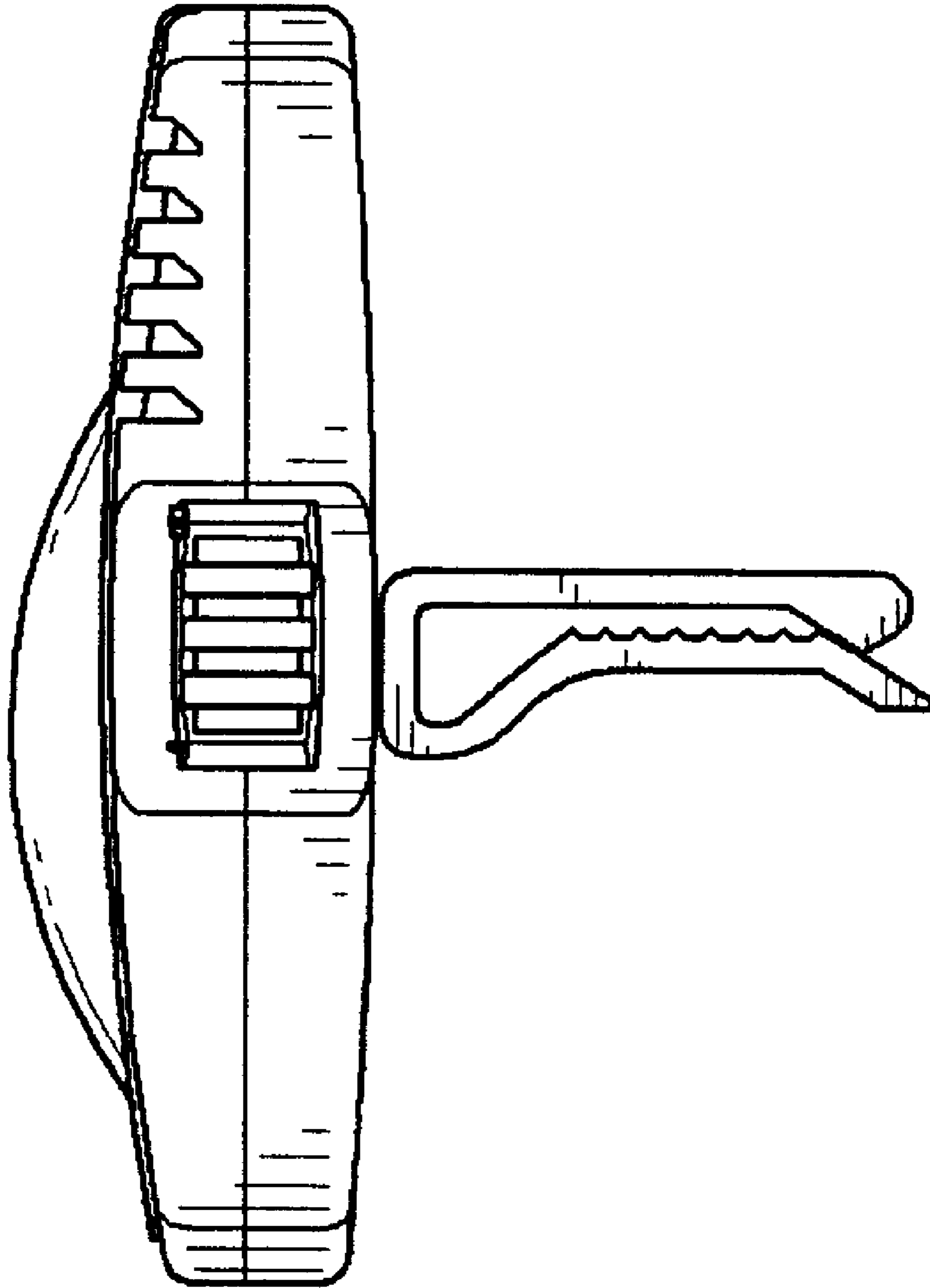


FIG 4.