



US00D532886S

(12) **United States Design Patent**  
**Yeargin et al.**

(10) **Patent No.:** **US D532,886 S**

(45) **Date of Patent:** **\*\* Nov. 28, 2006**

(54) **VENT FREE GAS HEATER**

(75) Inventors: **Bobby Yeargin**, Bowling Green, KY (US); **Jeff Clack**, Bowling Green, KY (US); **Blake Fowler**, Bowling Green, KY (US); **Eric Pitchford**, Bowling Green, KY (US)

(73) Assignee: **Desa IP, LLC**, Bowling Green, KY (US)

(\*\*) Term: **14 Years**

(21) Appl. No.: **29/238,287**

(22) Filed: **Sep. 13, 2005**

(51) **LOC (8) Cl.** ..... **23-03**

(52) **U.S. Cl.** ..... **D23/344**

(58) **Field of Classification Search** ..... D23/314,  
D23/330, 342-344, 335, 339; 126/500, 544,  
126/247, 249

See application file for complete search history.

(56) **References Cited**

**U.S. PATENT DOCUMENTS**

D270,858 S	*	10/1983	McInnes	.....	D23/344
D283,343 S	*	4/1986	Haythornthwaite	.....	D23/344
D294,289 S	*	2/1988	Tongue	.....	D23/342
D301,924 S	*	6/1989	Craver	.....	D23/344

D304,227 S	*	10/1989	Benfield et al.	.....	D23/344
D348,726 S	*	7/1994	Wilson	.....	D23/344
D375,155 S	*	10/1996	Radke	.....	D23/344
D376,000 S	*	11/1996	Wilson et al.	.....	D23/342
D410,075 S	*	5/1999	Wilson	.....	D23/339
D421,647 S	*	3/2000	Heger	.....	D23/339

\* cited by examiner

*Primary Examiner*—Brian N Vinson

(74) *Attorney, Agent, or Firm*—John F. Salazar; Middleton Reutlinger

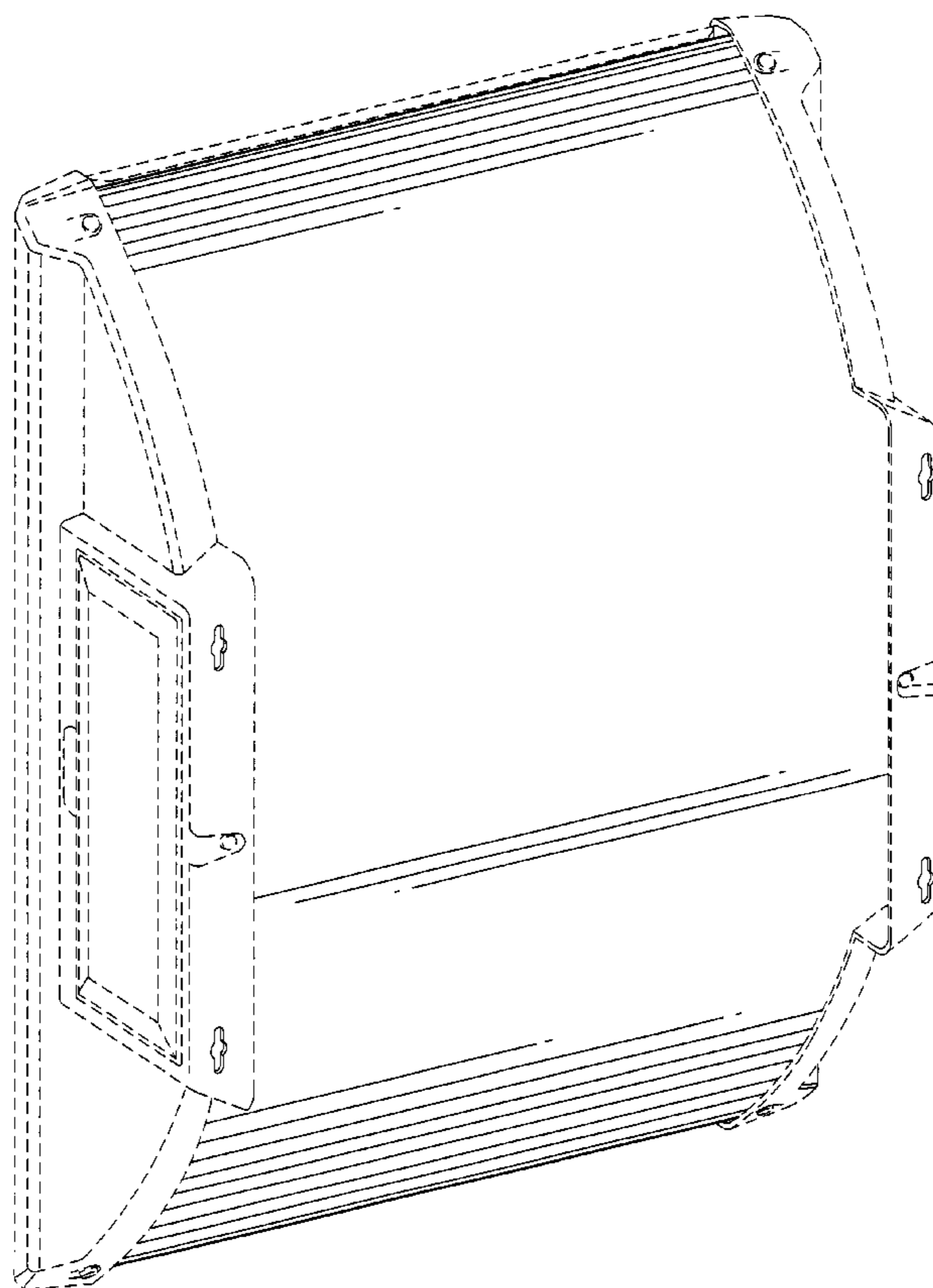
(57) **CLAIM**

The ornamental design for a vent free gas heater, as shown and described.

**DESCRIPTION**

FIG. 1 is a rear perspective view showing our new design; FIG. 2 is rear view thereof, where the front view does not form a part of this design and, therefore, has been omitted; FIG. 3 is a left view thereof, where the right view is a mirror image of this view, and, therefore, has been omitted; and, FIG. 4 is a top view thereof, where the bottom view is a mirror image of this view, and, therefore, has been omitted. The broken-line disclosure in the views is understood to be for illustrative purposes only and forms no part of the claimed design.

**1 Claim, 4 Drawing Sheets**



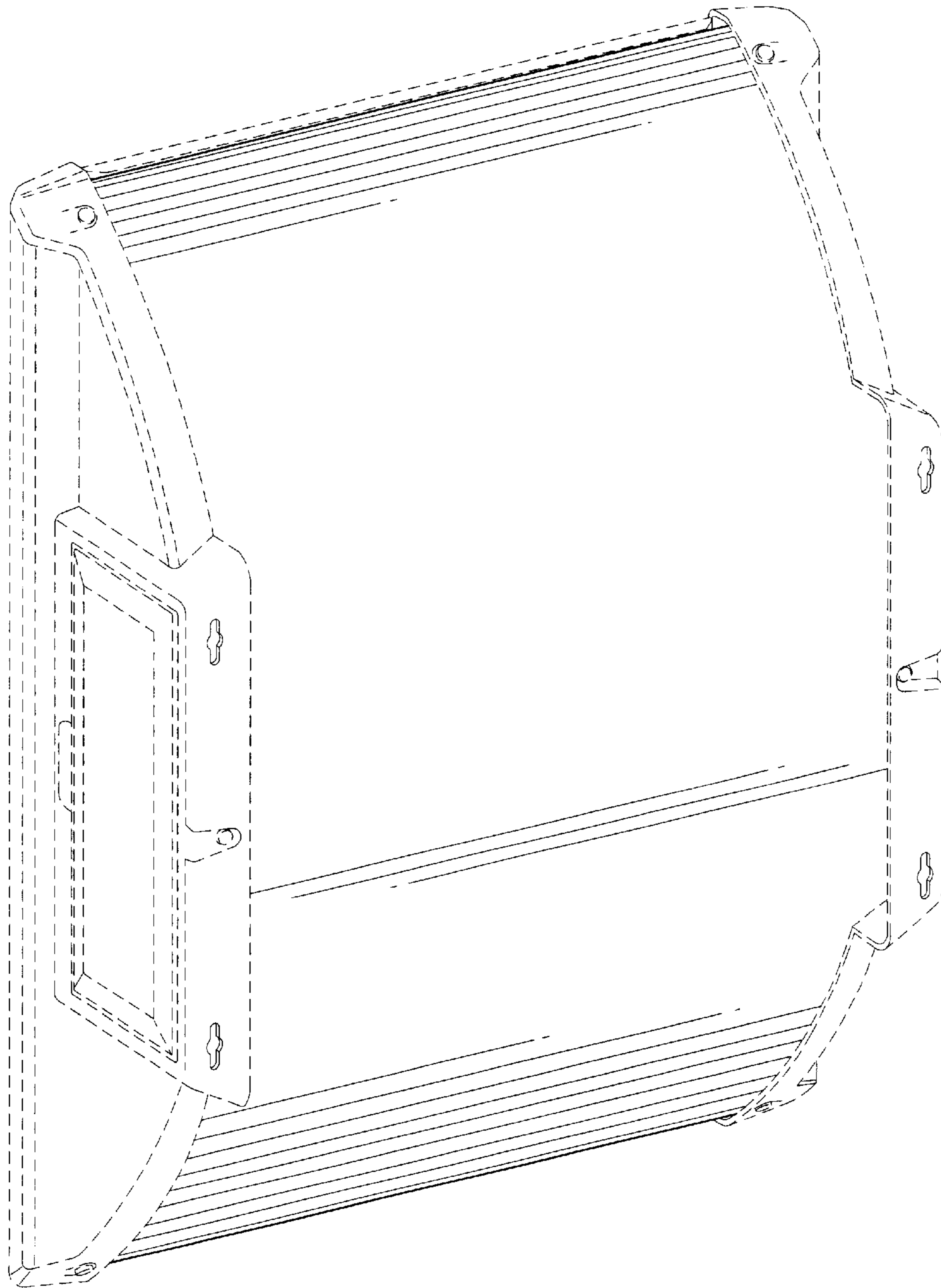


FIG. 1

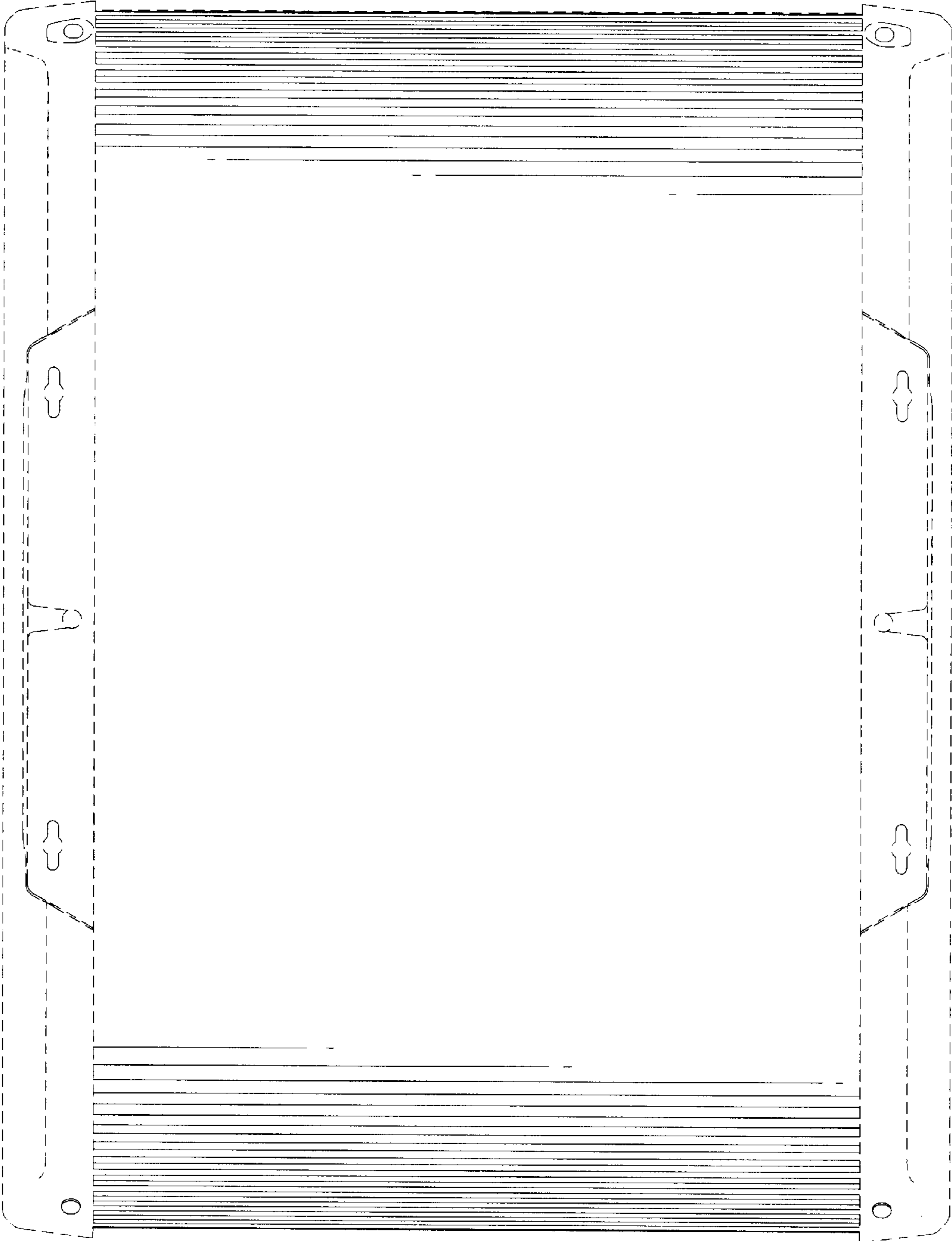


FIG. 2

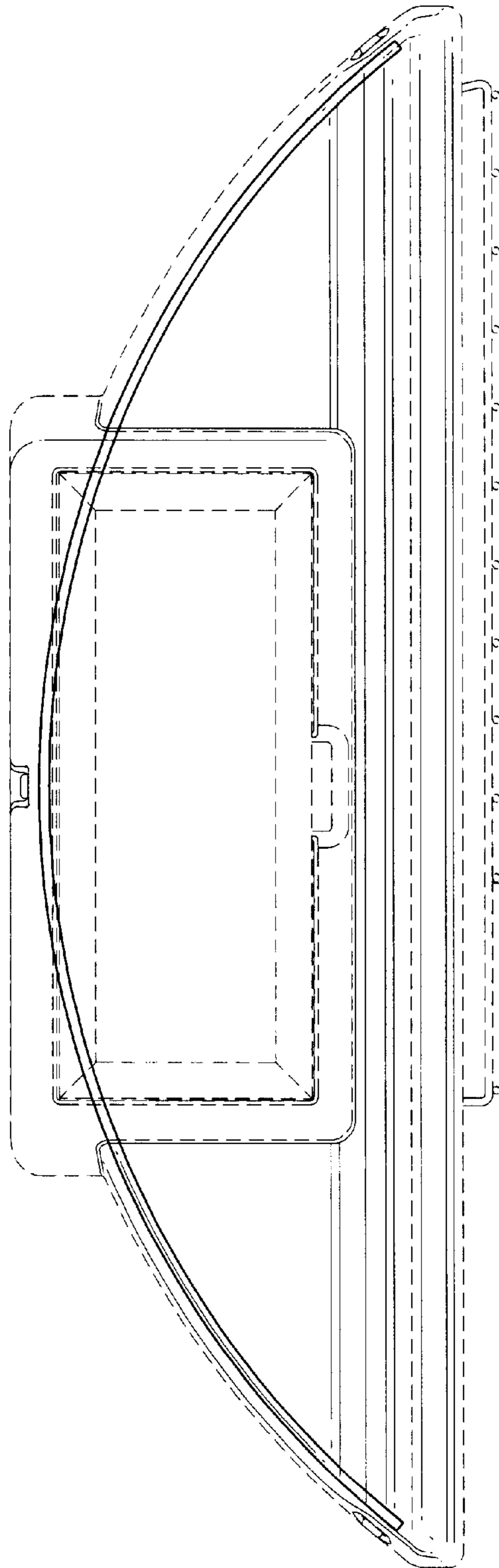


FIG. 3

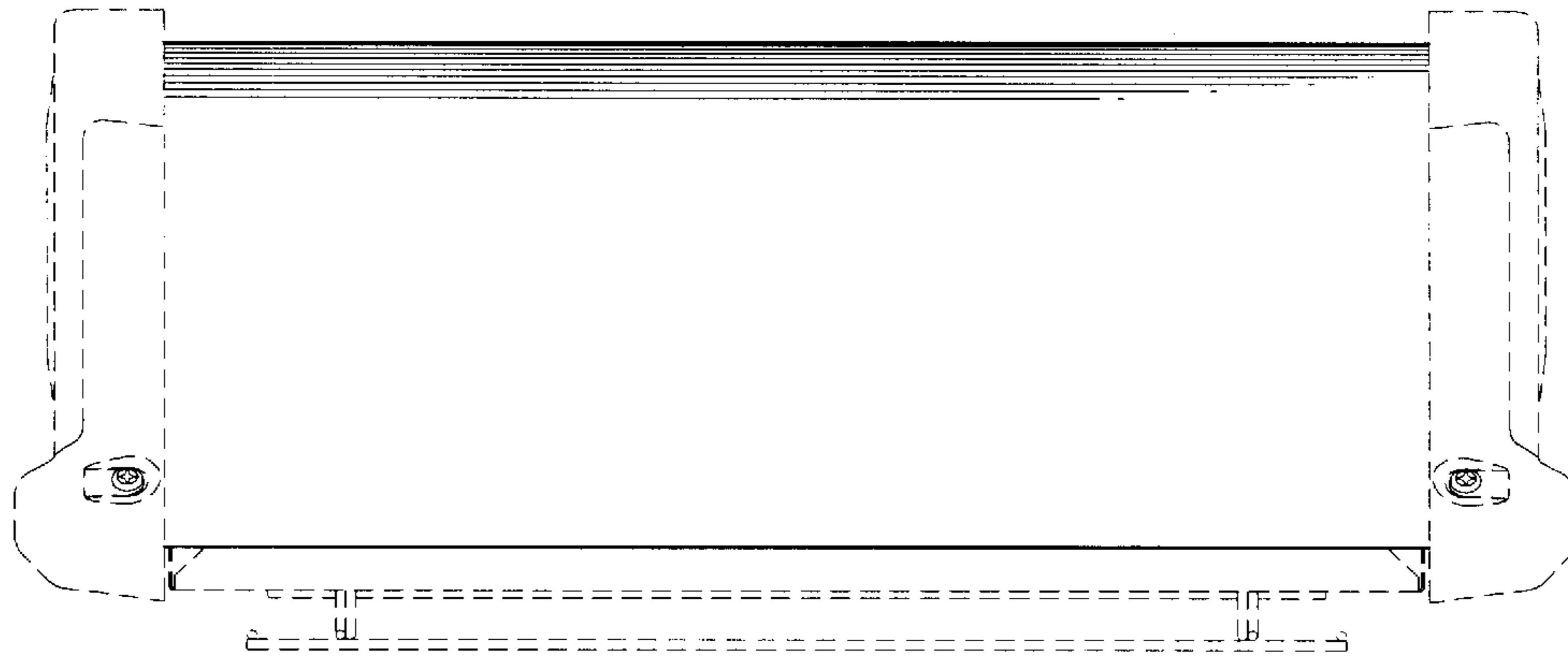


FIG. 4