

US00D532881S

(12) **United States Design Patent**
Ching

(10) **Patent No.:** **US D532,881 S**

(45) **Date of Patent:** **** Nov. 28, 2006**

(54) **ELECTRIC HEATER**

D453,557 S * 2/2002 Pannozzo et al. D23/335
D499,474 S * 12/2004 Ching D23/335

(75) Inventor: **Chan Ching**, Taipei Hsien (TW)

* cited by examiner

(73) Assignee: **Perfect Union Co., Ltd.**, Taipei Hsien (TW)

Primary Examiner—Brian N Vinson

(74) *Attorney, Agent, or Firm*—Troxell Law Office, PLLC

(**) Term: **14 Years**

(57) **CLAIM**

(21) Appl. No.: **29/239,729**

The ornamental design for electric heater, as shown and described.

(22) Filed: **Oct. 5, 2005**

DESCRIPTION

(51) **LOC (8) Cl.** **23-03**

(52) **U.S. Cl.** **D23/335; D23/332**

(58) **Field of Classification Search** D23/314,
D23/332, 335-337, 339-341; 126/9 A, 92 A,
126/92 B, 92 AC, 110 B, 110 D; 392/365-369,
392/373-376; 312/236

FIG. 1 is a top front and left side perspective view of electric heater showing my new design;

FIG. 2 is a front elevational view thereof;

FIG. 3 is a rear elevational view thereof;

FIG. 4 is a left side elevational view thereof;

FIG. 5 is a right side elevational view thereof;

FIG. 6 is a top plan view thereof; and,

FIG. 7 is a bottom plan view thereof.

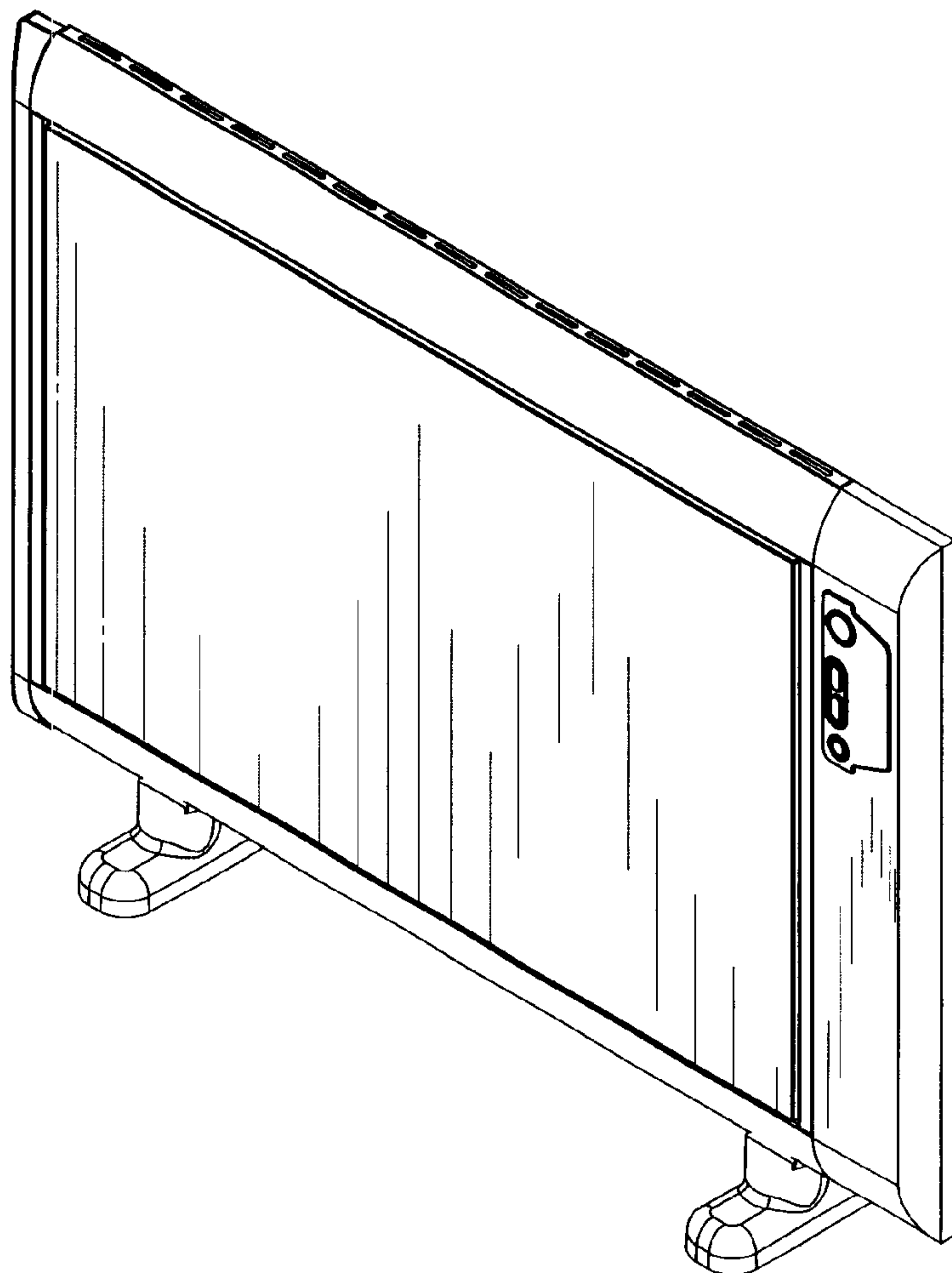
See application file for complete search history.

(56) **References Cited**

U.S. PATENT DOCUMENTS

D348,725 S * 7/1994 Wortham D23/335

1 Claim, 4 Drawing Sheets



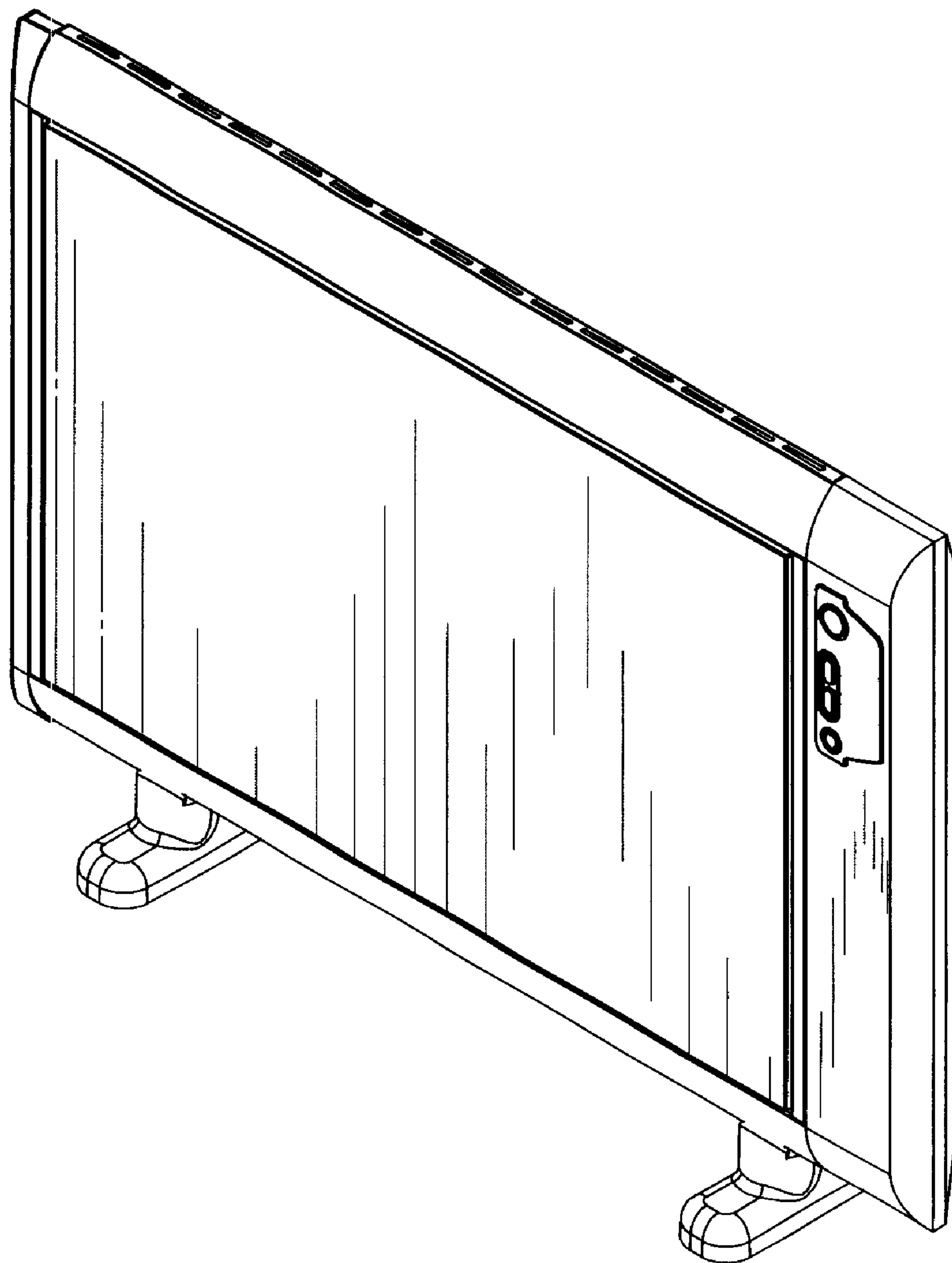


Fig. 1

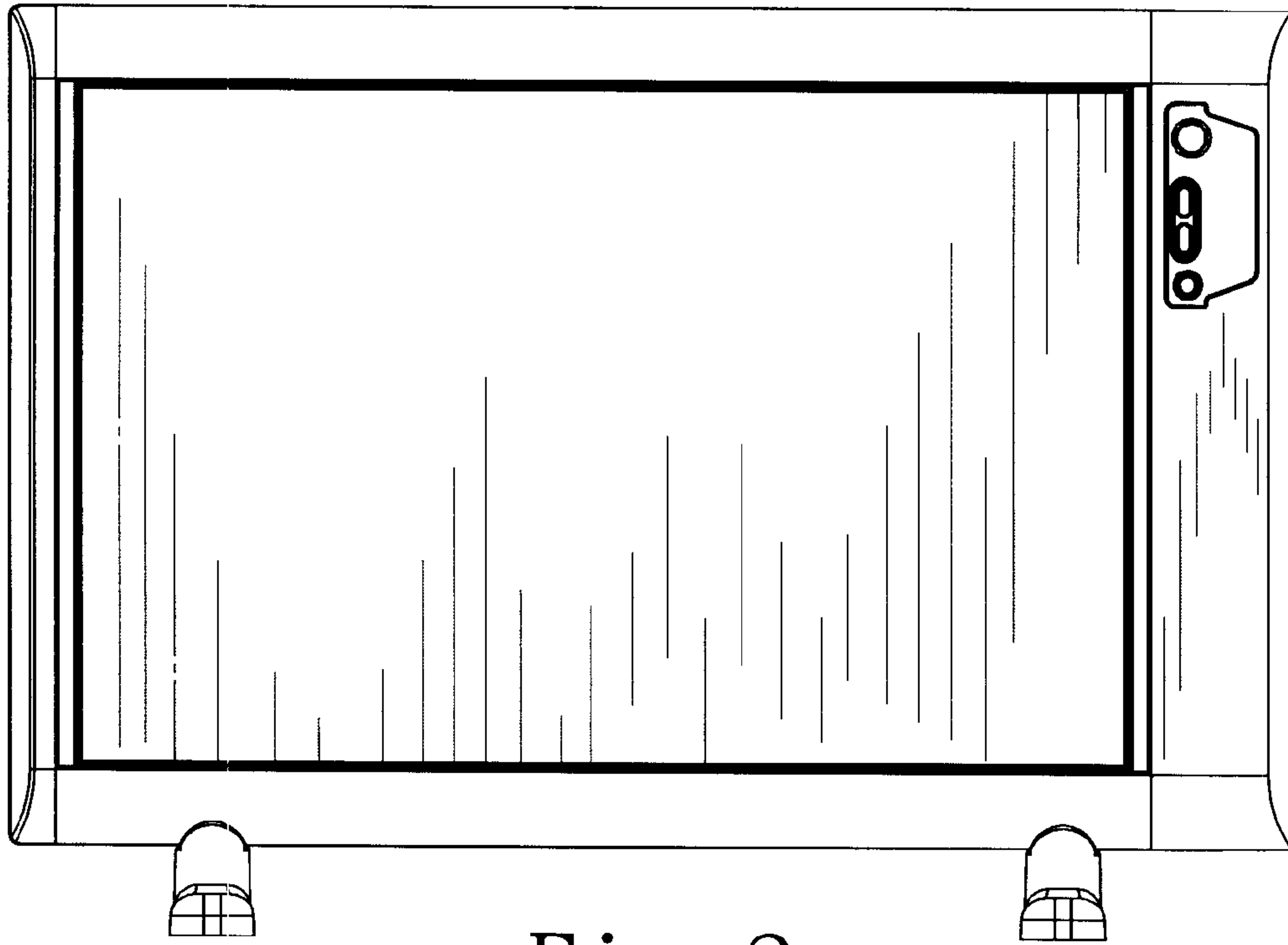


Fig. 2

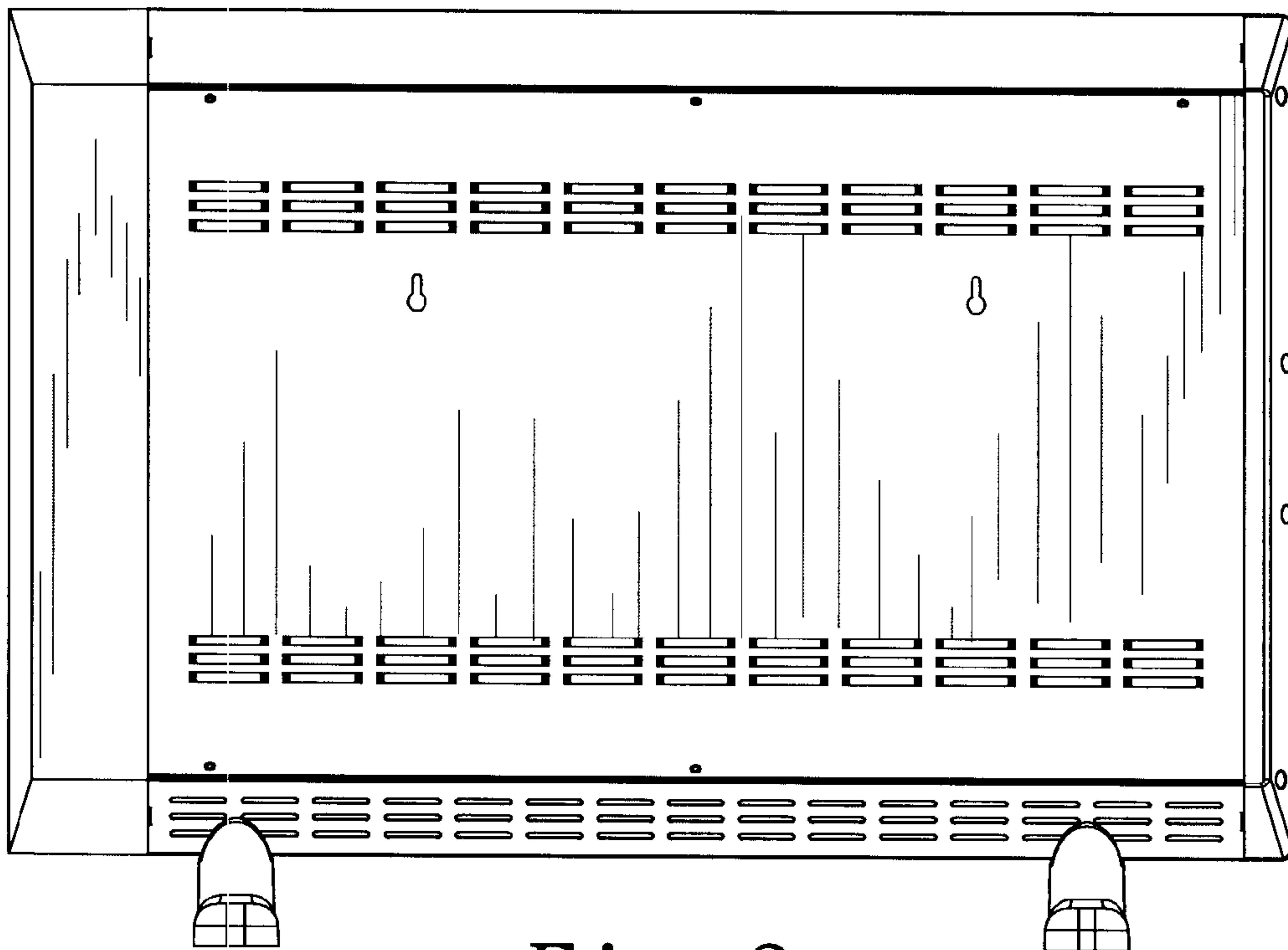


Fig. 3

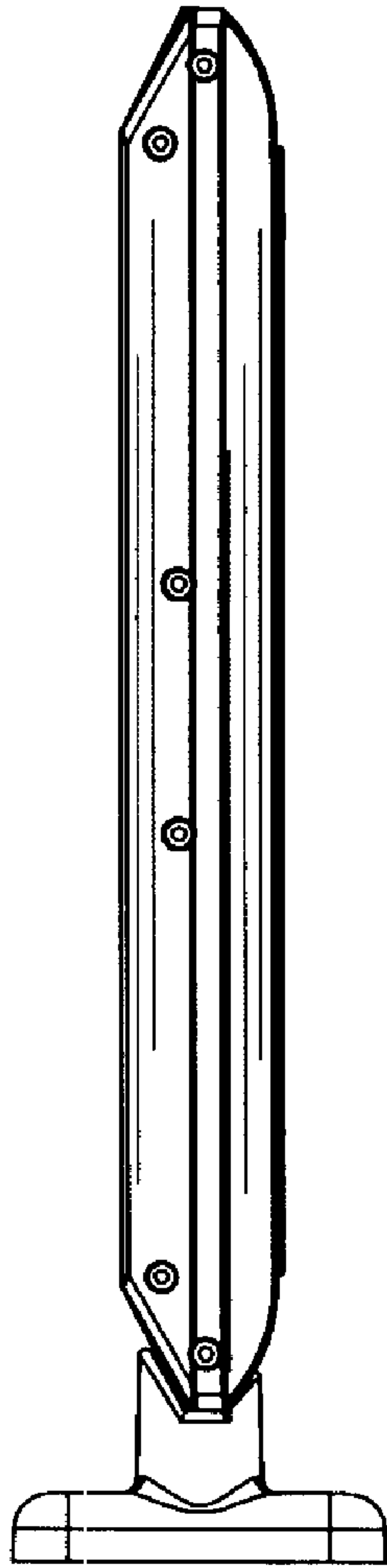


Fig. 4

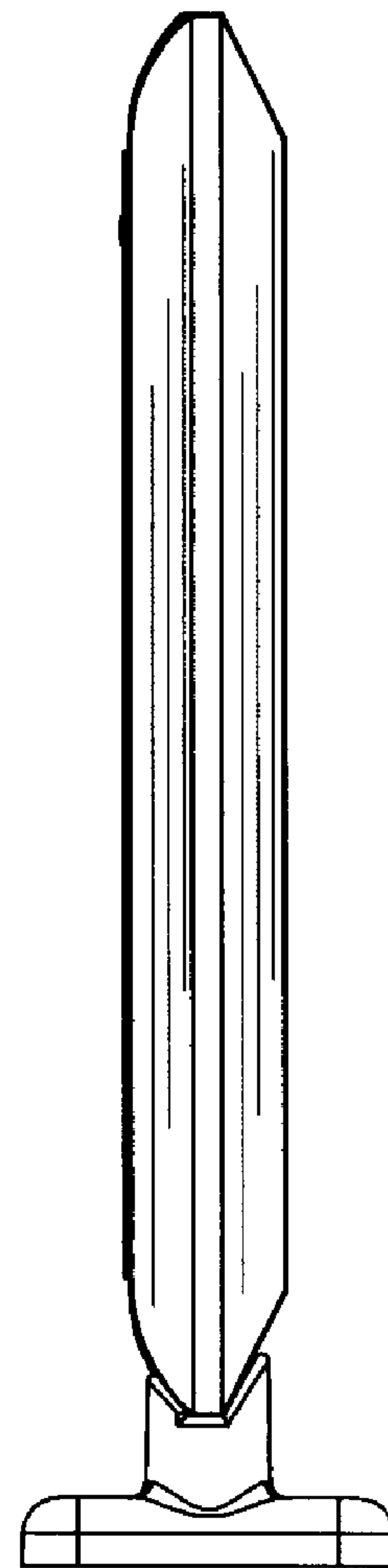


Fig. 5

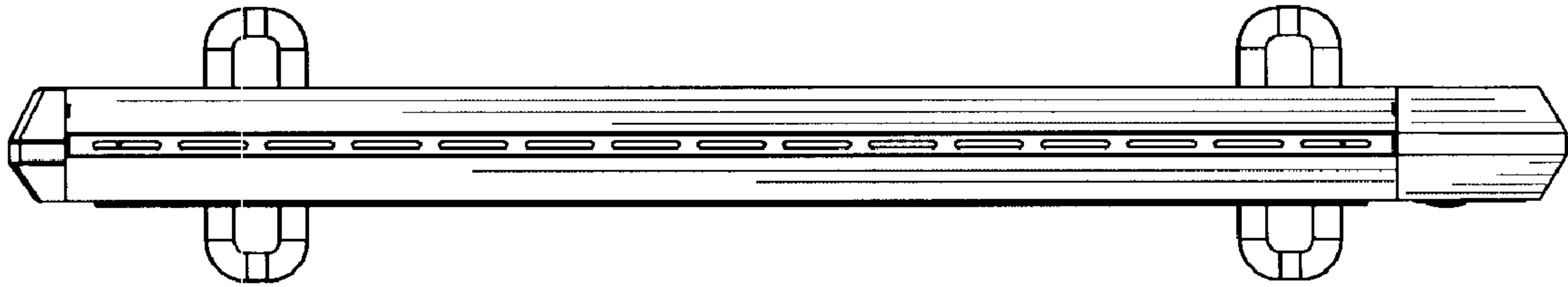


Fig. 6

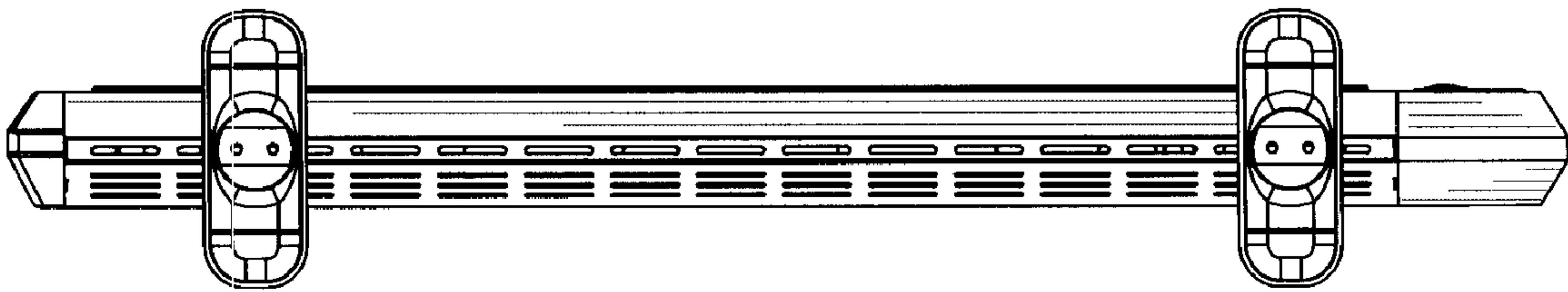


Fig. 7