



US00D532880S

(12) **United States Design Patent**  
**Ching**

(10) **Patent No.:** **US D532,880 S**

(45) **Date of Patent:** **\*\* Nov. 28, 2006**

(54) **CERAMIC ELECTRIC HEATER**  
(75) Inventor: **Chan Ching**, Taipei Hsien (TW)  
(73) Assignee: **Perfect Union Co., Ltd.**, Taipei Hsien (TW)  
(\*\*) Term: **14 Years**

D483,102 S \* 12/2003 Ching ..... D23/335  
D513,430 S \* 1/2006 Blateri ..... D23/335  
D514,675 S \* 2/2006 Blateri ..... D23/335  
D515,677 S \* 2/2006 Blateri ..... D23/335  
D518,563 S \* 4/2006 Blateri ..... D23/335  
D519,195 S \* 4/2006 Blateri ..... D23/335  
D521,132 S \* 5/2006 Blateri ..... D23/335

\* cited by examiner

(21) Appl. No.: **29/224,453**  
(22) Filed: **Mar. 3, 2005**

*Primary Examiner*—Brian N Vinson  
(74) *Attorney, Agent, or Firm*—Troxell Law Office, PLLC

(51) **LOC (8) Cl.** ..... **23-03**  
(52) **U.S. Cl.** ..... **D23/335**  
(58) **Field of Classification Search** ..... D23/332,  
D23/314, 335–338, 340–345, 349–350; 392/360,  
392/365–369, 373–376; 312/326; 126/110 B,  
126/90 A, 92 A  
See application file for complete search history.

(57) **CLAIM**

The ornamental design for ceramic electric heater, as shown and described.

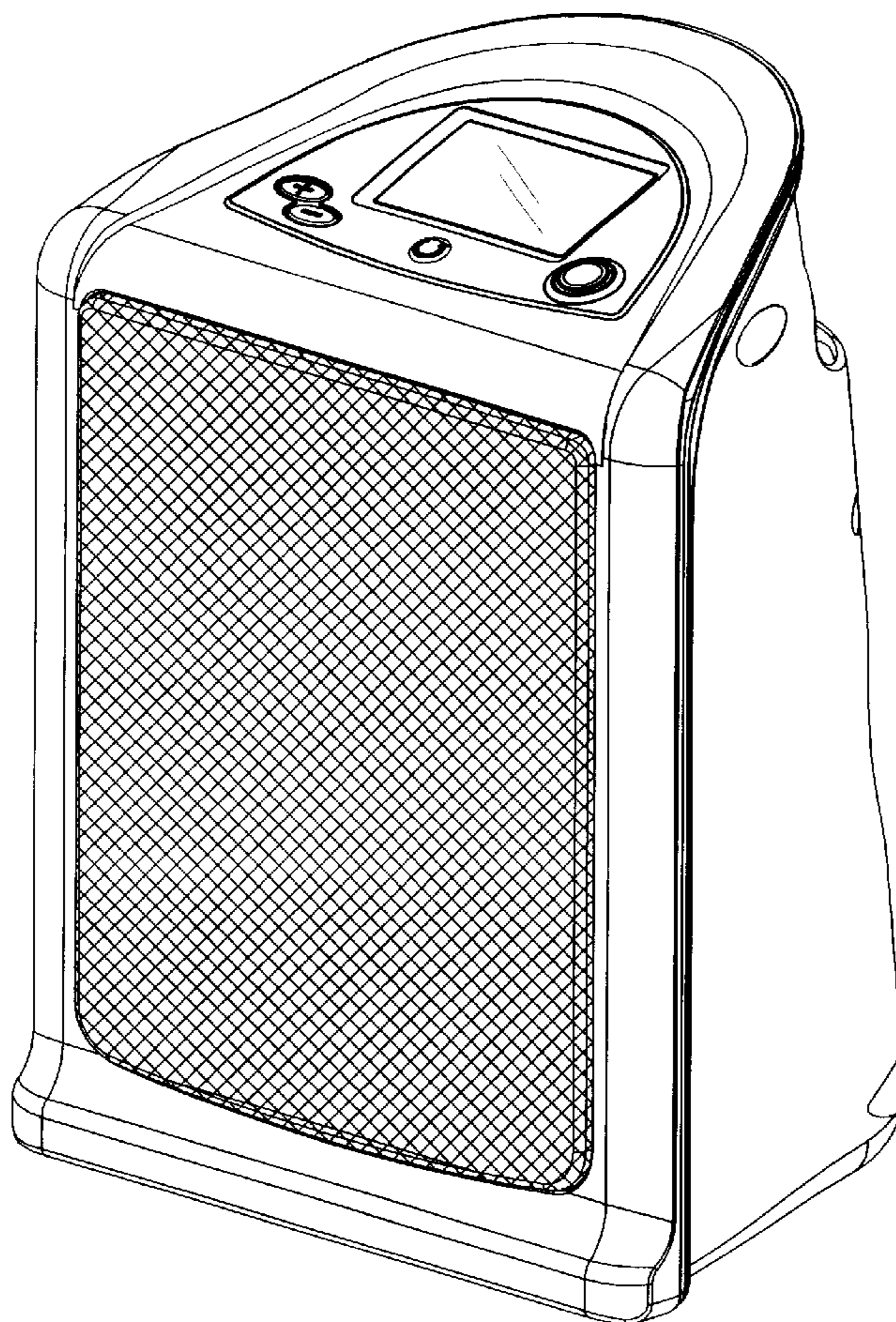
**DESCRIPTION**

FIG. 1 is a top front and left side perspective view of ceramic electric heater showing my new design; FIG. 2 is a front elevational view thereof; FIG. 3 is a rear elevational view thereof; FIG. 4 is a left side elevational view thereof; FIG. 5 is a right side elevational view thereof; FIG. 6 is a top plan view thereof; and, FIG. 7 is a bottom plan view thereof.

(56) **References Cited**  
U.S. PATENT DOCUMENTS

D343,230 S \* 1/1994 Lim ..... D23/335  
D384,734 S \* 10/1997 Ellwood ..... D23/337  
D418,591 S \* 1/2000 Birdsell et al. .... D23/335  
D459,454 S \* 6/2002 Shapiro ..... D23/335

**1 Claim, 6 Drawing Sheets**



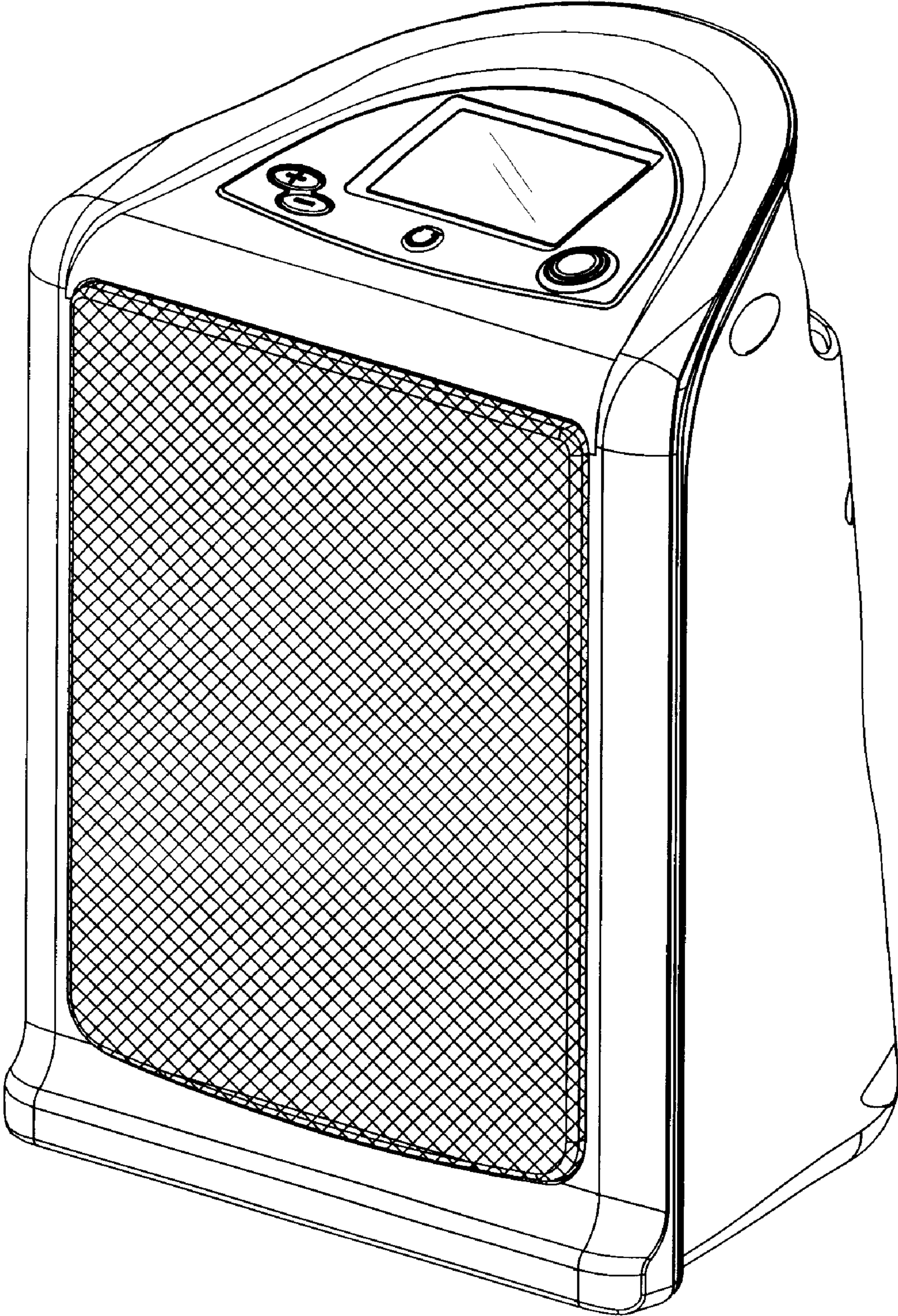


Fig. 1

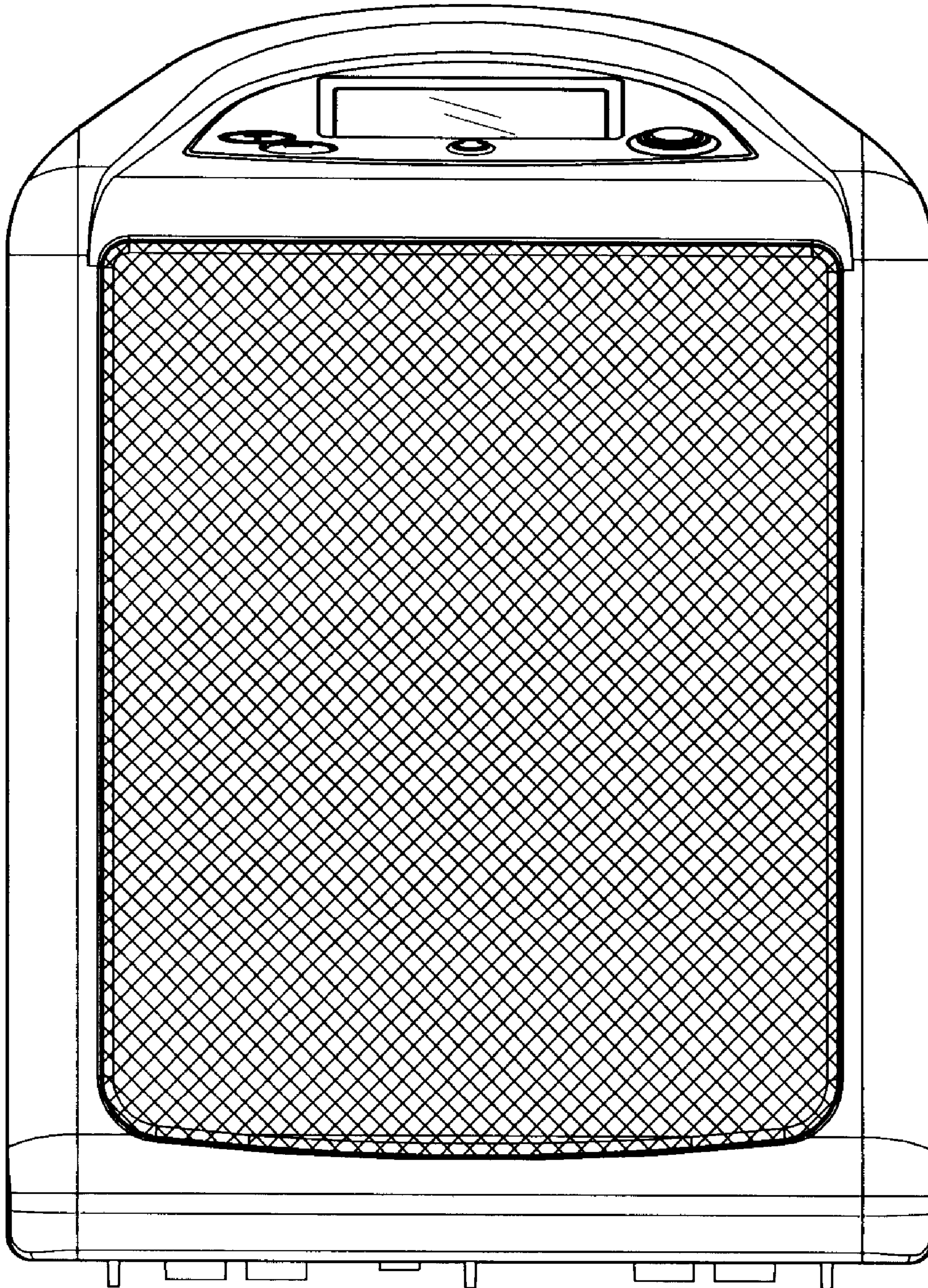


Fig. 2

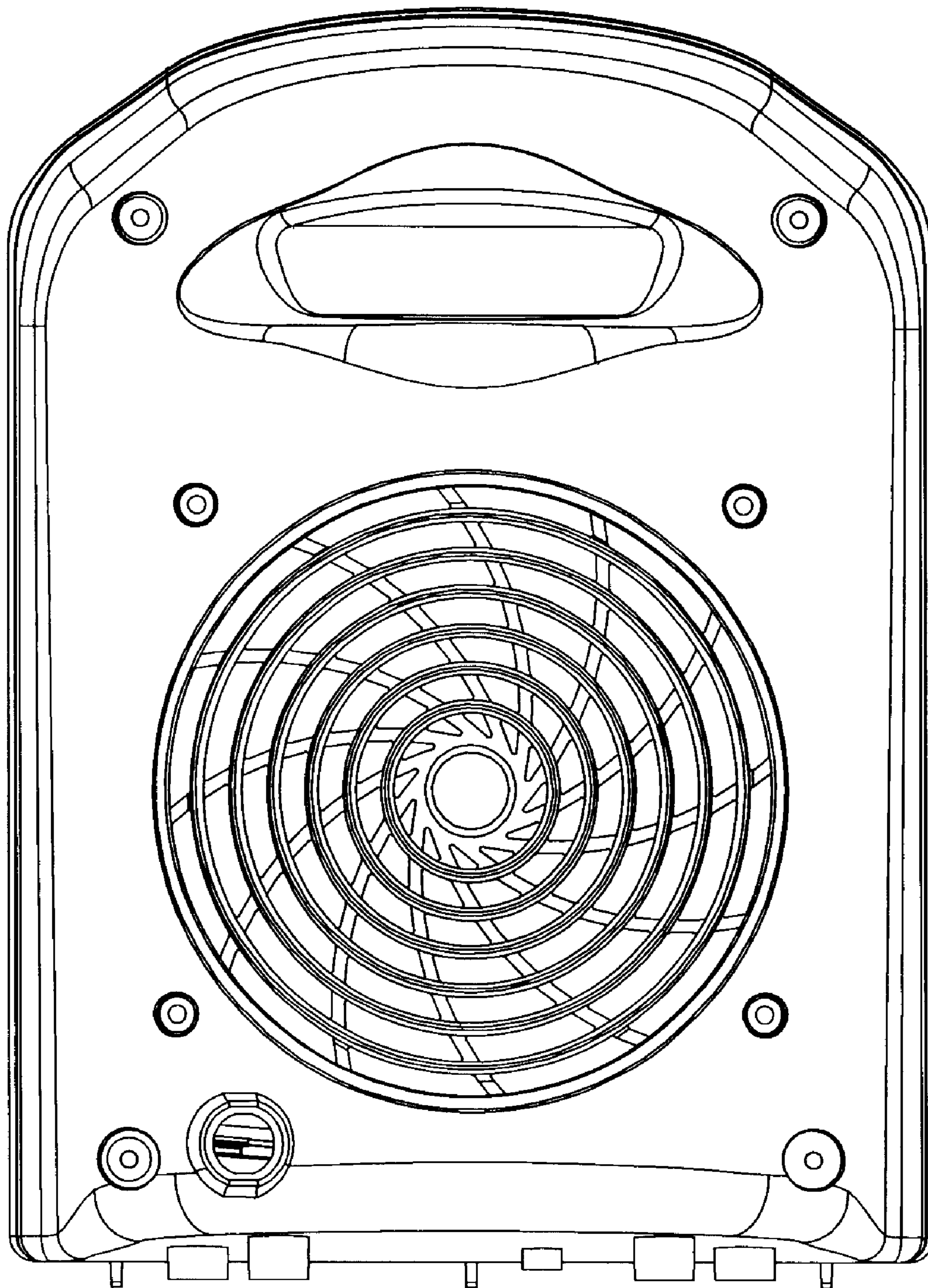


Fig. 3

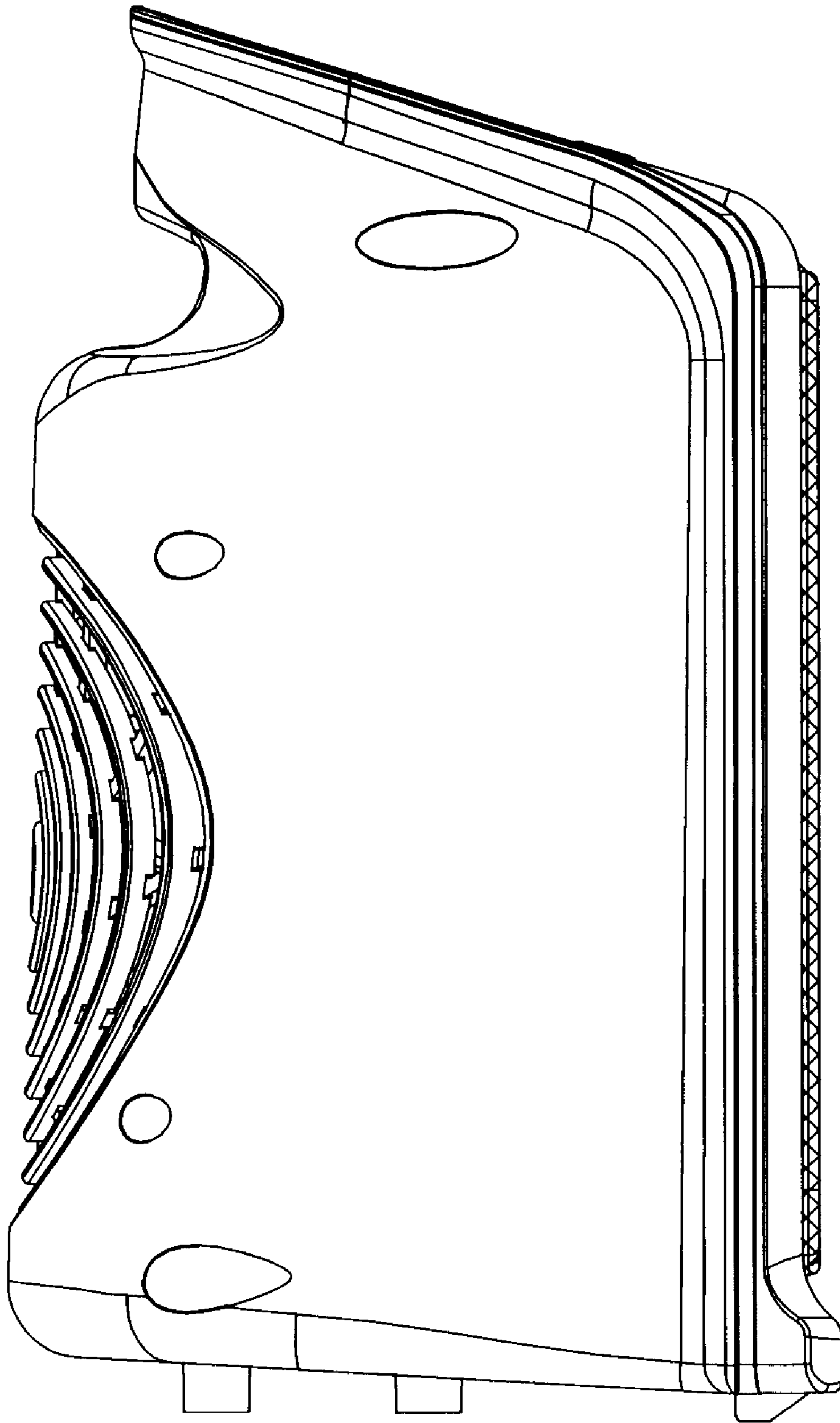


Fig. 4

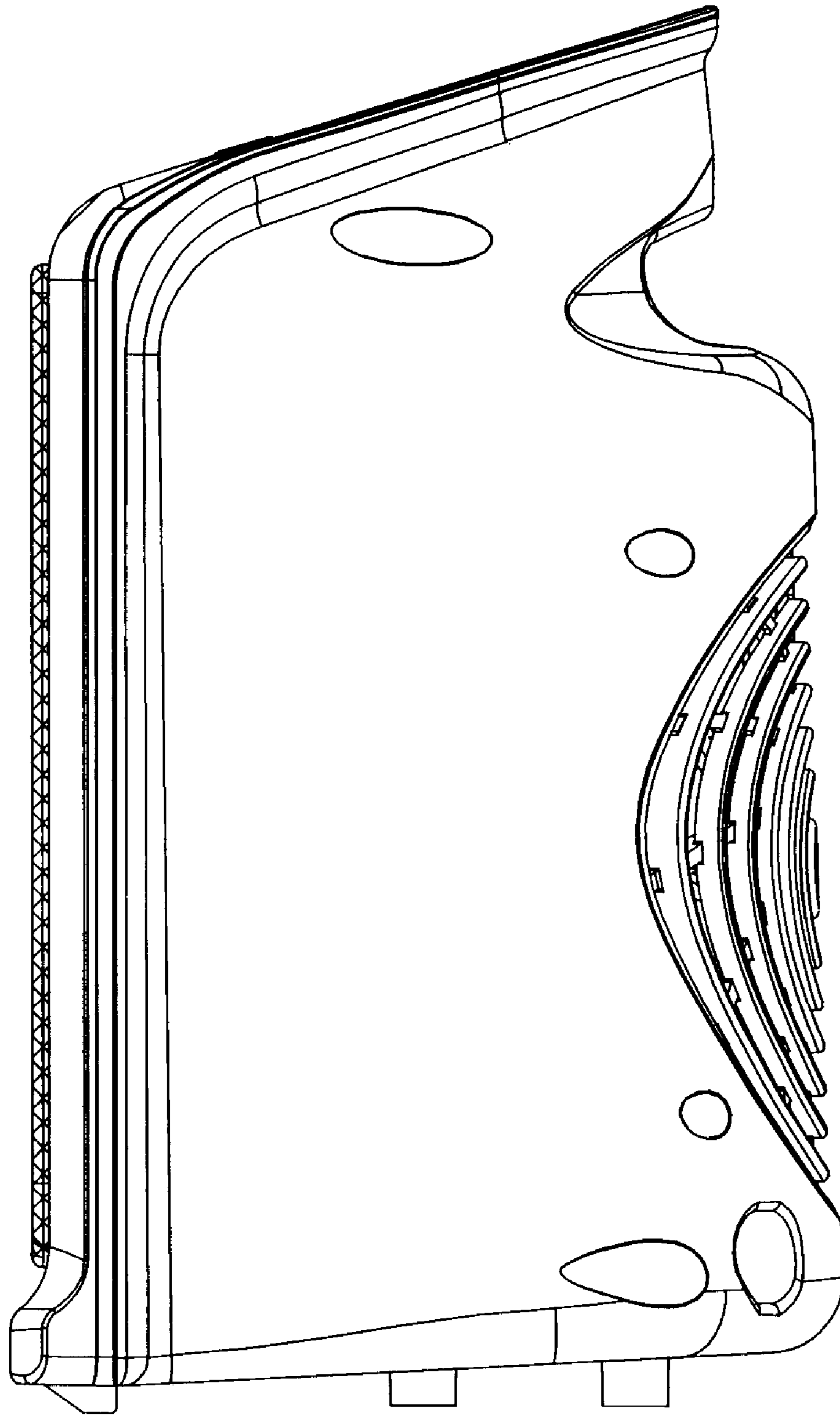


Fig. 5

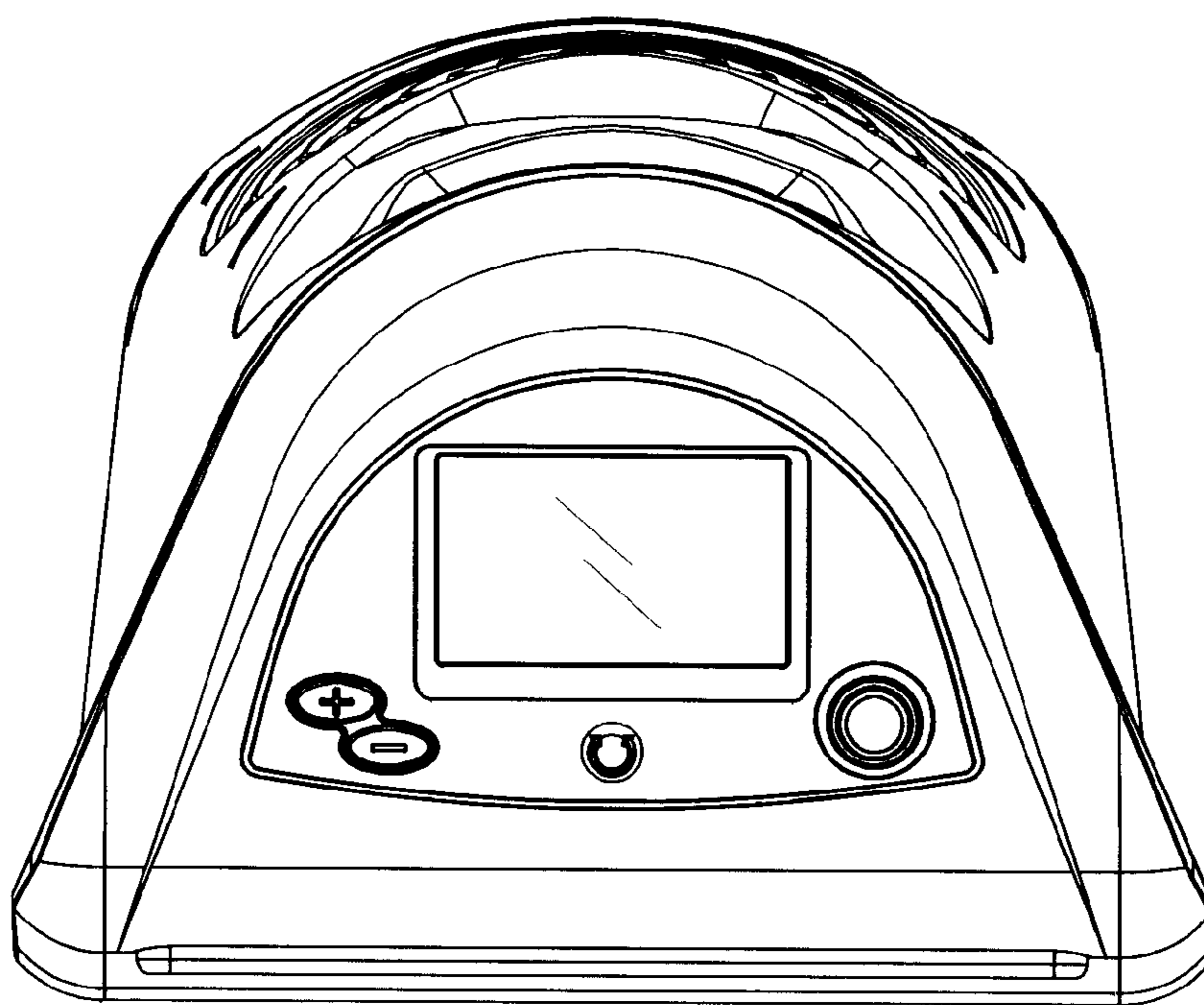


Fig. 6

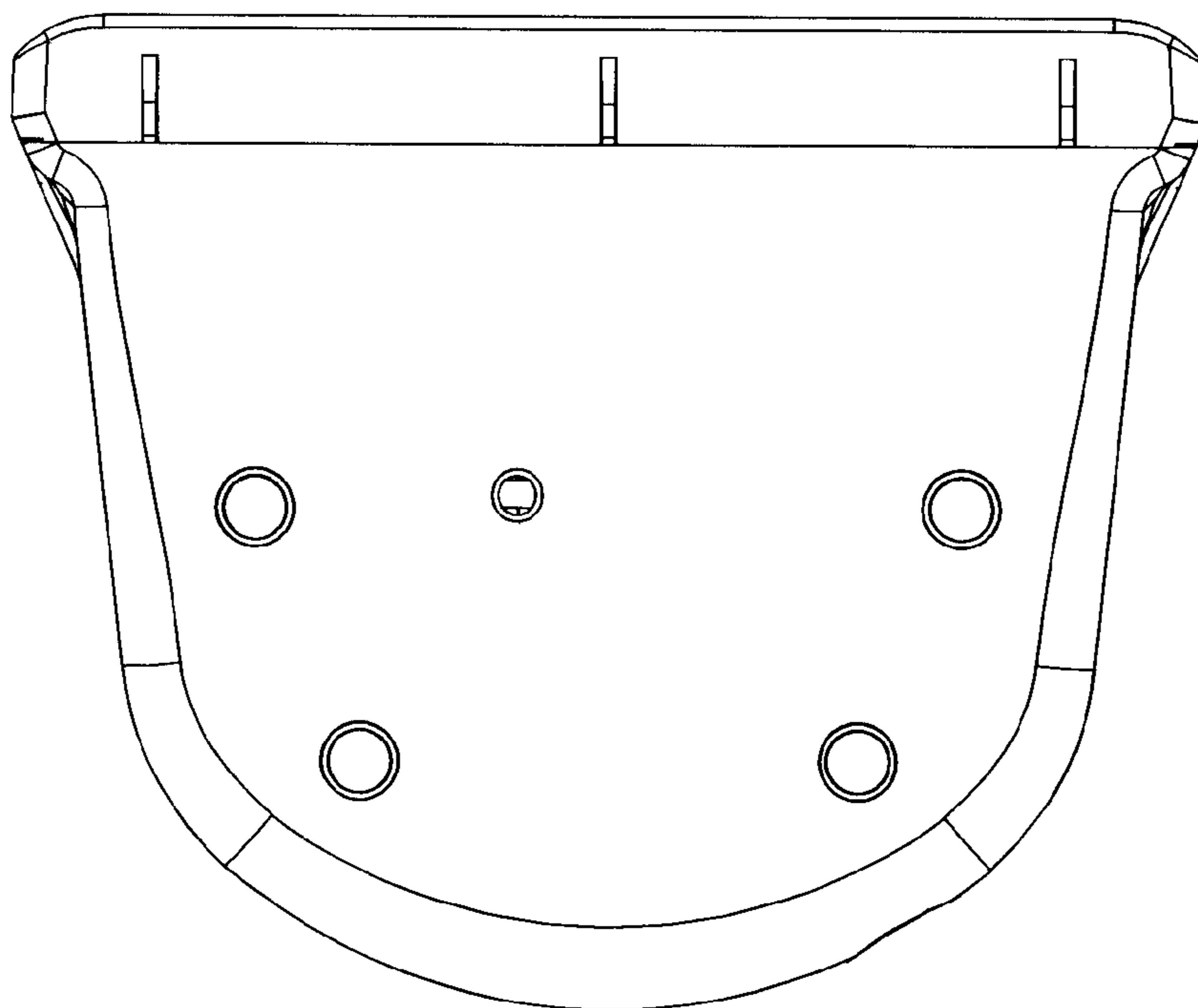


Fig. 7