



US00D532878S

(12) **United States Design Patent**
Cortese

(10) **Patent No.:** **US D532,878 S**

(45) **Date of Patent:** **** Nov. 28, 2006**

(54) **BOILER**

(75) Inventor: **Virginio Cortese**, Turin (IT)

(73) Assignee: **SGL Italia S.r.l.**, Turin (IT)

(**) Term: **14 Years**

(21) Appl. No.: **29/256,588**

(22) Filed: **Mar. 21, 2006**

(30) **Foreign Application Priority Data**

Sep. 23, 2005 (EM) 000406087

(51) **LOC (8) Cl.** **23-03**

(52) **U.S. Cl.** **D23/318**

(58) **Field of Classification Search** D23/314,
D23/318, 319, 332; 392/362, 365-366, 373-376;
237/8 R, 8 B, 9 R, 16, 61-62, 56, 67
See application file for complete search history.

(56) **References Cited**

U.S. PATENT DOCUMENTS

D262,992 S * 2/1982 Owen D23/318

D311,950 S * 11/1990 Excell D23/319

D351,900 S * 10/1994 Prevot D23/318

D356,861 S * 3/1995 Busalt D23/318

D388,868 S * 1/1998 Vago et al. D23/318

D400,971 S * 11/1998 Vago et al. D23/318

D421,107 S * 2/2000 Jackson et al. D23/318

D485,893 S * 1/2004 Du et al. D23/318

D486,896 S * 2/2004 Long et al. D23/318

D486,897 S * 2/2004 Rolph et al. D23/319

* cited by examiner

Primary Examiner—Brian N Vinson

(74) *Attorney, Agent, or Firm*—Mitchell P. Brook; Luce, Forward, Hamilton & Scripps LLP

(57) **CLAIM**

The ornamental design for a boiler, substantially as shown in the accompanying drawings.

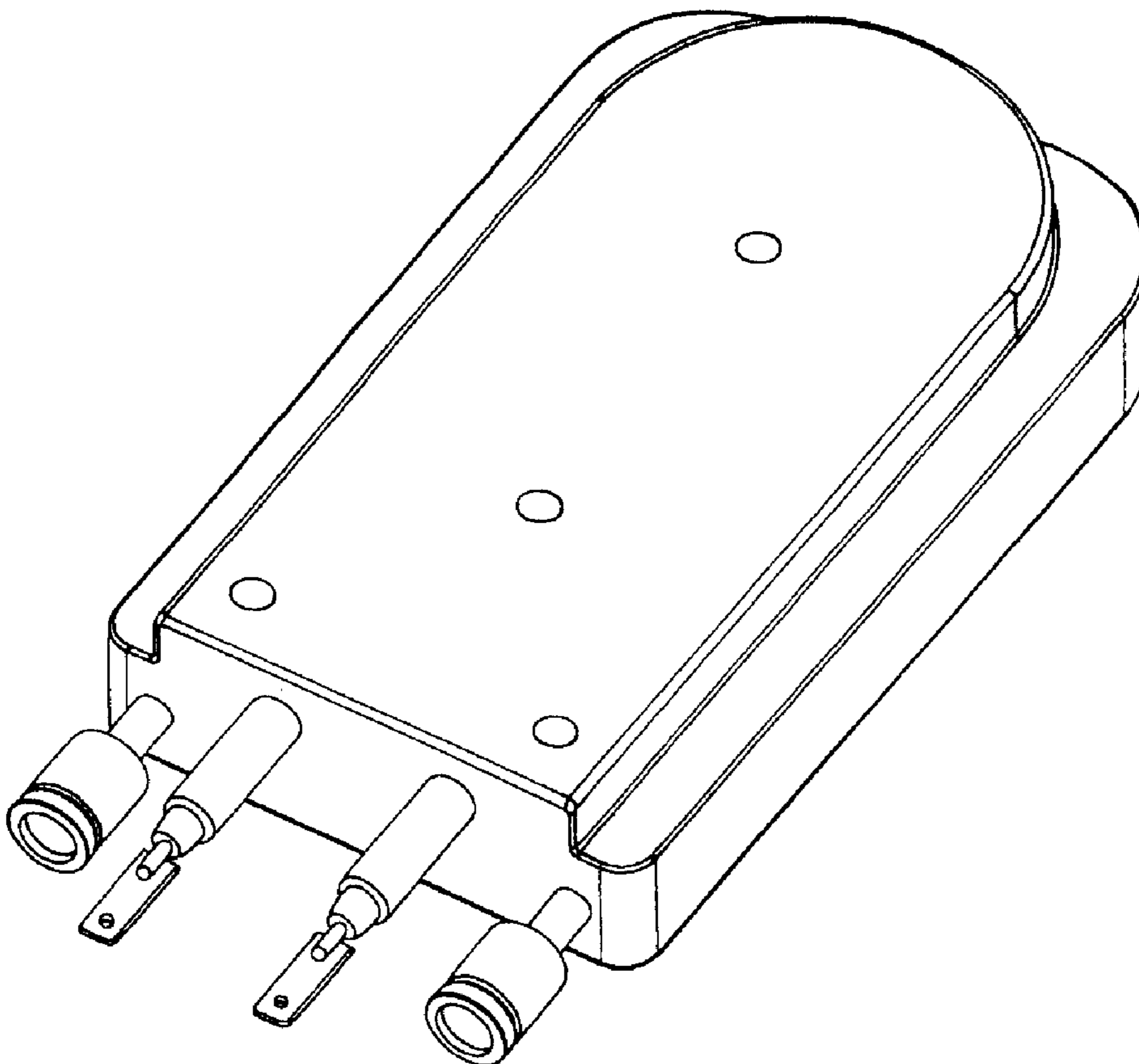
DESCRIPTION

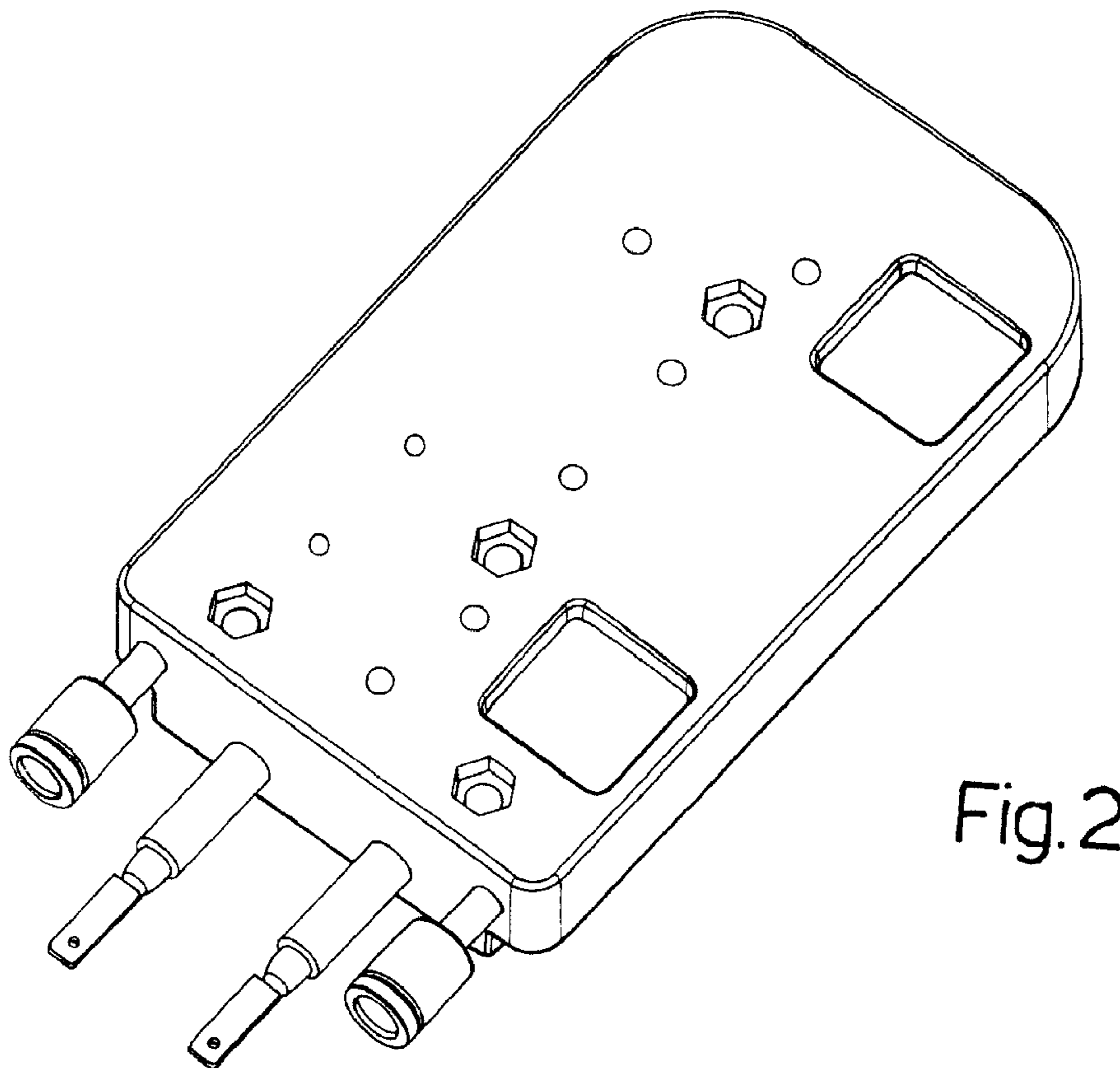
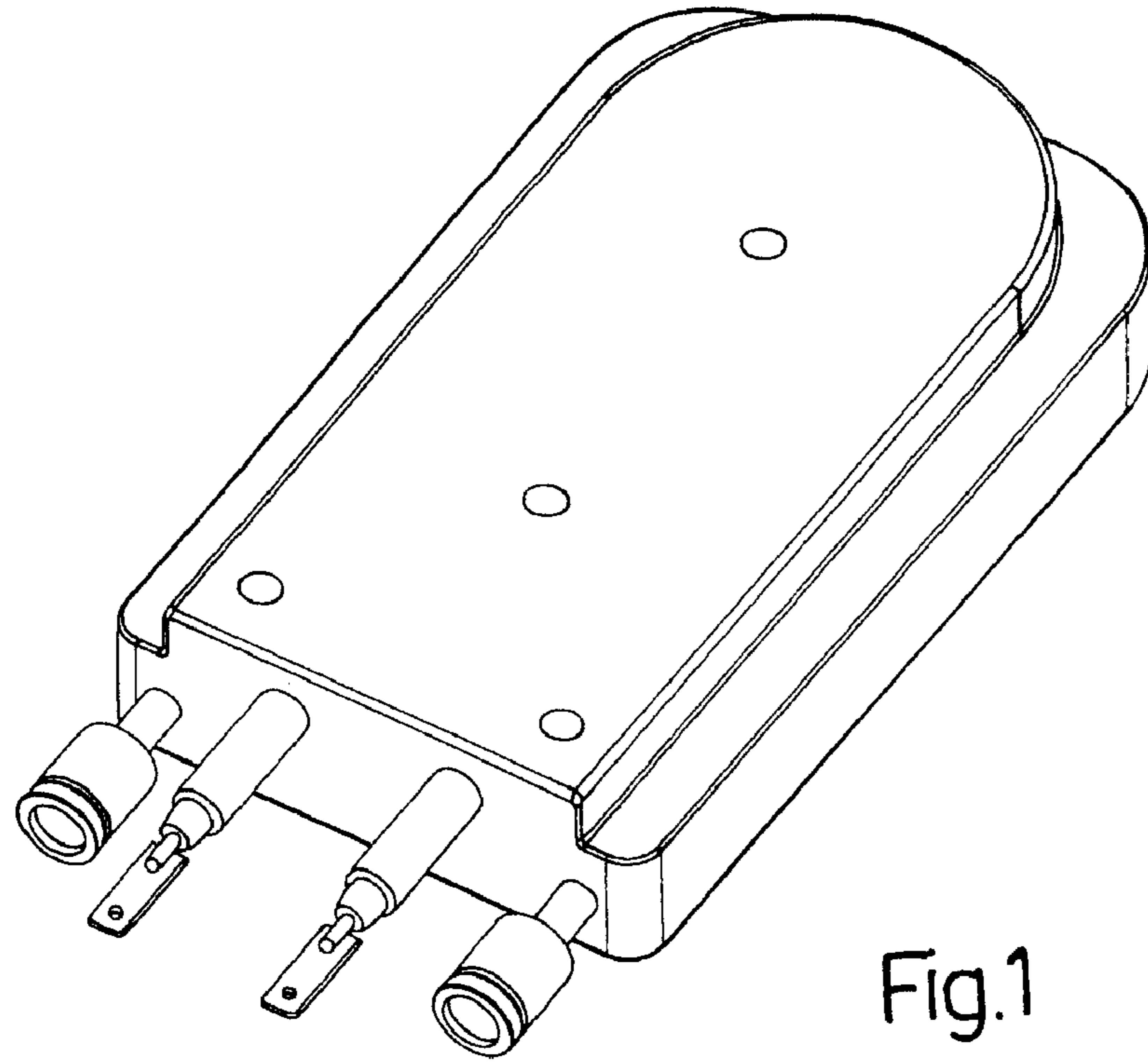
FIG. 1 is a perspective view from above of my new design relating to a boiler;

FIG. 2 is a perspective view from below of my new design; and,

FIG. 3 is a plan view from above of my new design.

1 Claim, 2 Drawing Sheets





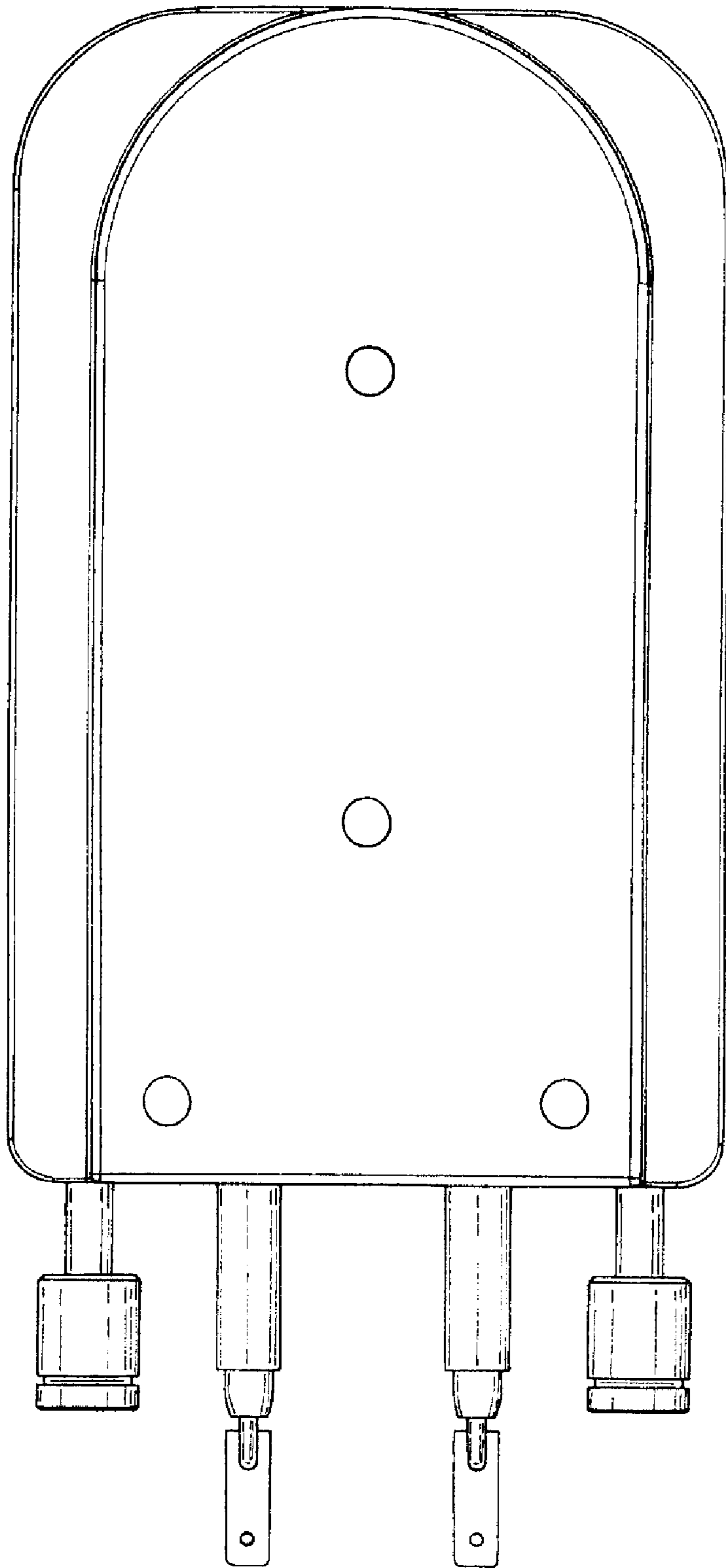


Fig. 3