



US00D532877S

(12) **United States Design Patent**
Hisey

(10) **Patent No.:** **US D532,877 S**

(45) **Date of Patent:** **** Nov. 28, 2006**

(54) **SHOWER BASE**

(75) Inventor: **Christopher B. Hisey**, Plymouth, WI (US)

(73) Assignee: **Kohler Co.**, Kohler, WI (US)

(**) Term: **14 Years**

(21) Appl. No.: **29/242,191**

(22) Filed: **Nov. 7, 2005**

(51) **LOC (8) Cl.** **23-02**

(52) **U.S. Cl.** **D23/304**

(58) **Field of Classification Search** D23/273,
D23/275, 283, 303-305; D24/204; 4/596,
4/612-614, 663, 661, 900
See application file for complete search history.

(56) **References Cited**

U.S. PATENT DOCUMENTS

- D255,829 S * 7/1980 Swenson D23/283
- D351,019 S * 9/1994 Moore et al. D23/283
- D473,293 S * 4/2003 Piatt D23/293.1
- D496,095 S * 9/2004 Rooke et al. D23/304
- D497,417 S * 10/2004 Piatt D23/293.1

OTHER PUBLICATIONS

Sterling Co., Model No. 72131100 “www.sterlingplumbing.com/onlinecatalog/big_image.jsp?rescom=professional&image=aaa03750.jpg&number=72131100&item=134203&description_detail=Ensemble%28TM%29%2C+Series+7213%2C+60%22+Shower+Receptor”.

Kohler Co. 2004 K-700 Design Manual, Model No. K-3159-NA “Poise—Double Equal Undercounter Kitchen Sink”, p. 15.38.

Kohler Co. 2004 K-700 Design Manual, Model No. K-3158-NA “Poise Single Basin Undercounter Kitchen Sink” p. 15.38.

Eijer Company Catalog, Model No. 212-1280, “Monaco Enameled Cast Iron, Self-Rimming, Single-Compartment Kitchen Sink”. No date provided.

* cited by examiner

Primary Examiner—Robert A. Delehanty

(74) *Attorney, Agent, or Firm*—Quarles & Brady LLP

(57) **CLAIM**

The ornamental design for a shower base, as shown and described.

DESCRIPTION

In a preferred embodiment, the nature of this product is as a shower receptor for a shower plumbing fixture.

FIG. 1 is a top, left, front perspective view of a shower base of my new design;

FIG. 2 is a top plan view thereof;

FIG. 3 is a front elevational view thereof;

FIG. 4 is a right side elevational view thereof, the left side elevational view thereof being a mirror image of the right side shown;

FIG. 5 is a rear elevational view thereof;

FIG. 6 is a bottom plan view thereof;

FIG. 7 is a perspective view of another embodiment of the shower base of my new design having a drain cover, the front elevational view, right side elevational view and rear elevational view thereof are identical to FIGS. 3-5; and, FIG. 8 is a top plan view thereof.

The broken line representations of a drain in the FIGS. 1-6 and wall structure in FIGS. 1-5 and 7 and 8 are for the purpose of illustration only, and form no part of the claimed design.

1 Claim, 3 Drawing Sheets

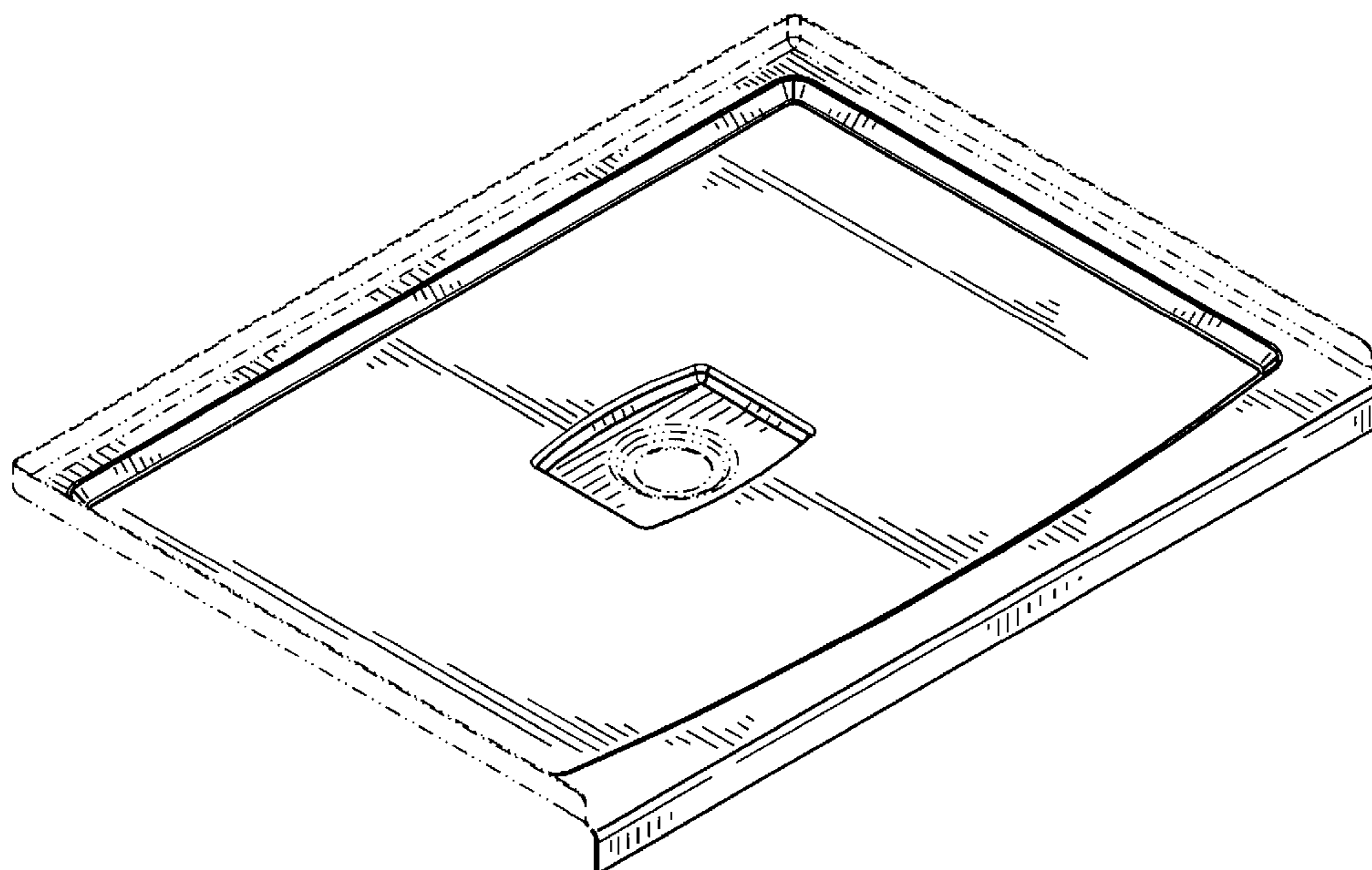


FIG. 1

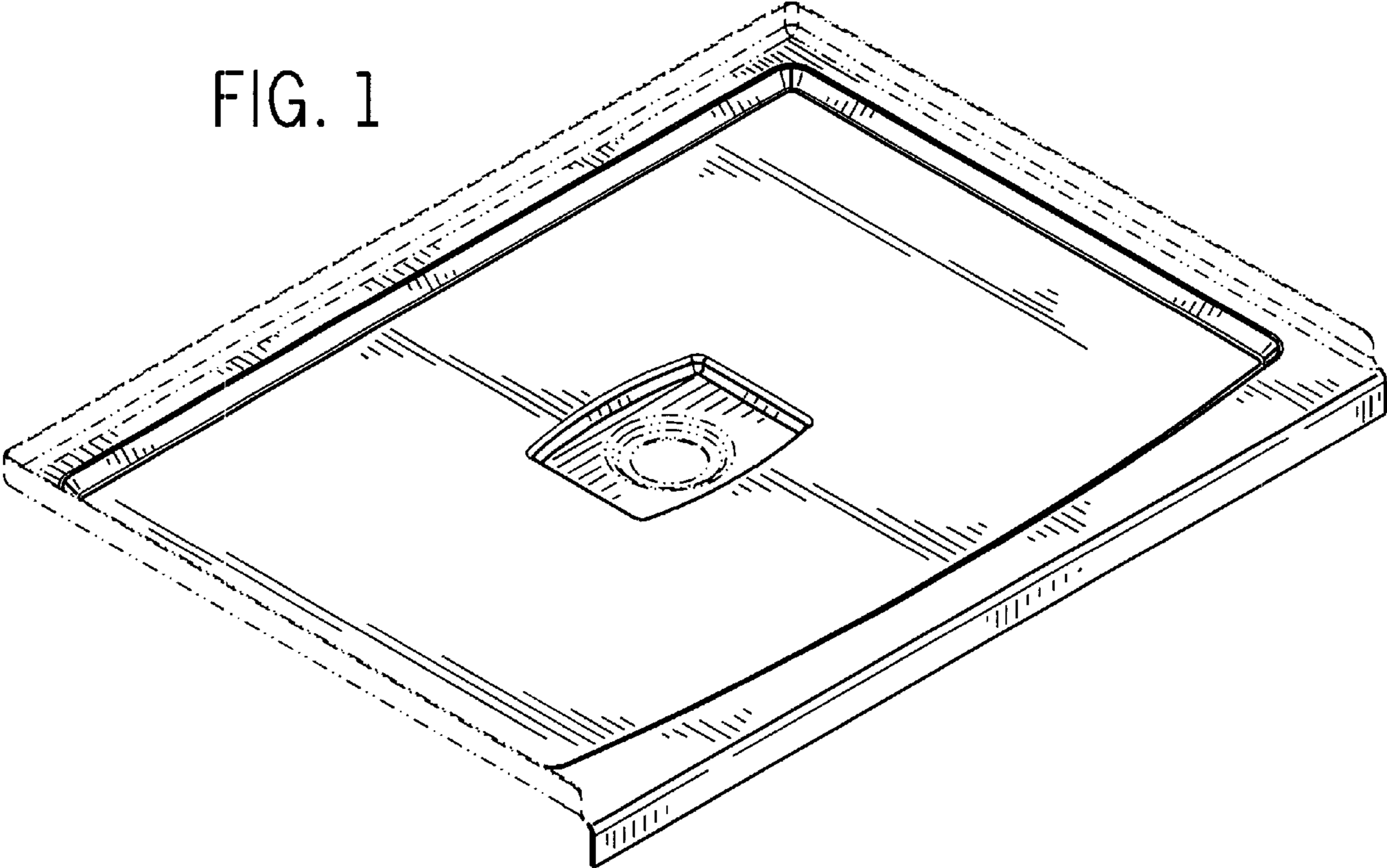


FIG. 2

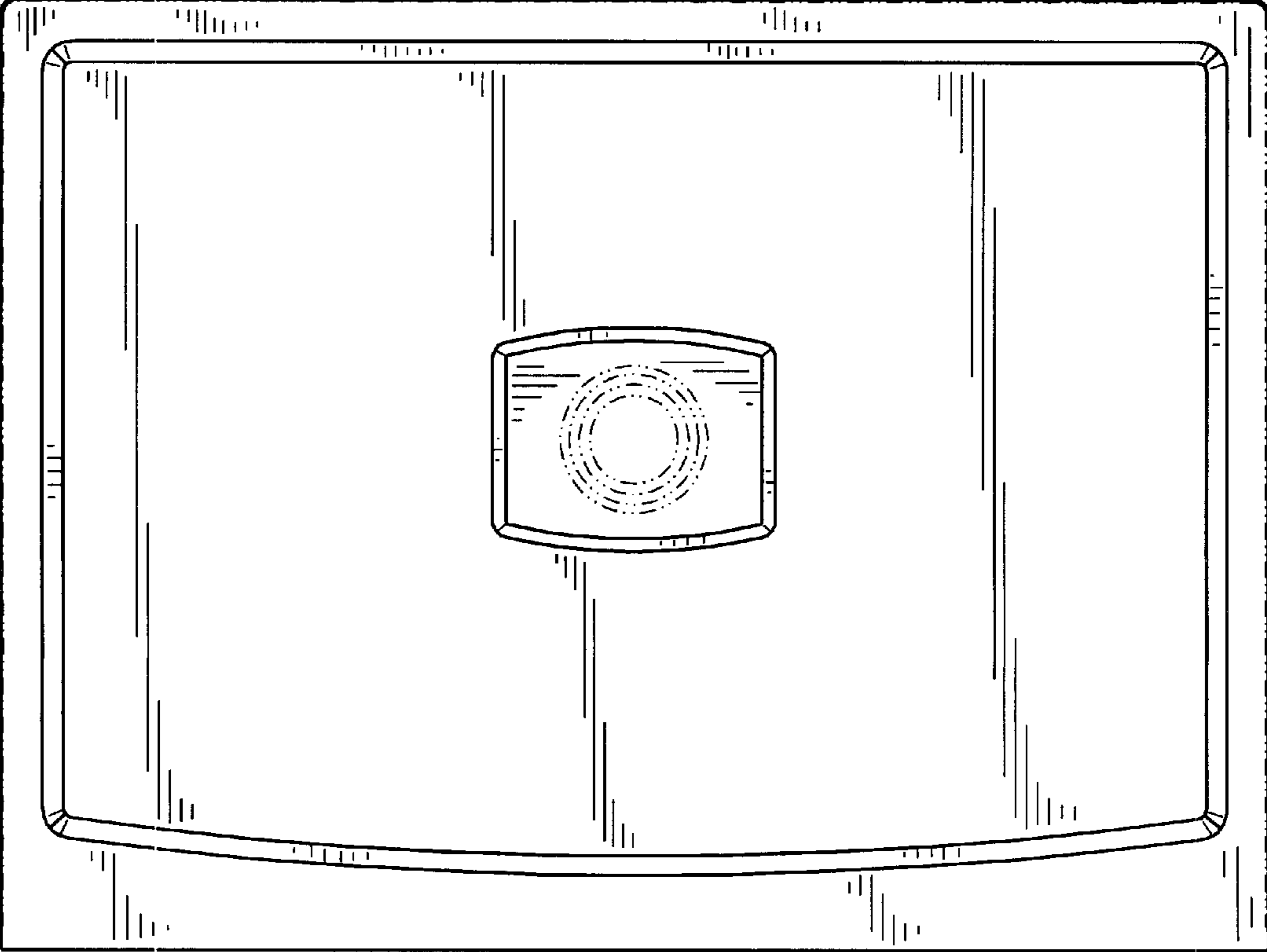


FIG. 3

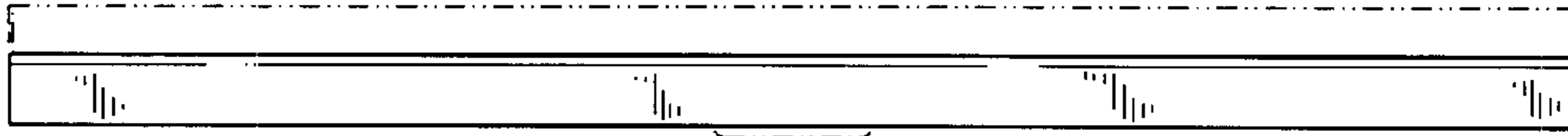


FIG. 4

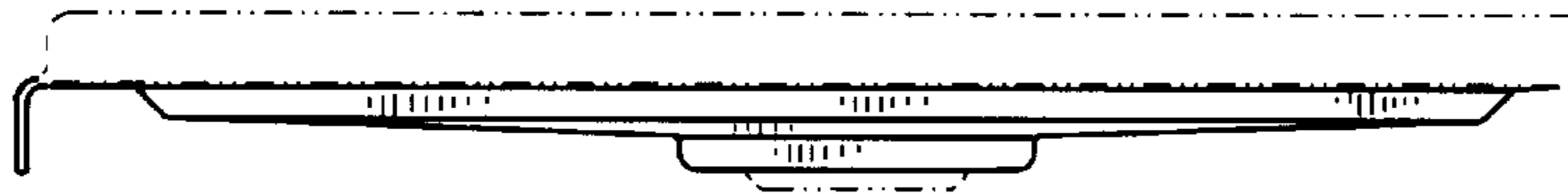


FIG. 5

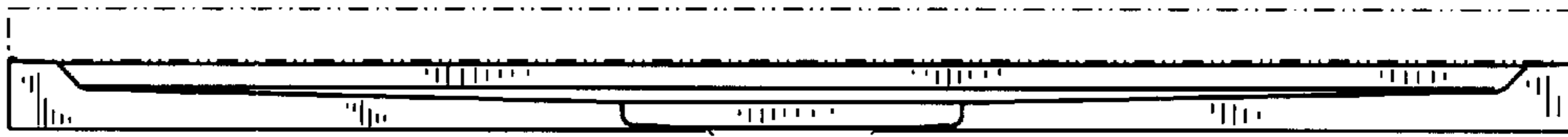


FIG. 6

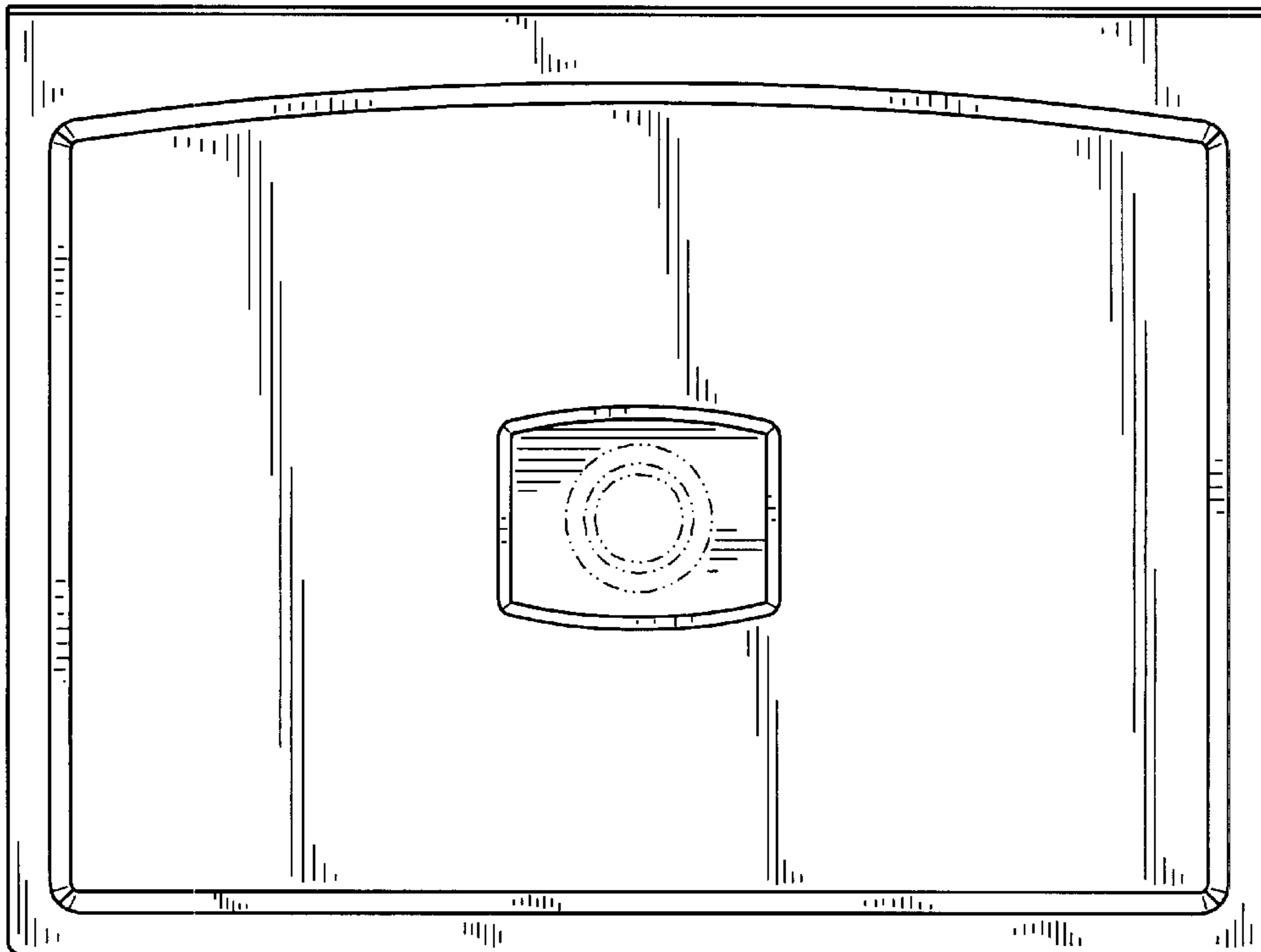


FIG. 7

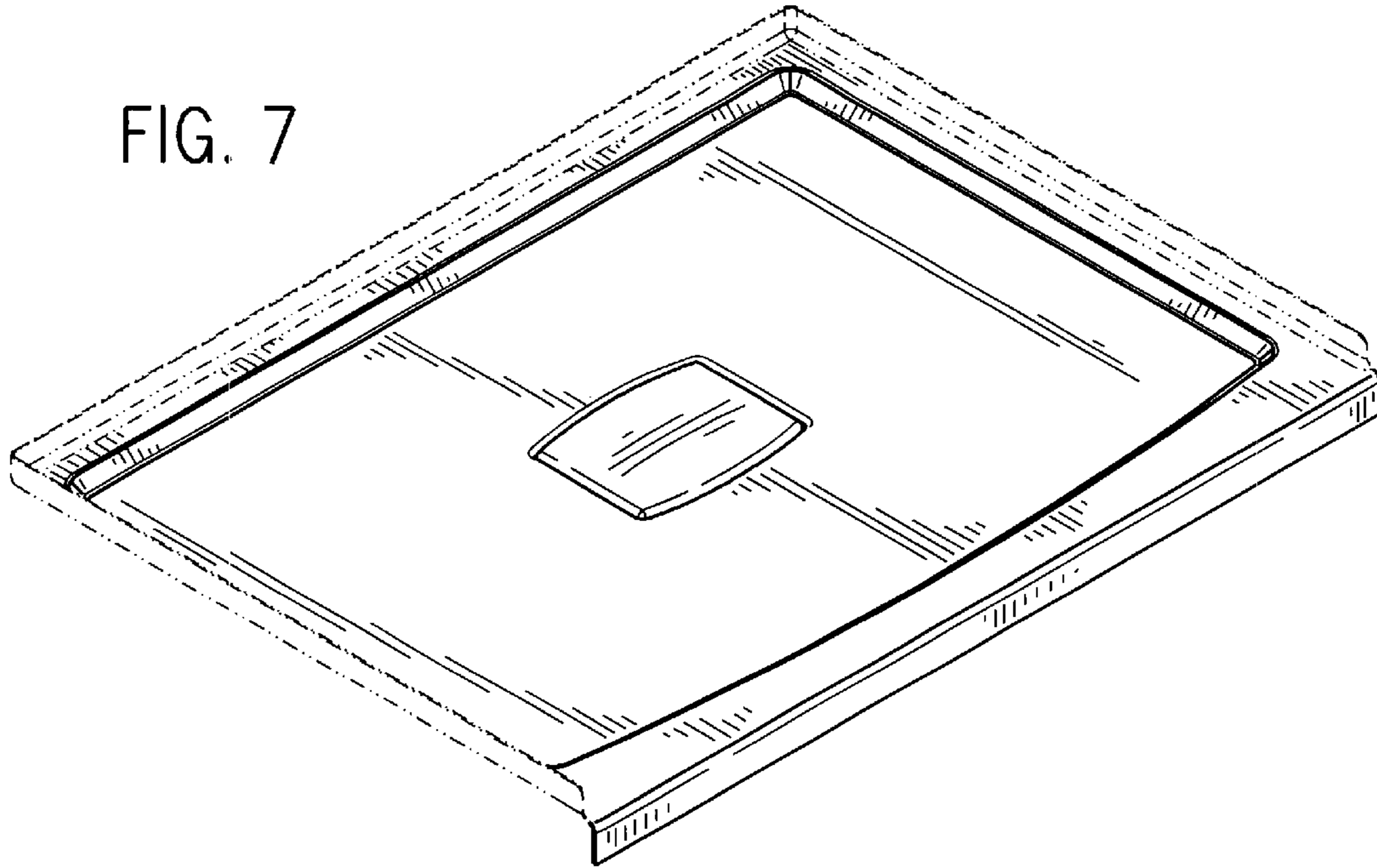


FIG. 8

