



US00D532876S

(12) **United States Design Patent**
Starck

(10) **Patent No.:** **US D532,876 S**

(45) **Date of Patent:** **** Nov. 28, 2006**

(54) **SHOWER STAND**

(75) Inventor: **Philippe Starck**, Paris (FR)

(73) Assignee: **Hansgrohe AG** (DE)

(**) Term: **14 Years**

(21) Appl. No.: **29/230,778**

(22) Filed: **May 26, 2005**

(30) **Foreign Application Priority Data**

Dec. 3, 2004 (EM) 000262951-0001

(51) **LOC (8) Cl.** **23-02**

(52) **U.S. Cl.** **D23/304; D23/228**

(58) **Field of Classification Search** D23/213,
D23/223, 226, 228, 303-304, 283; D6/417;
4/552, 567, 570

See application file for complete search history.

(56) **References Cited**

U.S. PATENT DOCUMENTS

D415,263 S * 10/1999 Starck D23/304
D424,177 S * 5/2000 Starck D23/283
D435,891 S * 1/2001 Raffo D23/283

D454,620 S * 3/2002 Starck D23/228
D466,992 S * 12/2002 Tse D23/304
D478,377 S * 8/2003 Starck D23/304
D500,358 S * 12/2004 Haug et al. D23/304

* cited by examiner

Primary Examiner—Robin Webster

(74) *Attorney, Agent, or Firm*—Kwadjo Adusei-Poku;
Lloyd D. Doigan

(57) **CLAIM**

The ornamental design for a shower stand, as shown and described.

DESCRIPTION

FIG. 1 is a front perspective view of a shower stand showing my new design;

FIG. 2 is a front elevational view thereof;

FIG. 3 is a rear elevational view thereof;

FIG. 4 is a left side elevational view thereof;

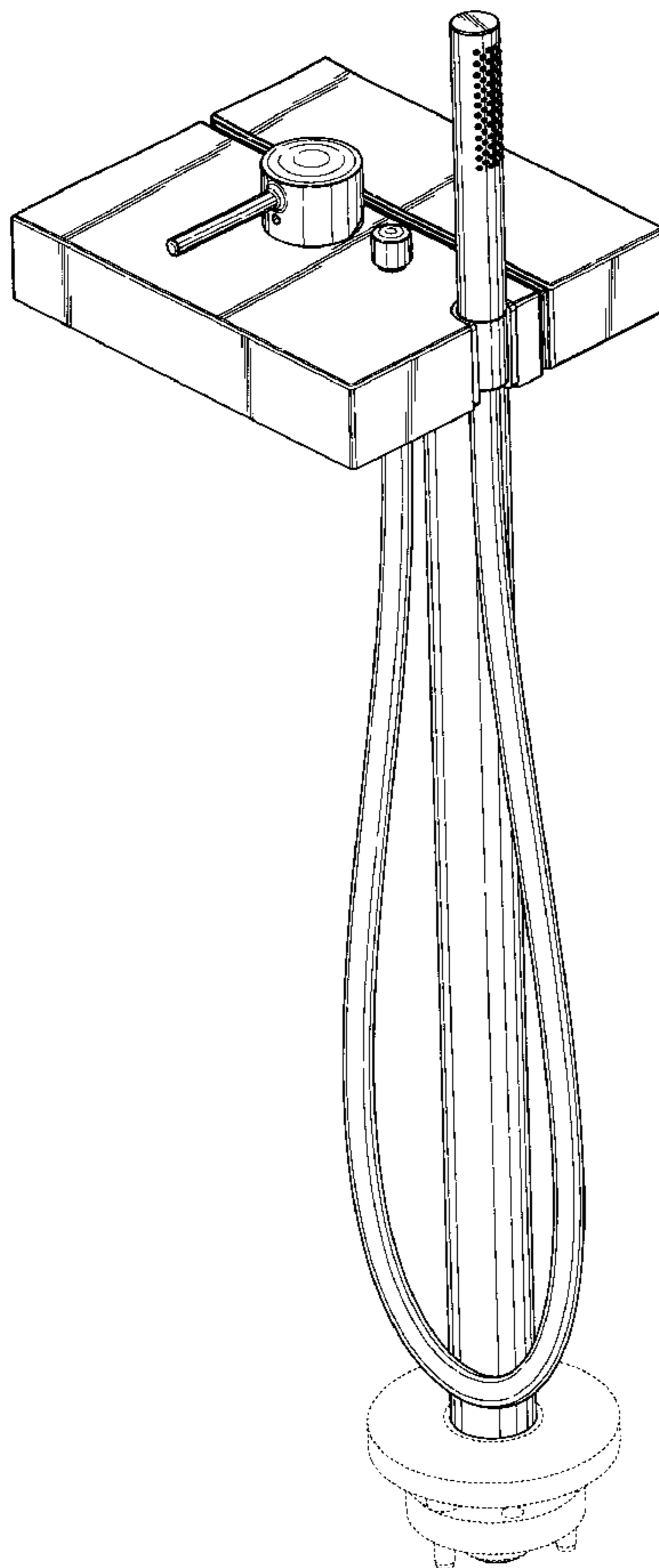
FIG. 5 is a right side elevational view thereof

FIG. 6 is a top plan view thereof; and,

FIG. 7 is a bottom plan view thereof.

The broken lines in the Figures are for illustrative purposes only and form no part of the claimed design.

1 Claim, 5 Drawing Sheets



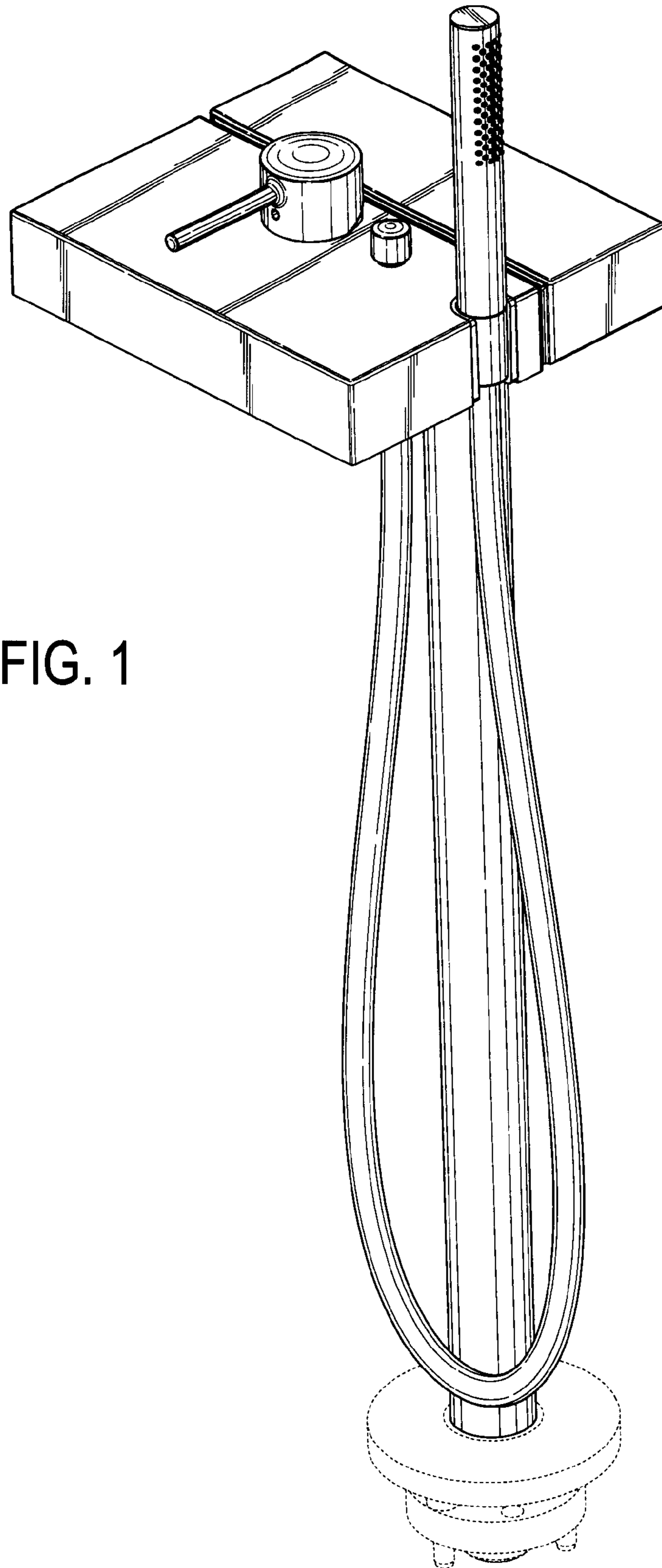


FIG. 1

FIG. 2

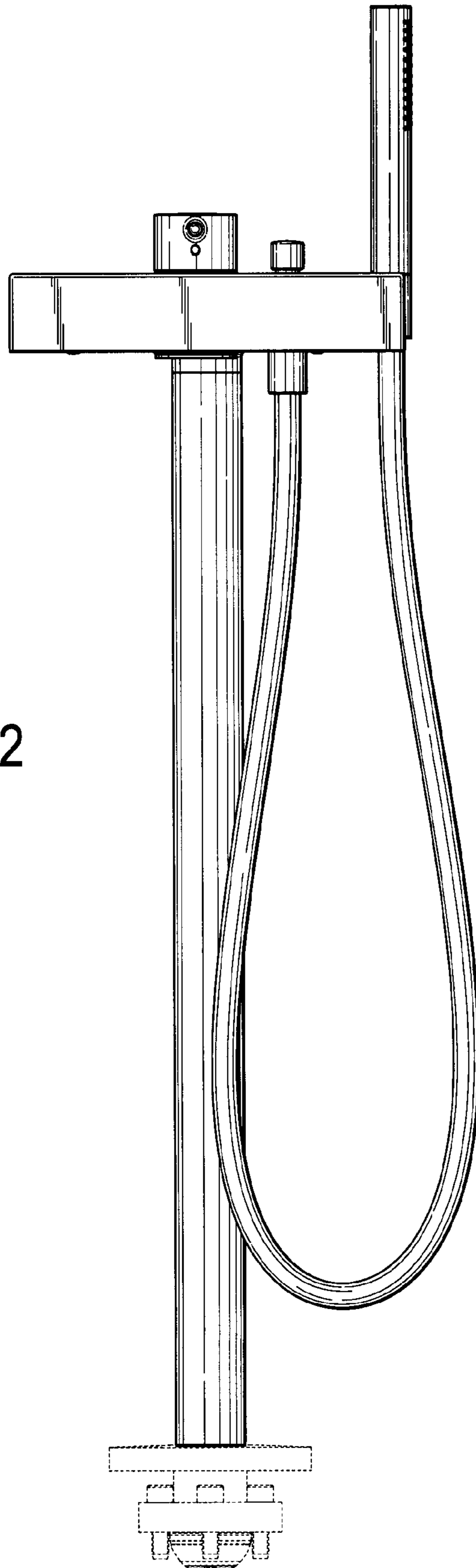
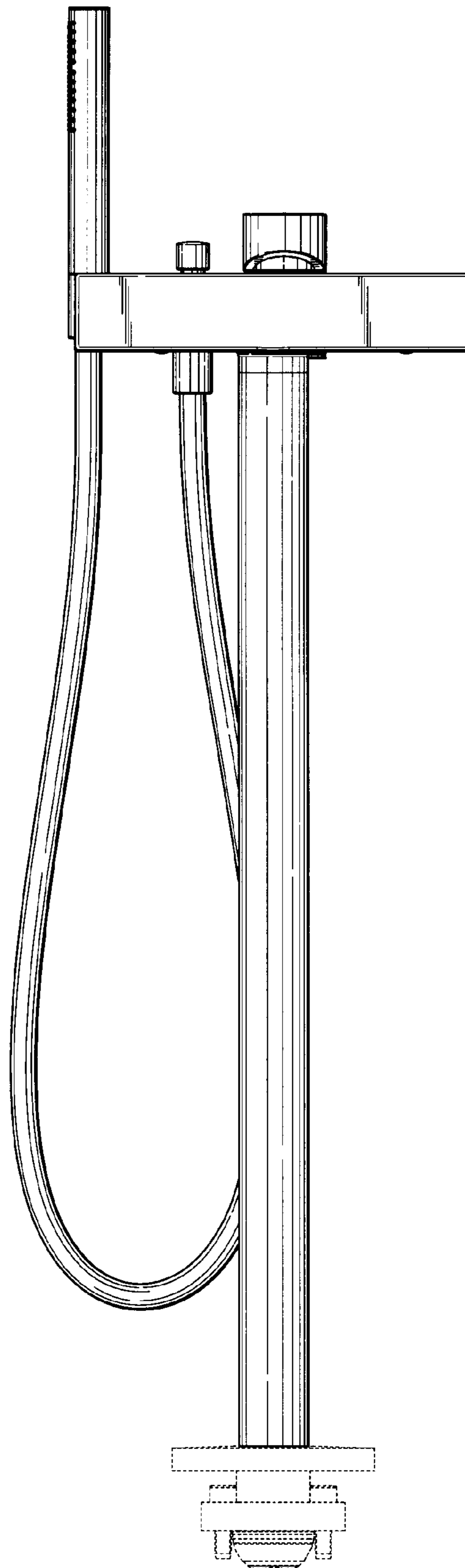


FIG. 3



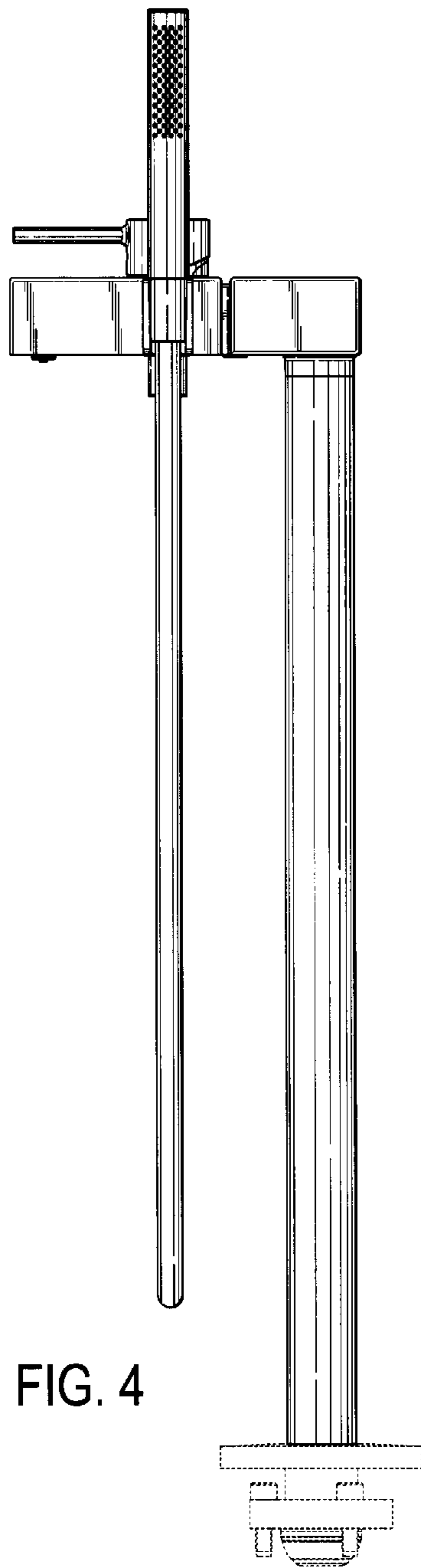


FIG. 4

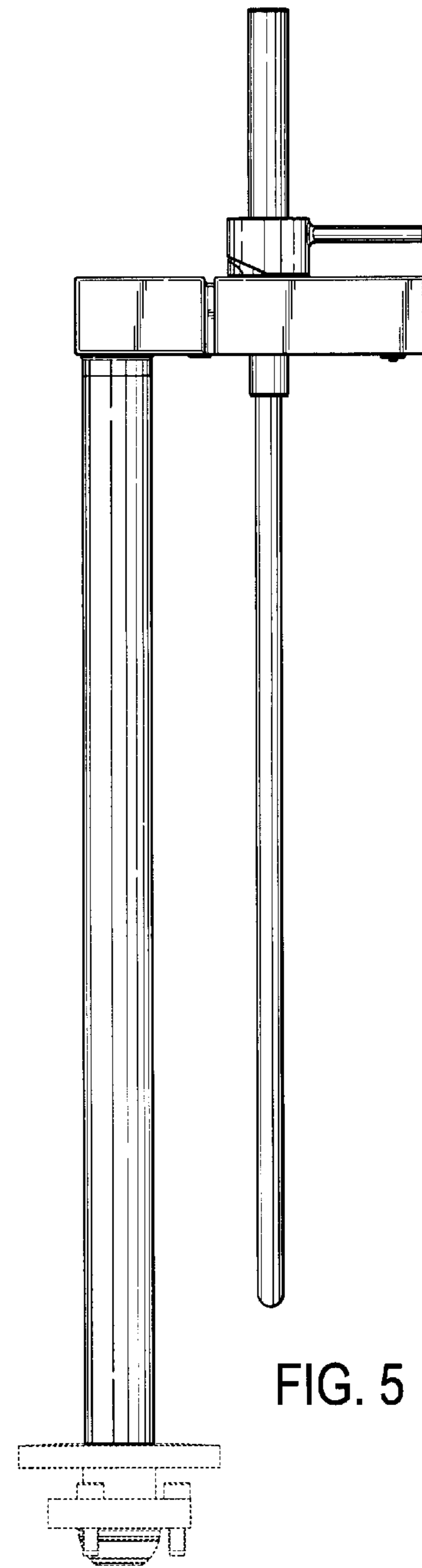


FIG. 5

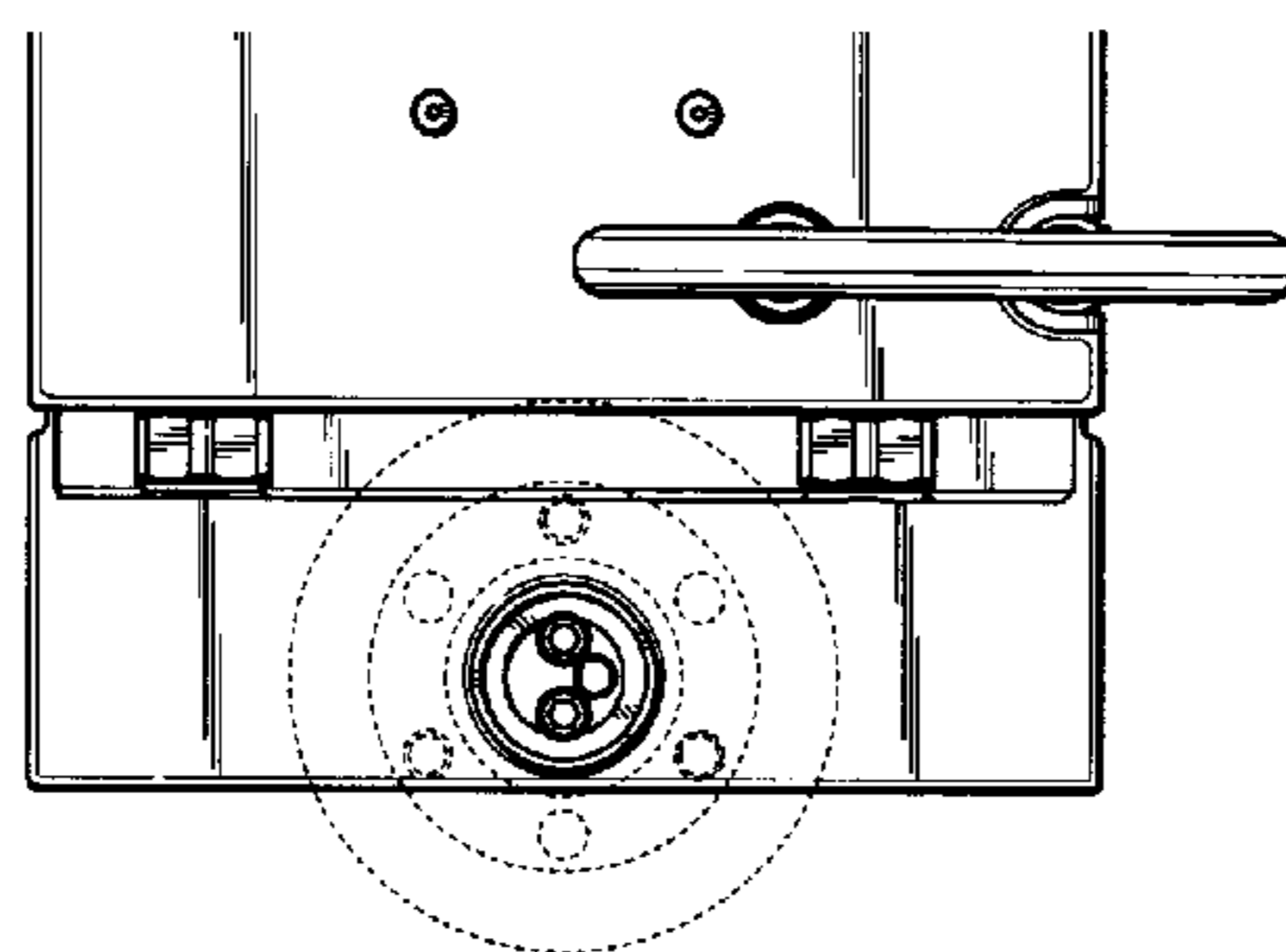


FIG. 6

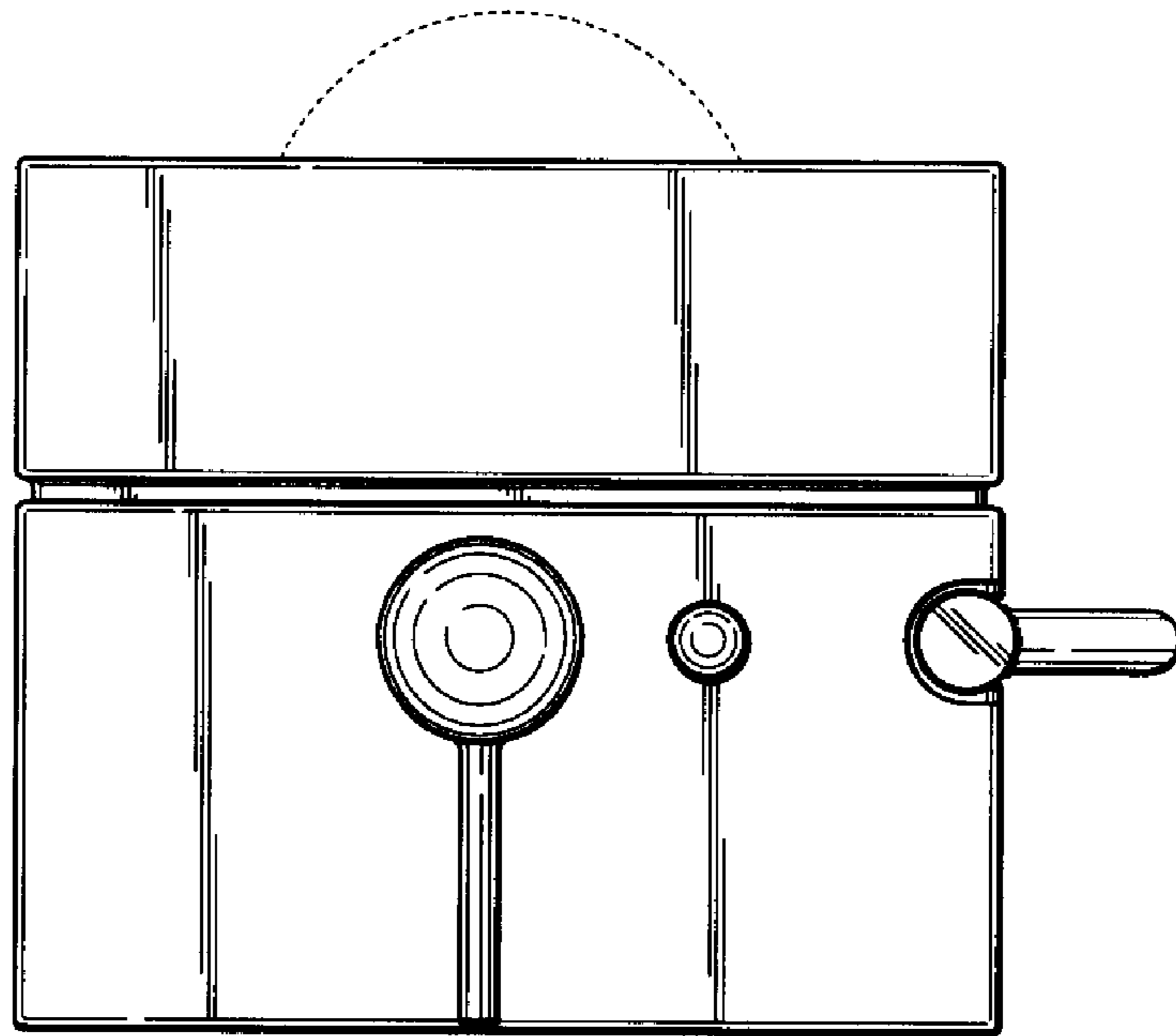


FIG. 7

