

US00D532875S

(12) **United States Design Patent**
Kaule

(10) **Patent No.:** **US D532,875 S**

(45) **Date of Patent:** **** Nov. 28, 2006**

(54) **WATER CLOSET**

(75) Inventor: **Brian M. Kaule**, Sheboygan, WI (US)

(73) Assignee: **Kohler Co.**, Kohler, WI (US)

(**) Term: **14 Years**

(21) Appl. No.: **29/217,950**

(22) Filed: **Nov. 23, 2004**

(51) **LOC (8) Cl.** **23-02**

(52) **U.S. Cl.** **D23/301**

(58) **Field of Classification Search** D23/273-274,
D23/295-301, 303, 309, 313; 4/663-665,
4/300-300.3, 312-313, 328-329, 353, 420,
4/443-446, 449, 459-460, 479-480, 902,
4/905, DIG. 11, DIG. 12, DIG. 15
See application file for complete search history.

(56) **References Cited**

U.S. PATENT DOCUMENTS

D439,638 S * 3/2001 Hundley D23/295
D514,208 S * 1/2006 Gordon D23/301

OTHER PUBLICATIONS

Kohler website page, Cimarron Comfort Height Elongated Two-Piece Toilet.

Kohler website page, Wellworth Elongated Toilet.
Toto website page, picture of one-piece toilet.

* cited by examiner

Primary Examiner—Robert A. Delehanty

(74) *Attorney, Agent, or Firm*—Quarles & Brady LLP

(57) **CLAIM**

The ornamental design for a water closet, as shown and described.

DESCRIPTION

In a preferred embodiment, the nature of this product is a plumbing fixture which is primarily useful for receiving the liquid and solid waste of humans.

FIG. 1 is a right, top, front perspective view of a water closet embodying my new design;

FIG. 2 is a top plan view thereof;

FIG. 3 is a right side elevational view thereof;

FIG. 4 is a front elevational view thereof;

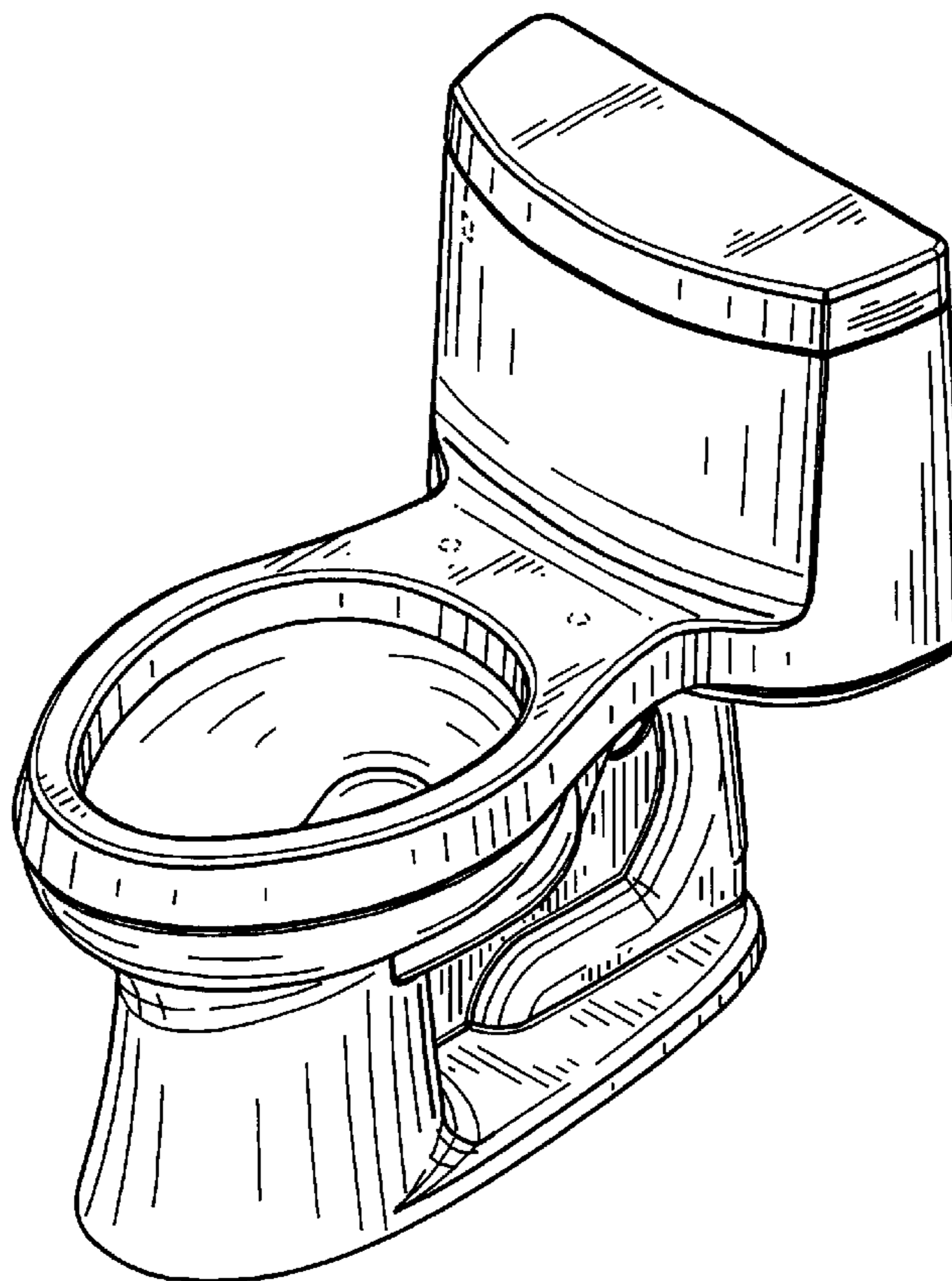
FIG. 5 is a left side elevation view thereof;

FIG. 6 is a rear elevational view thereof; and,

FIG. 7 is bottom plan view thereof.

The broken line representations of holes FIGS. 1 and 2, handle environment in FIGS. 1-2 and 4-5 and internal features in FIG. 7 are for the purpose of illustration only, and form no part of the claimed design.

1 Claim, 4 Drawing Sheets



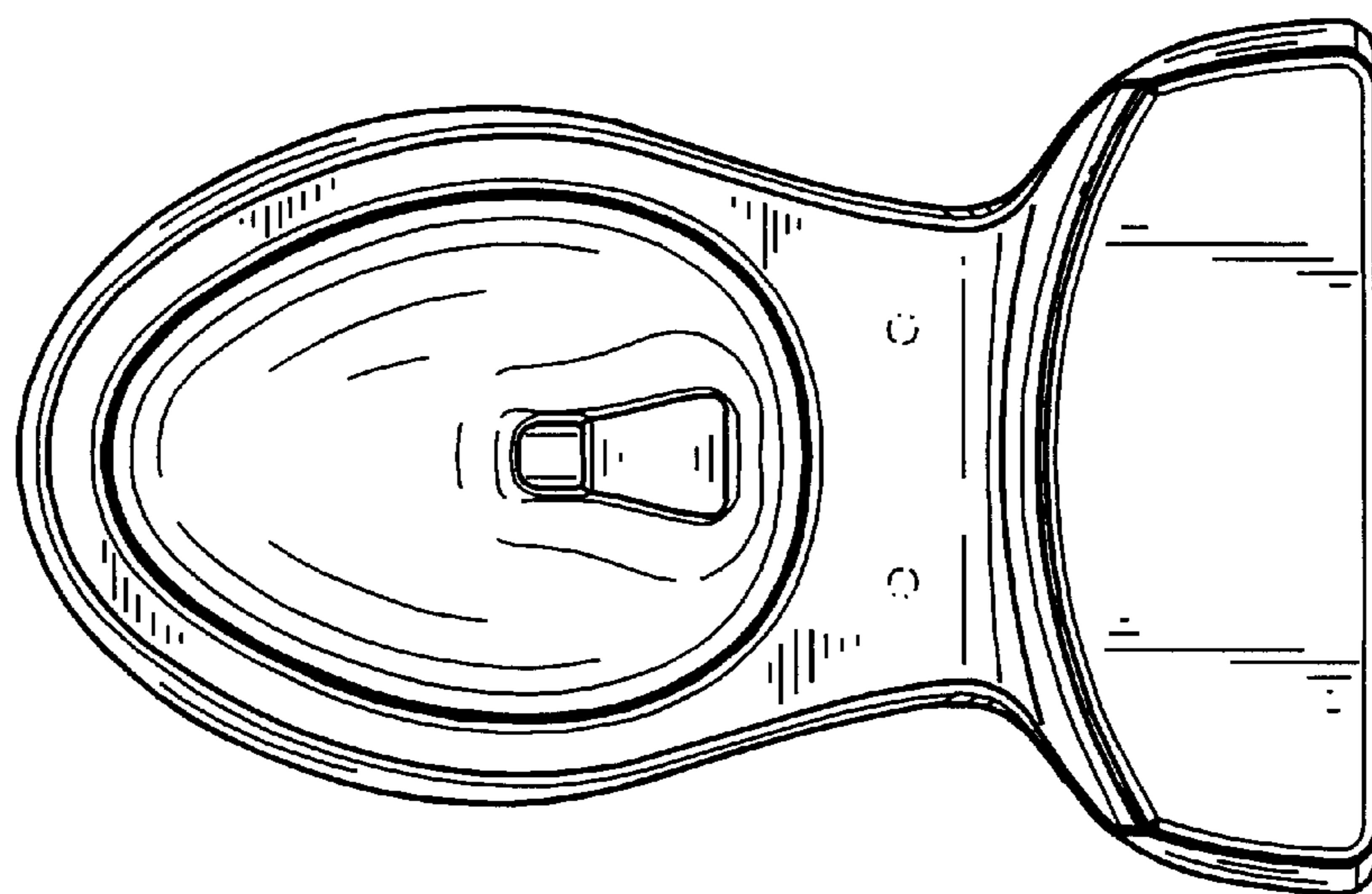
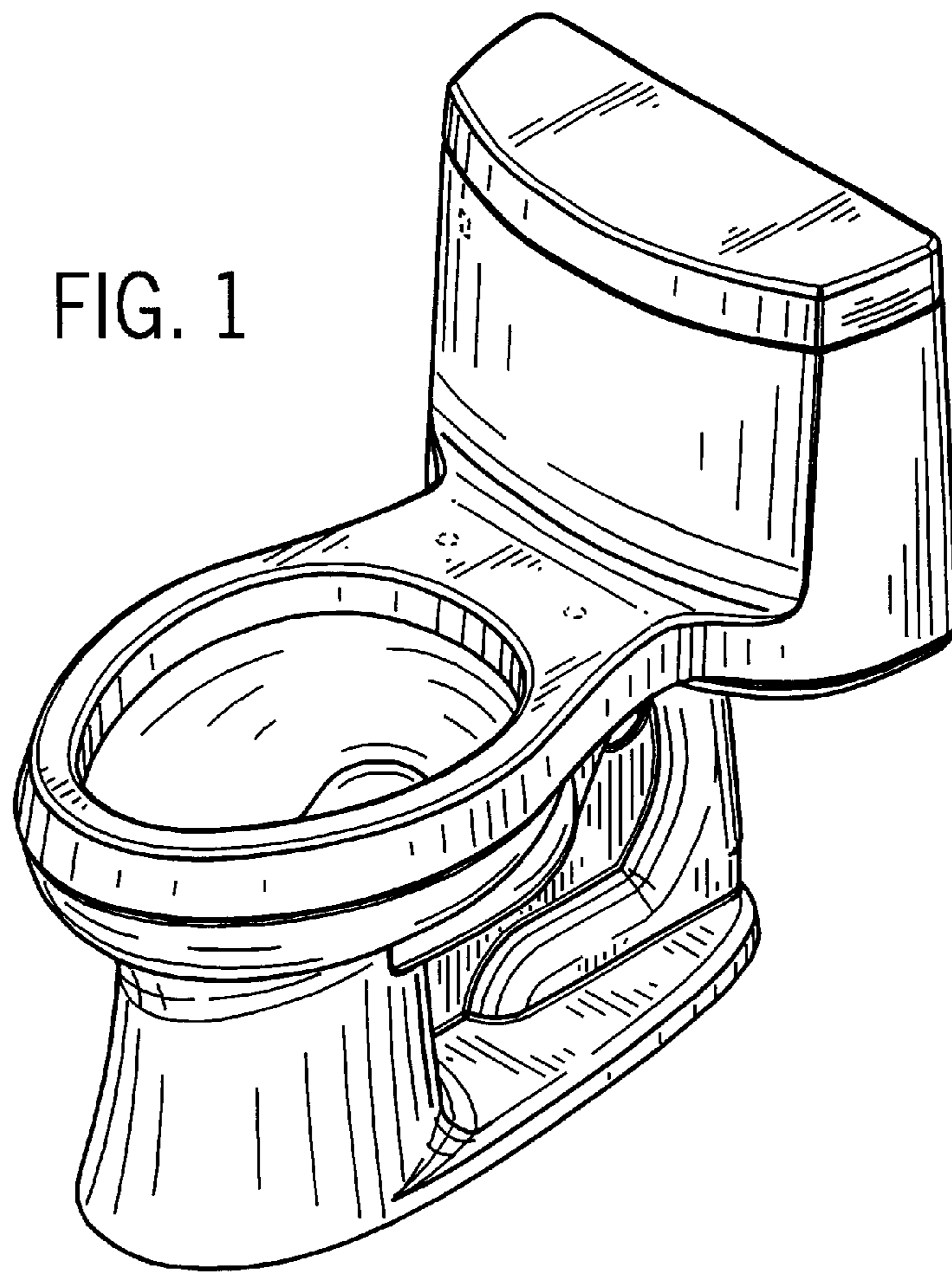


FIG. 2

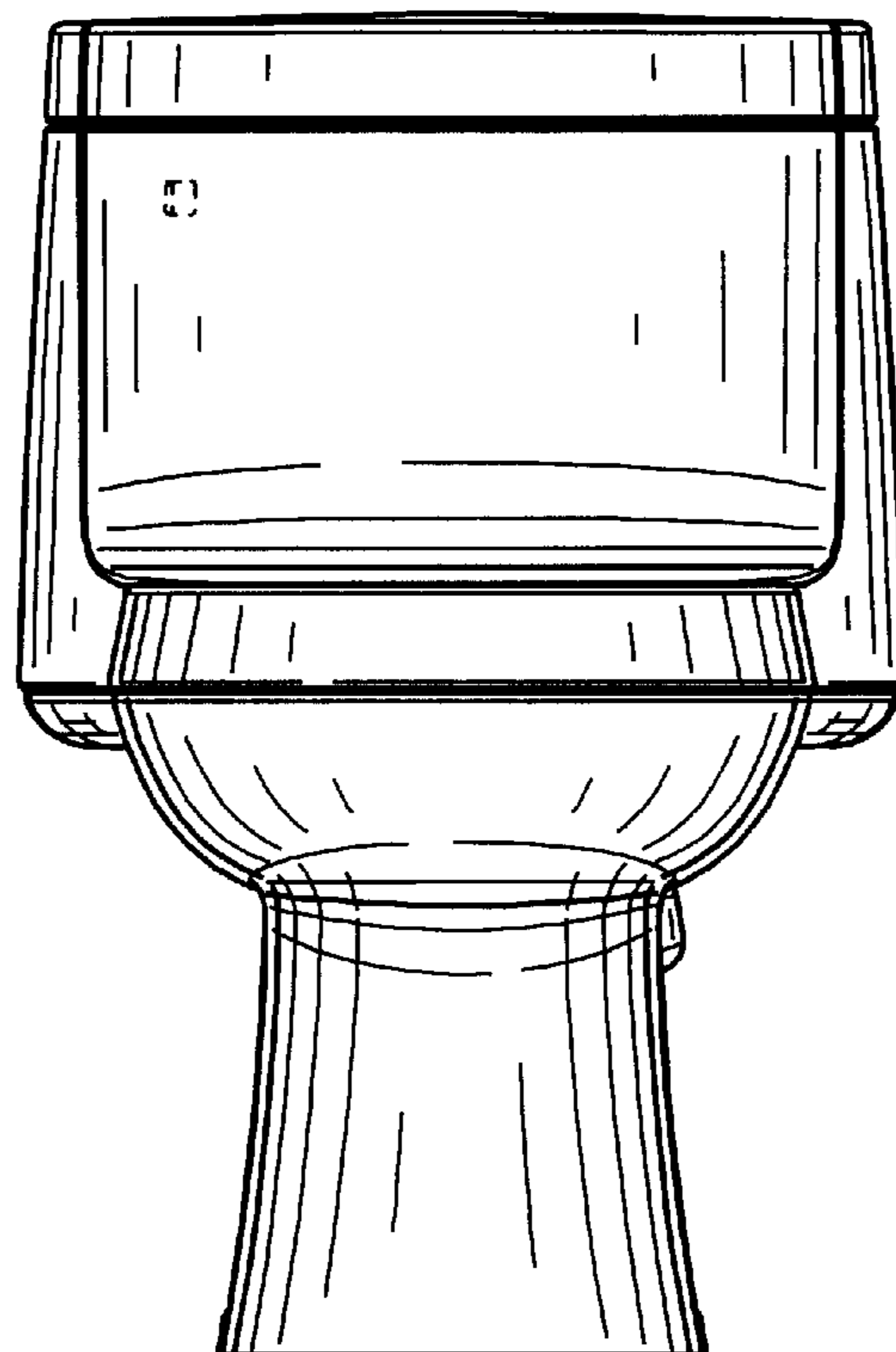
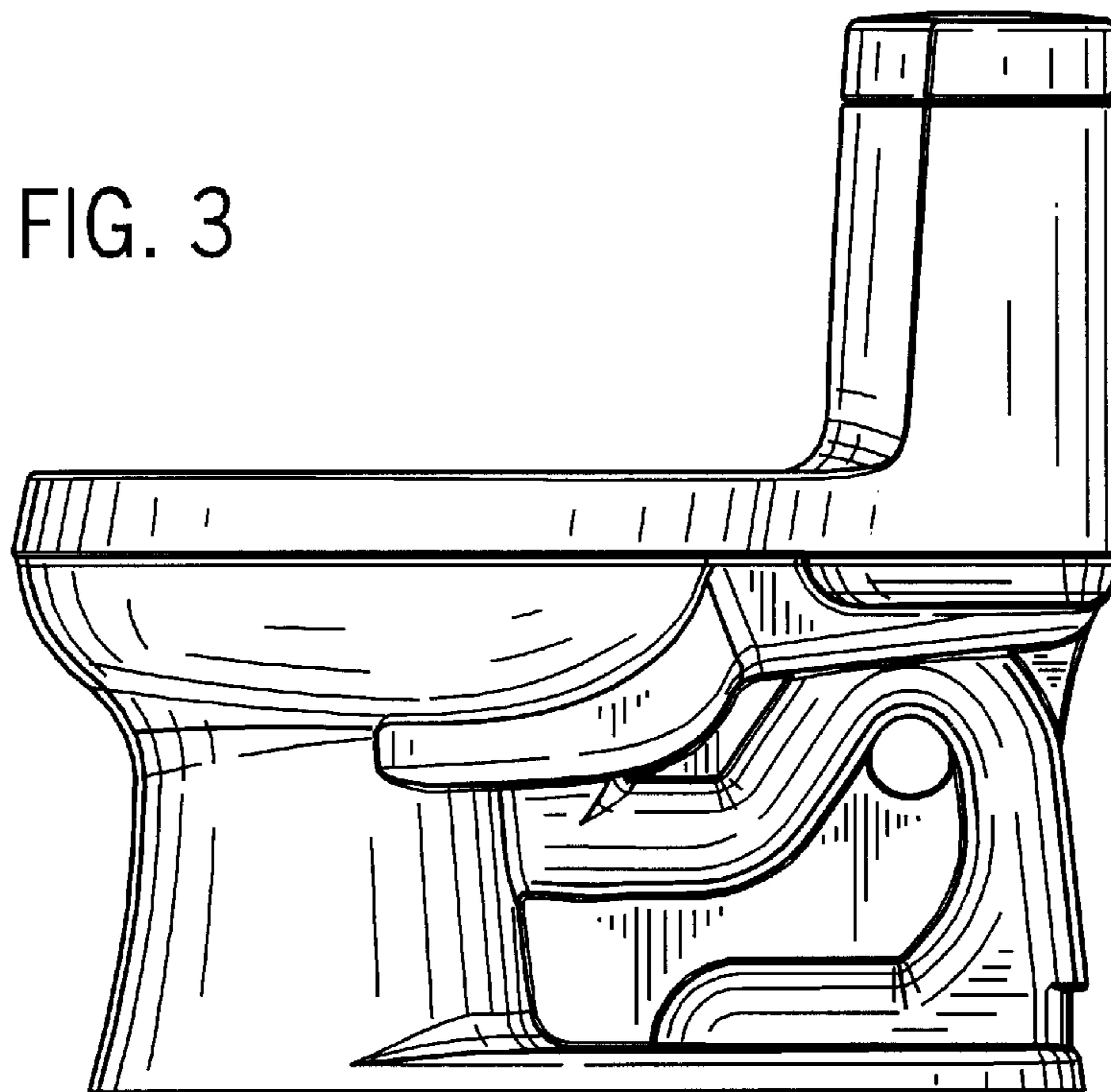


FIG. 4

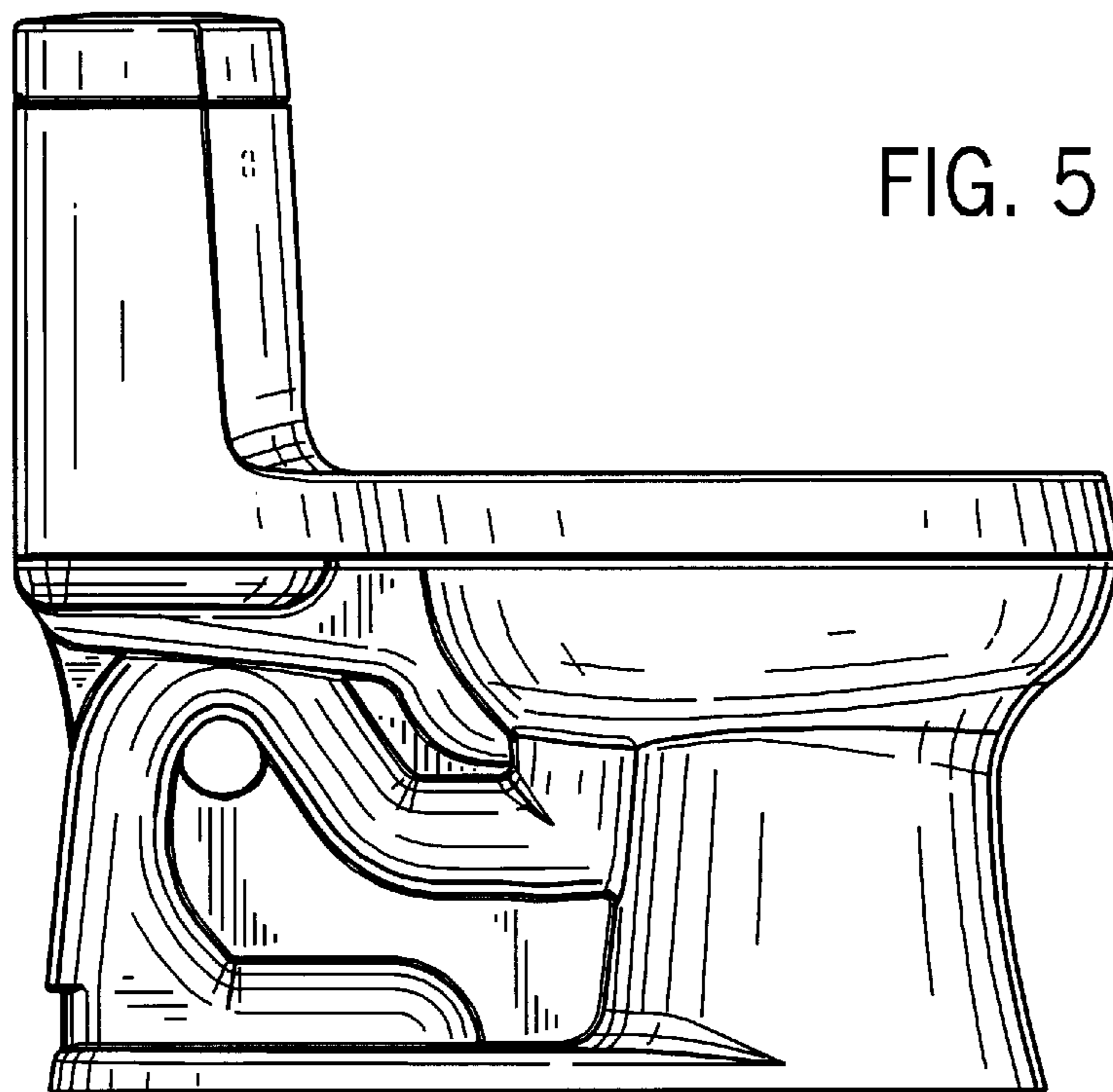


FIG. 5

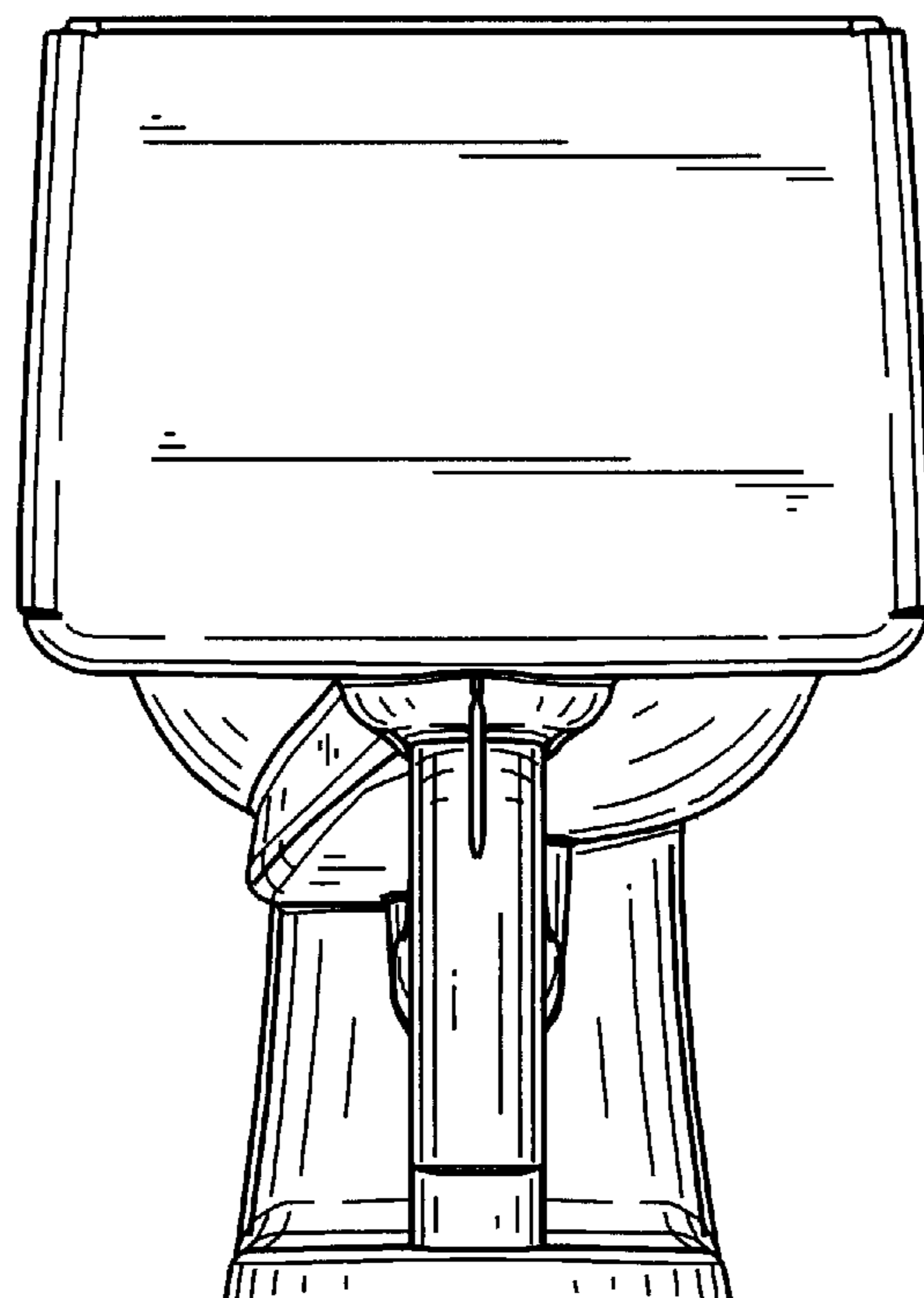


FIG. 6

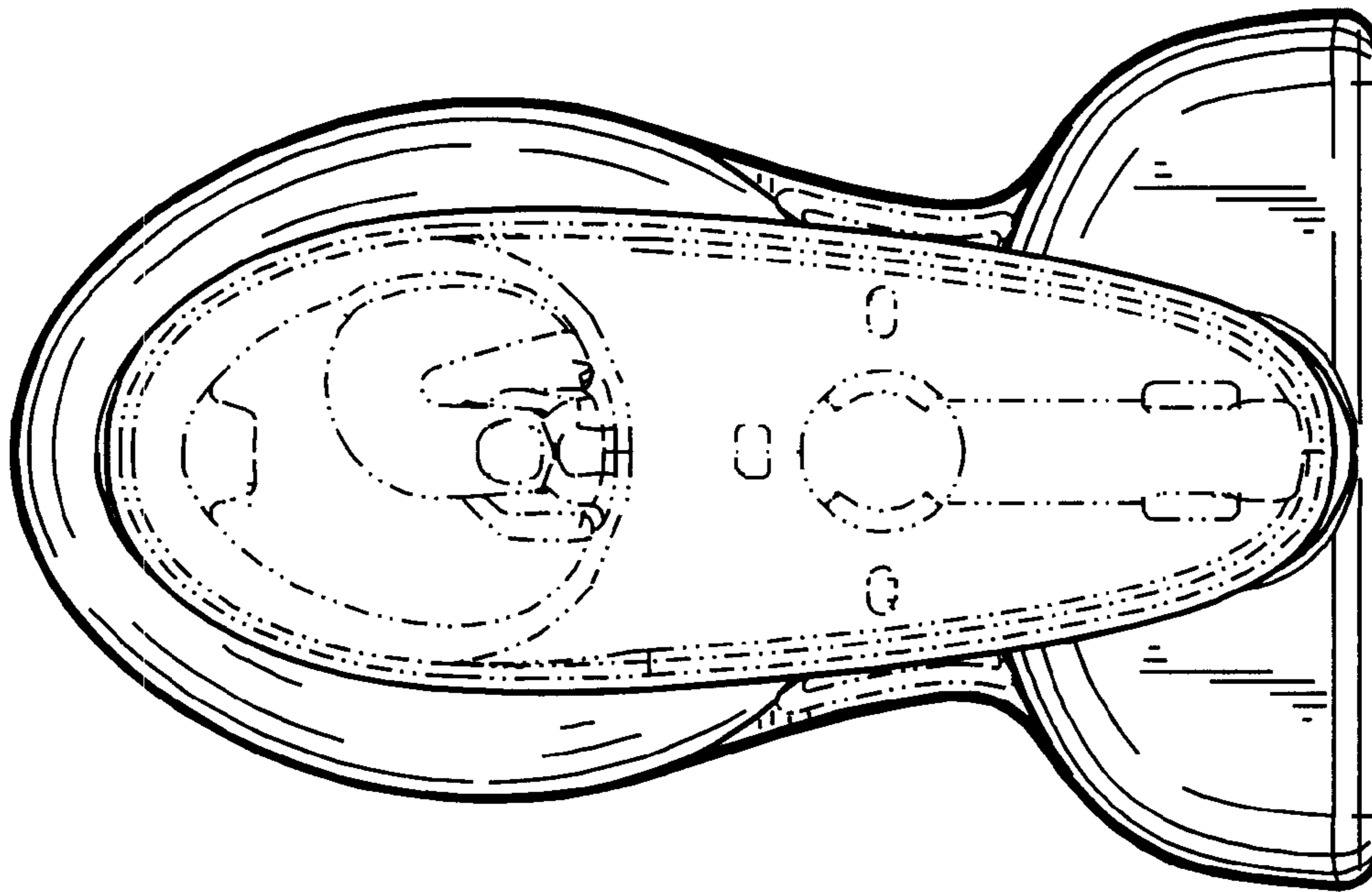


FIG. 7