



US00D532874S

(12) **United States Design Patent**
Hoernig

(10) **Patent No.:** **US D532,874 S**

(45) **Date of Patent:** **** Nov. 28, 2006**

(54) **SHOWER CONTROL ESCUTCHEON**

D520,606 S * 5/2006 Hoernig D23/254

D522,104 S * 5/2006 Hoernig D23/254

D522,635 S * 6/2006 Hoernig D23/254

(75) Inventor: **Victor Hoernig**, Lowell, IN (US)

(73) Assignee: **Brasstech, Inc.**, Santa Ana, CA (US)

(**) Term: **14 Years**

(21) Appl. No.: **29/226,733**

(22) Filed: **Mar. 31, 2005**

(51) **LOC (8) Cl.** **23-01**

(52) **U.S. Cl.** **D23/254**; D23/249

(58) **Field of Classification Search** D23/238-257;
D8/250-257, 300-322, DIG. 3, 350-353;
16/110.1; 4/675-678; 137/801

See application file for complete search history.

(56) **References Cited**

U.S. PATENT DOCUMENTS

D288,290 S * 2/1987 Angle D8/400

D503,329 S * 3/2005 Berberet D8/350

* cited by examiner

Primary Examiner—Louis S. Zarfes

Assistant Examiner—Gregory Andoll

(74) *Attorney, Agent, or Firm*—Kwadjo Adusei-Poku;
Lloyd D. Doigan

(57) **CLAIM**

The ornamental design for a shower control escutcheon, as shown and described.

DESCRIPTION

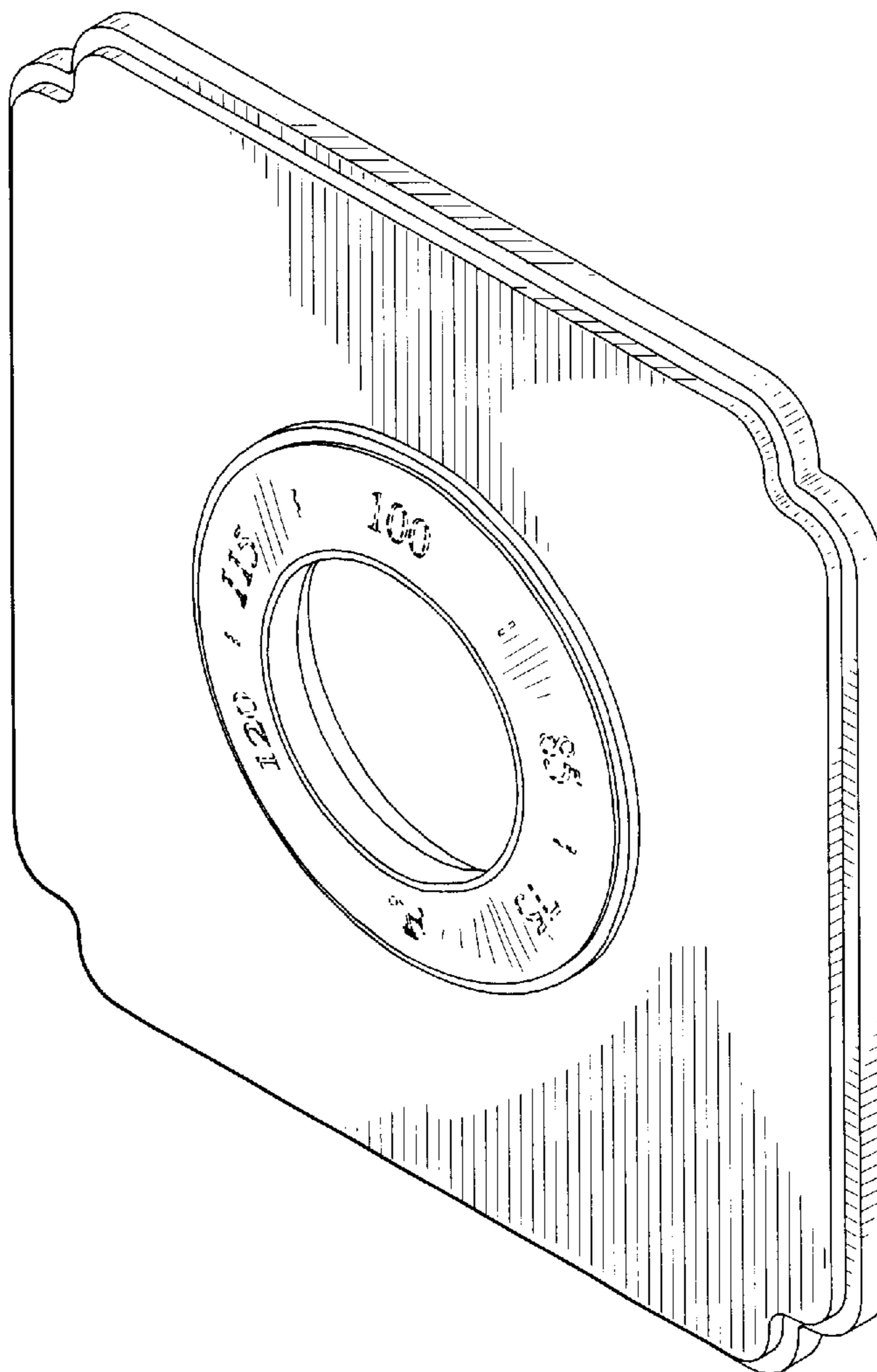
FIG. 1 is a front perspective view of a shower control escutcheon showing my design;

FIG. 2 is a front elevational view thereof; and,

FIG. 3 is a side elevational view thereof.

The broken lines in the Figures are for illustrative purposes only and form no part of the claimed design.

1 Claim, 3 Drawing Sheets



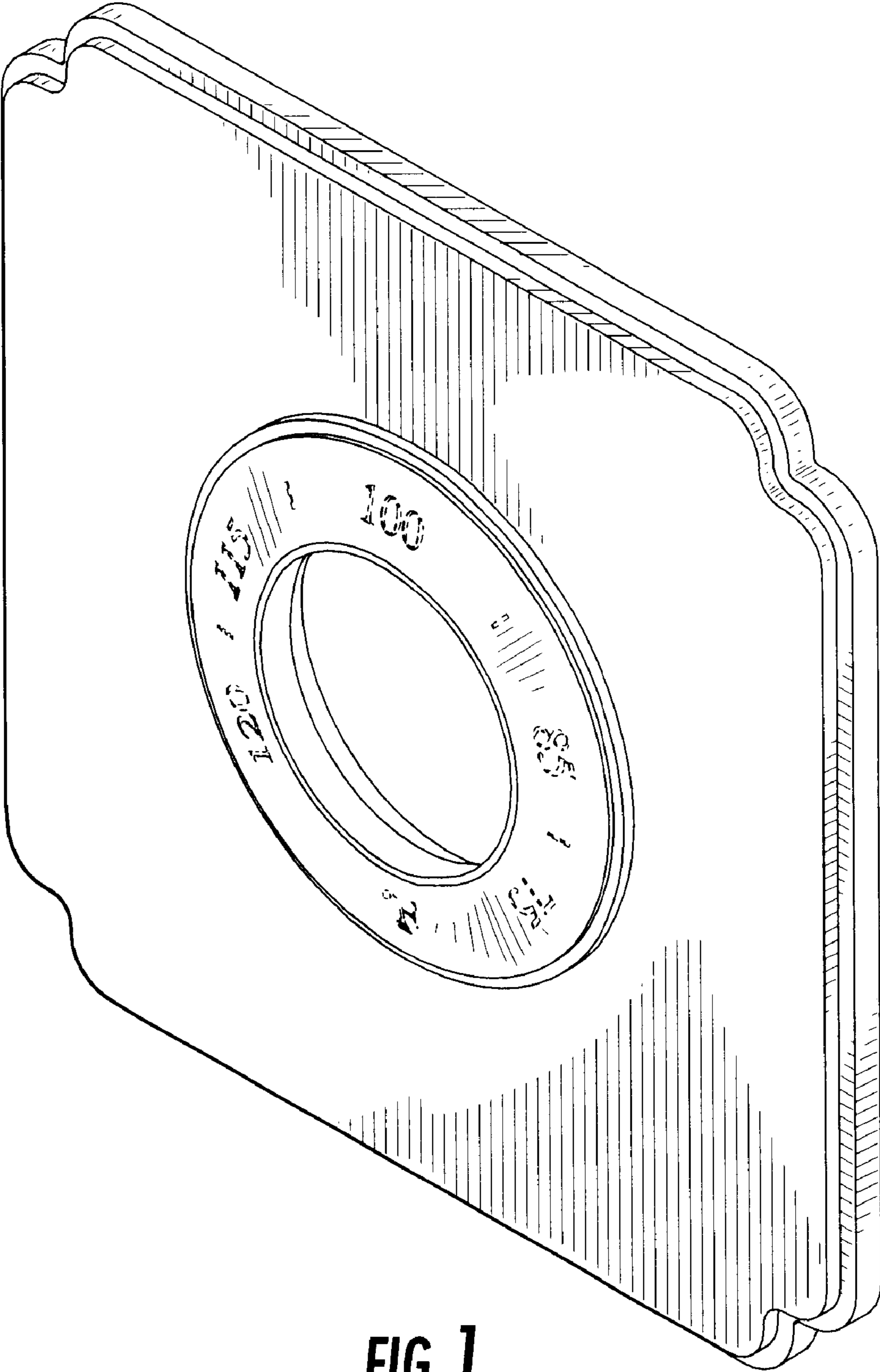


FIG. 1

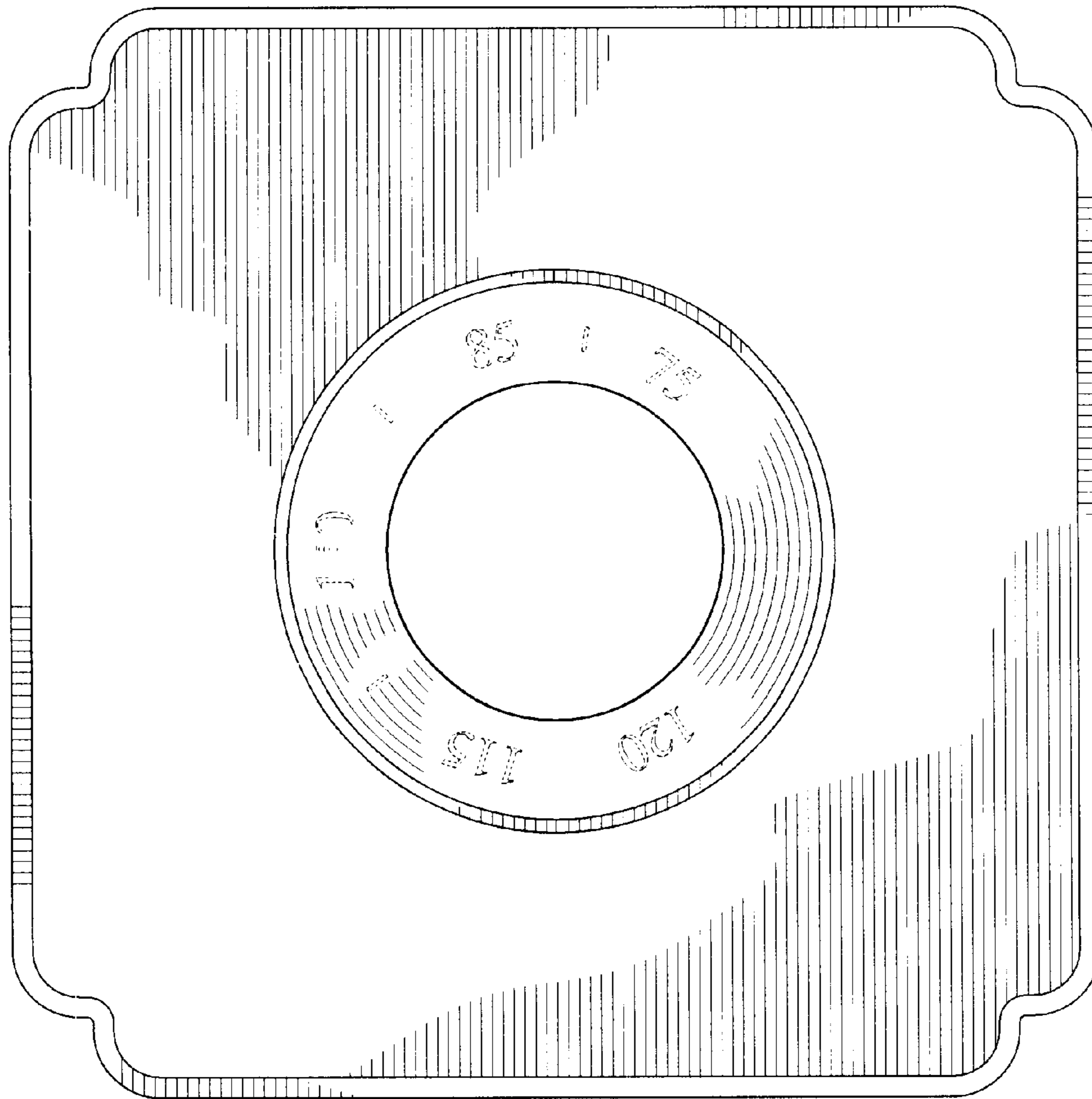


FIG. 2

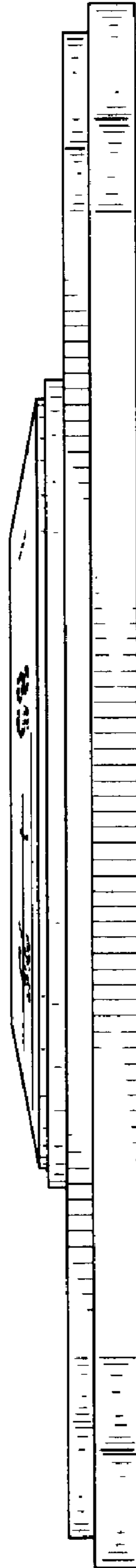


FIG. 3