

US00D532871S

(12) **United States Design Patent**
Berberet

(10) **Patent No.:** **US D532,871 S**

(45) **Date of Patent:** **** Nov. 28, 2006**

(54) **FAUCET**

(75) Inventor: **Suzanne M. Berberet**, Sheboygan, WI (US)

(73) Assignee: **Kohler Co.**, Kohler, WI (US)

(**) Term: **14 Years**

(21) Appl. No.: **29/235,958**

(22) Filed: **Aug. 9, 2005**

(51) **LOC (8) Cl.** **23-01**

(52) **U.S. Cl.** **D23/241; D23/242**

(58) **Field of Classification Search** **D23/238-257;**
4/675-678; 137/801

See application file for complete search history.

(56) **References Cited**

U.S. PATENT DOCUMENTS

D77,024 S	*	11/1928	Mueller	D23/240
D460,523 S	*	7/2002	Green et al.	D23/241
D472,608 S	*	4/2003	Shieh	D23/241
D512,485 S	*	12/2005	Kulig	D23/241
D516,177 S	*	2/2006	Ouyoung	D23/241

OTHER PUBLICATIONS

Website page for vintagetub.com, Whitehaus Collection Gooseneck Bridge Faucet.

* cited by examiner

Primary Examiner—Louis S. Zarfes

Assistant Examiner—Gregory Andoll

(74) *Attorney, Agent, or Firm*—Quarles & Brady LLP

(57) **CLAIM**

The ornamental design for a faucet, as shown and described.

DESCRIPTION

In a preferred embodiment, the nature of this product is as a plumbing fixture in the form of a faucet for washing various items and/or body parts.

FIG. 1 is a left, top, front perspective view of a faucet embodying my new design;

FIG. 2 is a front elevational view thereof;

FIG. 3 is a left side elevational view thereof, the right side elevational view thereof being a mirror image of the left side shown;

FIG. 4 is a rear elevational view thereof;

FIG. 5 is a top plan view thereof; and,

FIG. 6 is a bottom plan view thereof.

The broken line representations of handle environment in FIGS. 1-6; pull-up knob environment in FIGS. 1-4, escutcheon environment in FIGS. 1-6, and of openings in FIGS. 2, 4, and 6 and underside structure in FIG. 6 are for the purpose of illustration only, and form no part of the claimed design.

1 Claim, 3 Drawing Sheets

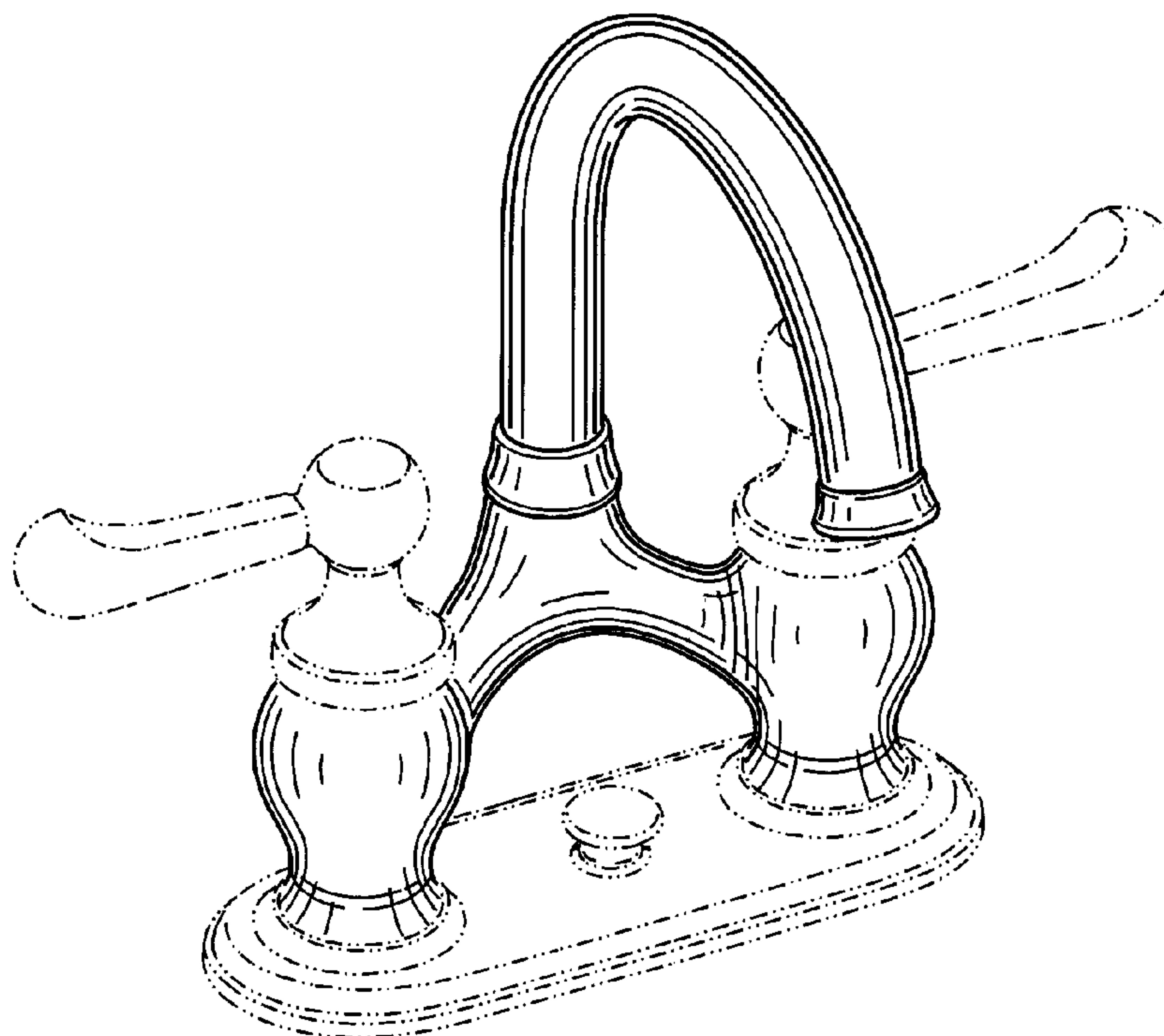


FIG. 1

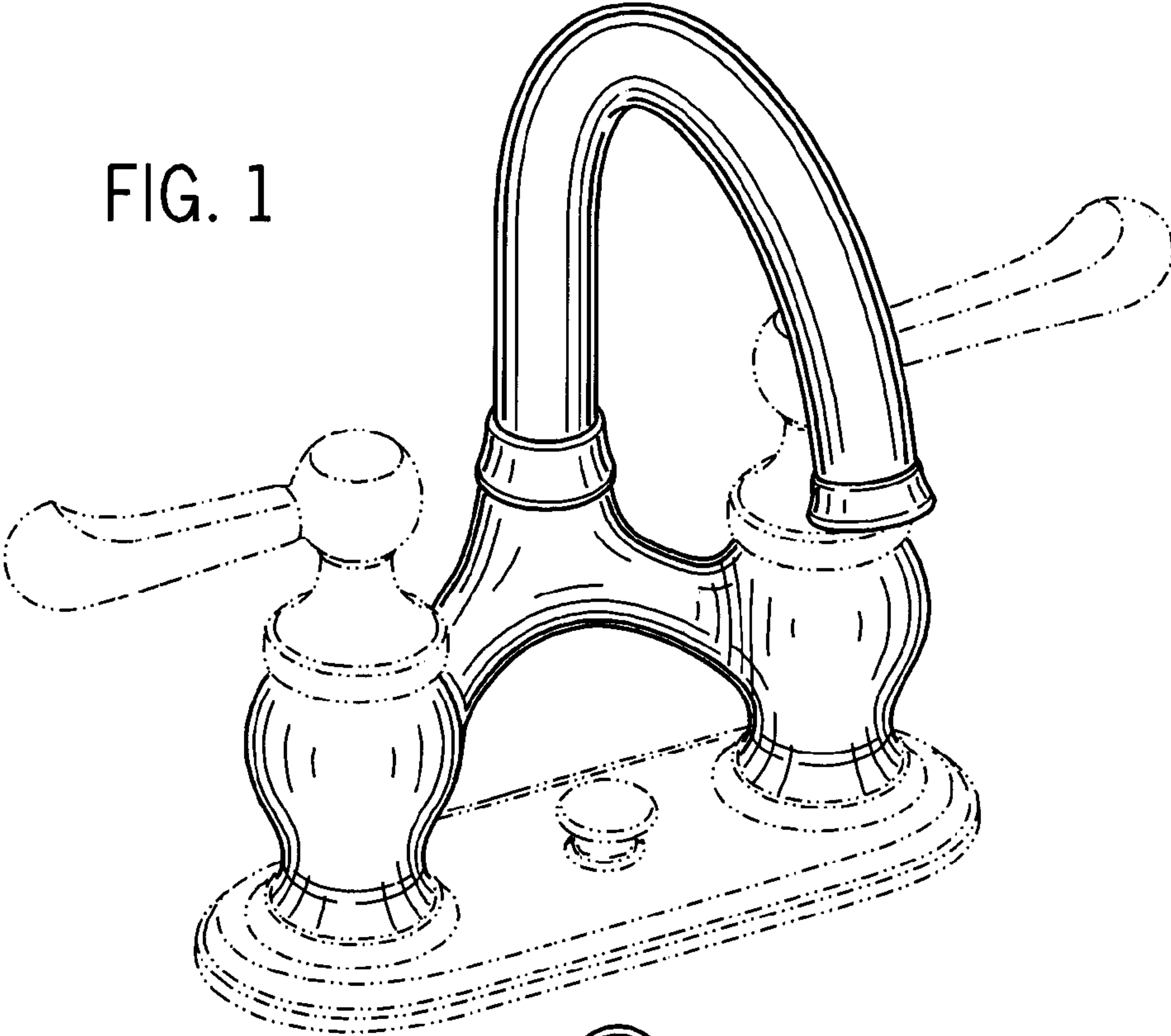
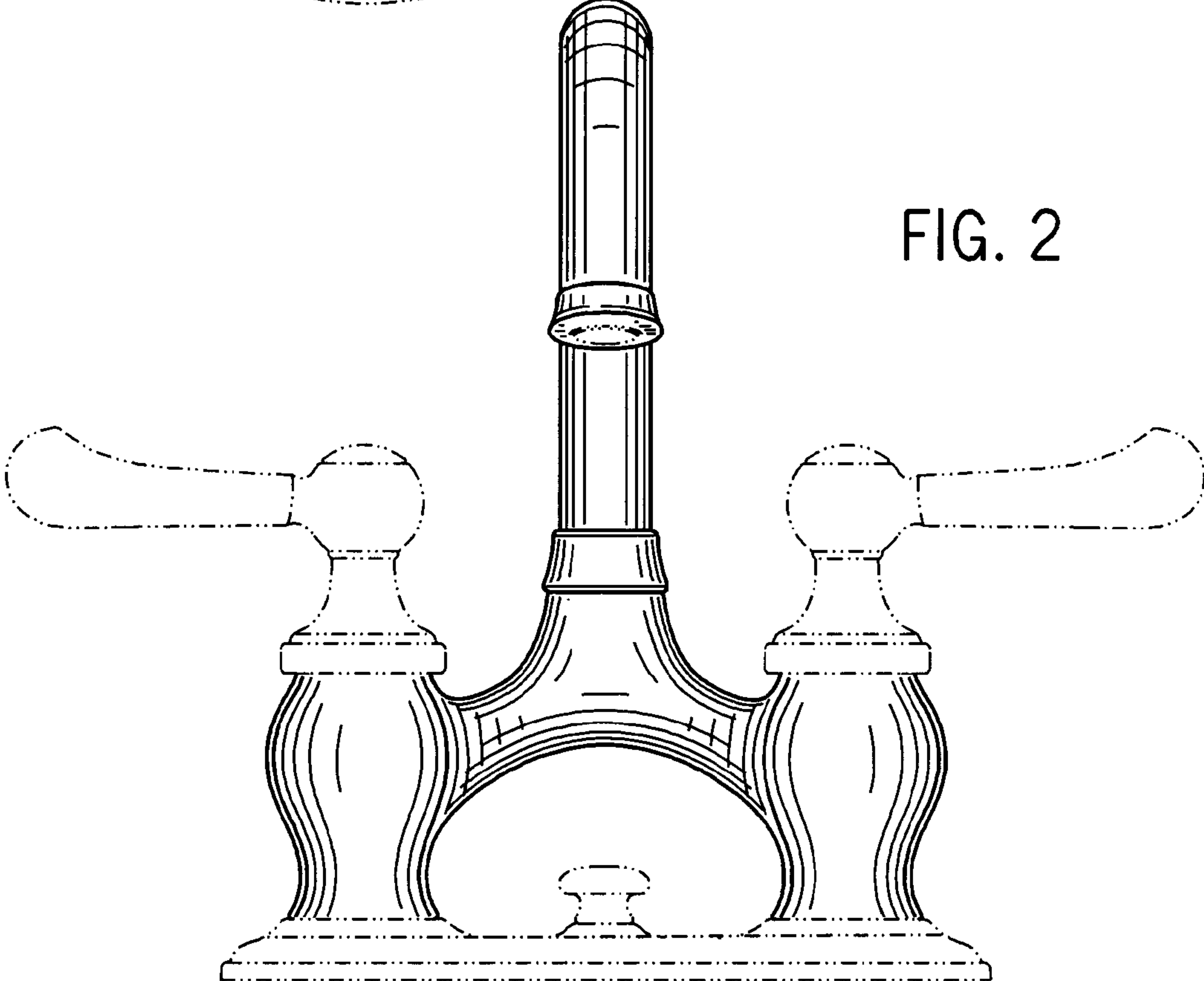


FIG. 2



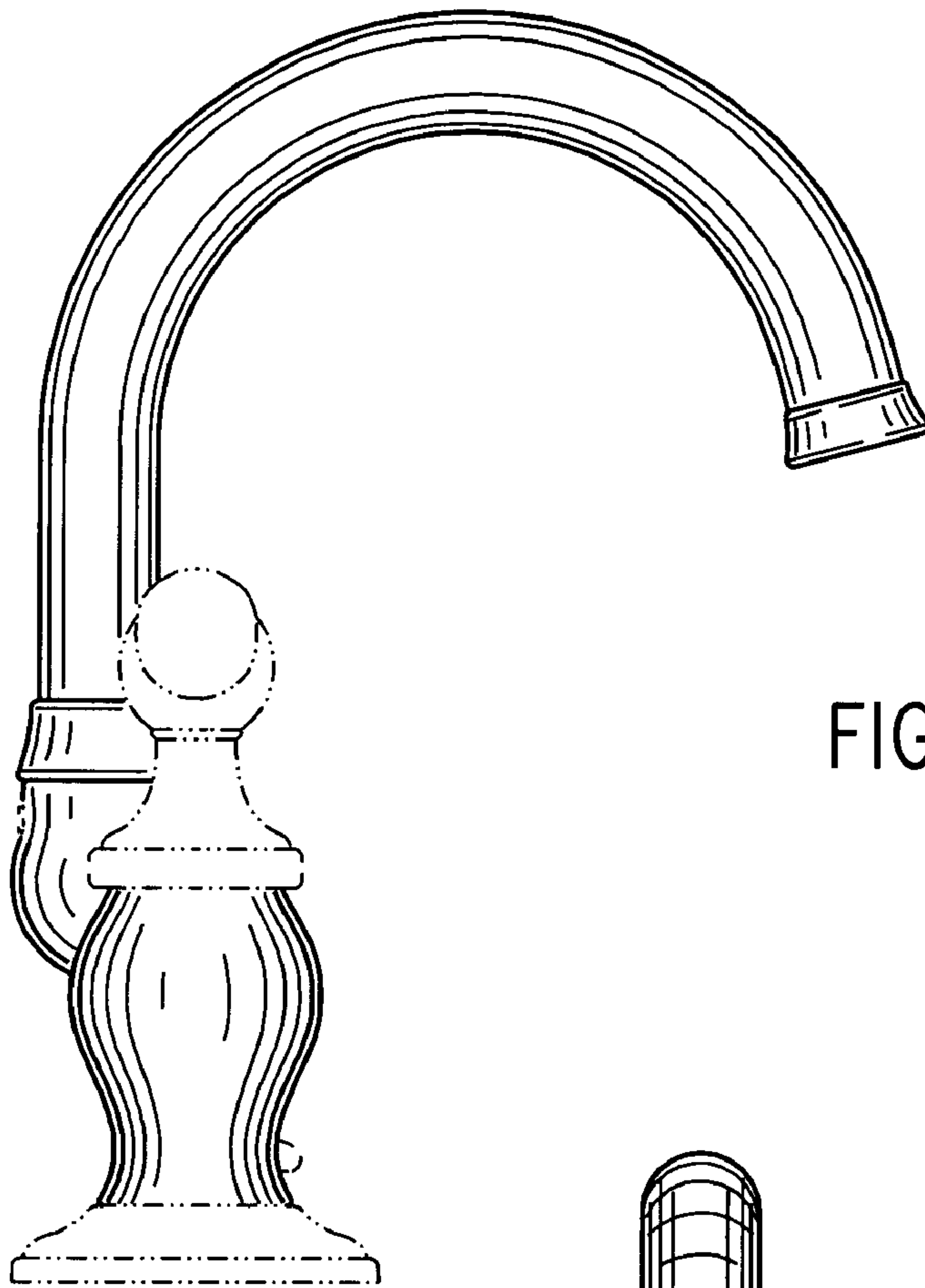


FIG. 3

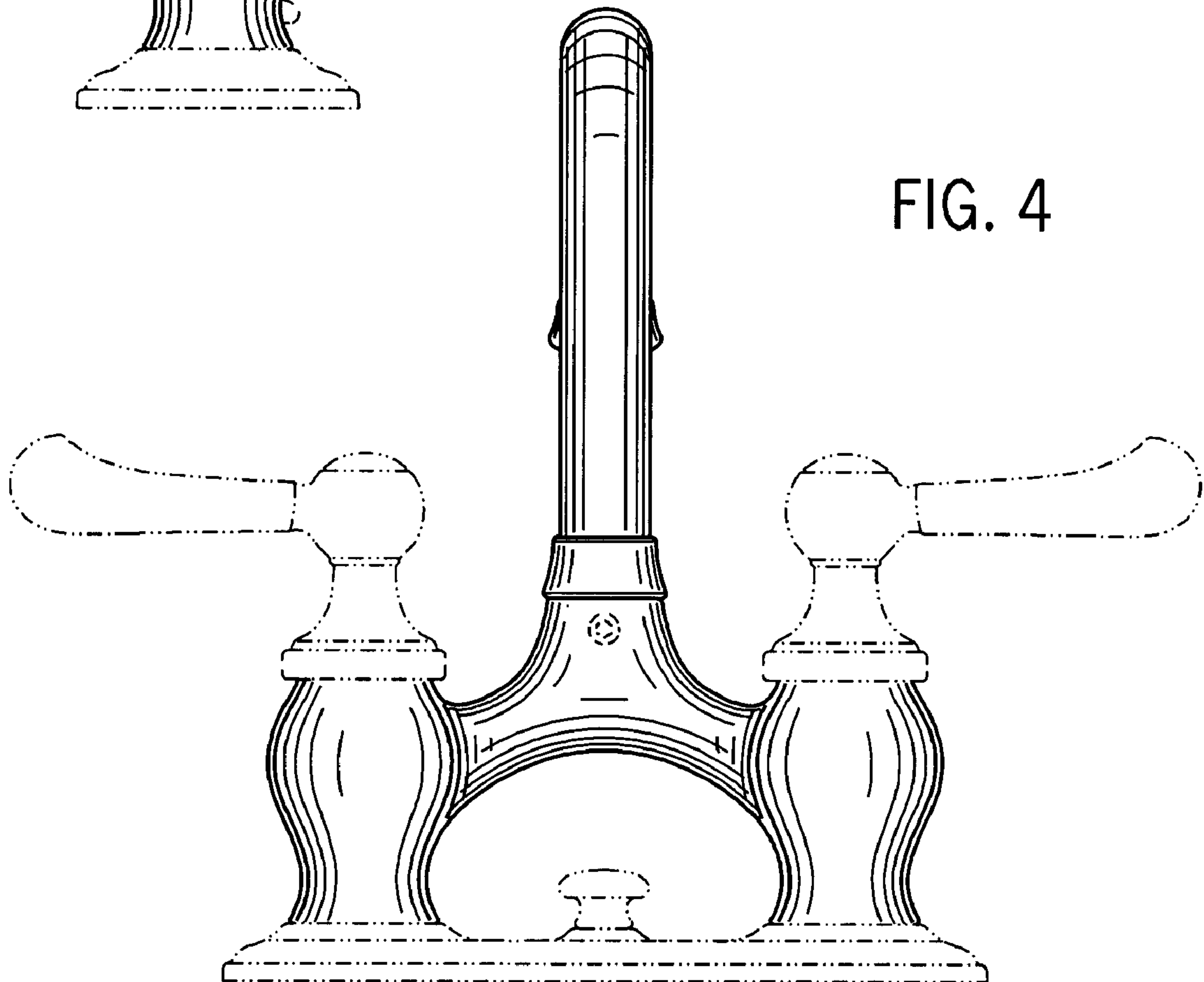


FIG. 4

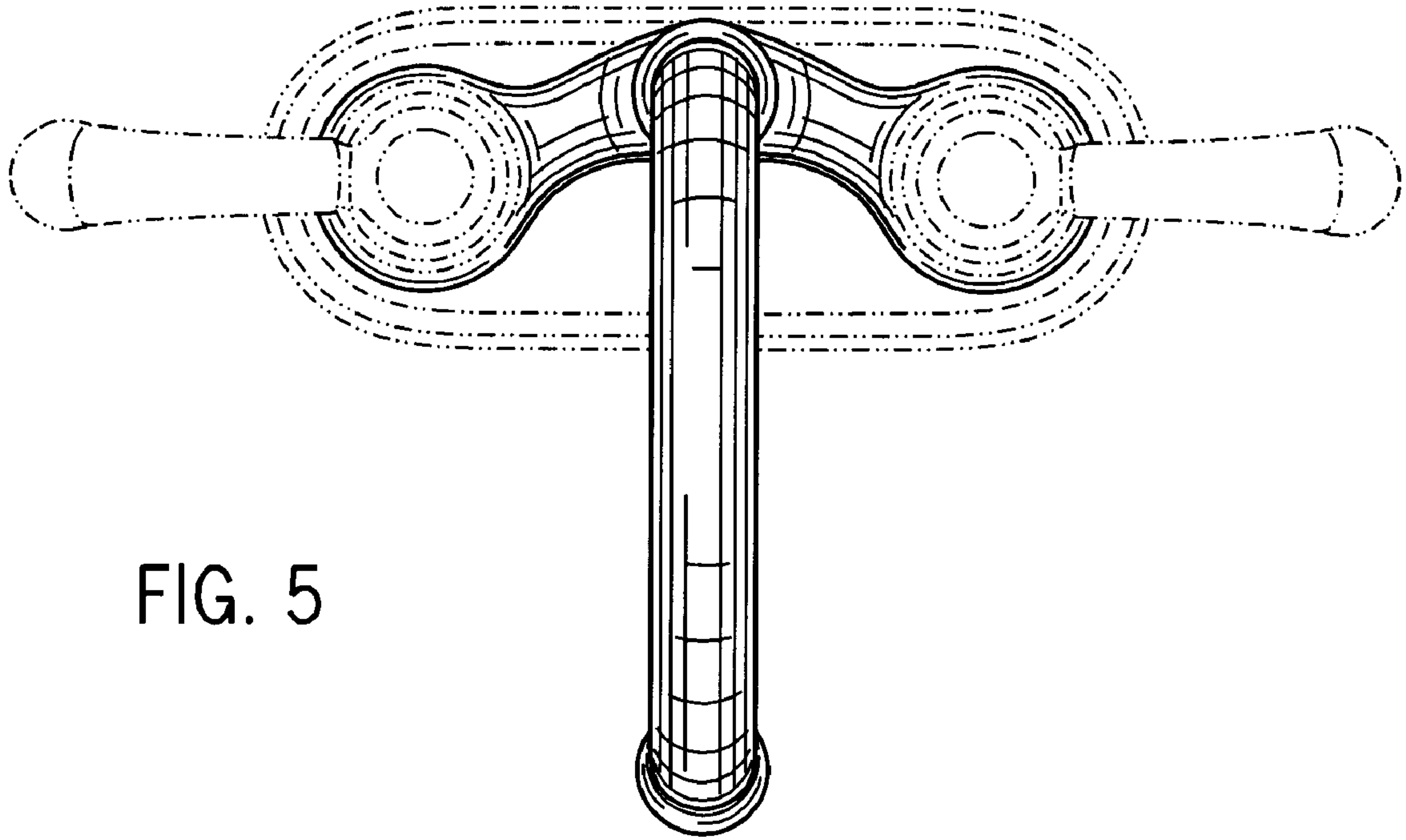


FIG. 5

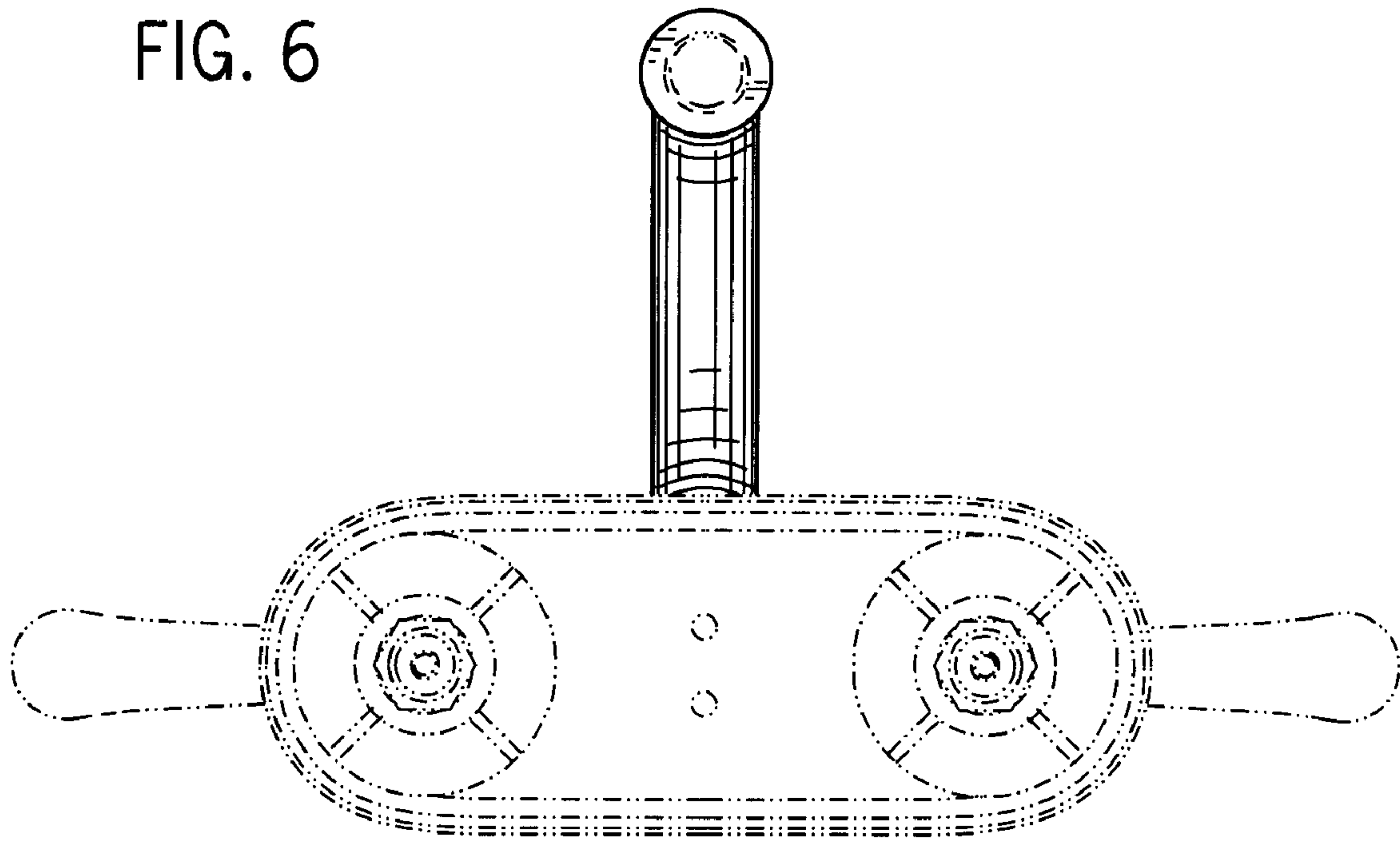


FIG. 6