



US00D532866S

(12) **United States Design Patent**
Kirar

(10) **Patent No.:** **US D532,866 S**

(45) **Date of Patent:** **** Nov. 28, 2006**

(54) **SPOUT**

(75) Inventor: **Laura K. Kirar**, New York, NY (US)

(73) Assignee: **Kohler Co.**, Kohler, WI (US)

(**) Term: **14 Years**

(21) Appl. No.: **29/229,235**

(22) Filed: **May 4, 2005**

(51) **LOC (8) Cl.** **23-01**

(52) **U.S. Cl.** **D23/238; D23/255**

(58) **Field of Classification Search** **D23/238-257;**
4/675-678; 137/801

See application file for complete search history.

(56) **References Cited**

U.S. PATENT DOCUMENTS

D235,607 S	*	7/1975	Haug	D7/351
D328,782 S	*	8/1992	Paterson et al.	D23/238
D461,539 S	*	8/2002	Gottwald	D23/255
D461,540 S	*	8/2002	Gottwald	D23/255

OTHER PUBLICATIONS

Jacob Delafon catalog, p. 304, Robinetterie Pour Le Bain Et La Douche, Elite.

* cited by examiner

Primary Examiner—Louis S. Zarfas

Assistant Examiner—Gregory Andoll

(74) *Attorney, Agent, or Firm*—Quarles & Brady LLP

(57) **CLAIM**

The ornamental design for a spout, as shown and described.

DESCRIPTION

In a preferred embodiment, the nature of this product is a spout for a faucet.

FIG. 1 is a right, top, front perspective view of a spout according to my new design;

FIG. 2 is a right side elevational view thereof, the left side elevational view thereof being a mirror image of the right side shown;

FIG. 3 is a front elevational view thereof;

FIG. 4 is a top plan view thereof;

FIG. 5 is a rear elevational view thereof;

FIG. 6 is a bottom plan view thereof;

FIG. 7 is a right, top, front perspective view of a spout according to another embodiment of my new design;

FIG. 8 is a right side elevational view thereof, the left side elevational view thereof being a mirror image of the right side shown;

FIG. 9 is a front elevational view thereof;

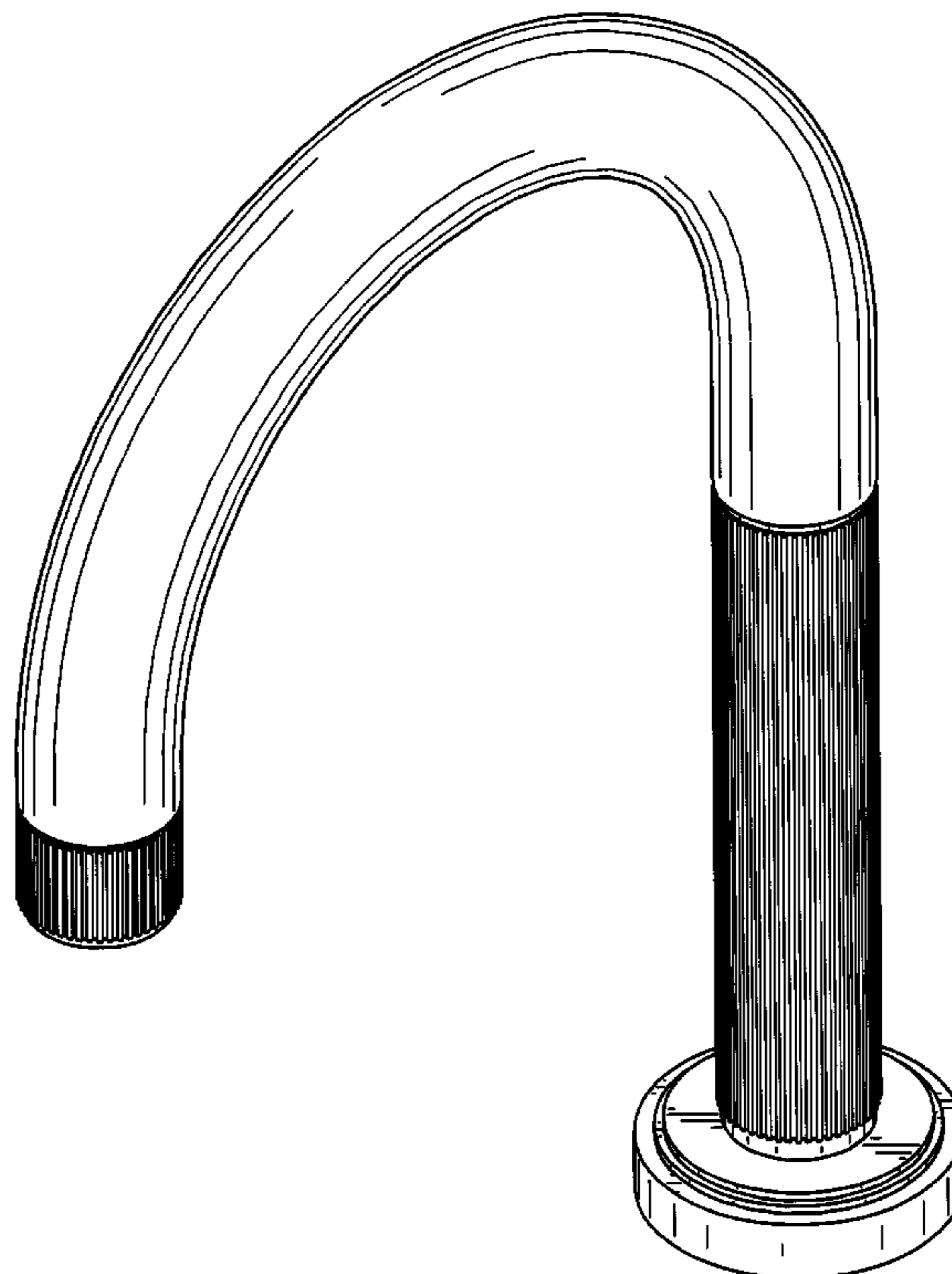
FIG. 10 is a top plan view thereof;

FIG. 11 is a rear elevational view thereof; and,

FIG. 12 is a bottom plan view thereof.

The broken line representations of bottom mounting structure and spout openings in FIGS. 6 and 12 are for the purpose of illustration only, and form no part of the claimed design.

1 Claim, 8 Drawing Sheets



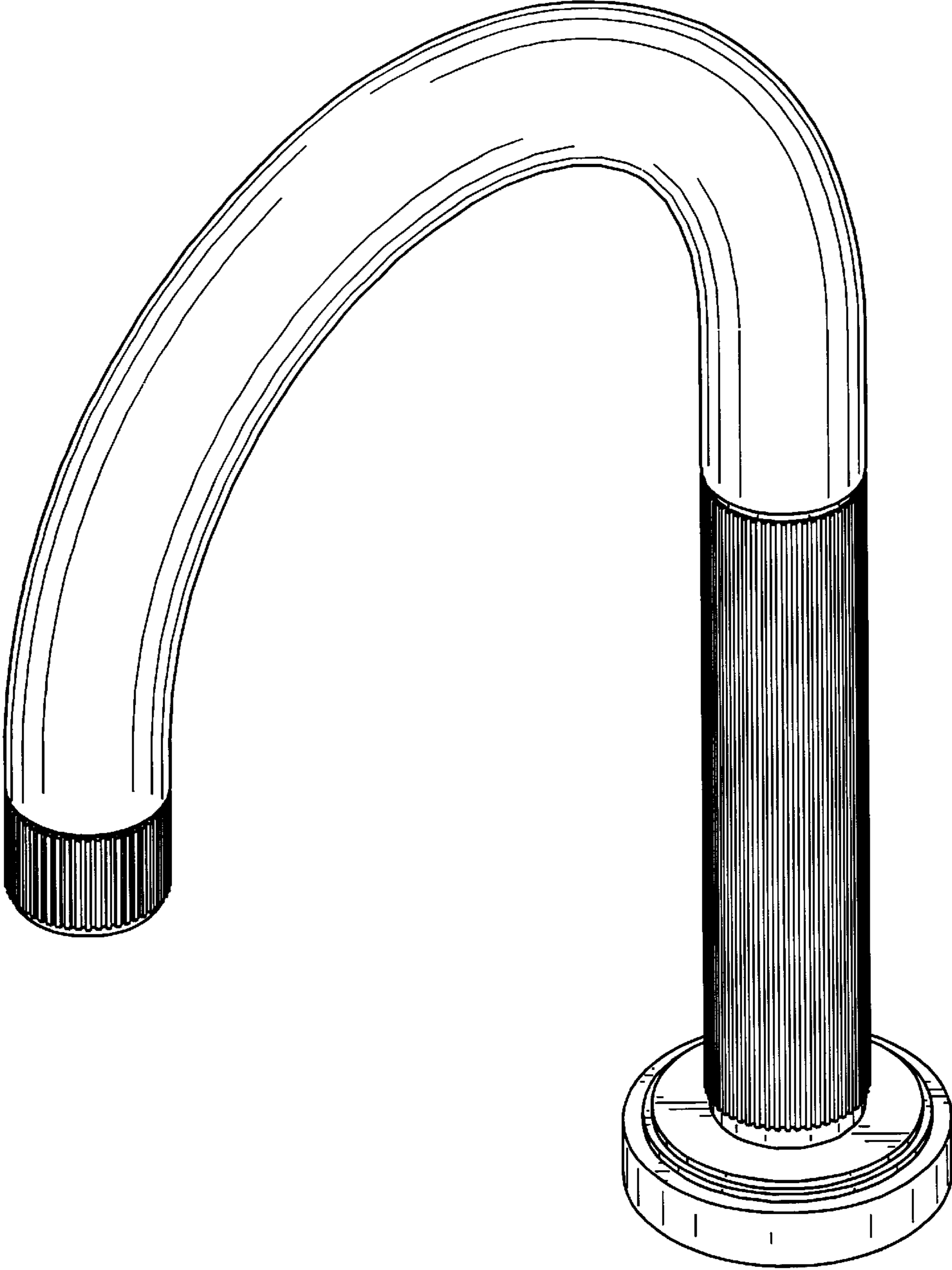


FIG. 1

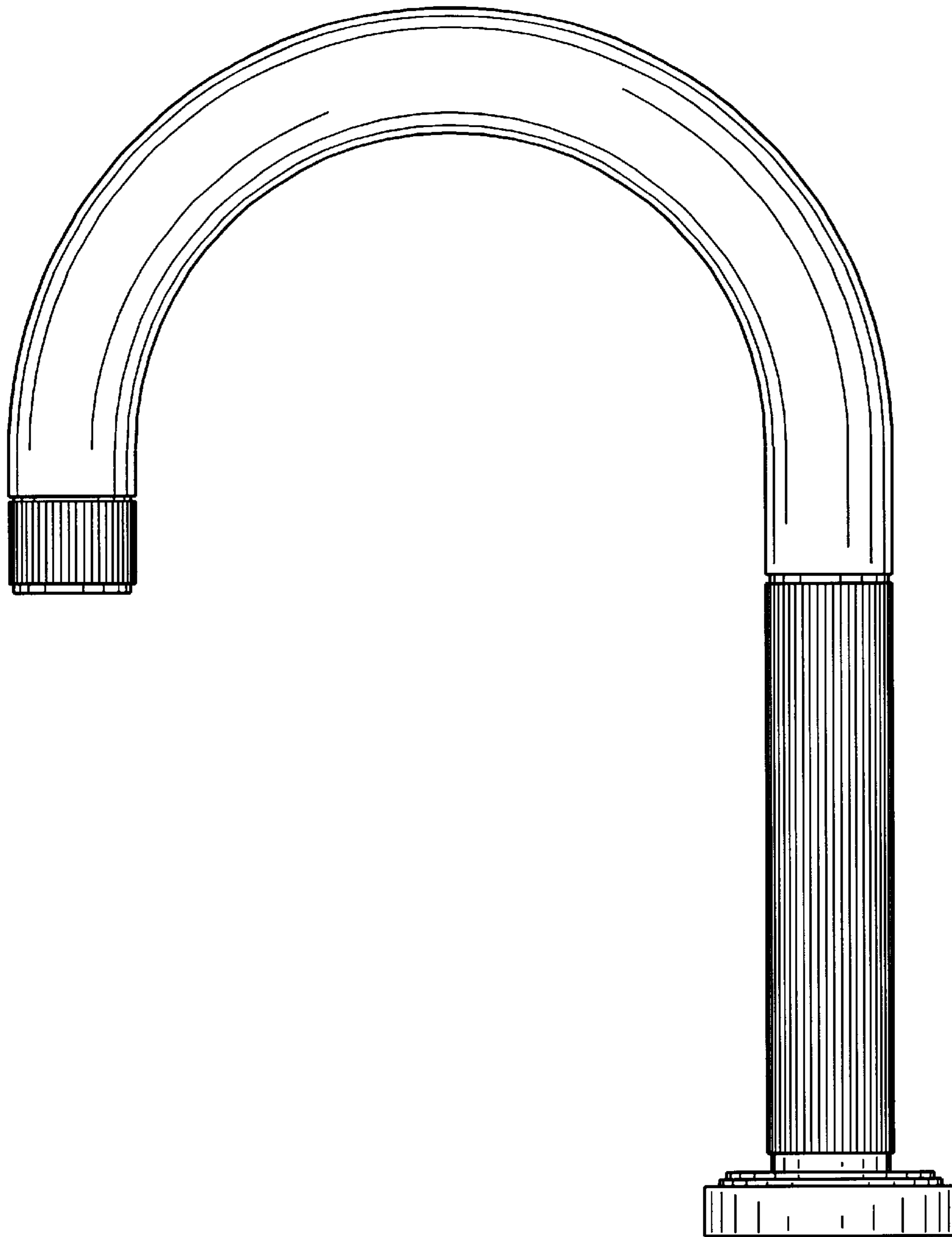


FIG. 2

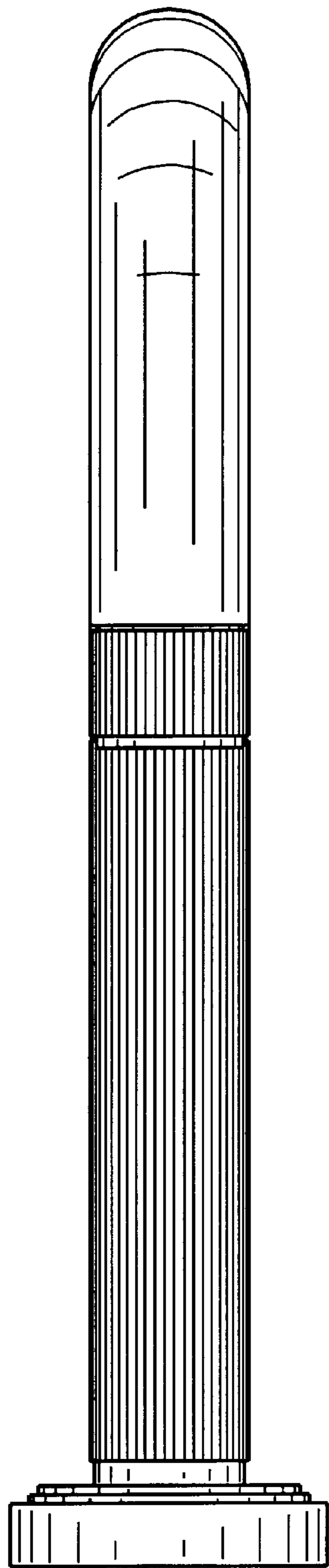


FIG. 3

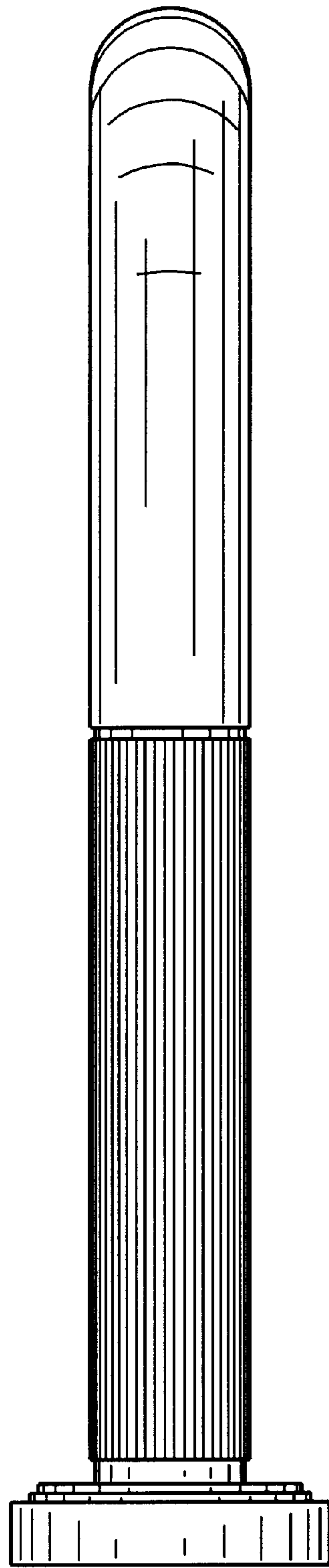


FIG. 5

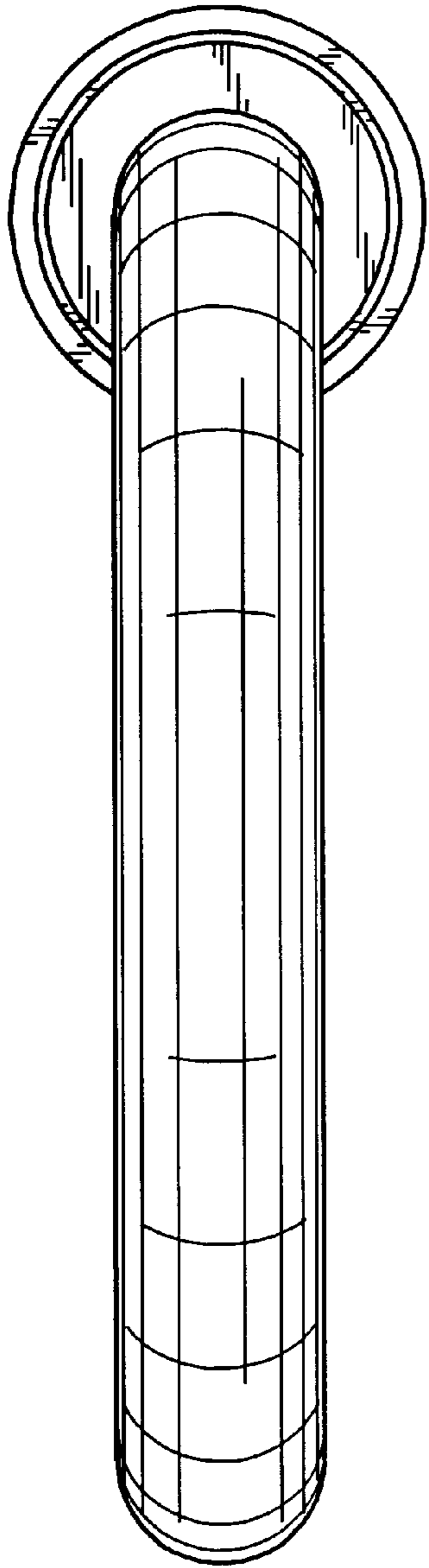


FIG. 4

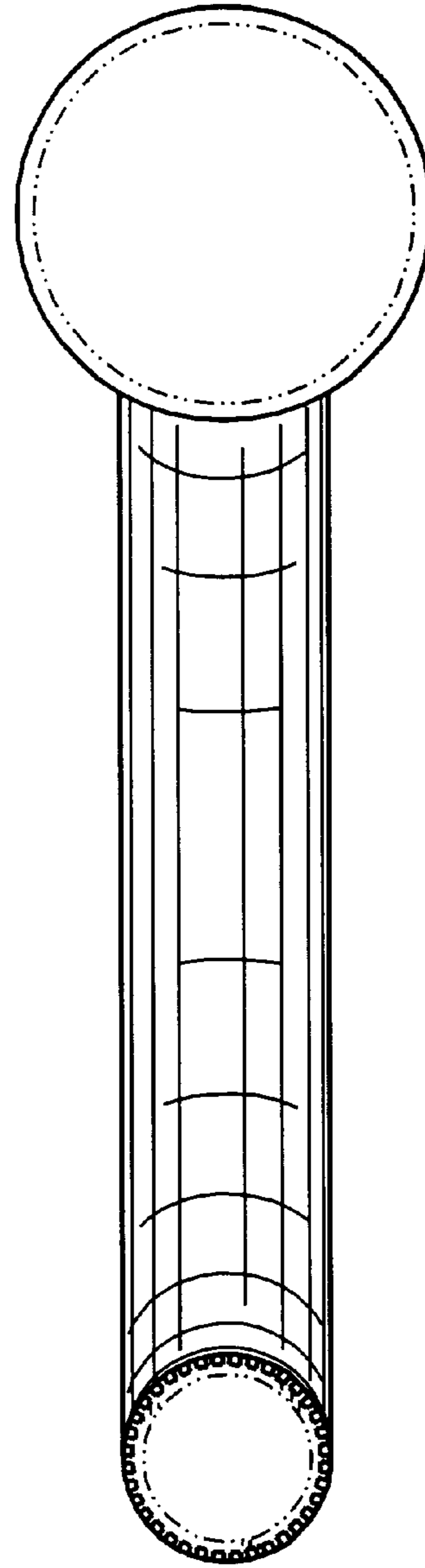


FIG. 6

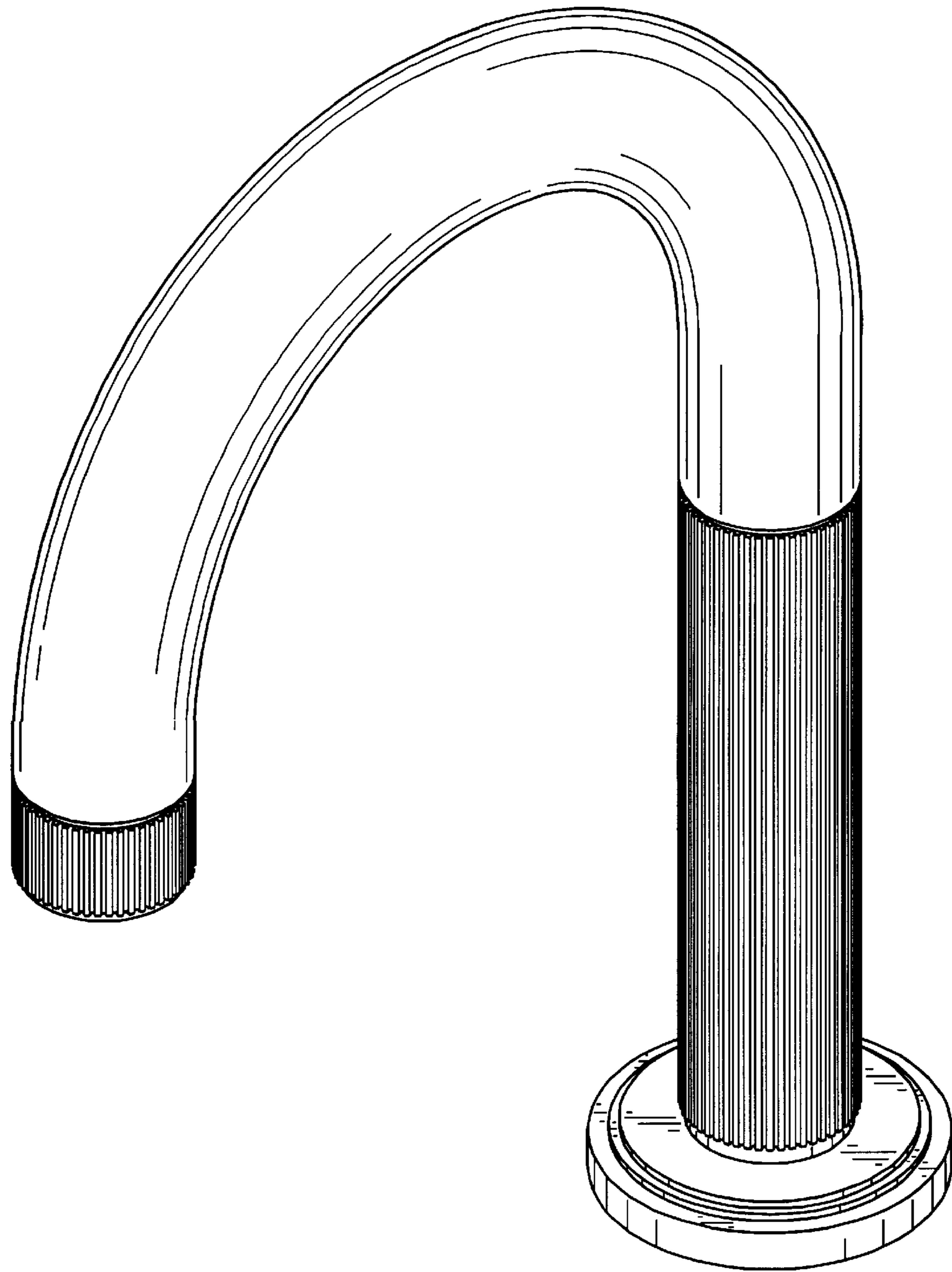


FIG. 7

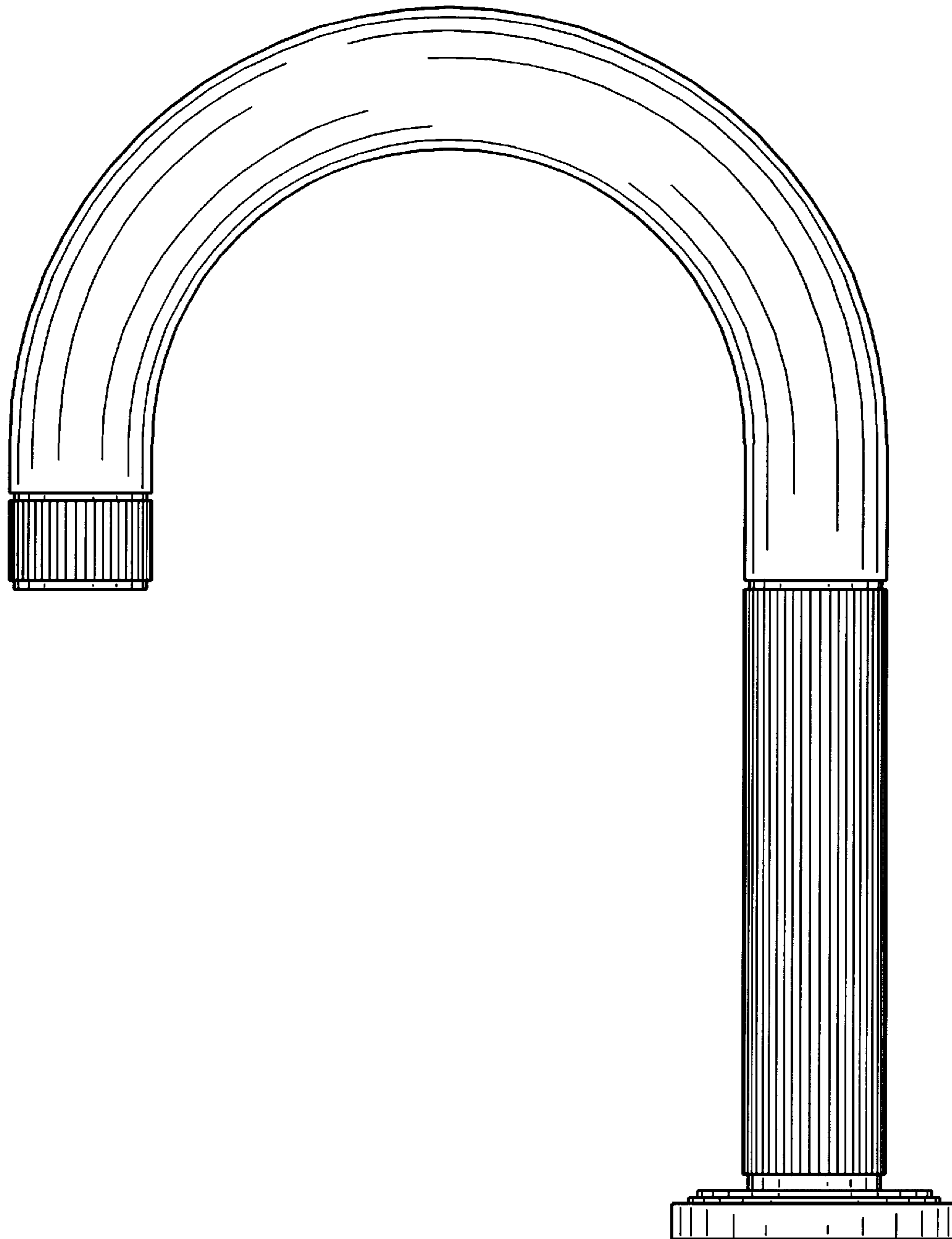


FIG. 8

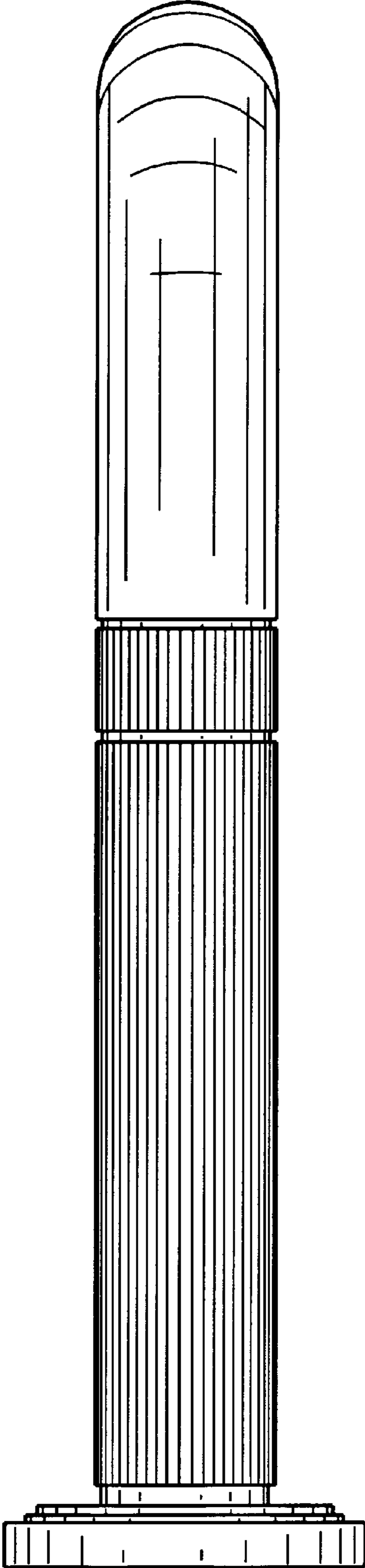


FIG. 9

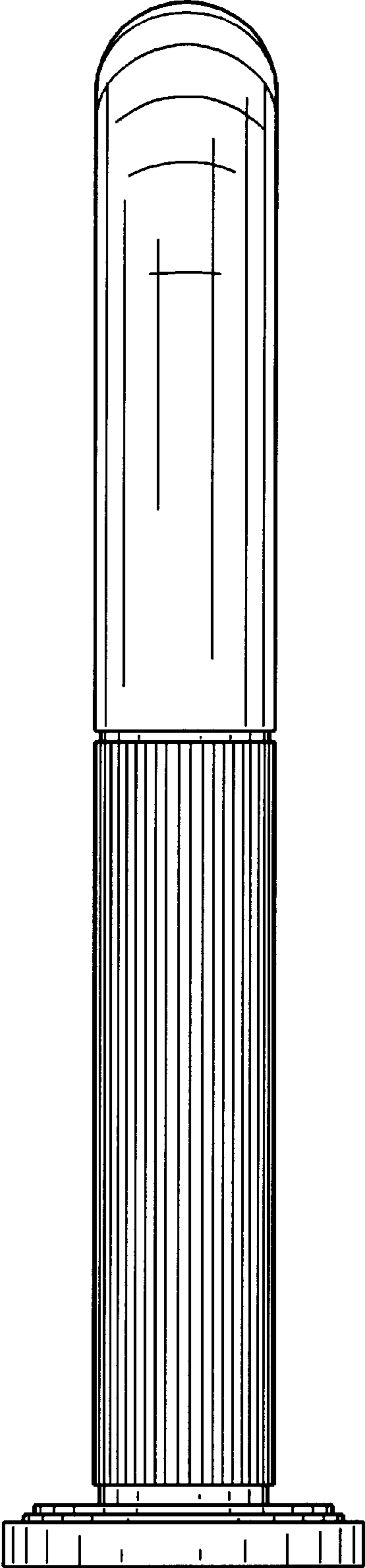


FIG. 11

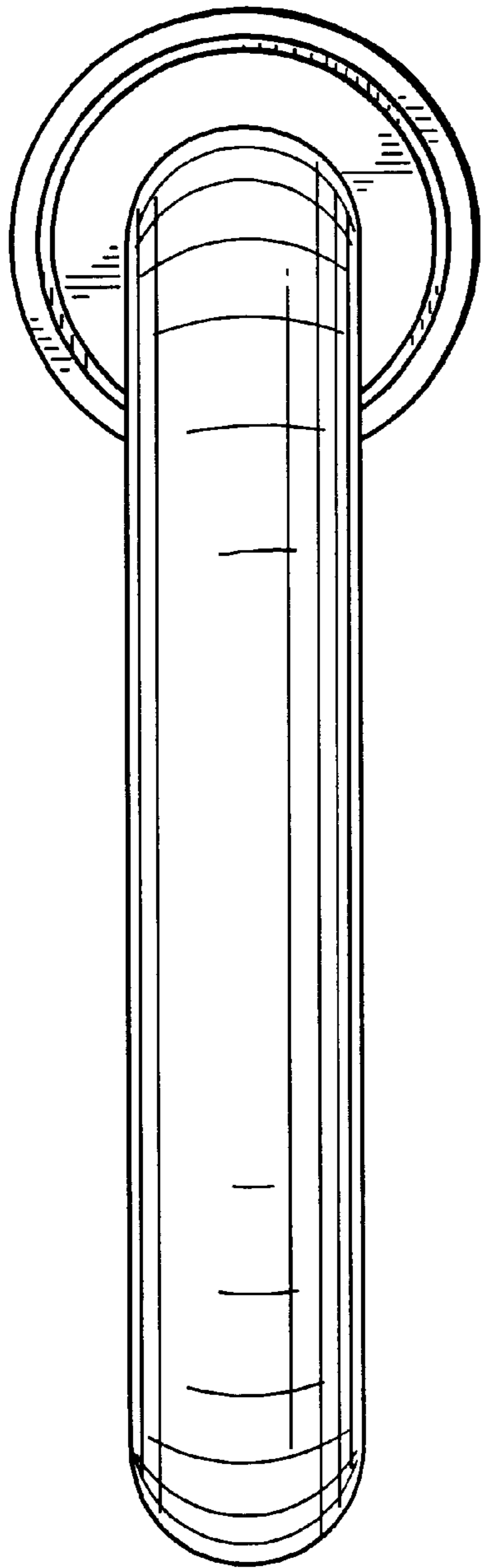


FIG. 10

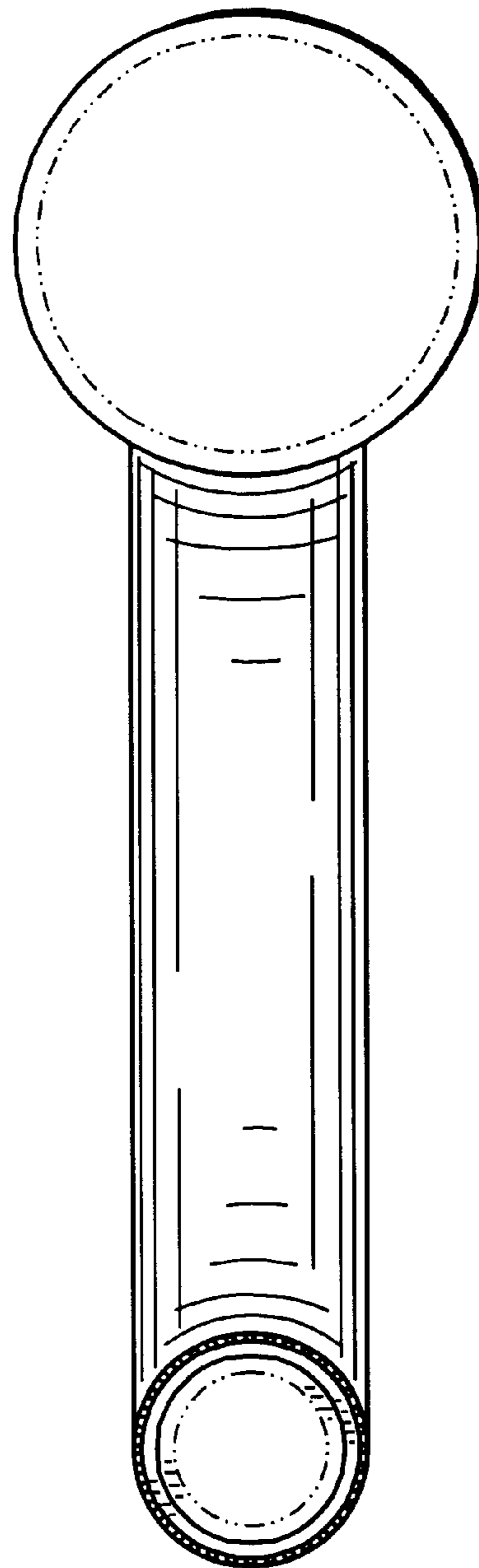


FIG. 12