



US00D532864S

(12) **United States Design Patent**
Mather et al.

(10) **Patent No.:** **US D532,864 S**

(45) **Date of Patent:** **** Nov. 28, 2006**

(54) **NOZZLE**

D499,463 S 12/2004 Mather
D504,936 S * 5/2005 Yeager D23/213

(75) Inventors: **Brian D. Mather**, North Olmsted, OH (US); **Jim Bachman**, Lorain, OH (US)

* cited by examiner

(73) Assignee: **Nordson Corporation**, Westlake, OH (US)

Primary Examiner—Robin Webster
(74) *Attorney, Agent, or Firm*—Calfee, Halter & Griswold LLP

(**) Term: **14 Years**

(57) **CLAIM**

(21) Appl. No.: **29/230,973**

The ornamental design for a nozzle, as shown and described.

(22) Filed: **May 27, 2005**

DESCRIPTION

(51) **LOC (8) Cl.** **23-01**

(52) **U.S. Cl.** **D23/213**

(58) **Field of Classification Search** D23/213;
239/600-1, 390, 690

See application file for complete search history.

FIG. 1 is a perspective view of a first embodiment of a nozzle of the new design;

FIG. 2 is a front elevational view of the nozzle of FIG. 1;

FIG. 3 is a left side elevational view of the nozzle of FIG. 1;

FIG. 4 is a right side elevational view of the nozzle of FIG. 1;

FIG. 5 is a top plan view of the nozzle of FIG. 1;

FIG. 6 is a bottom plan view of the nozzle of FIG. 1;

FIG. 7 is a perspective view of a second embodiment of a nozzle of the new design;

FIG. 8 is a front elevational view of the nozzle of FIG. 7;

FIG. 9 is a left side elevational view of the nozzle of FIG. 7;

FIG. 10 is a right side elevational view of the nozzle of FIG. 7;

FIG. 11 is a top plan view of the nozzle of FIG. 7; and,

FIG. 12 is a bottom plan view of the nozzle of FIG. 7.

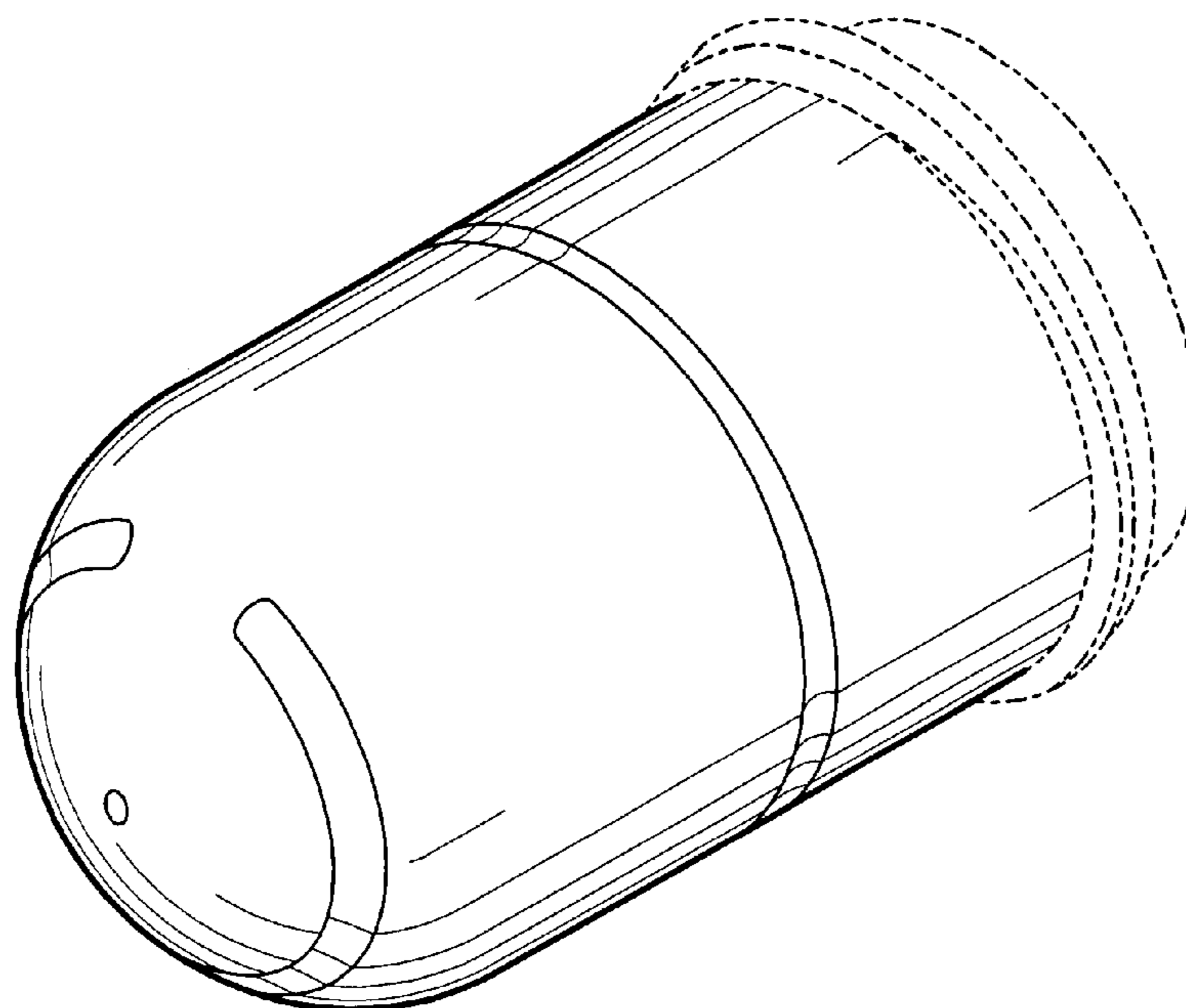
The portions of the Figures shown in broken lines are not part of the claimed design and are for illustration only.

(56) **References Cited**

U.S. PATENT DOCUMENTS

| | | | | |
|--------------|---|---------|-----------------------|---------|
| D288,954 S | * | 3/1987 | McDermott et al. | D23/213 |
| 4,736,892 A | * | 4/1988 | Calder | 239/592 |
| 5,368,237 A | | 11/1994 | Fulkerson | |
| 6,098,896 A | * | 8/2000 | Haruch | 239/8 |
| 6,206,963 B1 | * | 3/2001 | Abrahams | 118/300 |
| D442,670 S | * | 5/2001 | Maddox et al. | D23/213 |
| D443,021 S | * | 5/2001 | Maddox et al. | D23/213 |
| 6,375,093 B1 | | 4/2002 | Fulkerson et al. | |
| D462,268 S | | 9/2002 | Schroeder et al. | |
| D462,740 S | | 9/2002 | Schroeder et al. | |
| 6,478,242 B1 | | 11/2002 | Knobbe et al. | |
| D469,847 S | | 2/2003 | Schroeder et al. | |
| 6,645,300 B1 | | 11/2003 | Rehman et al. | |
| D497,407 S | | 10/2004 | Mather | |

1 Claim, 4 Drawing Sheets



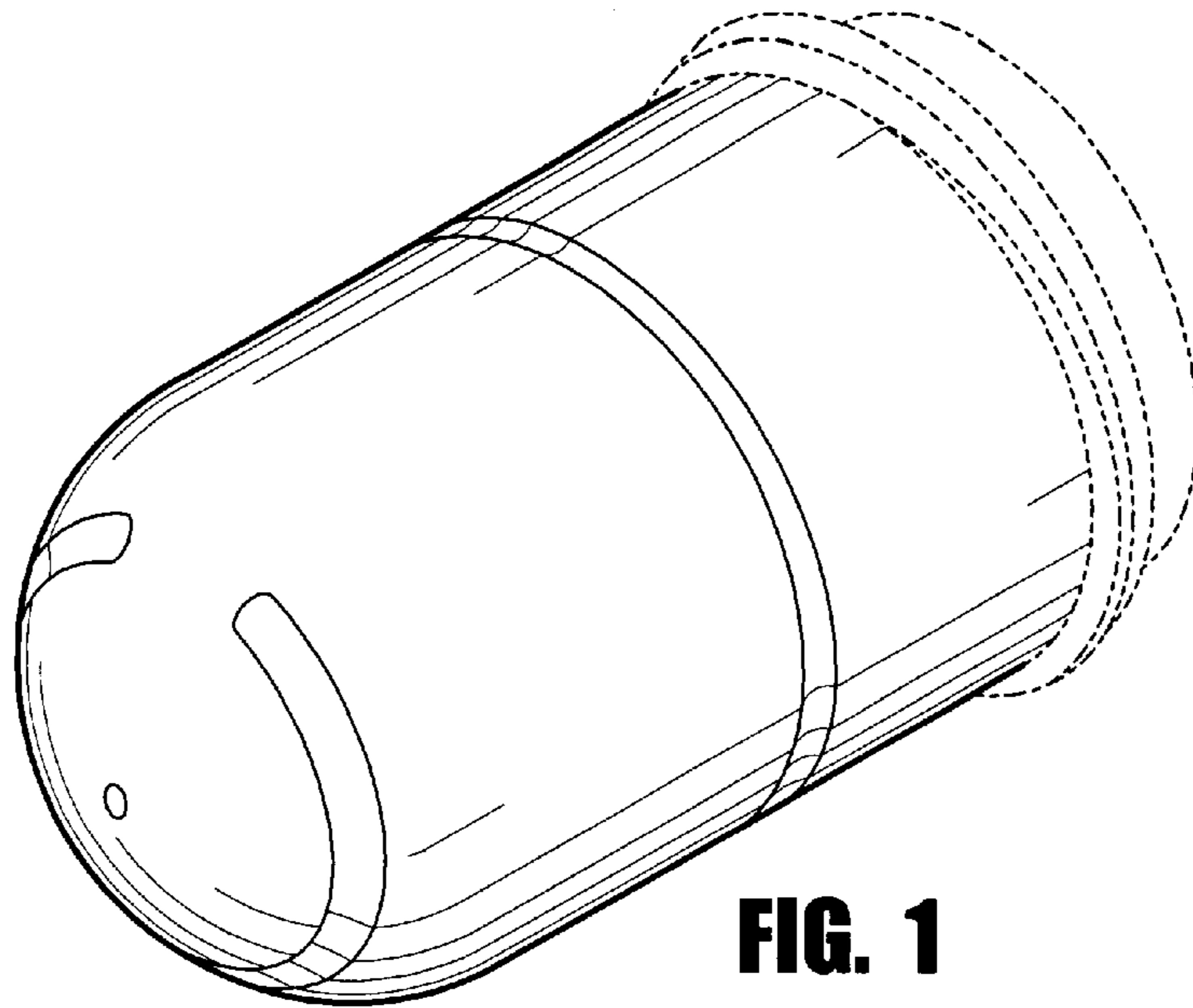


FIG. 1

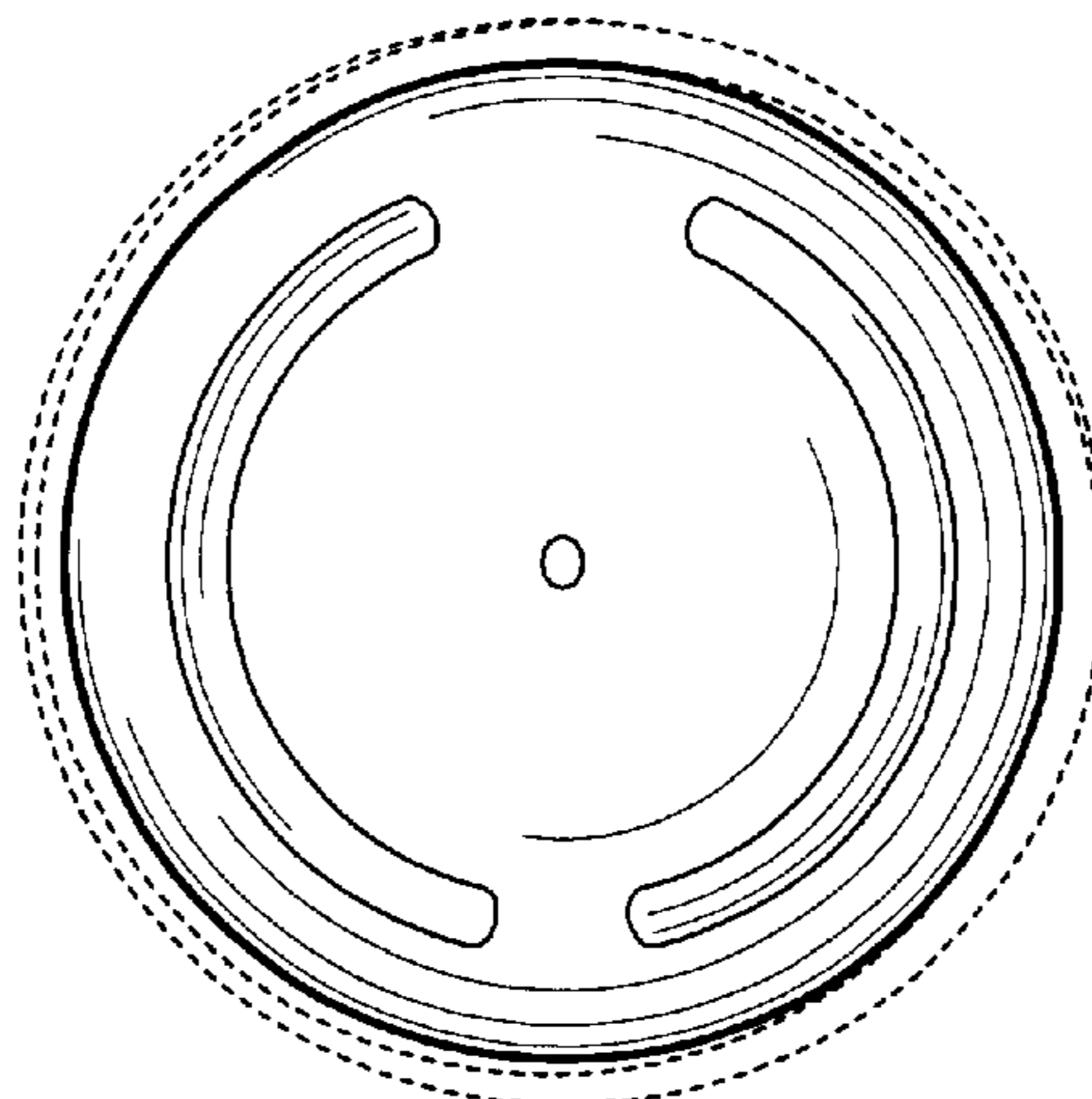


FIG. 2

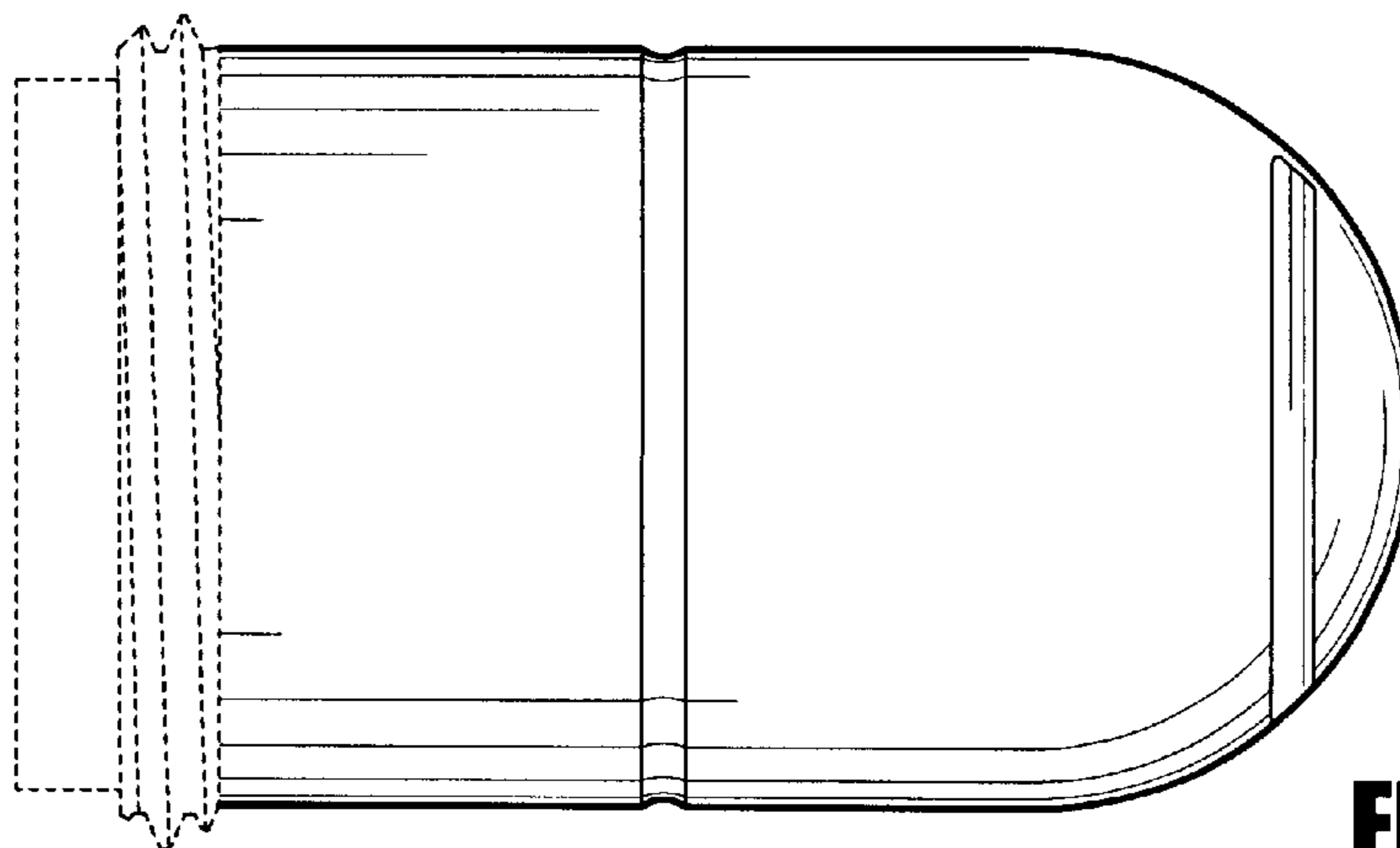


FIG. 3

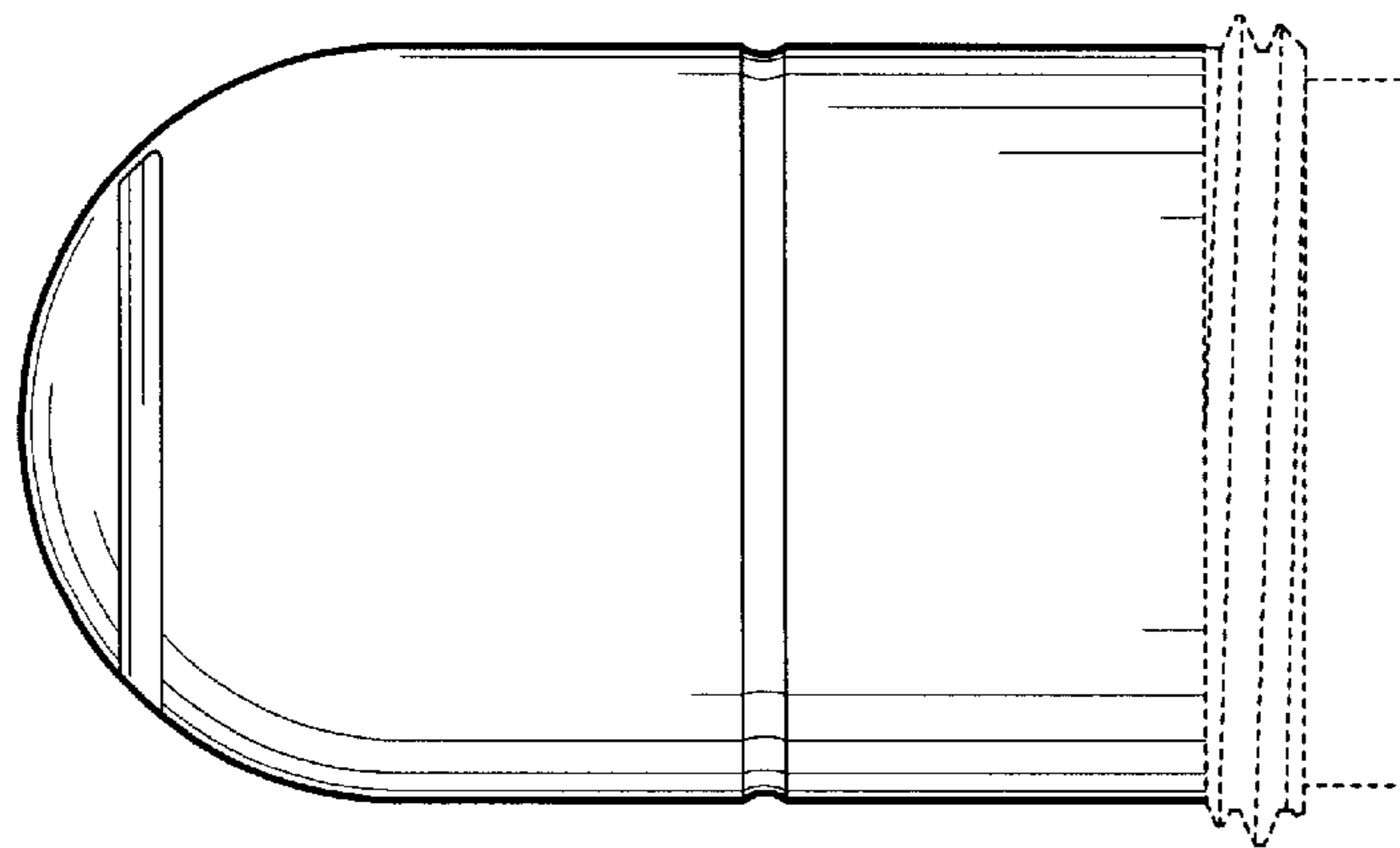


FIG. 4

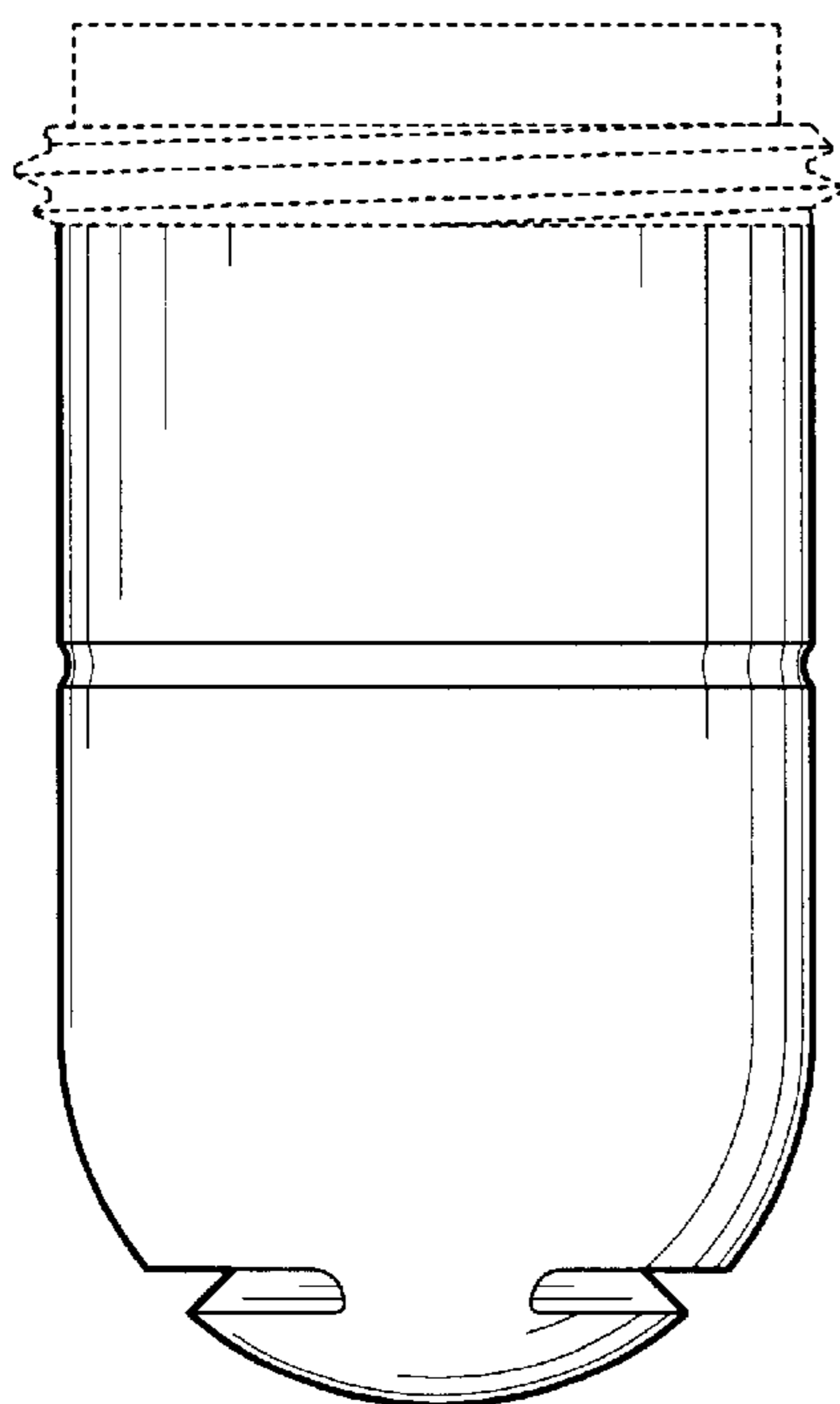


FIG. 5

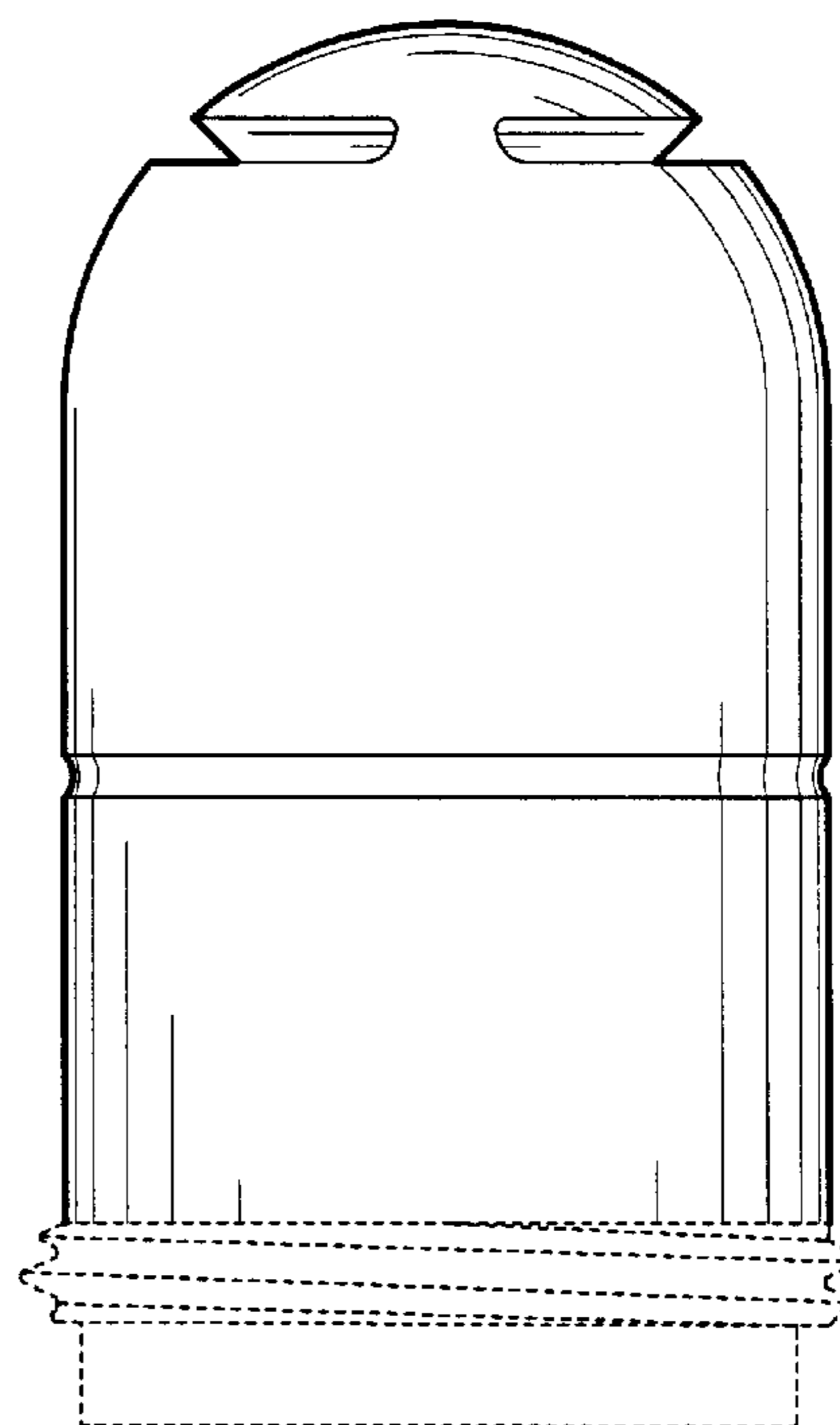


FIG. 6

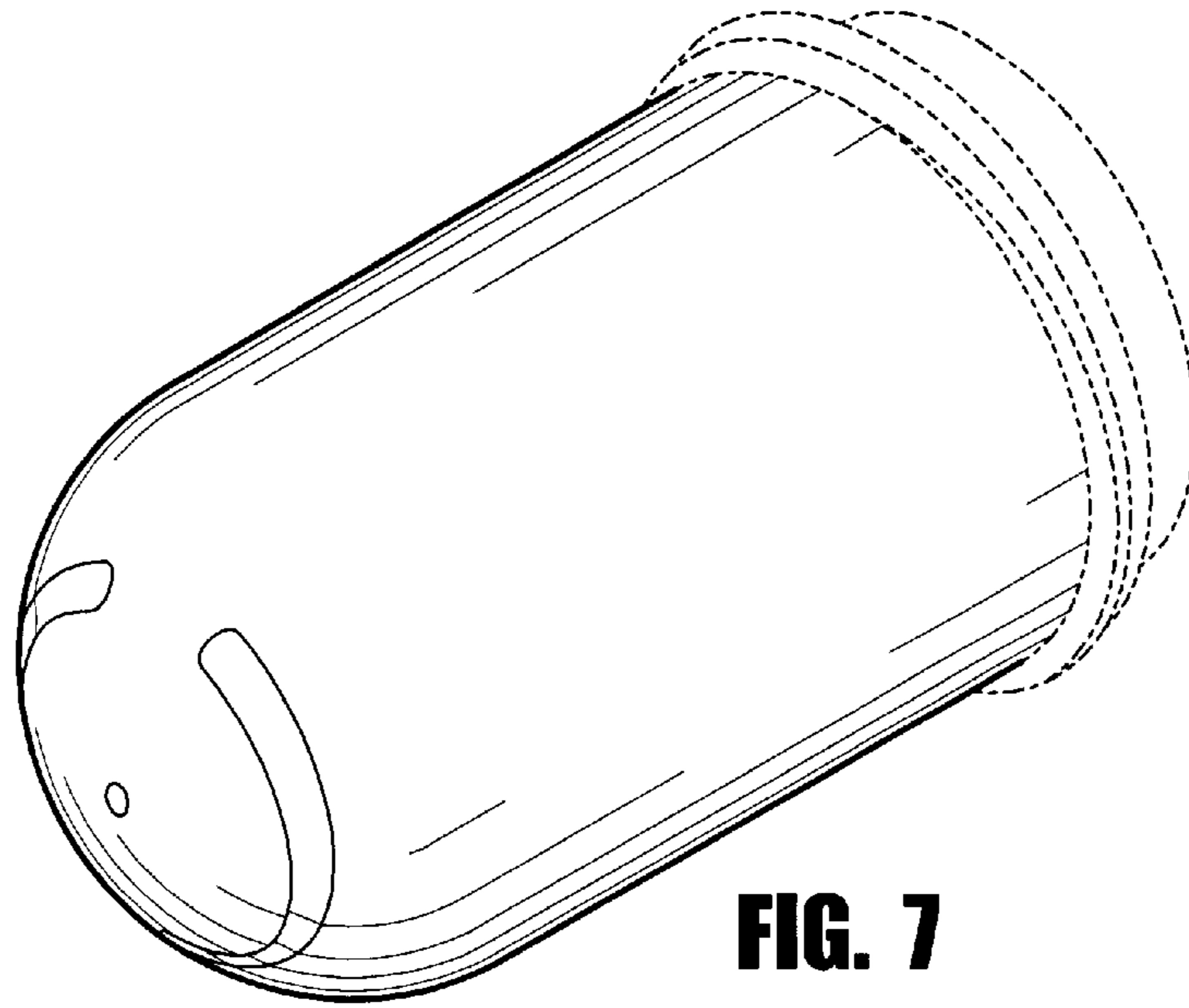


FIG. 7

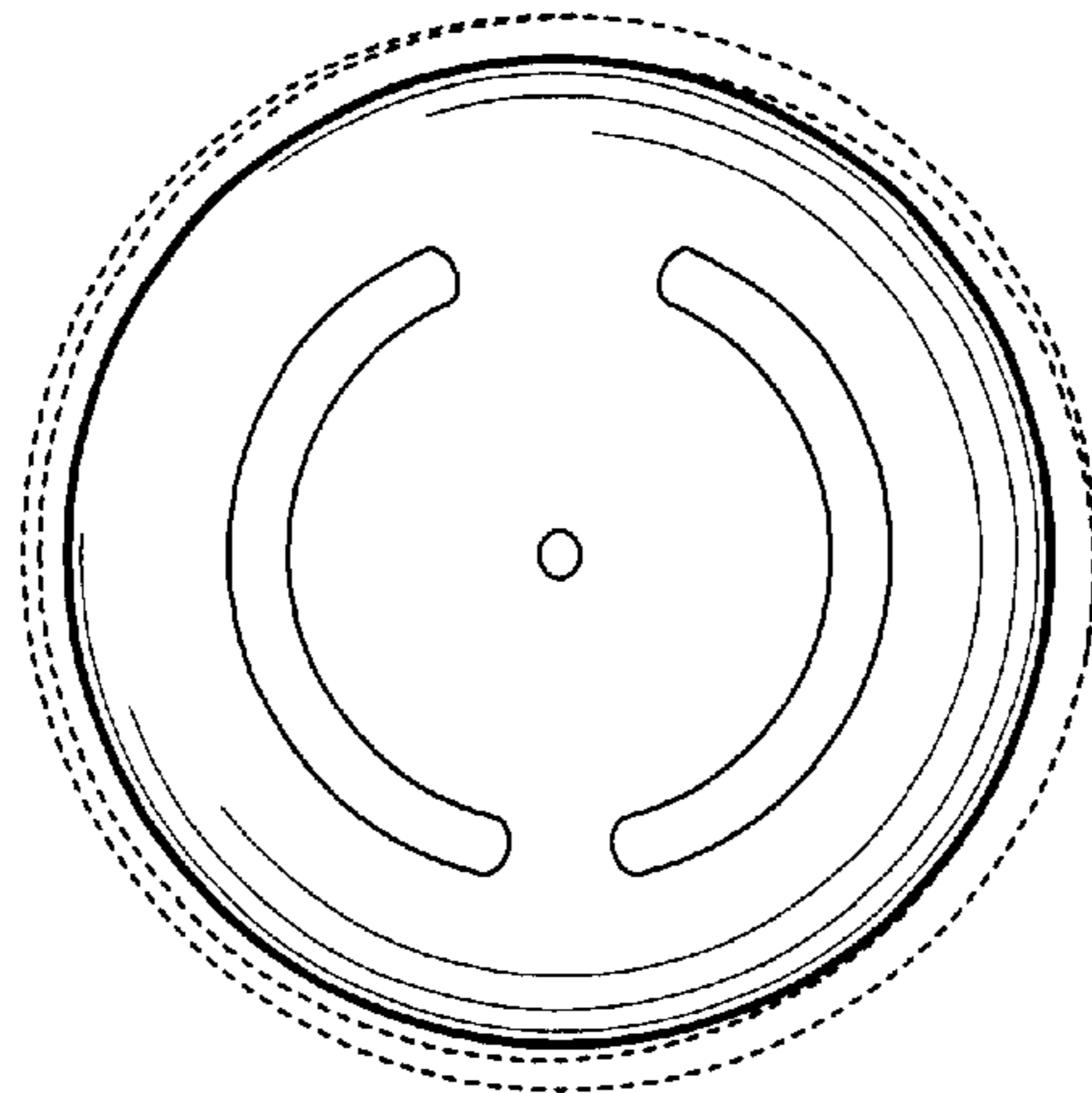


FIG. 8

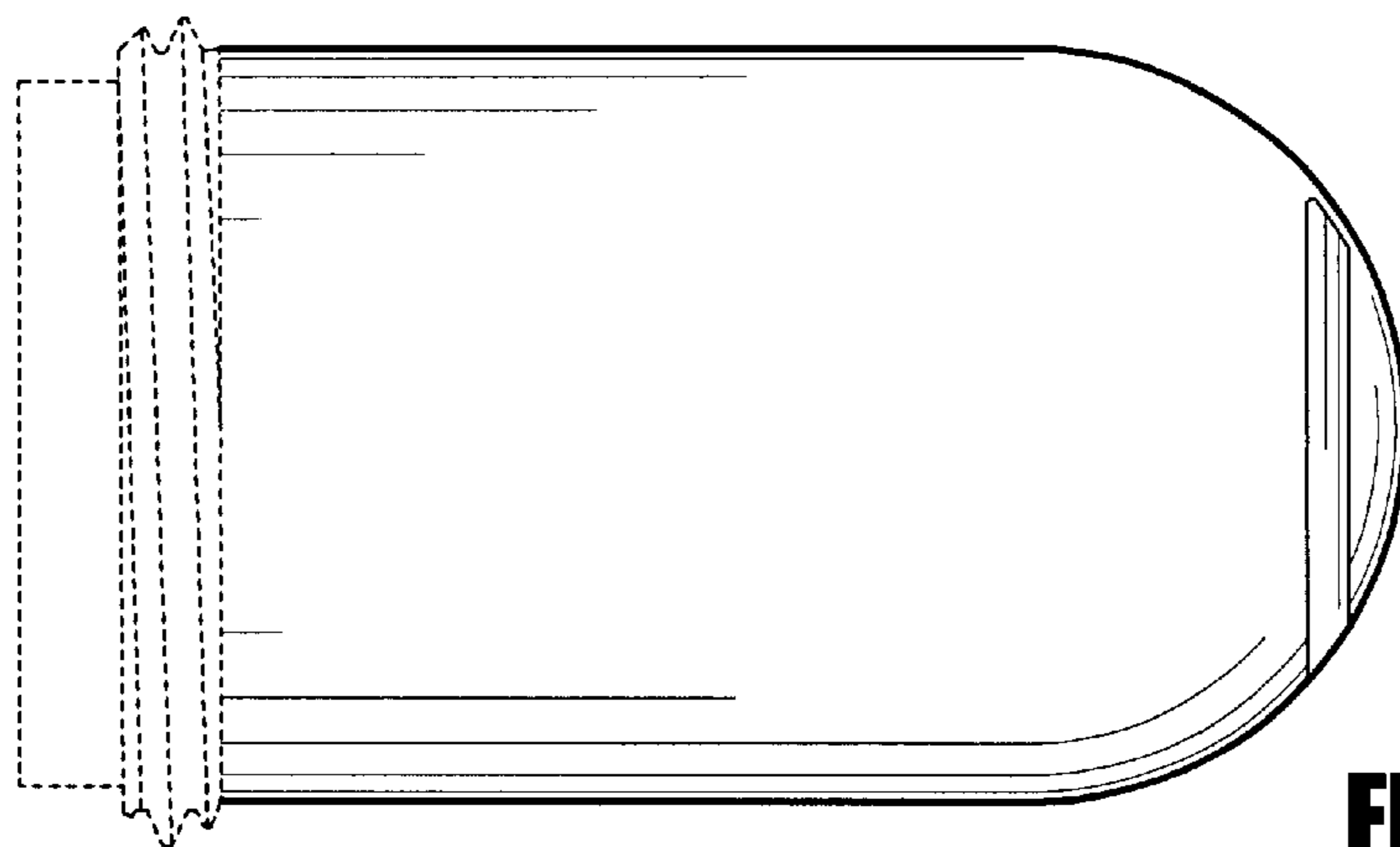


FIG. 9

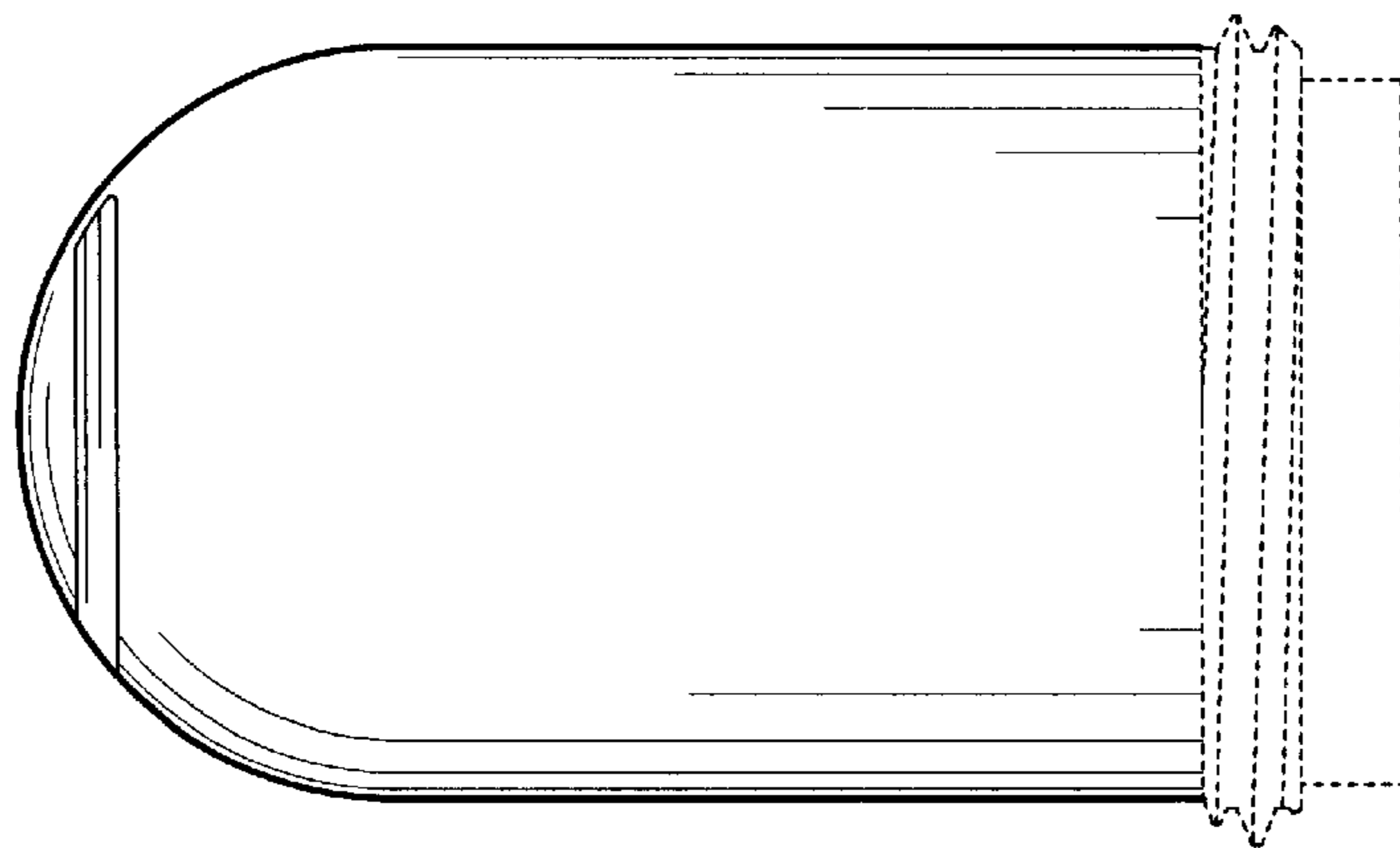


FIG. 10

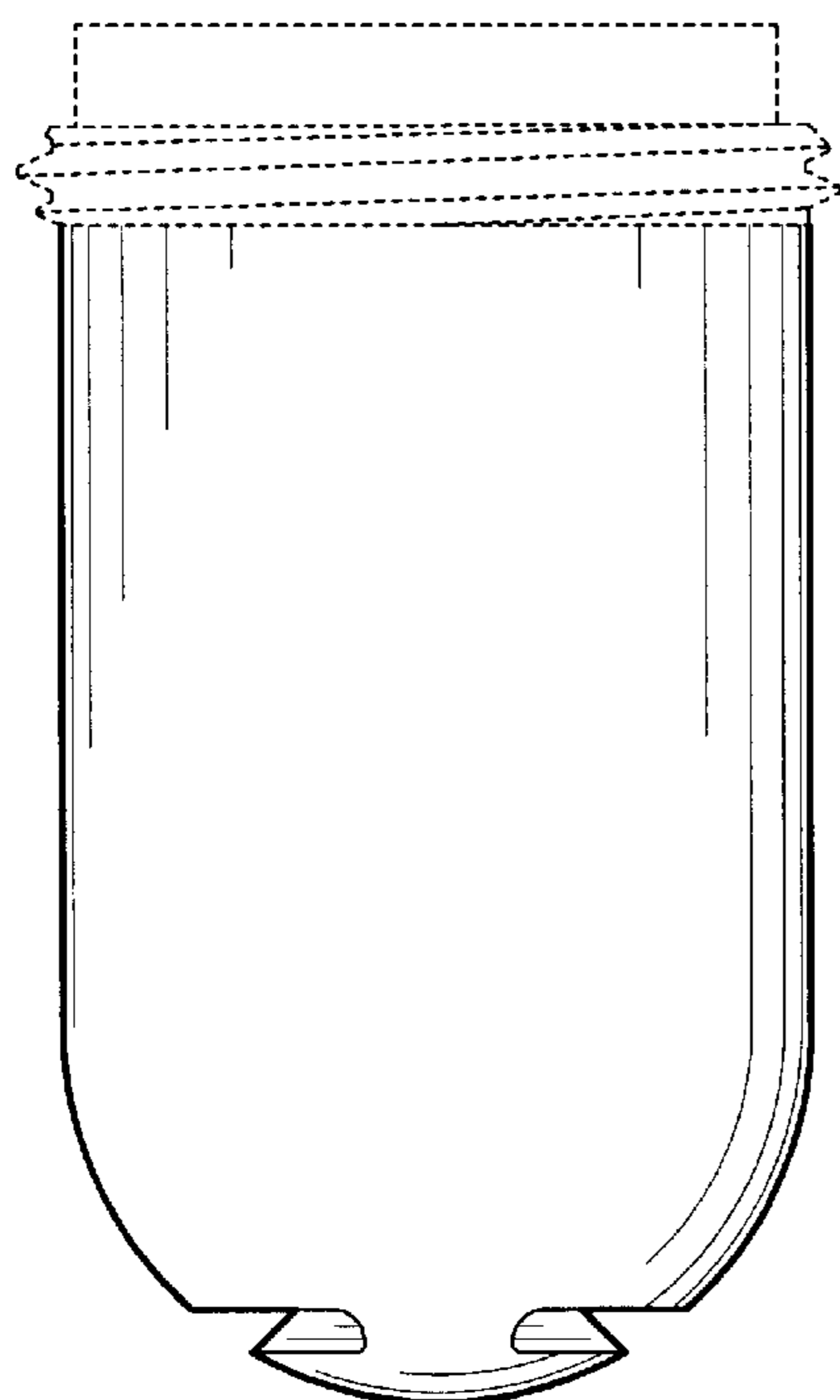


FIG. 11

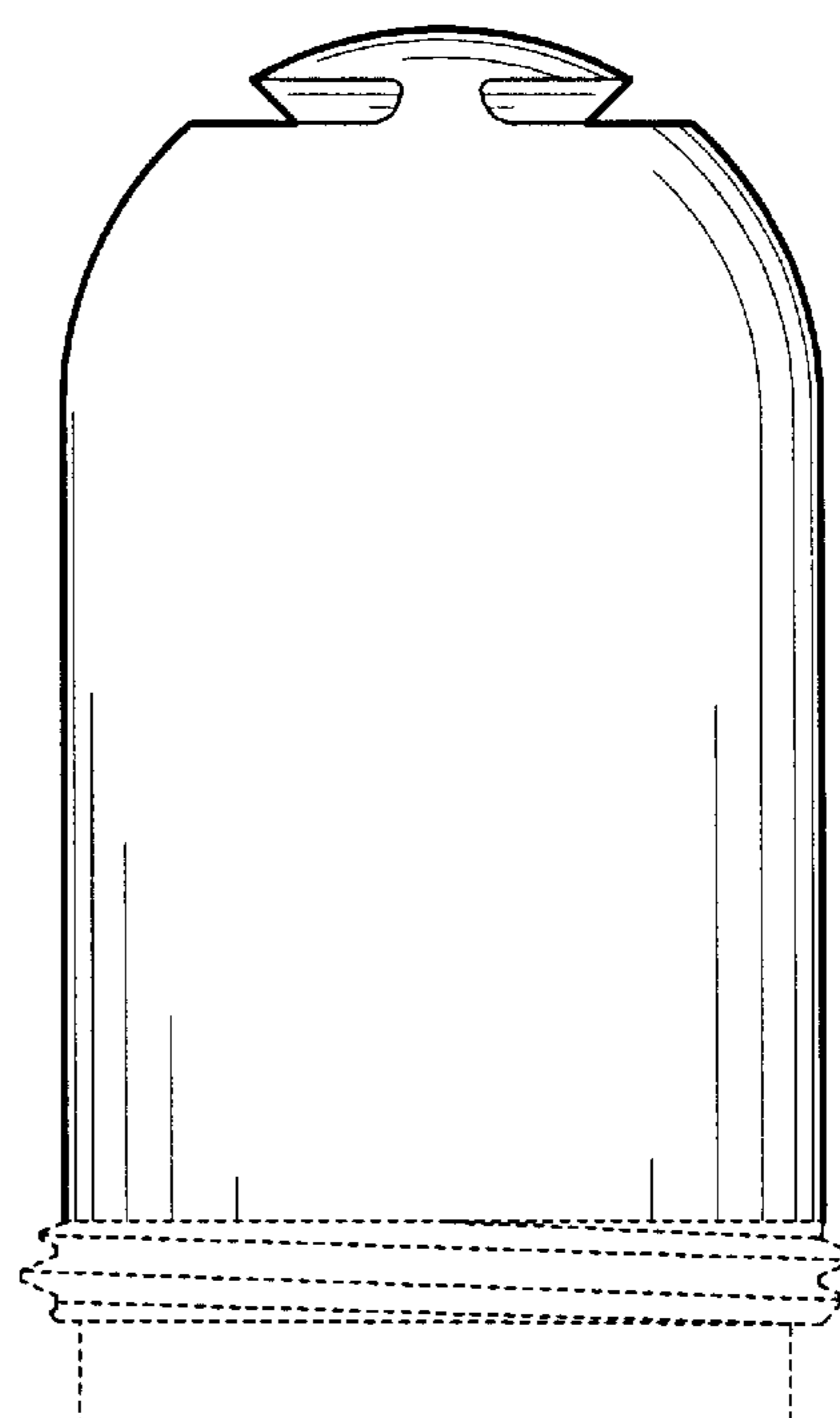


FIG. 12