



US00D532862S

(12) **United States Design Patent**  
**Chung**

(10) **Patent No.:** **US D532,862 S**

(45) **Date of Patent:** **\*\* Nov. 28, 2006**

(54) **WATER SPRAY DEVICE**

D515,662 S \* 2/2006 Chen ..... D23/223  
7,007,868 B1 \* 3/2006 Chen ..... 239/525

(76) Inventor: **Chiu-Chih Chung**, No. 31, Lane 275,  
Sec. 4, Lu Ho Rd., Lu Kan Chen,  
Chunghua Hsien (TW)

\* cited by examiner

*Primary Examiner*—Robin Webster

(74) *Attorney, Agent, or Firm*—Troxell Law Office, PLLC

(\*\*) Term: **14 Years**

(57) **CLAIM**

(21) Appl. No.: **29/230,727**

The ornamental design for a water spray device, as shown and described.

(22) Filed: **May 26, 2005**

**DESCRIPTION**

(51) **LOC (8) Cl.** ..... **23-01**

(52) **U.S. Cl.** ..... **D23/213**

(58) **Field of Classification Search** ..... D23/213,  
D23/223, 226; 239/525-6, 452, 458-9  
See application file for complete search history.

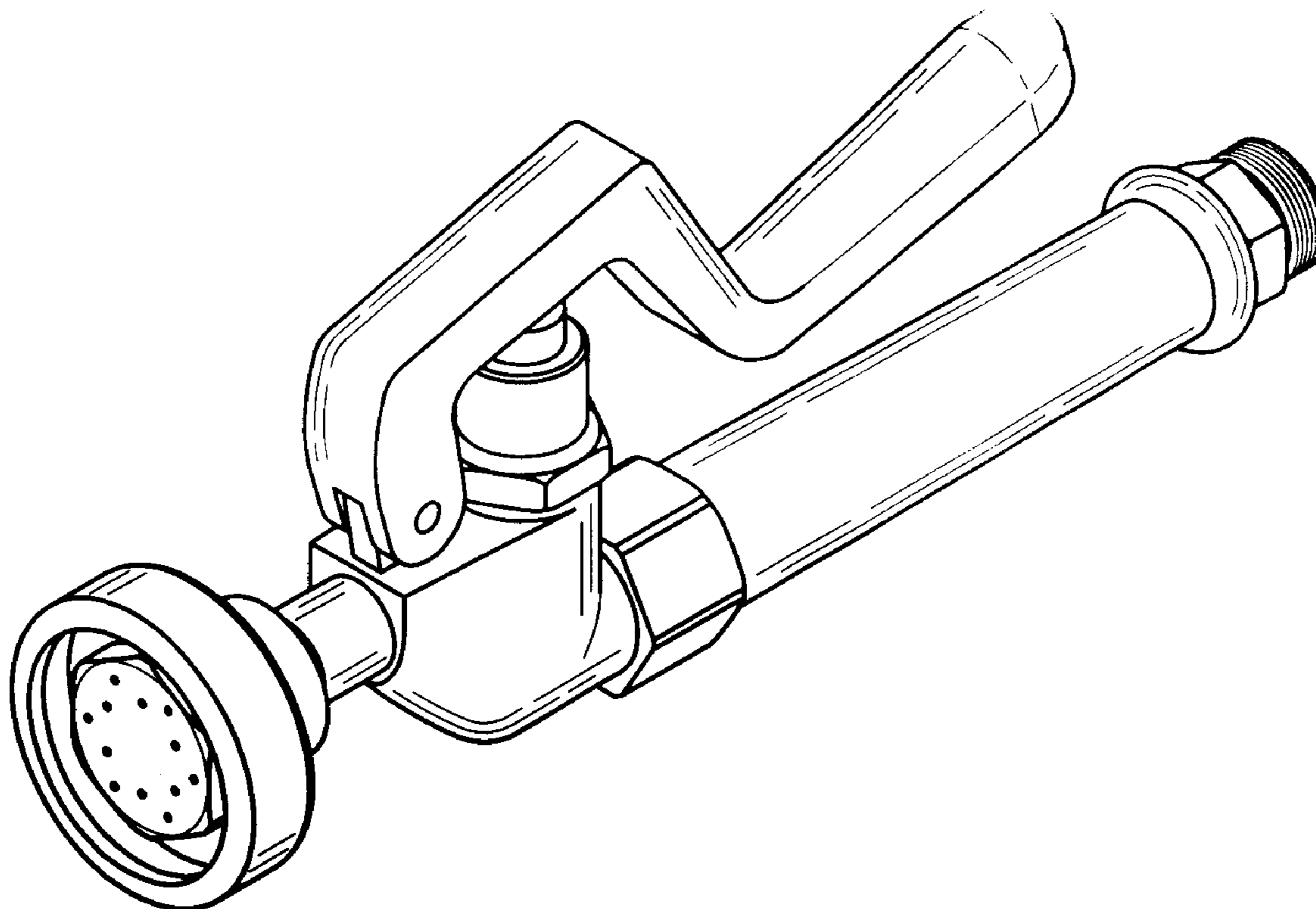
FIG. 1 is a front elevation view thereof;  
FIG. 2 is a rear elevation view thereof;  
FIG. 3 is a left side view thereof;  
FIG. 4 is a right side view thereof;  
FIG. 5 is a top plan view thereof;  
FIG. 6 is a bottom plan view thereof; and,  
FIG. 7 is a perspective view of a water spray device showing my new design.

(56) **References Cited**

**U.S. PATENT DOCUMENTS**

1,778,223 A \* 10/1930 Meng ..... 239/459  
2,034,867 A \* 3/1936 Hayes ..... 239/313  
3,540,657 A \* 11/1970 Thompson ..... 239/458

**1 Claim, 4 Drawing Sheets**



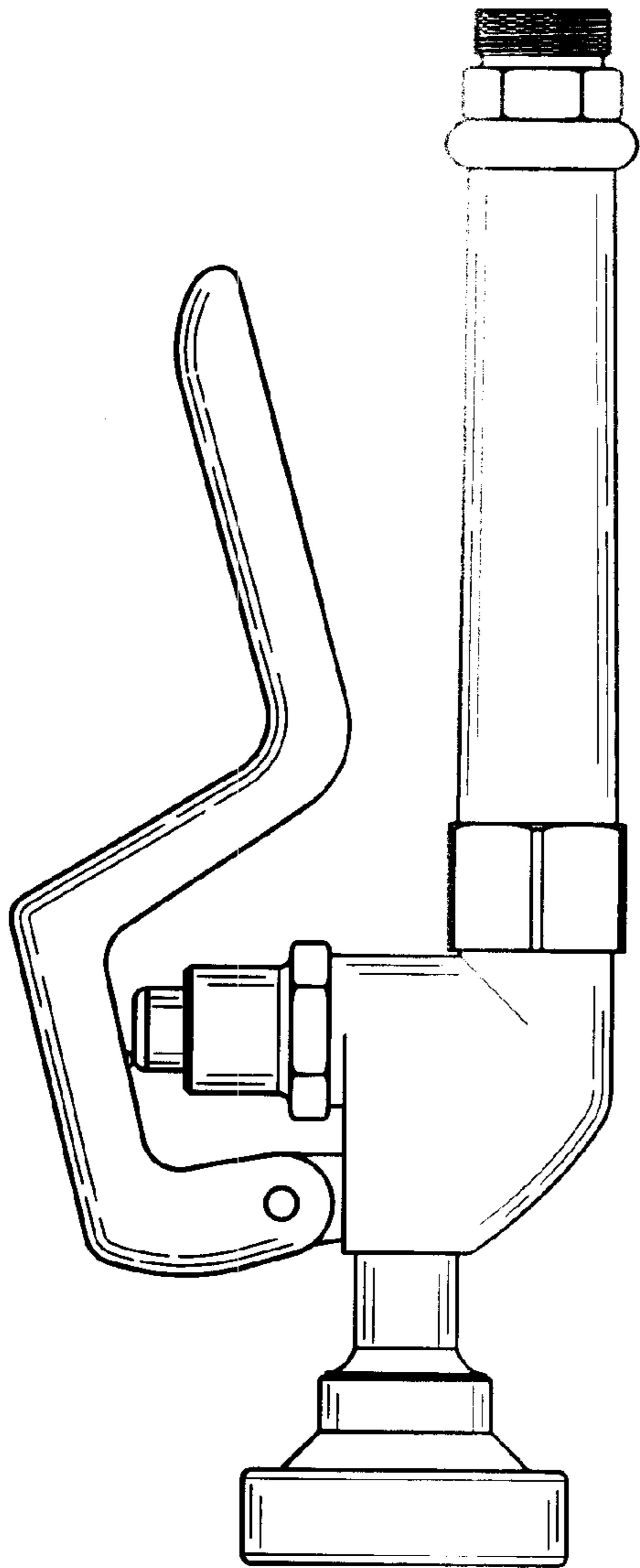


FIG. 1

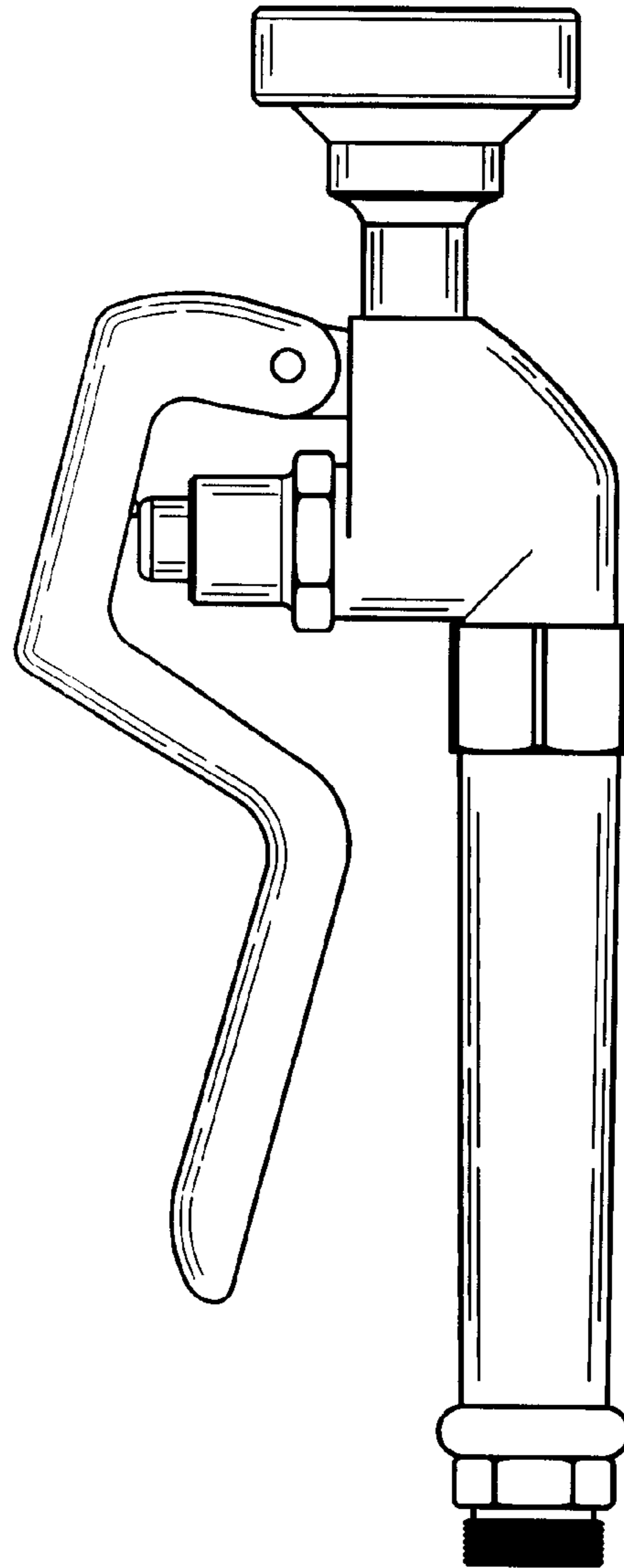


FIG. 2

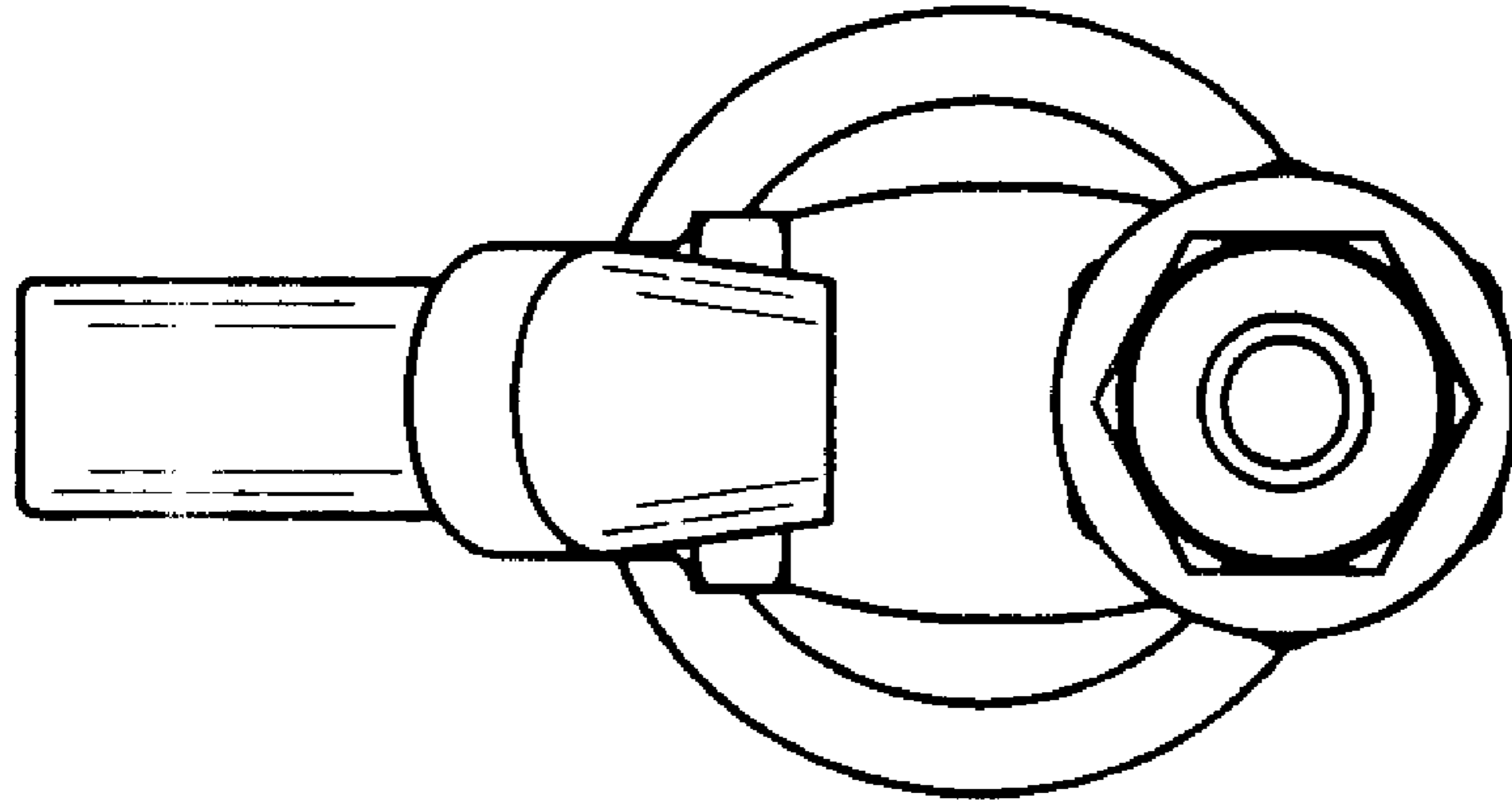


FIG. 4

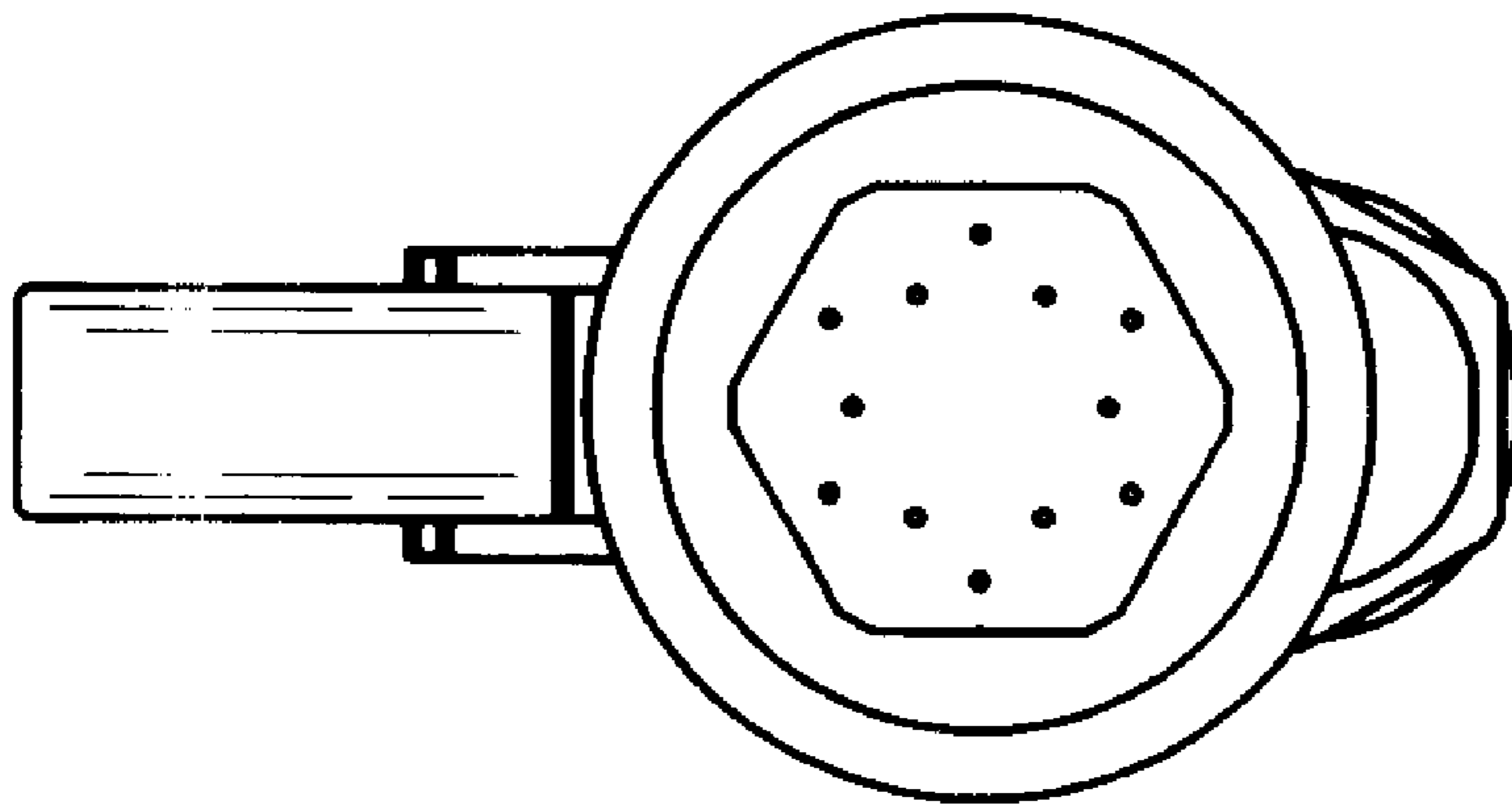


FIG. 3

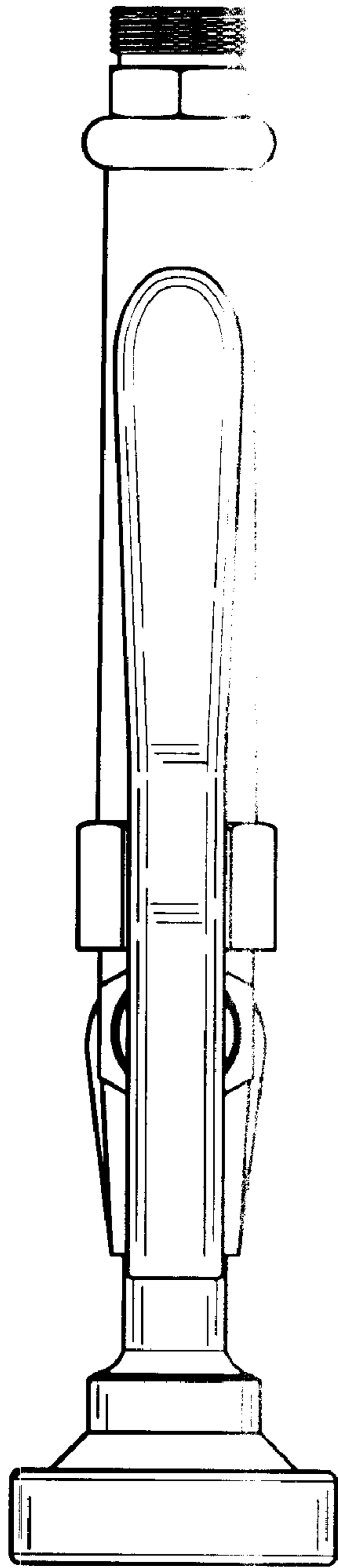


FIG. 5

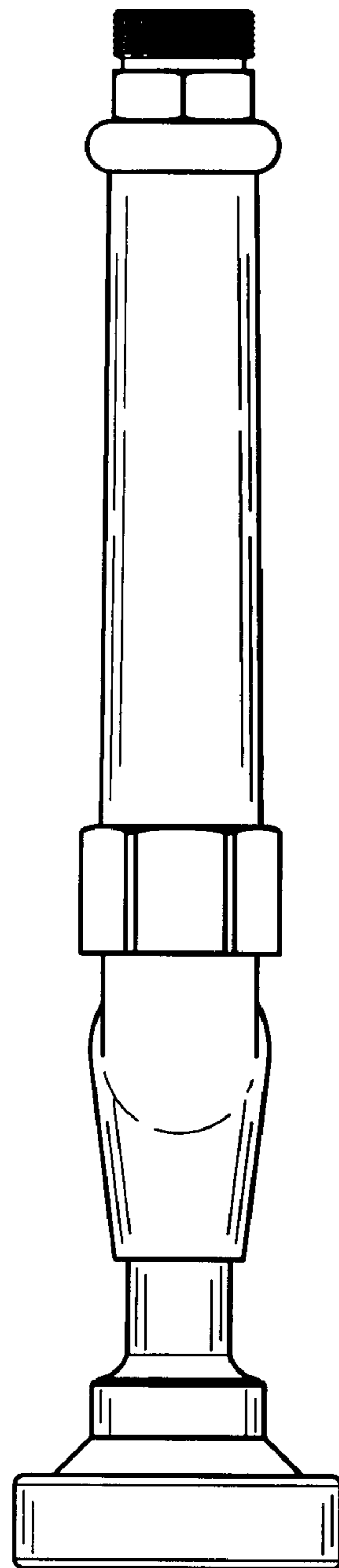


FIG. 6

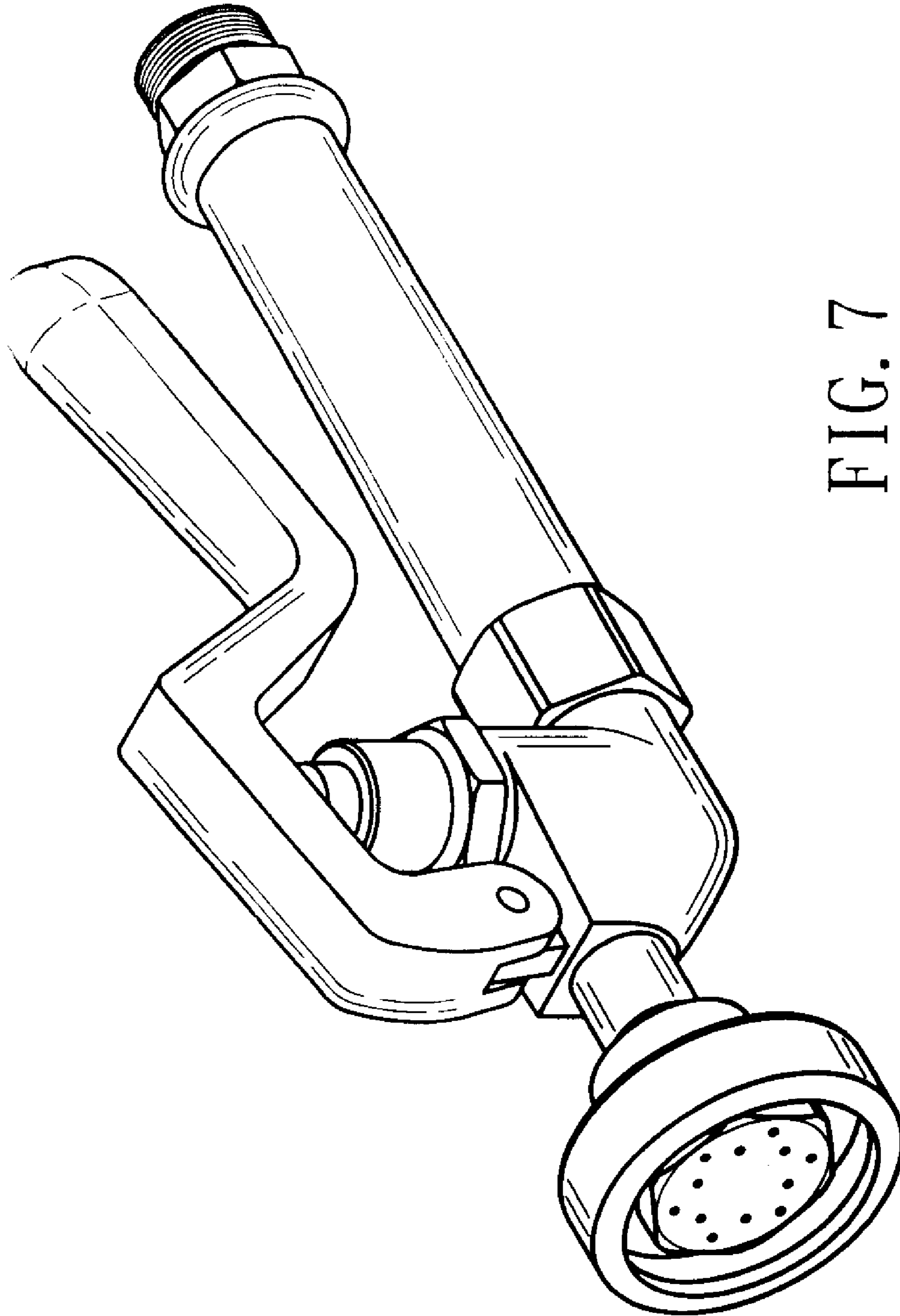


FIG. 7