

US00D532859S

(12) **United States Design Patent**
Stethem

(10) **Patent No.:** **US D532,859 S**

(45) **Date of Patent:** **** Nov. 28, 2006**

(54) **BATON**

(75) Inventor: **Kenneth J. Stethem**, Bellevue, ID (US)

(73) Assignee: **Aegis Industries, Inc.**, Bellevue, ID (US)

(**) Term: **14 Years**

(21) Appl. No.: **29/241,158**

(22) Filed: **Oct. 24, 2005**

(51) **LOC (8) Cl.** **22-02**

(52) **U.S. Cl.** **D22/117**

(58) **Field of Classification Search** D22/117,
D22/199; 224/914; 463/47.2-47.6; 362/102

See application file for complete search history.

(56) **References Cited**

U.S. PATENT DOCUMENTS

3,385,601 A	5/1968	Black	463/47.4
D243,261 S	2/1977	Sartell	D21/400
D255,139 S	5/1980	Smith	D22/117
D273,216 S	3/1984	Sinrod	D22/117
D282,863 S	3/1986	Kashary, Jr.	D22/117
D300,838 S	4/1989	Smith, Sr.	D21/400
D315,392 S	3/1991	Lew	D22/117
D333,692 S	3/1993	Parsons	D22/117
D333,693 S	3/1993	Parsons	D22/117
5,320,349 A *	6/1994	Winston	463/47.6
D348,771 S	7/1994	Barnes	D3/209
D359,338 S	6/1995	Starrett	D22/117
D360,007 S	7/1995	Farr	D22/117
D365,622 S	12/1995	Edwards	D22/117
D370,276 S	5/1996	Davis	D26/37
D391,336 S	2/1998	Cecilio	D22/117
D395,069 S	6/1998	Starrett	D22/117
D401,374 S	11/1998	Lum	D26/38
5,829,643 A	11/1998	Isabella	222/175

D404,789 S	1/1999	Starrett	D22/117
D418,617 S	1/2000	Parsons	D26/46
D421,503 S	3/2000	Parsons	D26/49
D435,888 S	1/2001	Iyoob	D22/117
D440,273 S	4/2001	Hindi	D22/117
D450,451 S	11/2001	Starrett	D3/229
D452,545 S	12/2001	Starrett	D22/117
D464,367 S	10/2002	Conrad	D17/99
D467,828 S	12/2002	Jones	D11/26
6,499,855 B1	12/2002	Kukuk	362/102
D474,827 S	5/2003	Todd	D22/117
D479,298 S	9/2003	Parsons	D22/117
D483,432 S	12/2003	Parsons	D22/117
D487,629 S	3/2004	Parsons et al.	D3/220
D504,712 S	5/2005	Powell	D22/117
D517,154 S *	3/2006	Otto	D22/117
D520,593 S *	5/2006	Anderson	D22/117
D520,733 S *	5/2006	Siteman	D22/117

* cited by examiner

Primary Examiner—Catherine R. Oliver

(74) *Attorney, Agent, or Firm*—Goodwin Procter LLP

(57) **CLAIM**

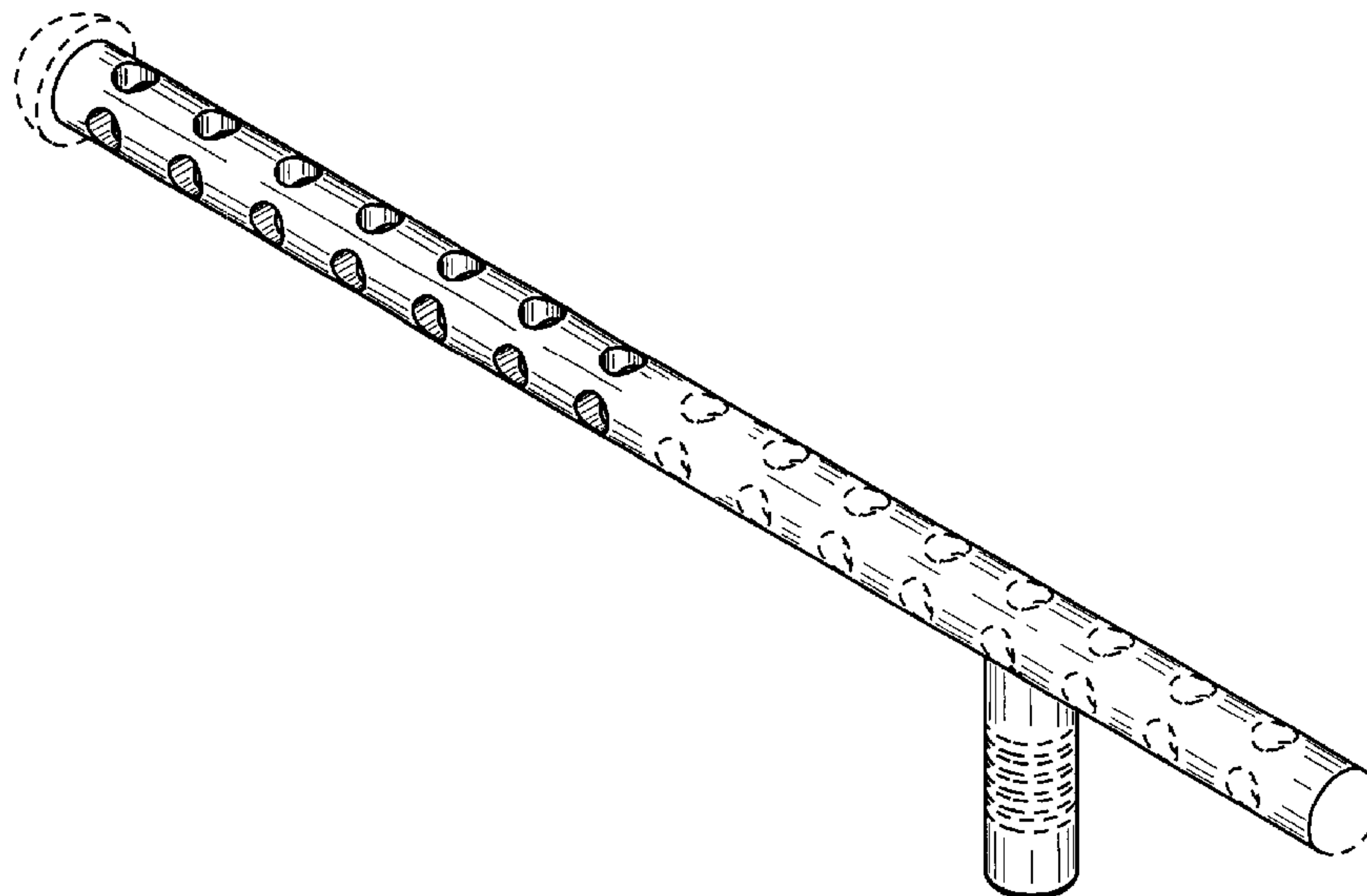
The ornamental design for a baton, as shown and described.

DESCRIPTION

FIG. 1 is a perspective view of the baton;
FIG. 2 is a bottom plan view of the baton;
FIG. 3 is a first end elevational view of the baton;
FIG. 4 is a side elevational view of the baton;
FIG. 5 is a second end elevational view of the baton;
FIG. 6 is a top plan view of the baton; and,
FIG. 7 is a cross-sectional view of the baton, taken along line 7—7 of FIG. 1.

The grip, butt ends, and certain openings on the baton are shown in uneven broken lines for illustrative purposes only and form no part of the claimed design.

1 Claim, 2 Drawing Sheets



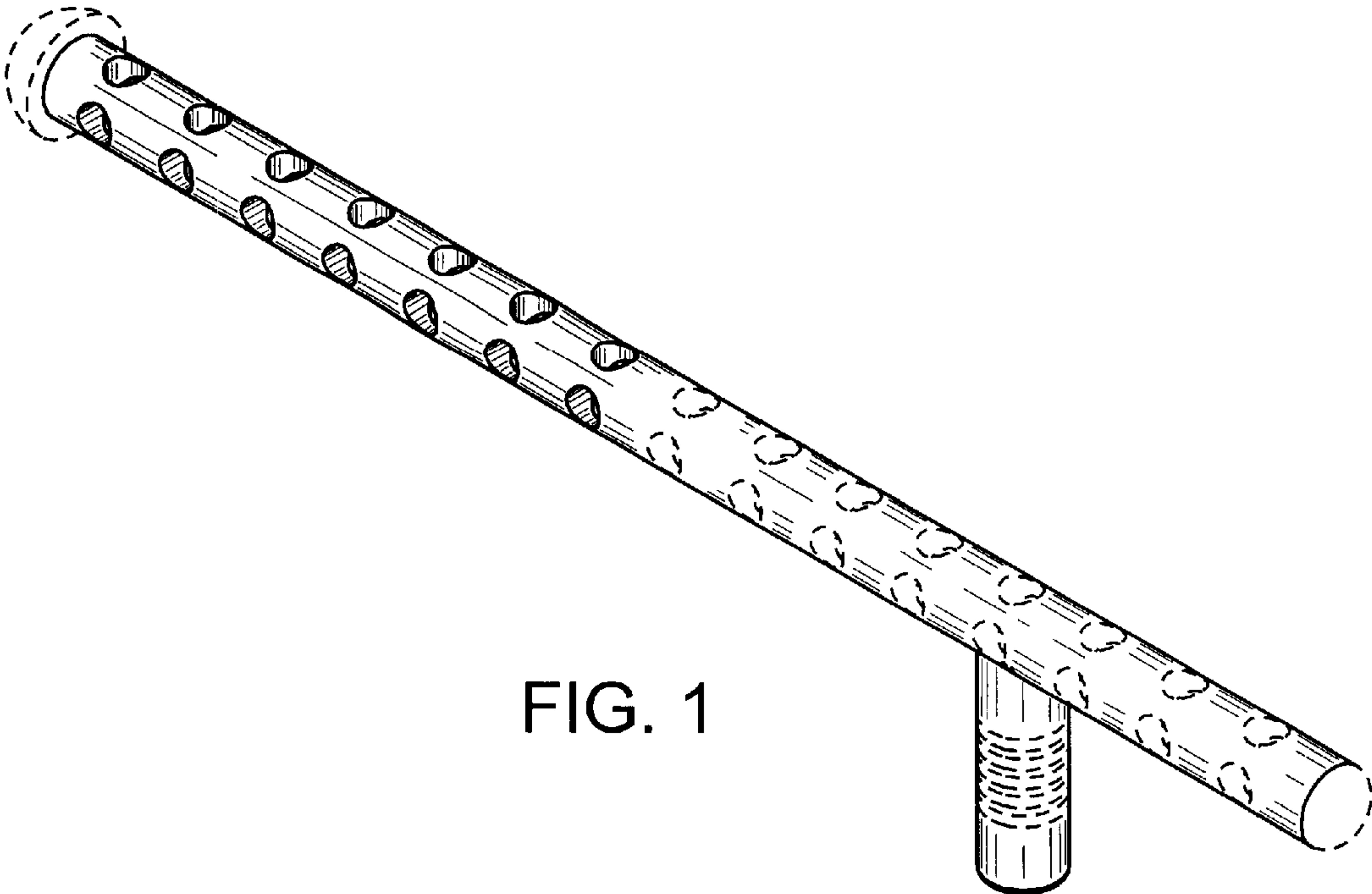


FIG. 1

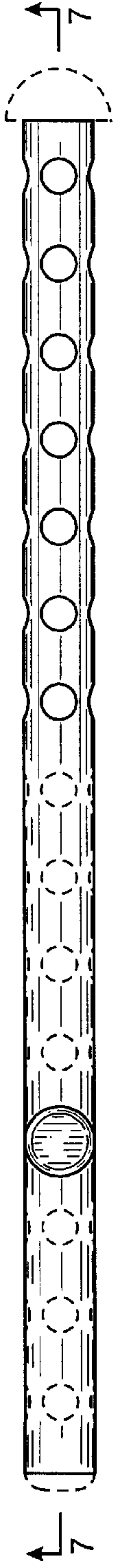


FIG. 2

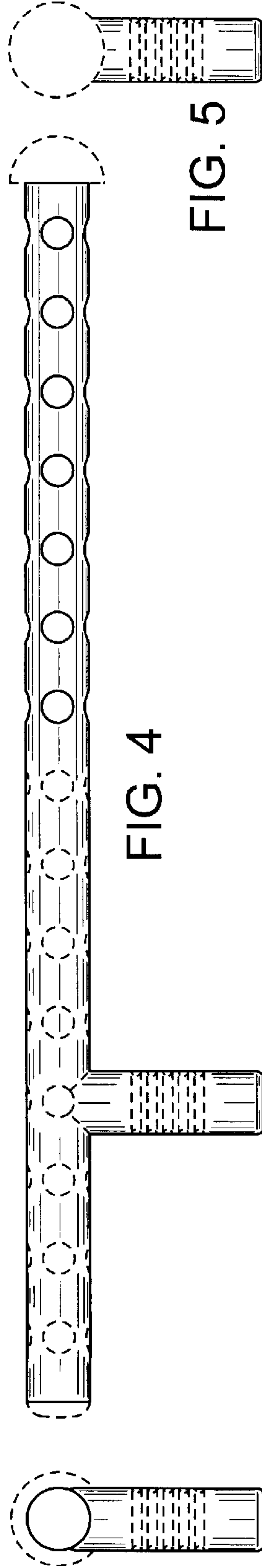


FIG. 5

FIG. 3

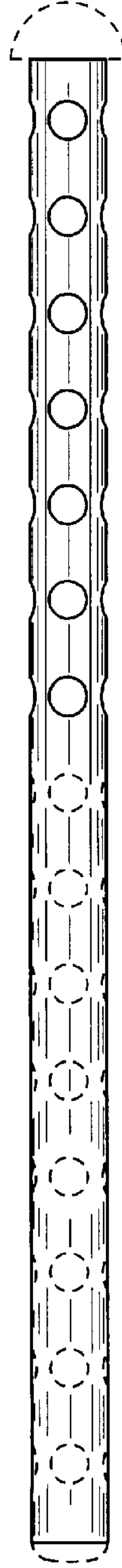


FIG. 6



FIG. 7

