

US00D532856S

(12) **United States Design Patent**
McCabe

(10) **Patent No.:** **US D532,856 S**

(45) **Date of Patent:** **** *Nov. 28, 2006**

(54) **GOLF CLUB COVER**

(75) Inventor: **Robert McCabe**, LaGrange, IL (US)

(73) Assignee: **Jetpower, Inc.**, LaGrange, IL (US)

(*) Notice: This patent is subject to a terminal disclaimer.

(**) Term: **14 Years**

(21) Appl. No.: **29/233,425**

(22) Filed: **Jul. 5, 2005**

(51) **LOC (8) Cl.** **21-02**

(52) **U.S. Cl.** **D21/754**

(58) **Field of Classification Search** D21/754;
150/160; 446/297

See application file for complete search history.

(56) **References Cited**

U.S. PATENT DOCUMENTS

D395,694 S	*	6/1998	Perry et al.	D21/754
D401,638 S	*	11/1998	Pollard	D21/754
D403,727 S	*	1/1999	Colinelli	D21/754
6,113,457 A	*	9/2000	Kociemba	446/297

D443,666 S	*	6/2001	Perry et al.	D21/754
D465,536 S	*	11/2002	Pontiff	D21/754
D466,568 S	*	12/2002	Pontiff	D21/754
D466,572 S	*	12/2002	Pontiff	D21/754
D506,519 S	*	6/2005	McCabe	D21/754
D508,100 S	*	8/2005	McCabe	D21/754

* cited by examiner

Primary Examiner—Mitchell Siegel

(74) *Attorney, Agent, or Firm*—Justin Lampel

(57) **CLAIM**

The ornamental design for a golf club cover, as shown and described.

DESCRIPTION

FIG. 1 is a side perspective view of a golf club cover showing my design;

FIG. 2 is a top plan view of the present invention;

FIG. 3 is a side view of the present invention;

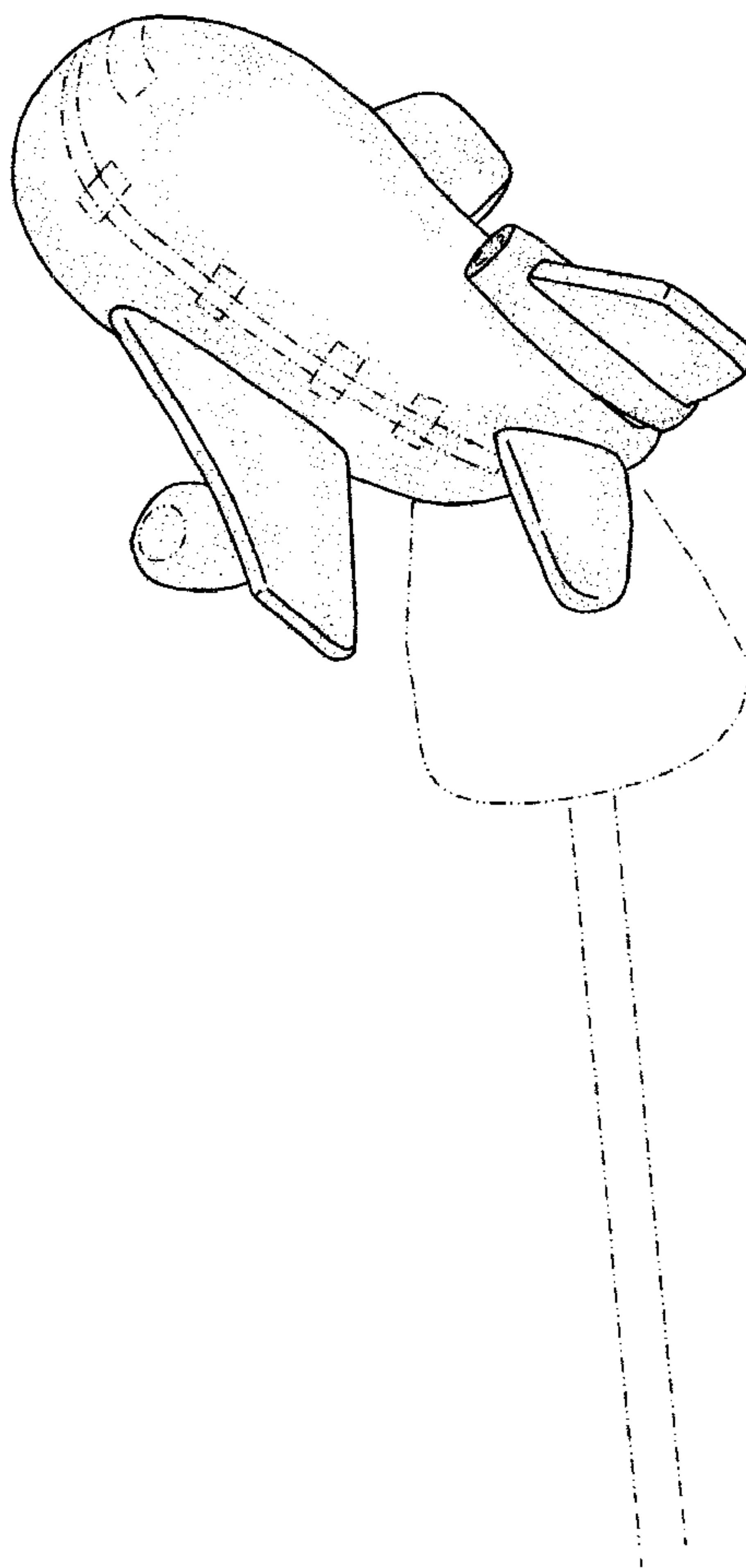
FIG. 4 is a front view of the present invention;

FIG. 5 is a bottom plan view of the present invention; and,

FIG. 6 is a rear view of the present invention.

The broken line showing is for illustrative purposes only and forms no part of the claimed design.

1 Claim, 3 Drawing Sheets



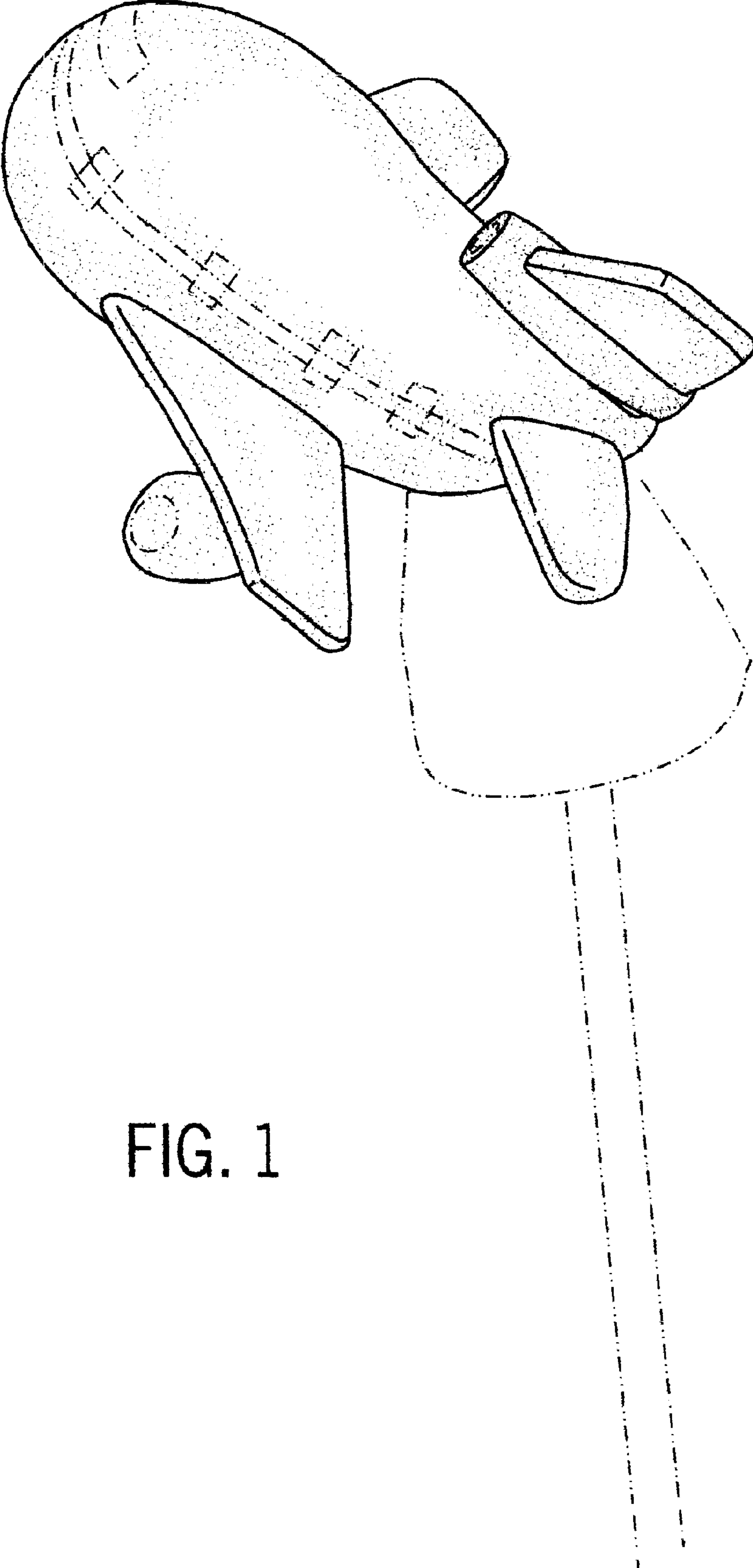


FIG. 1

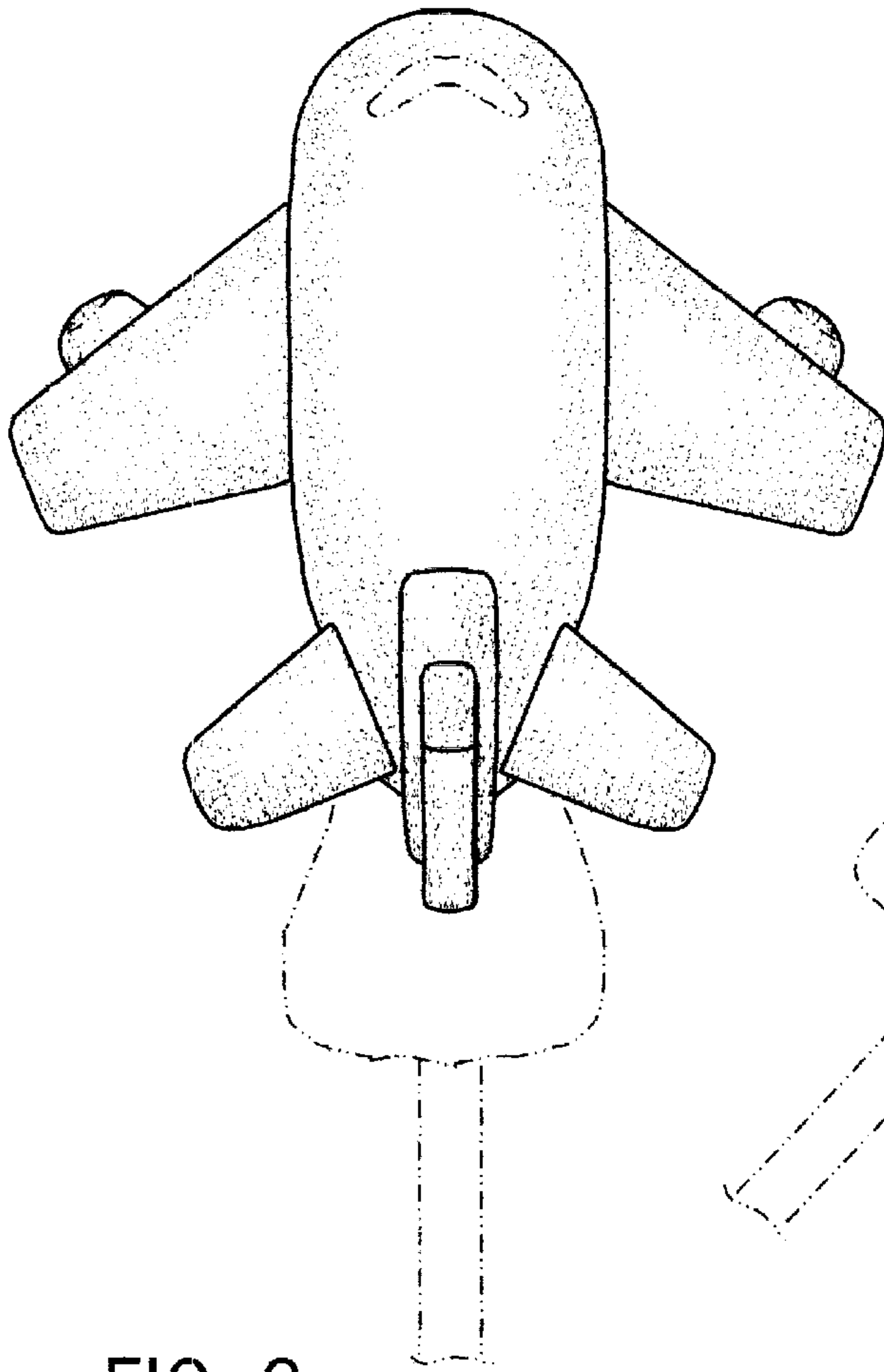


FIG. 2

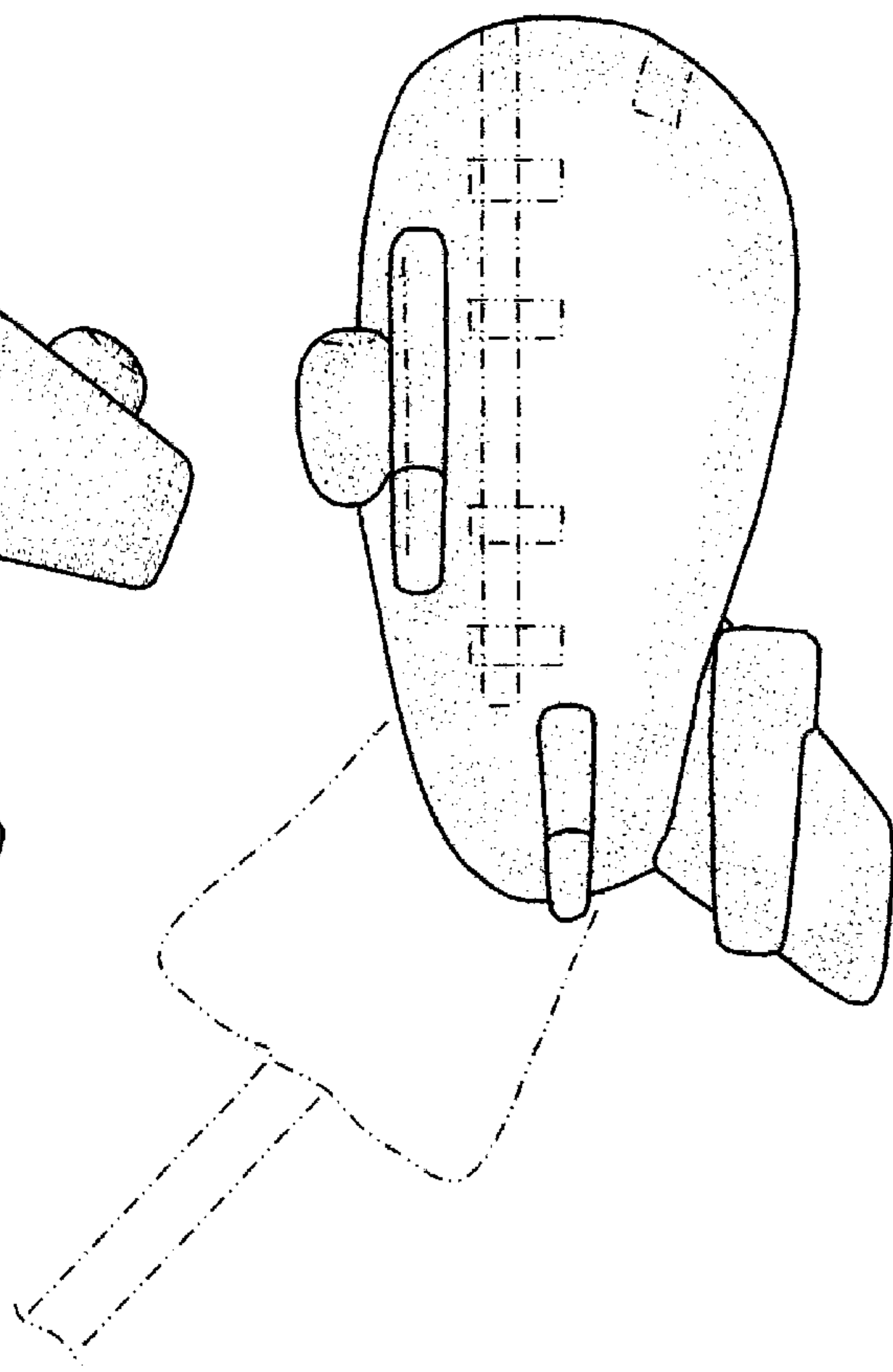
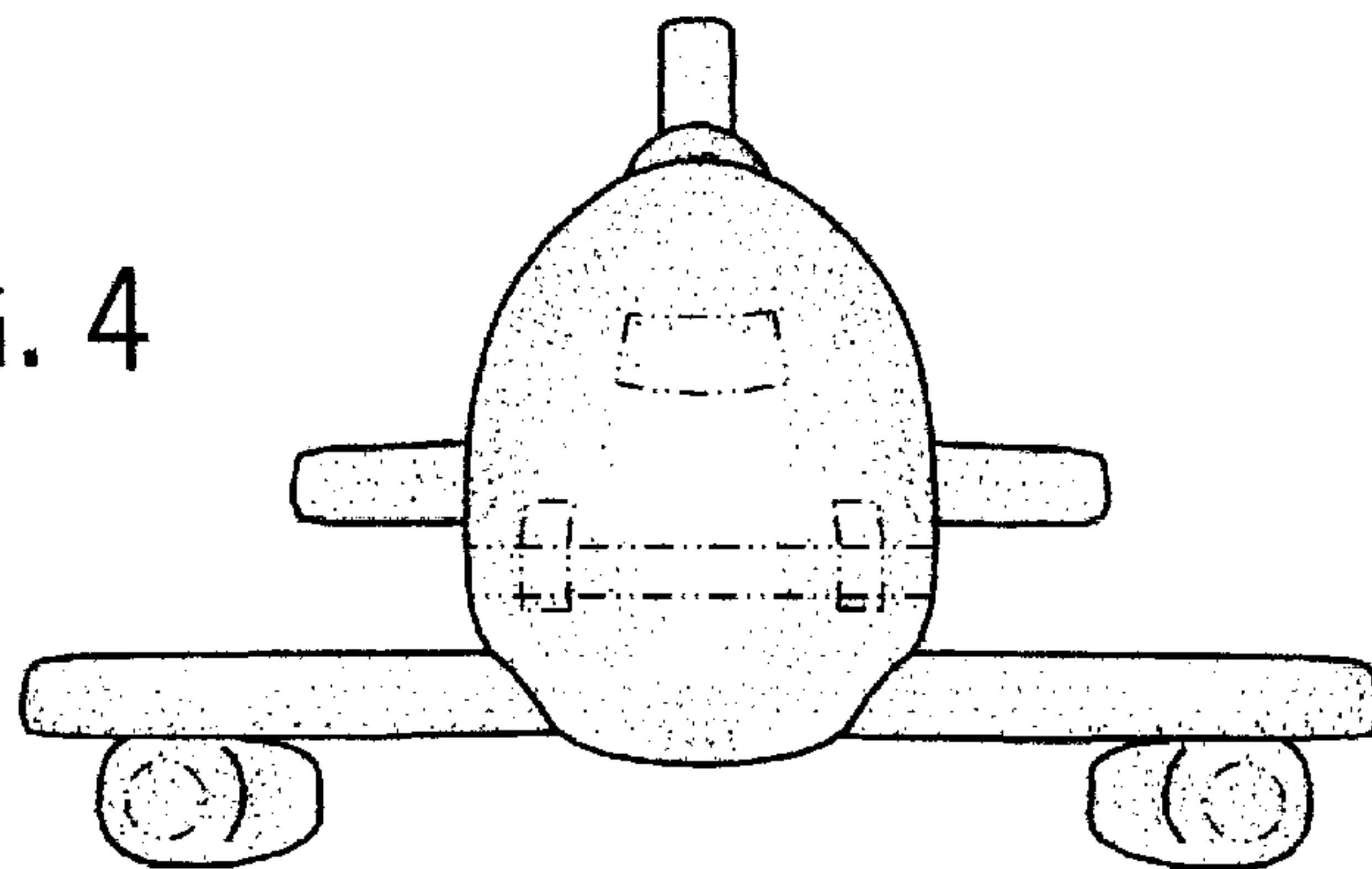


FIG. 3

FIG. 4



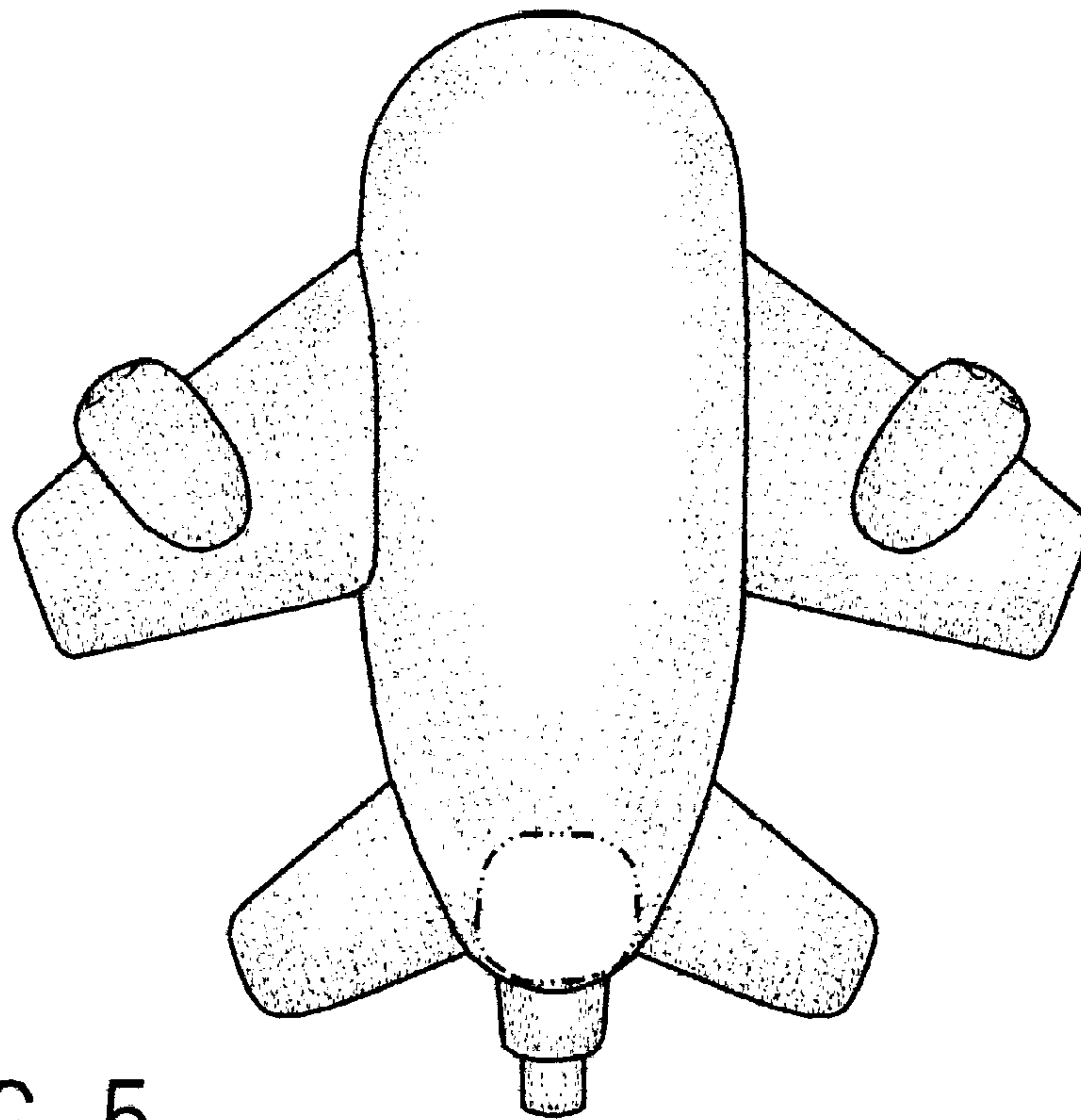


FIG. 5

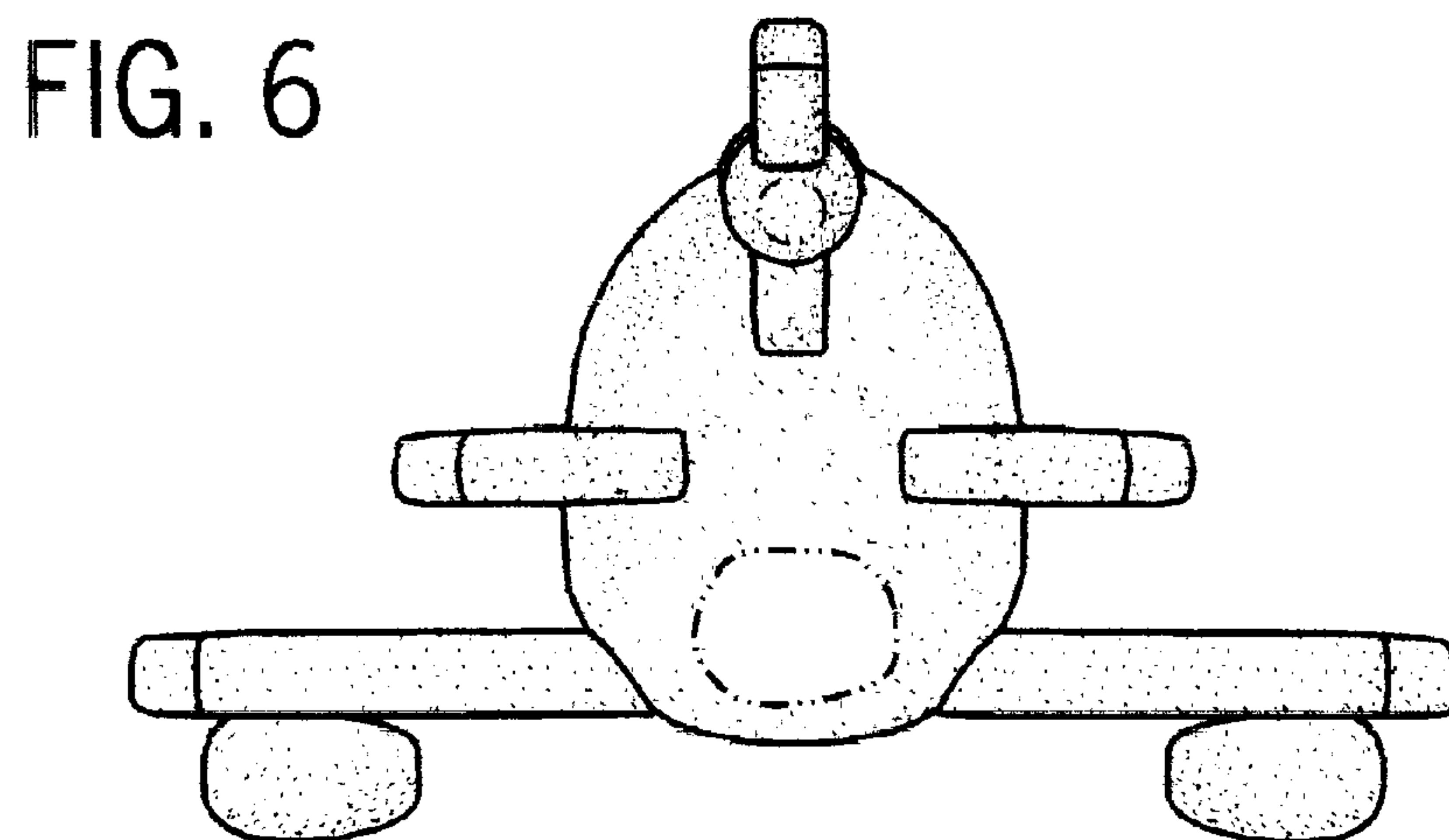


FIG. 6