



US00D532847S

(12) **United States Design Patent**  
**Rollinson**

(10) **Patent No.:** **US D532,847 S**

(45) **Date of Patent:** **\*\* Nov. 28, 2006**

(54) **PUTTER HEAD**

5,685,784 A \* 11/1997 Butler ..... 473/340

(75) Inventor: **Augustin W. Rollinson**, San Diego, CA (US)

\* cited by examiner

(73) Assignee: **Callaway Golf Company**, Carlsbad, CA (US)

*Primary Examiner*—Mitchell Siegel

(74) *Attorney, Agent, or Firm*—Michael A. Catania; Elaine H. Lo

(\*\*) Term: **14 Years**

(57) **CLAIM**

The ornamental design for a putter head, as shown and described.

(21) Appl. No.: **29/246,002**

(22) Filed: **Dec. 1, 2005**

**DESCRIPTION**

(51) **LOC (8) Cl.** ..... **21-02**

(52) **U.S. Cl.** ..... **D21/736**

(58) **Field of Classification Search** ..... D21/736-746;  
473/324-331, 340, 341, 251-256

See application file for complete search history.

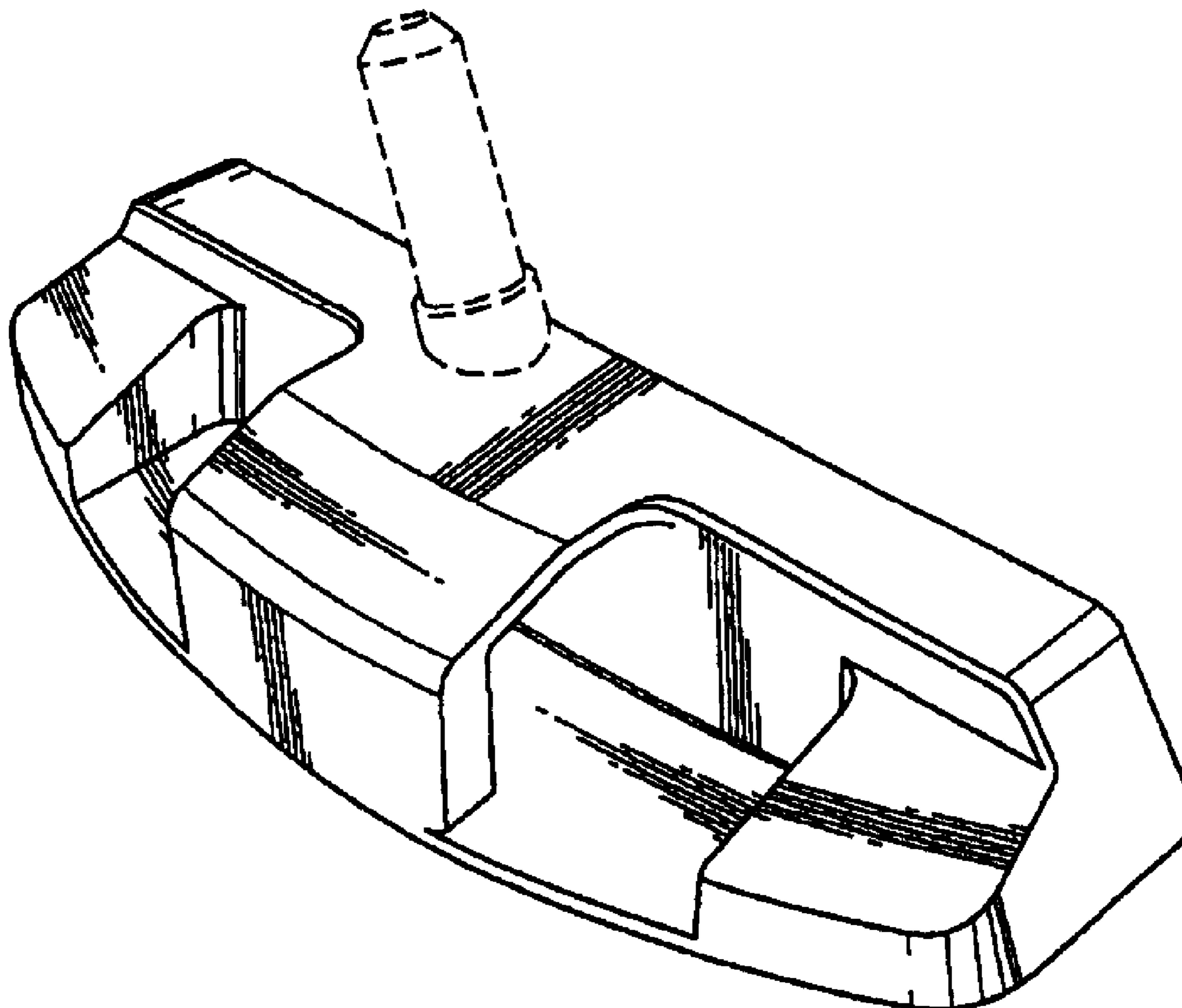
FIG. 1 is a perspective view of the putter head;  
FIG. 2 is a front view of the putter head;  
FIG. 3 is a top plan view of the putter head;  
FIG. 4 is a back view of the putter head;  
FIG. 5 is a bottom plan view of the putter head;  
FIG. 6 is a toe view of the putter head; and,  
FIG. 7 is a heel side view of the putter head.  
The broken line showing of is for illustrative purposes only and forms no part of the claimed design.

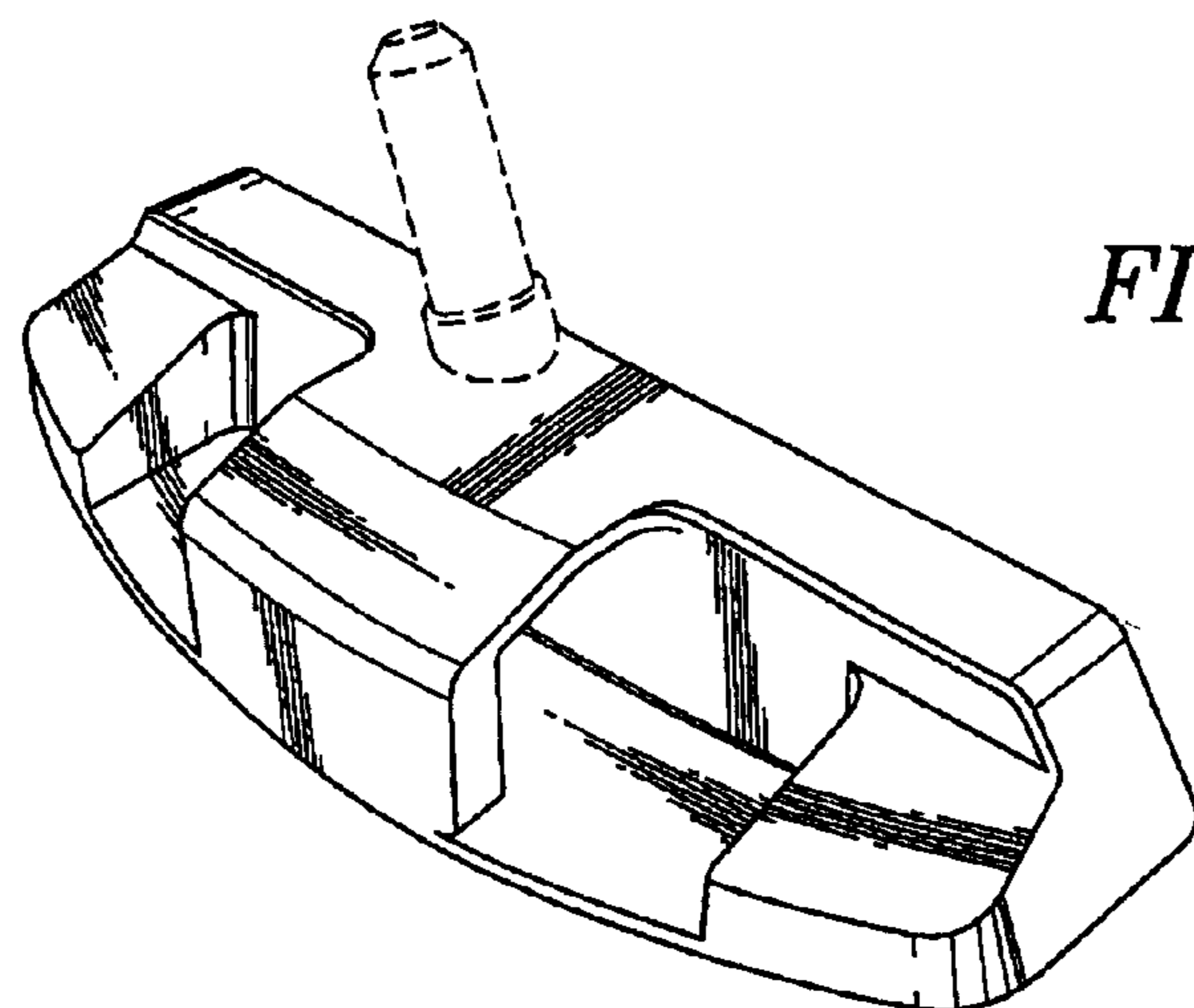
(56) **References Cited**

**U.S. PATENT DOCUMENTS**

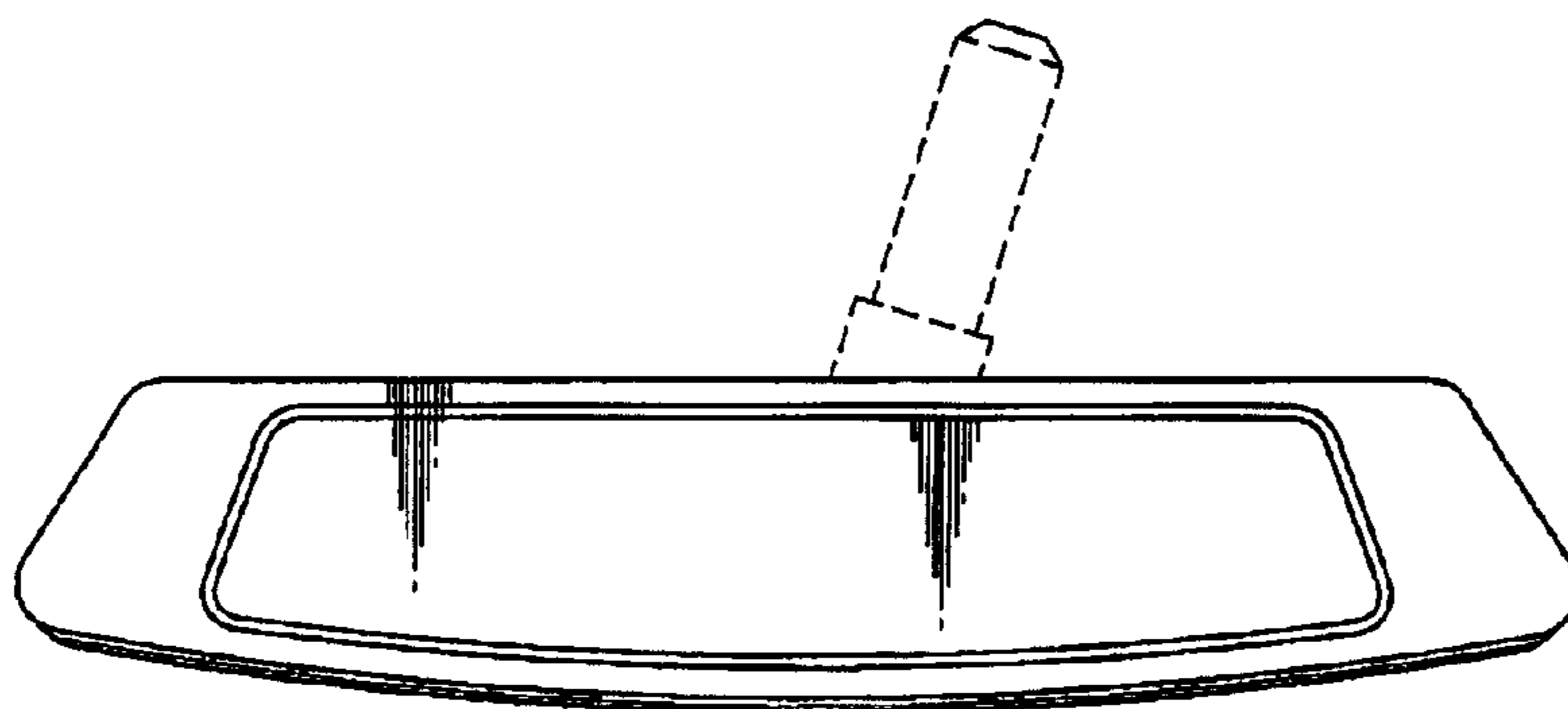
5,275,412 A \* 1/1994 Innes ..... 473/253

**1 Claim, 2 Drawing Sheets**

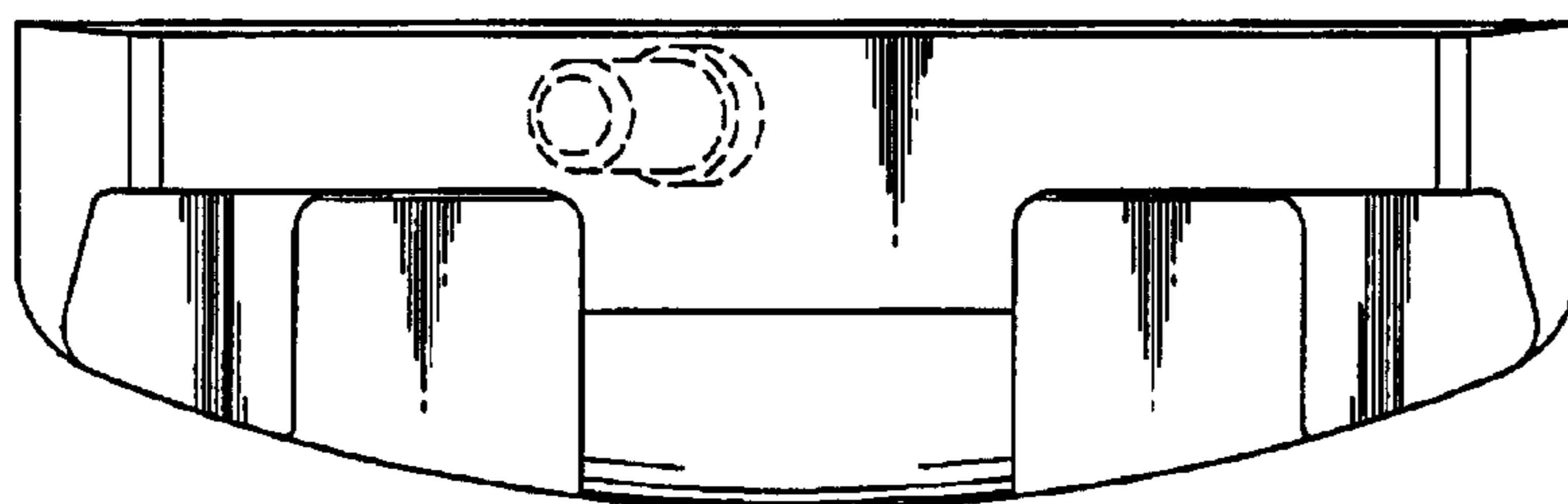




*FIG. 1*



*FIG. 2*



*FIG. 3*

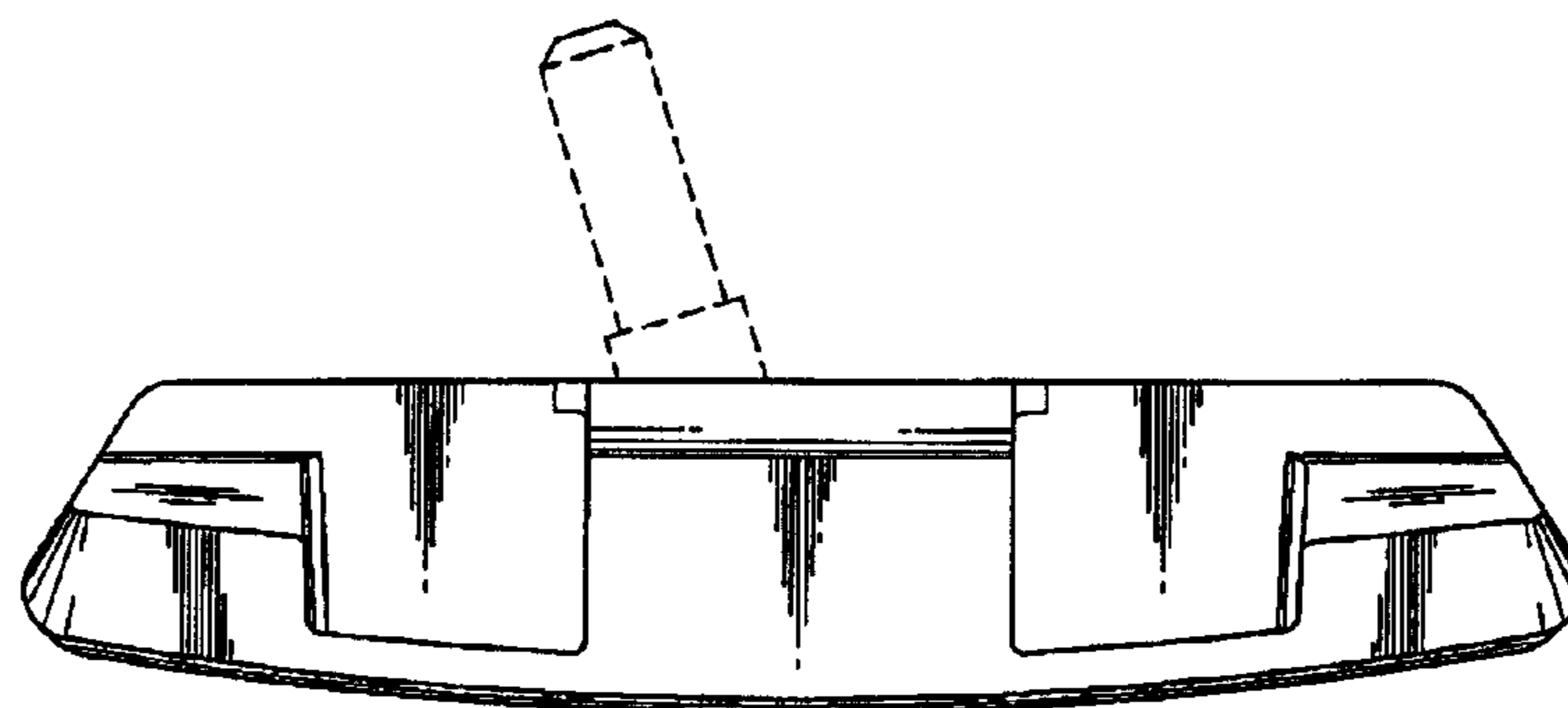


FIG. 4

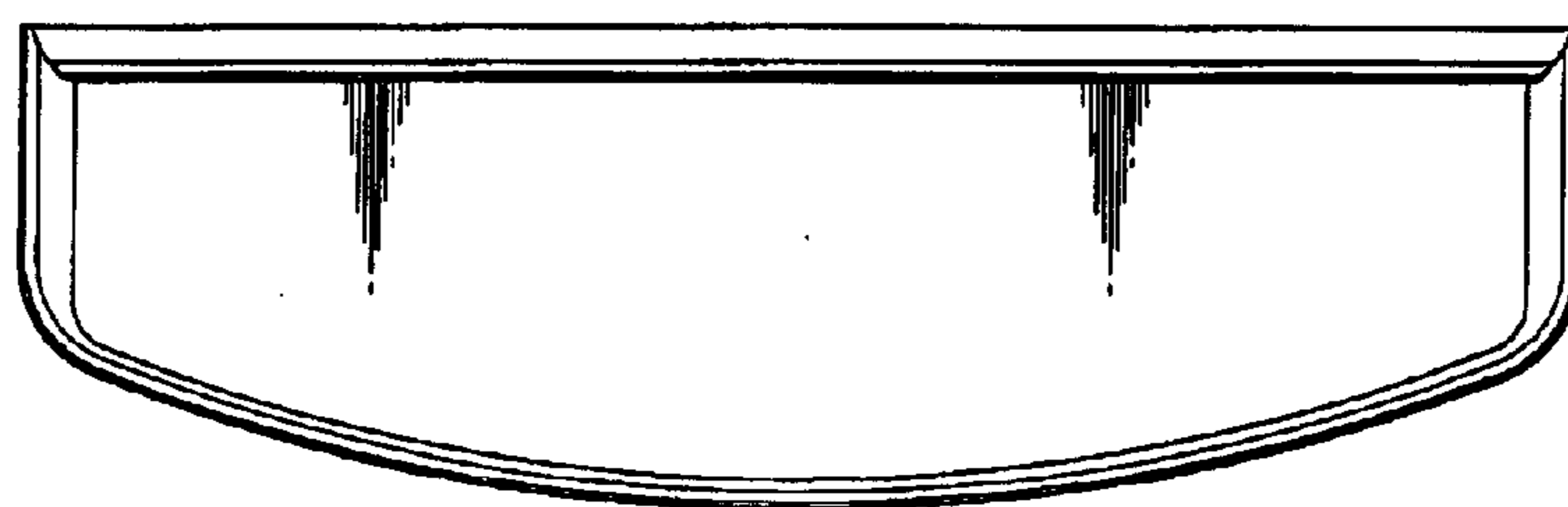


FIG. 5

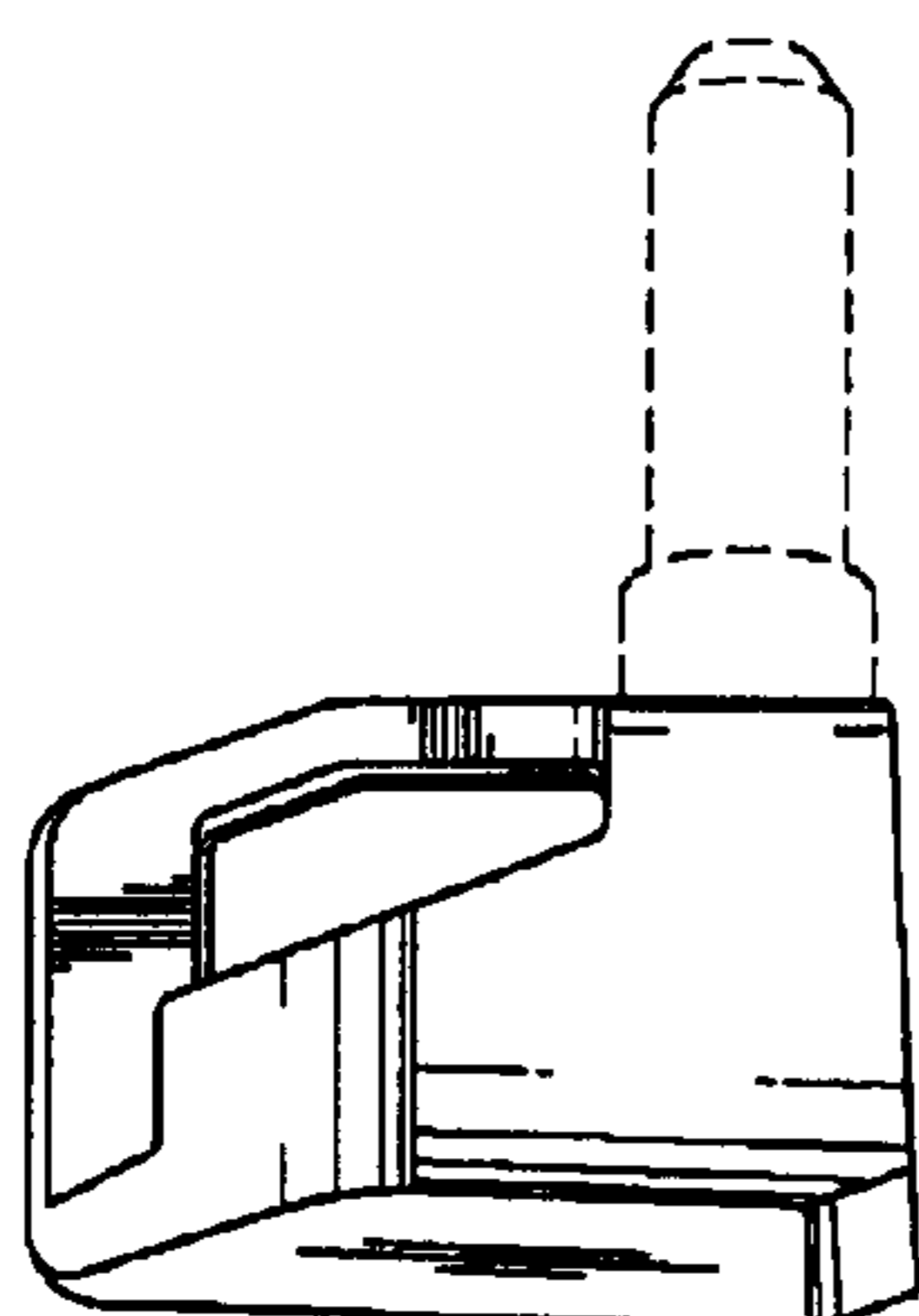


FIG. 6

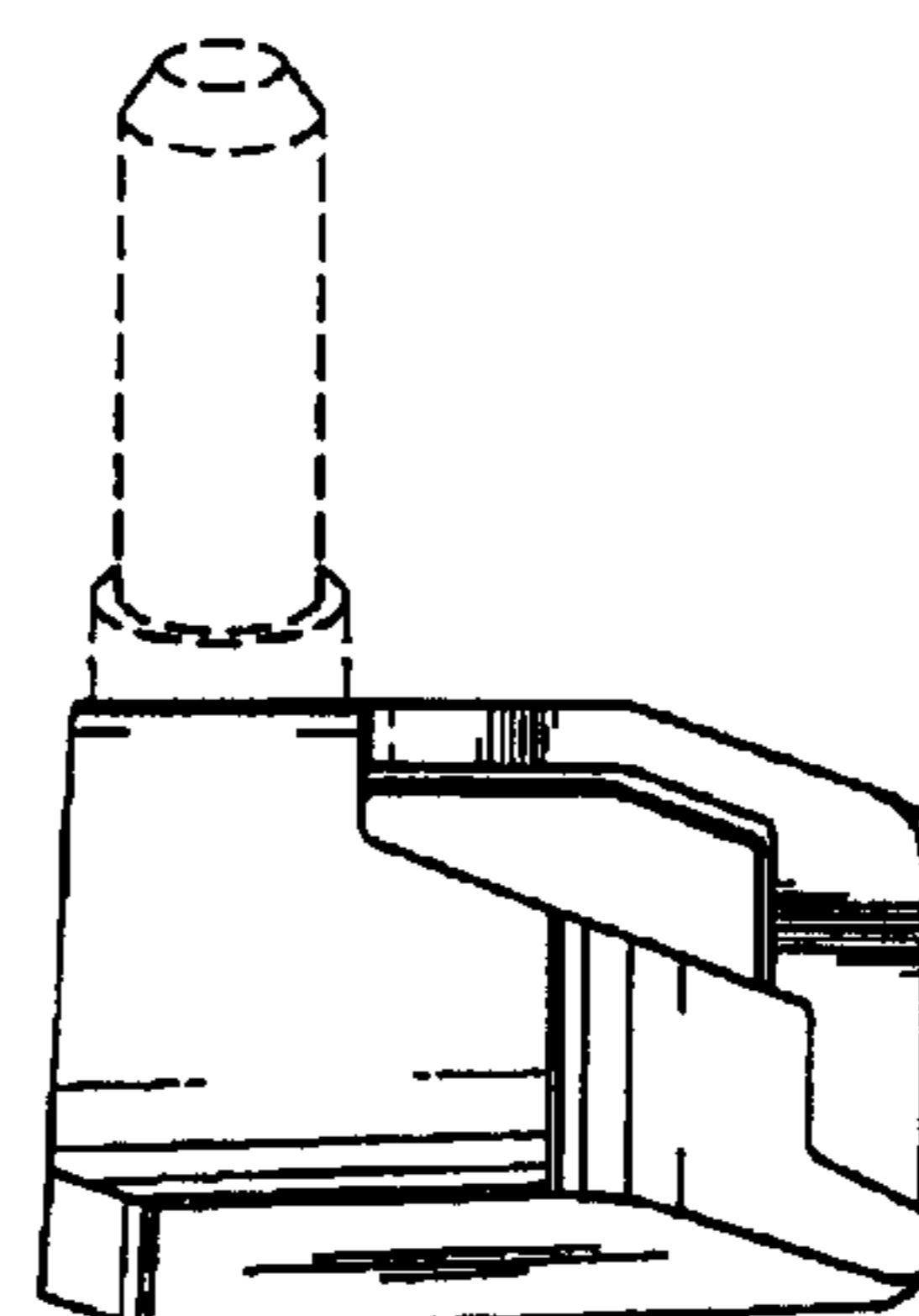


FIG. 7