



US00D532846S

(12) **United States Design Patent**  
**Lee et al.**

(10) **Patent No.:** **US D532,846 S**

(45) **Date of Patent:** **\*\* Nov. 28, 2006**

(54) **PUTTER**

D465,819 S \* 11/2002 Bussiere ..... D21/736  
D485,880 S \* 1/2004 Madore et al. .... D21/759

(75) Inventors: **Michael Lee**, Chino Hills, CA (US);  
**John B. Hoefflich**, Carlsbad, CA (US);  
**D. Clayton Long**, Carlsbad, CA (US)

\* cited by examiner

(73) Assignee: **Nickent Golf Equipment Co.**, City of Industry, CA (US)

*Primary Examiner*—Mitchell Siegel  
(74) *Attorney, Agent, or Firm*—Fay, Sharpe, Fagan, Minnich & McKee, LLP

(\*\*) Term: **14 Years**

(57) **CLAIM**

The ornamental design for a putter, as shown.

(21) Appl. No.: **29/245,092**

**DESCRIPTION**

(22) Filed: **Dec. 19, 2005**

(51) **LOC (8) Cl.** ..... **21-02**

(52) **U.S. Cl.** ..... **D21/736**

(58) **Field of Classification Search** ..... D21/736–746,  
D21/759; 473/324–331, 340, 341, 251–256  
See application file for complete search history.

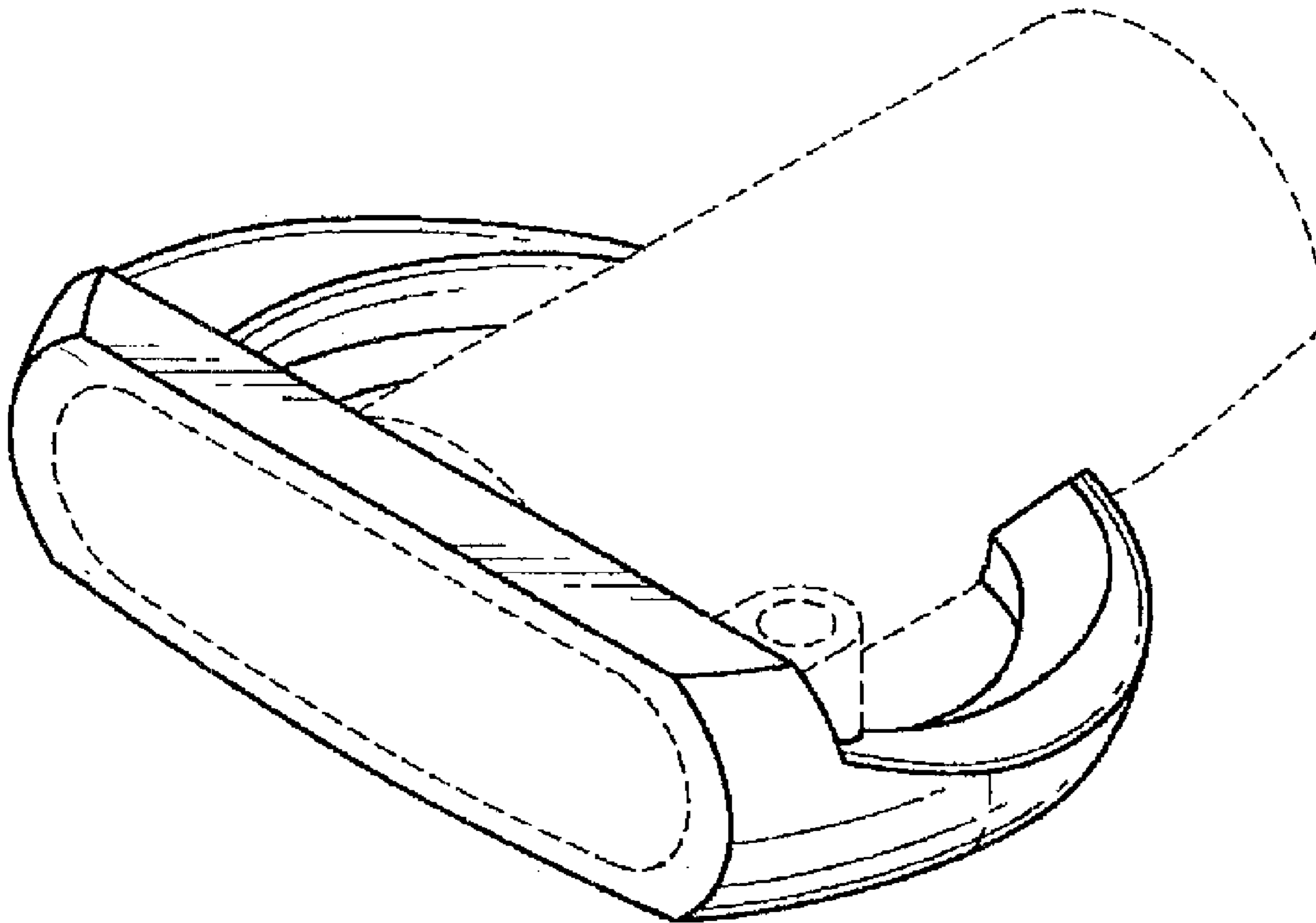
FIG. 1 is a front perspective view of a putter;  
FIG. 2 is a front elevation view of the putter of FIG. 1;  
FIG. 3 is a first side elevation view of the putter of FIG. 1;  
FIG. 4 is a second side elevation view, opposite the side view of FIG. 3, of the putter of FIG. 1;  
FIG. 5 is a rear elevation view of the putter of FIG. 1;  
FIG. 6 is a top plan view of the putter of FIG. 1; and,  
FIG. 7 is a bottom plan view of the putter of FIG. 1.  
The broken line showing is for illustrative purposes only and forms no part of the claimed design.

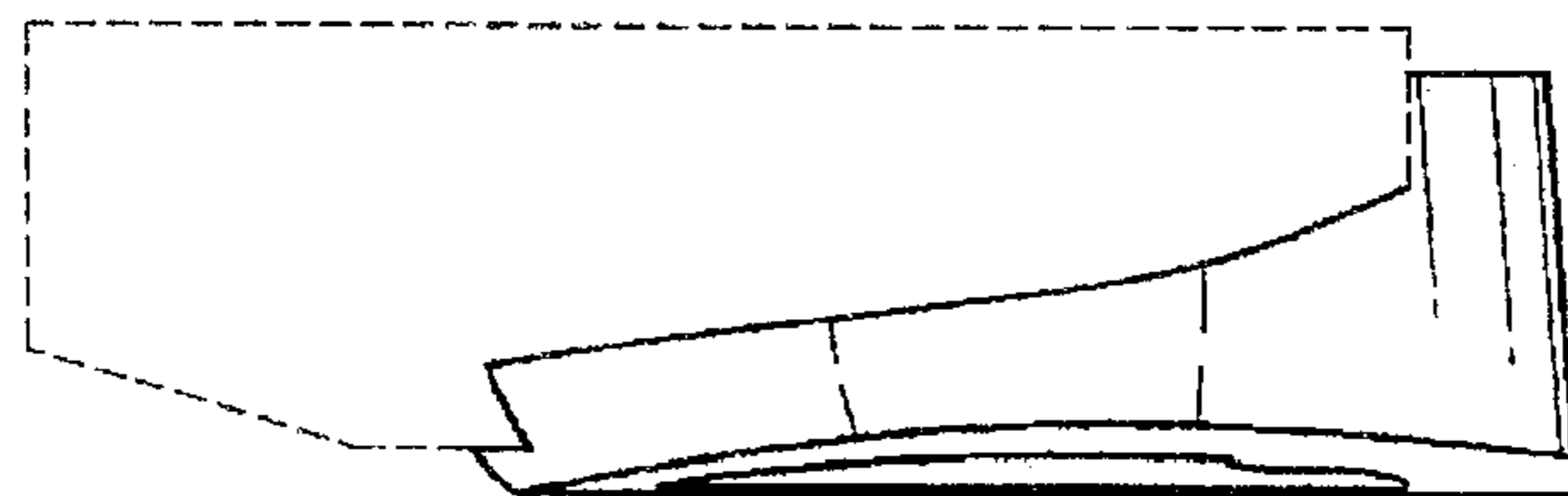
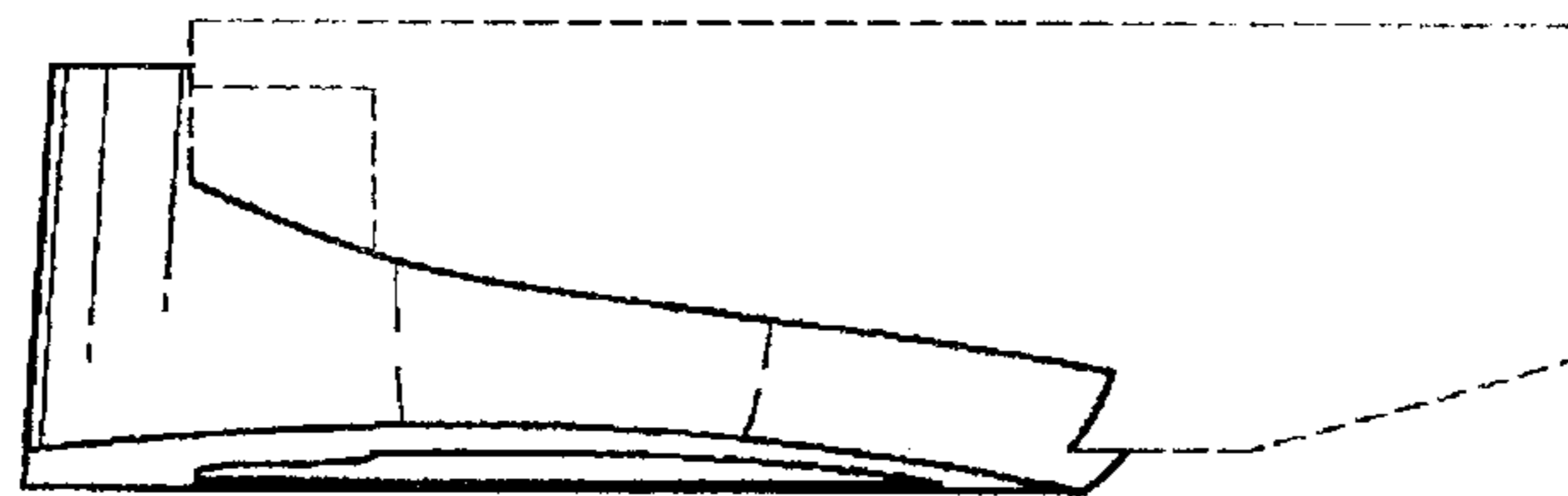
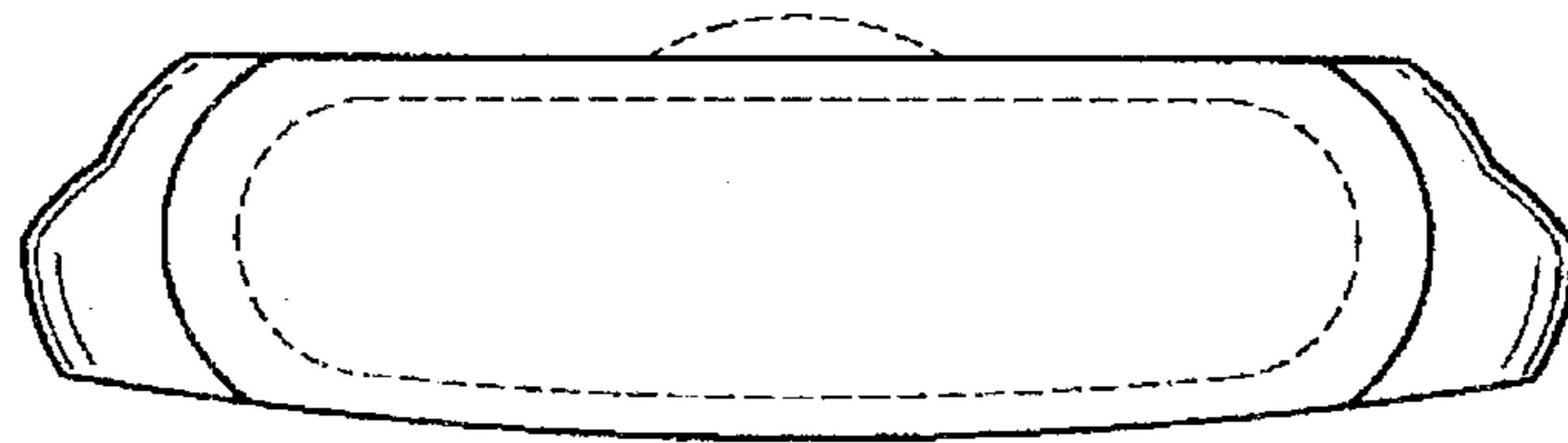
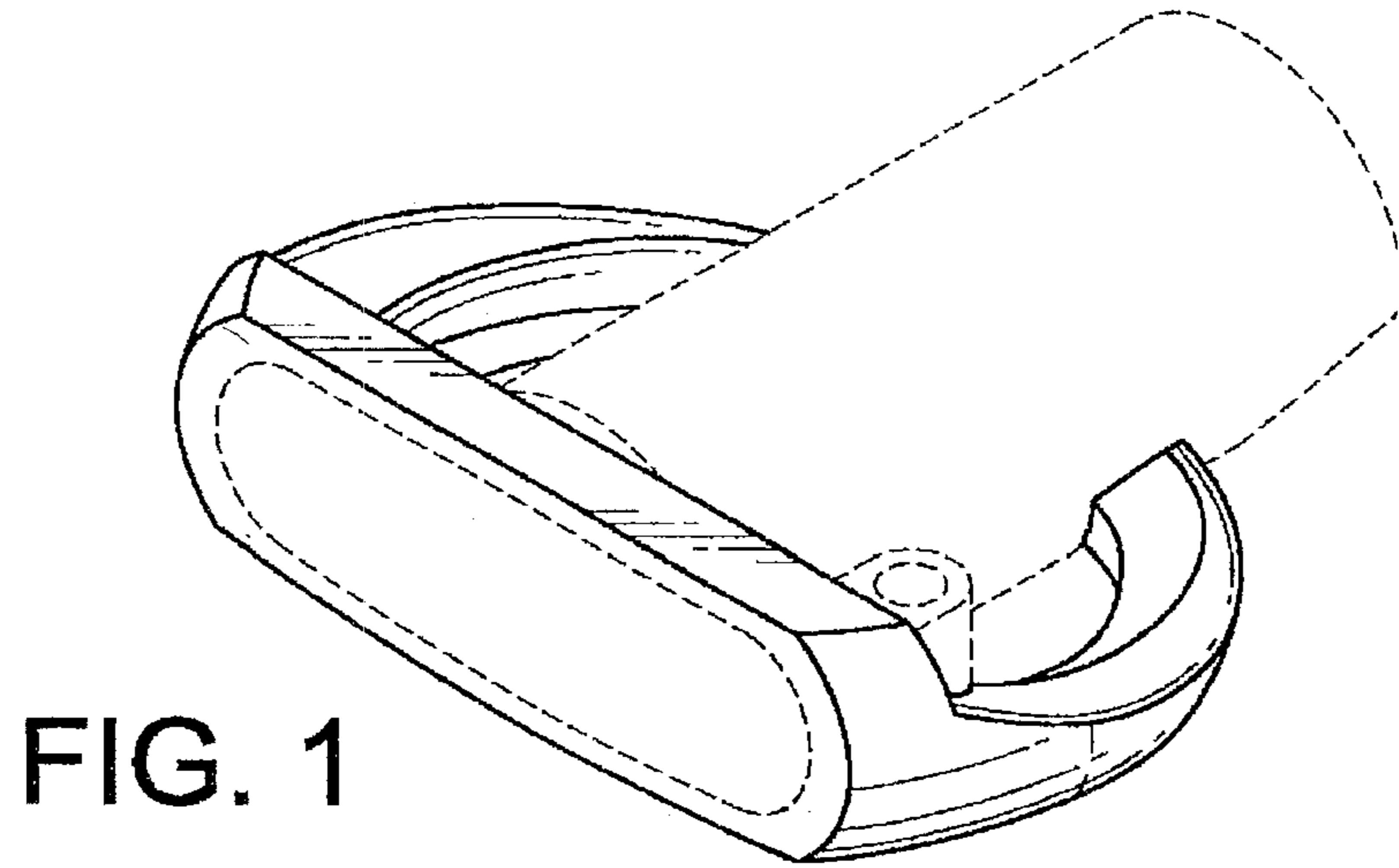
(56) **References Cited**

U.S. PATENT DOCUMENTS

D323,688 S \* 2/1992 Whitney ..... D21/741  
D410,055 S \* 5/1999 Loop ..... D21/736

**1 Claim, 2 Drawing Sheets**





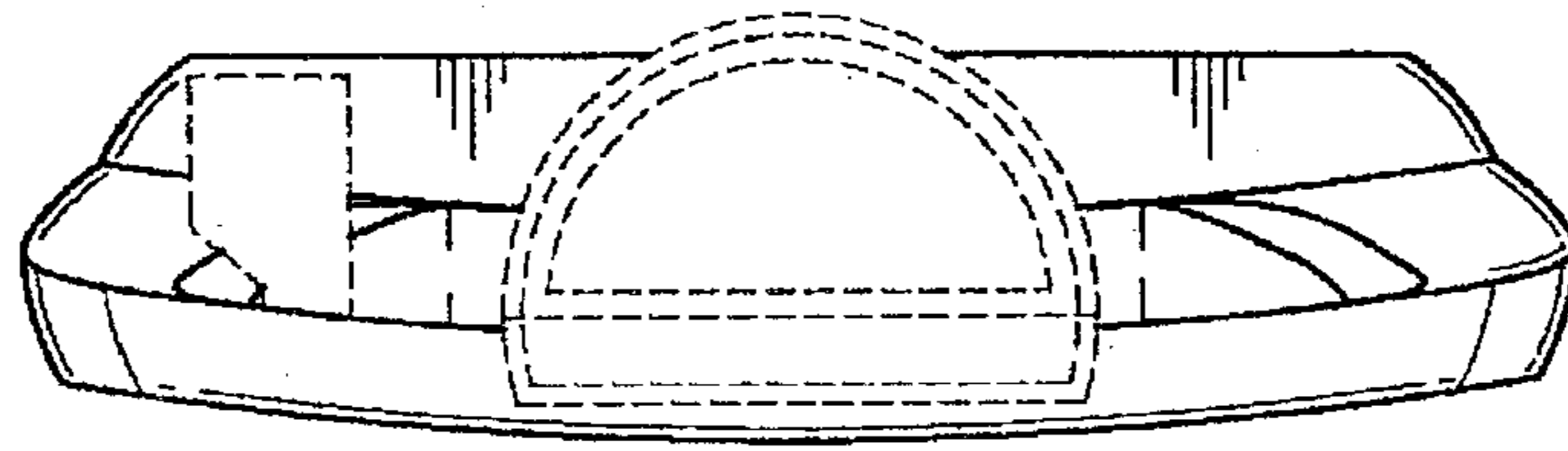


FIG. 5

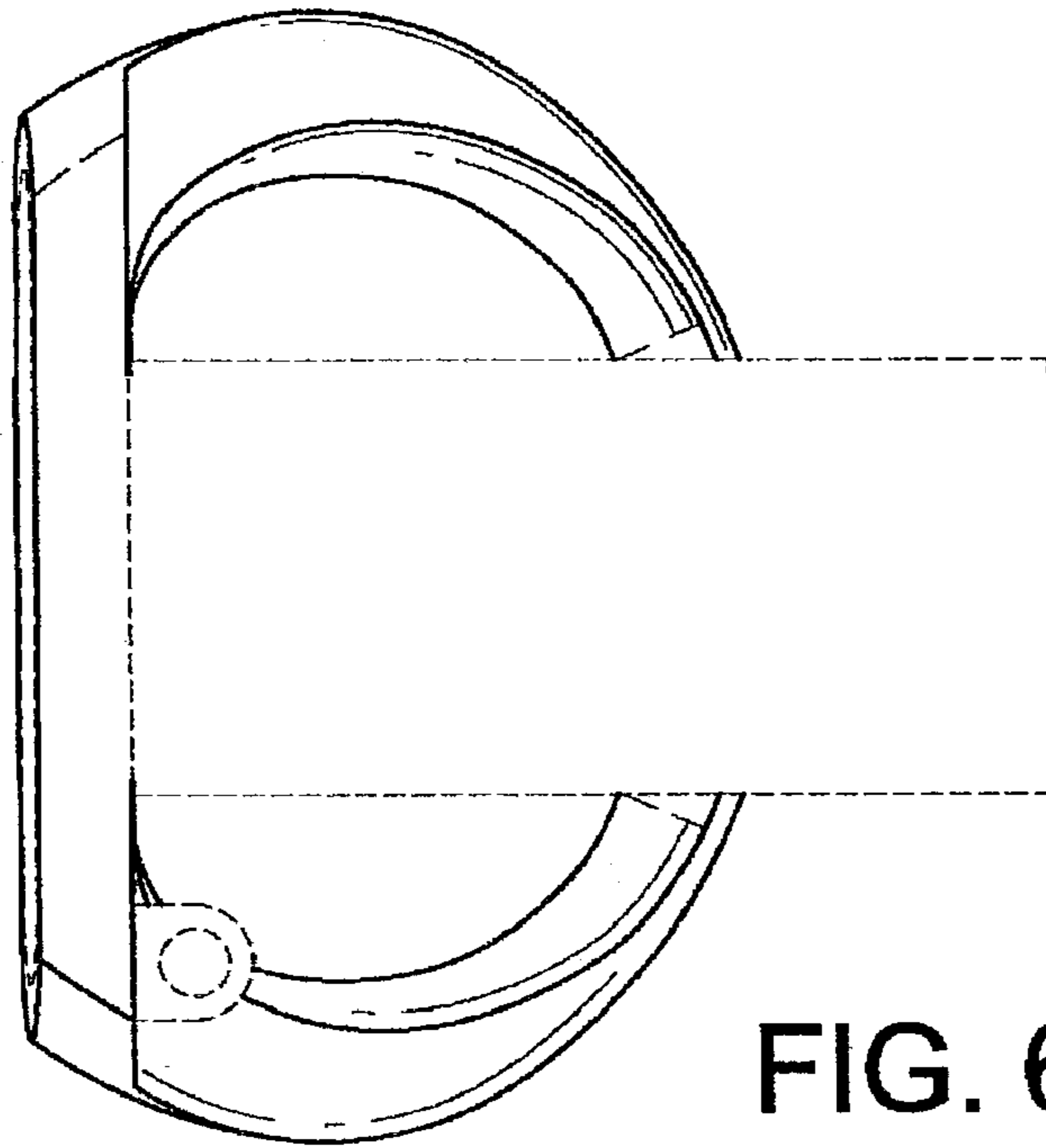


FIG. 6

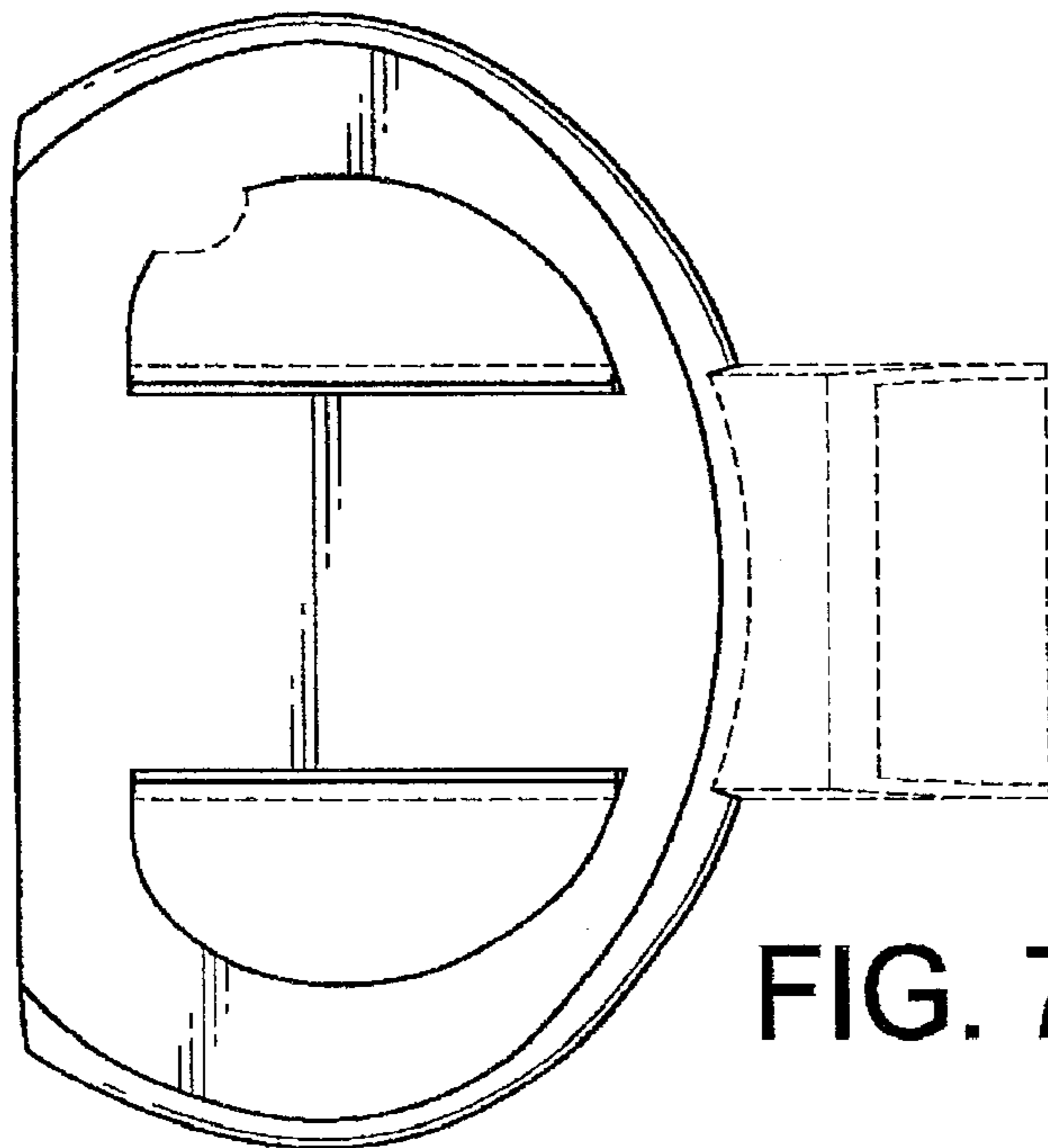


FIG. 7