



US00D532844S

(12) **United States Design Patent**
Rollinson

(10) **Patent No.:** **US D532,844 S**

(45) **Date of Patent:** **** Nov. 28, 2006**

(54) **PUTTER HEAD**

(75) **Inventor:** **Augustin W. Rollinson**, San Diego, CA (US)

(73) **Assignee:** **Callaway Golf Company**, Carlsbad, CA (US)

(**) **Term:** **14 Years**

(21) **Appl. No.:** **29/242,248**

(22) **Filed:** **Nov. 7, 2005**

(51) **LOC (8) Cl.** **21-02**

(52) **U.S. Cl.** **D21/736**

(58) **Field of Classification Search** D21/736-746;
473/324-331, 340, 341, 251-256
See application file for complete search history.

(56) **References Cited**

U.S. PATENT DOCUMENTS

4,741,535	A	*	5/1988	Leonhardt	473/252
D323,867	S	*	2/1992	Rizzotto	D21/740
D327,930	S	*	7/1992	Jazdyk	D21/744
5,997,409	A	*	12/1999	Mattson	473/244
D421,471	S	*	3/2000	Moldovan	D21/744

D436,638	S	*	1/2001	Carrier	D21/744
D457,210	S	*	5/2002	Noda	D21/736
D505,702	S	*	5/2005	Wood	D21/736
D517,143	S	*	3/2006	Petsel et al.	D21/742

* cited by examiner

Primary Examiner—Mitchell Siegel

(74) *Attorney, Agent, or Firm*—Michael A. Catania; Elaine H. Lo

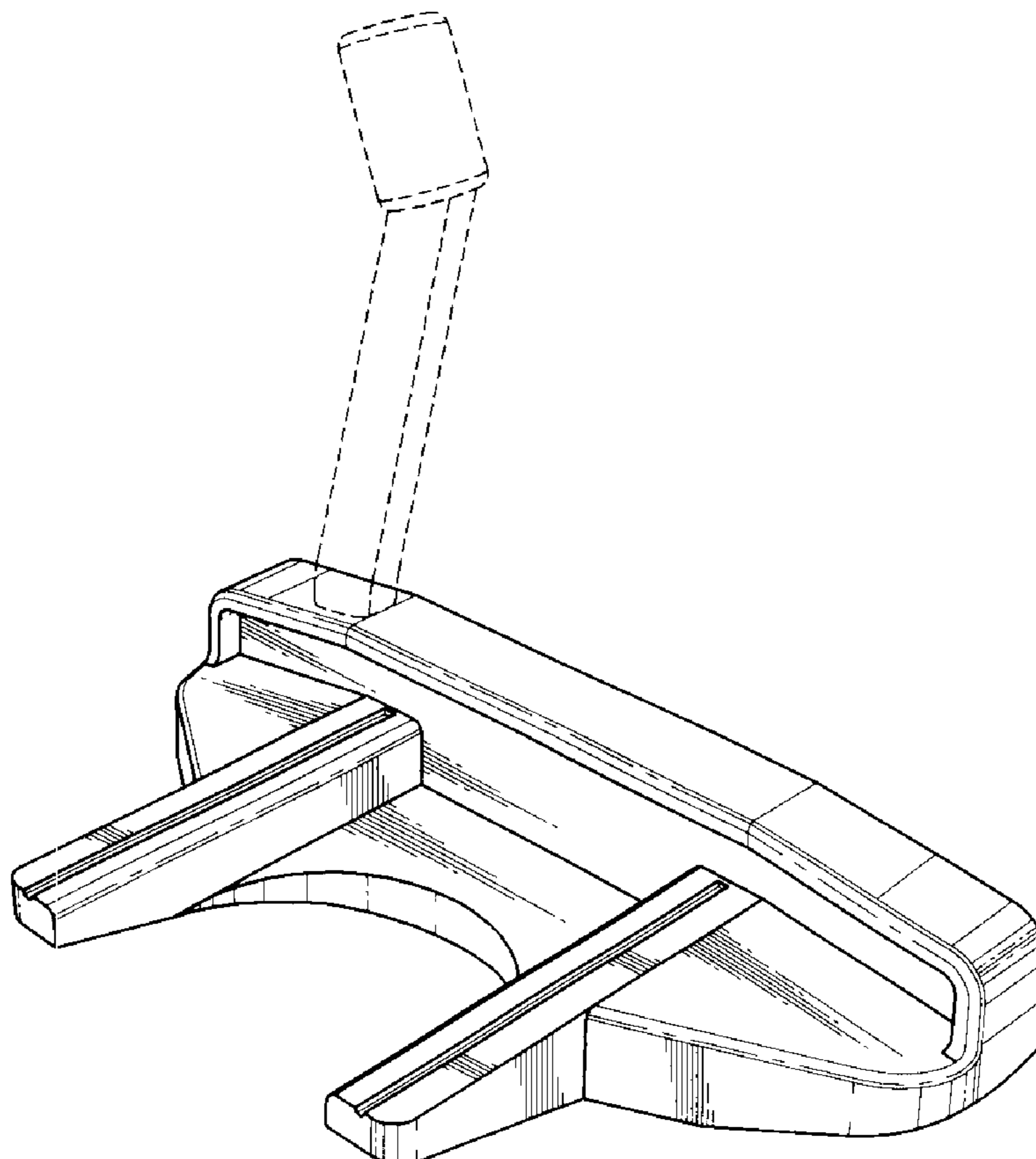
(57) **CLAIM**

The ornamental design for a putter head, as shown and described.

DESCRIPTION

FIG. 1 is a perspective view of the putter head; FIG. 2 is a top plan view of the putter head; FIG. 3 is a front view of the putter head; FIG. 4 is a back view of the putter head; FIG. 5 is a bottom plan view of the putter head; FIG. 6 is a toe side view of the putter head; and, FIG. 7 is a heel side view of the putter head. The broken line showing of is for illustrative purposes only and forms no part of the claimed design.

1 Claim, 3 Drawing Sheets



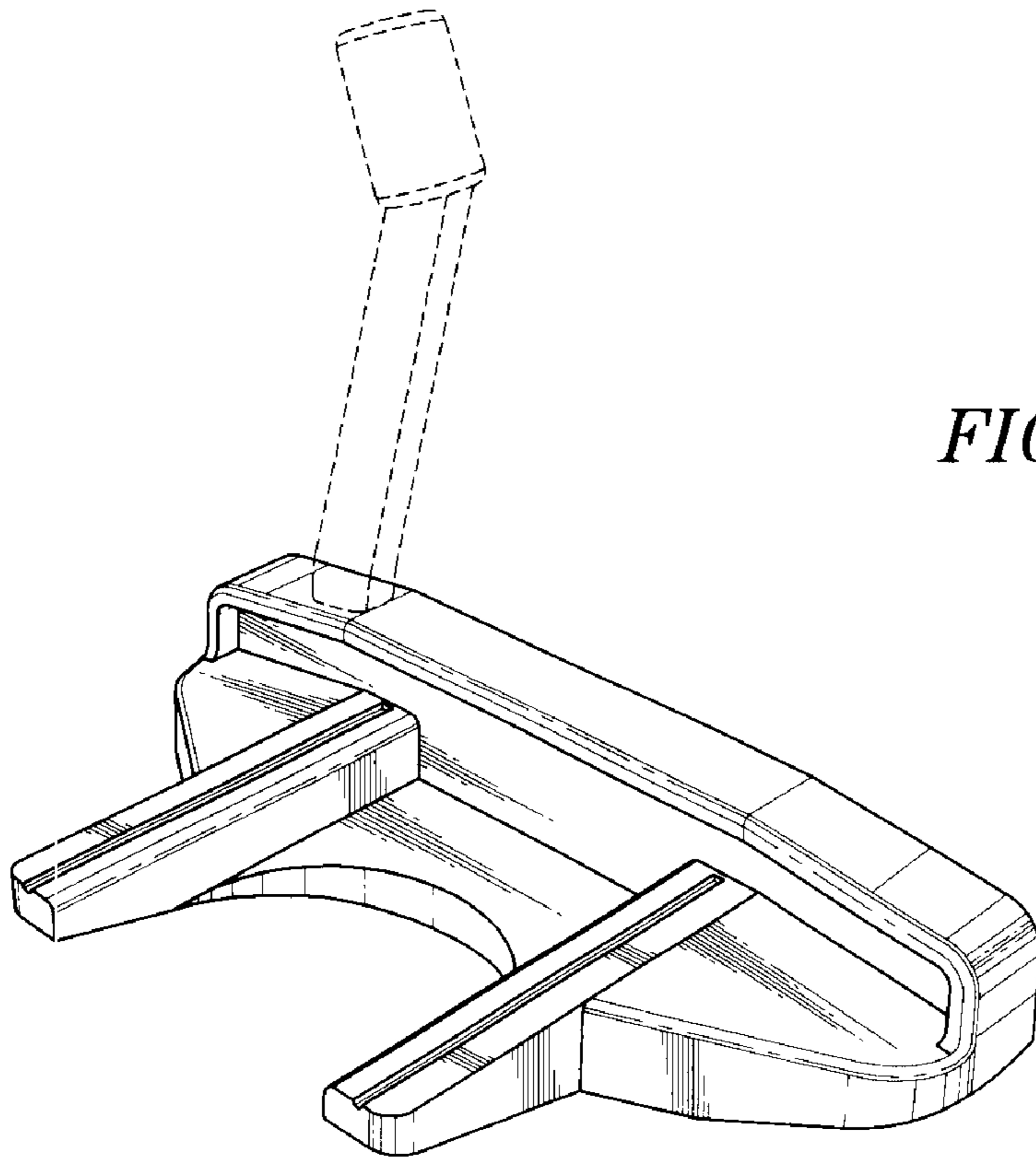


FIG. 1

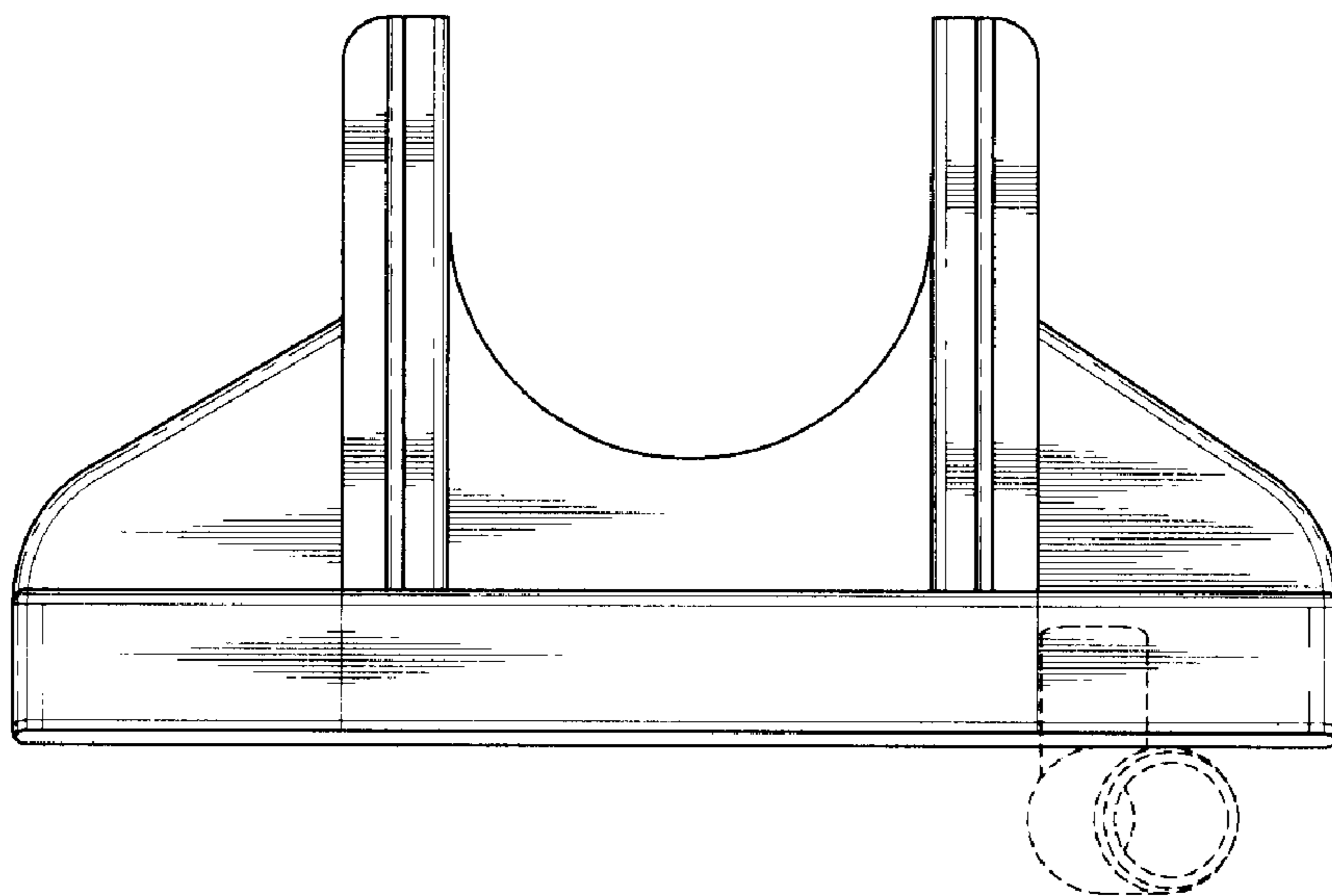


FIG. 2

FIG. 3

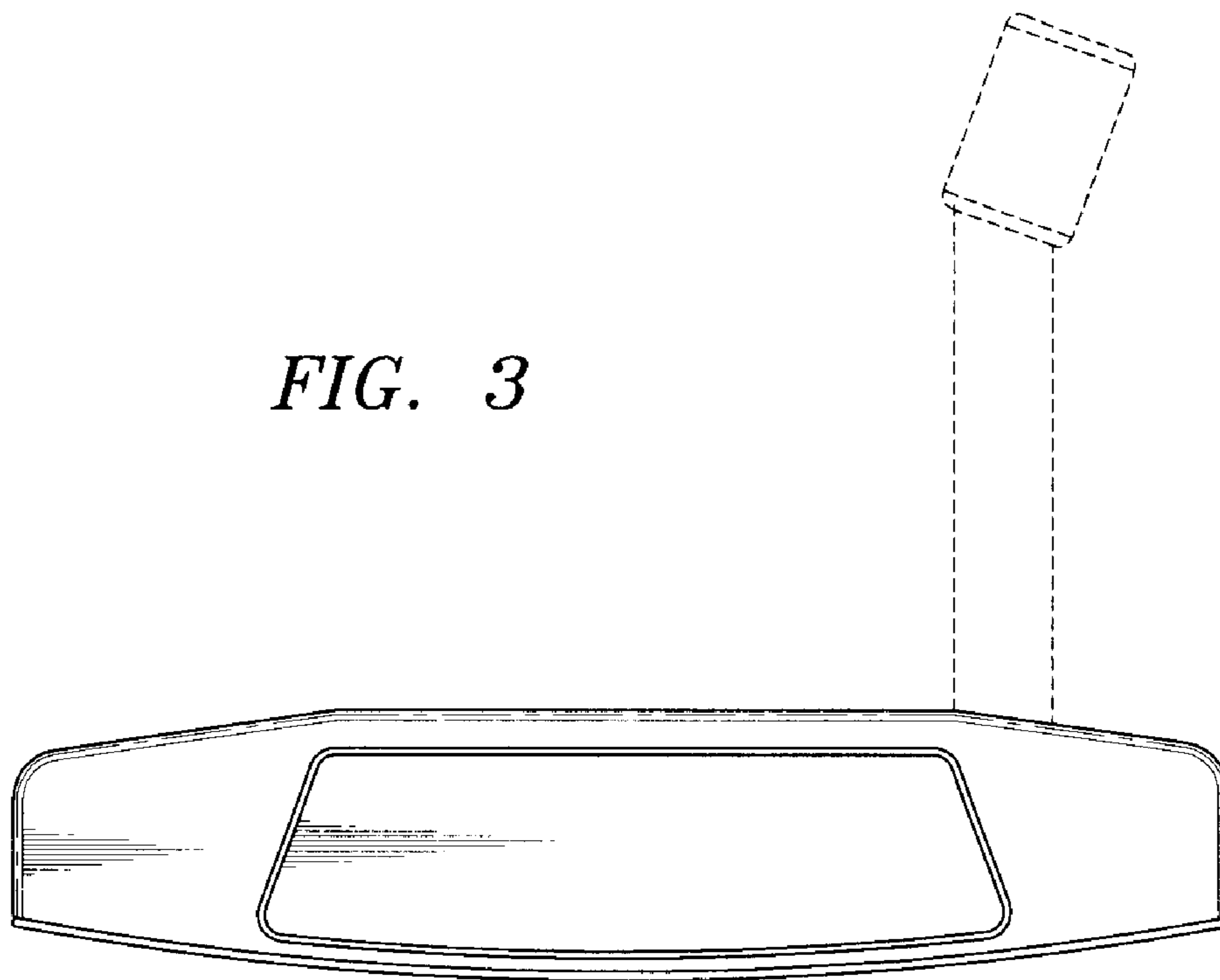
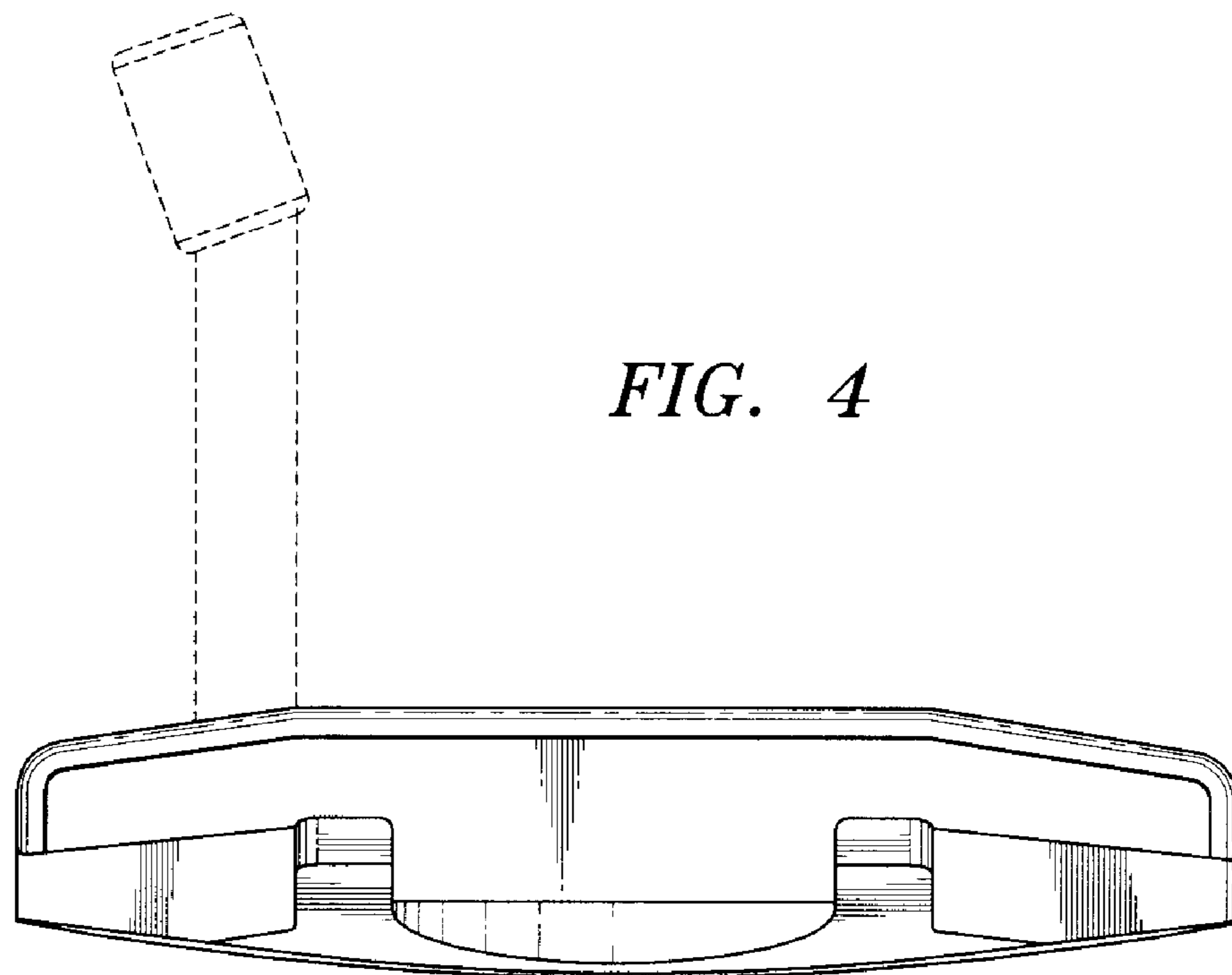


FIG. 4



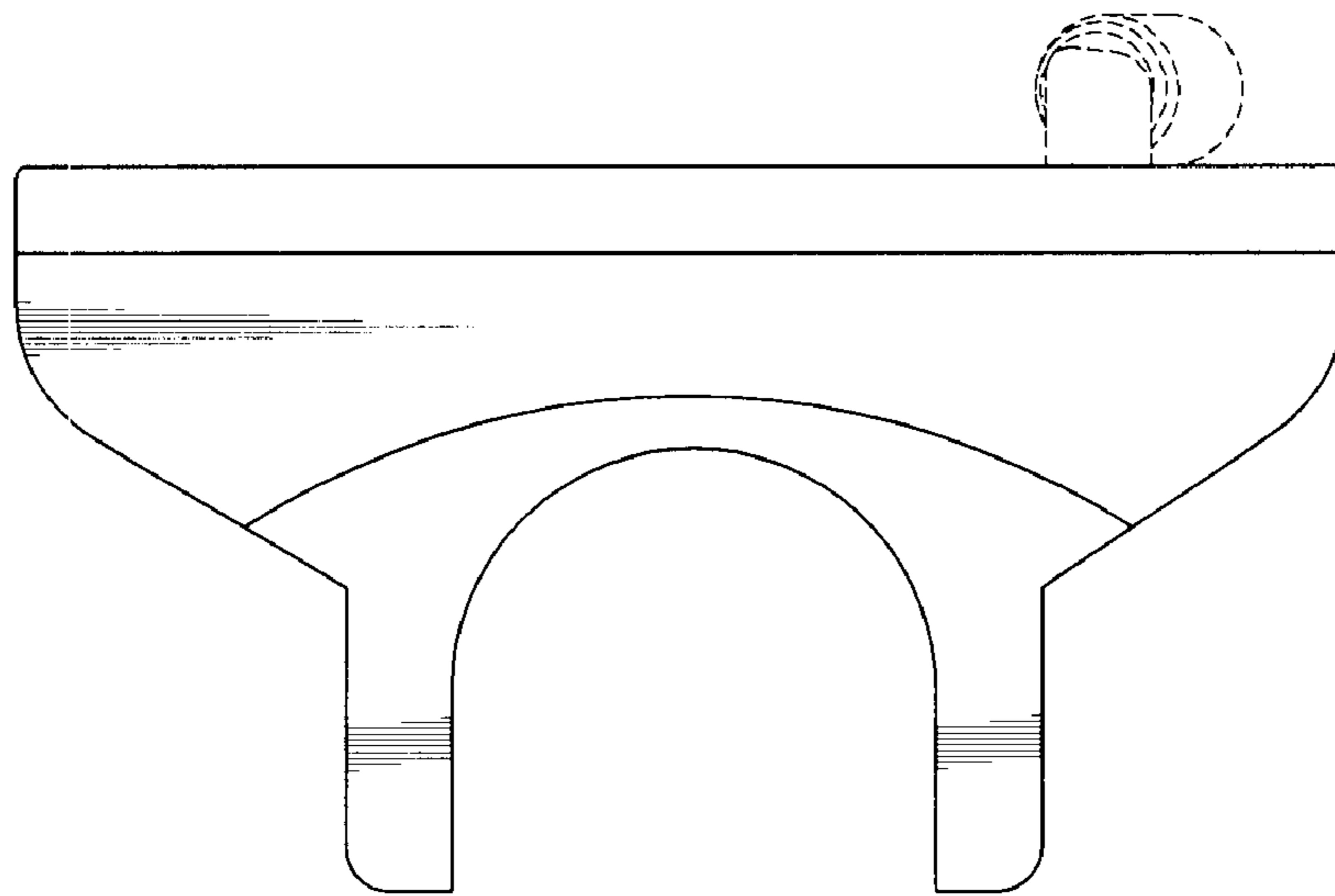


FIG. 5

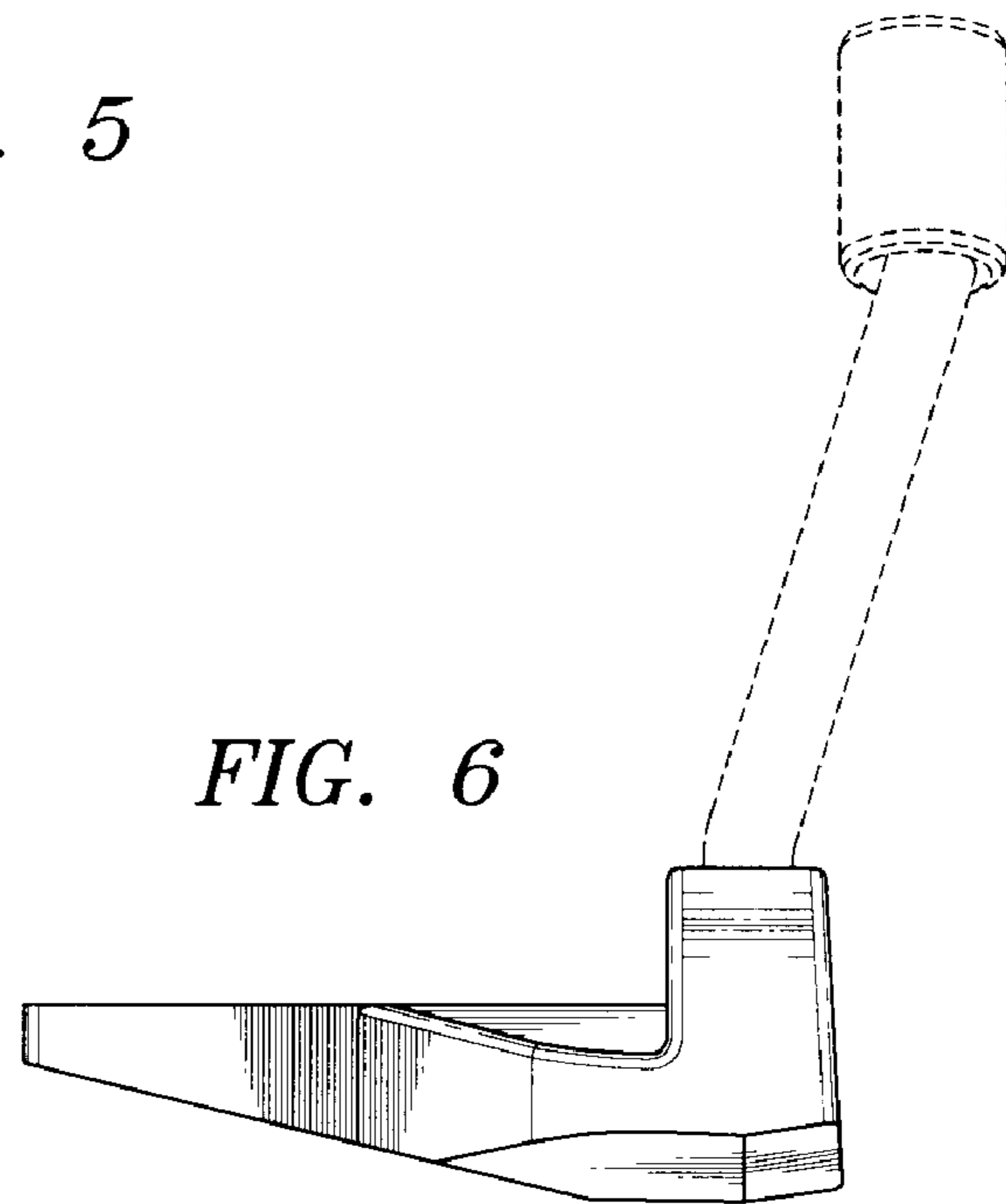


FIG. 6

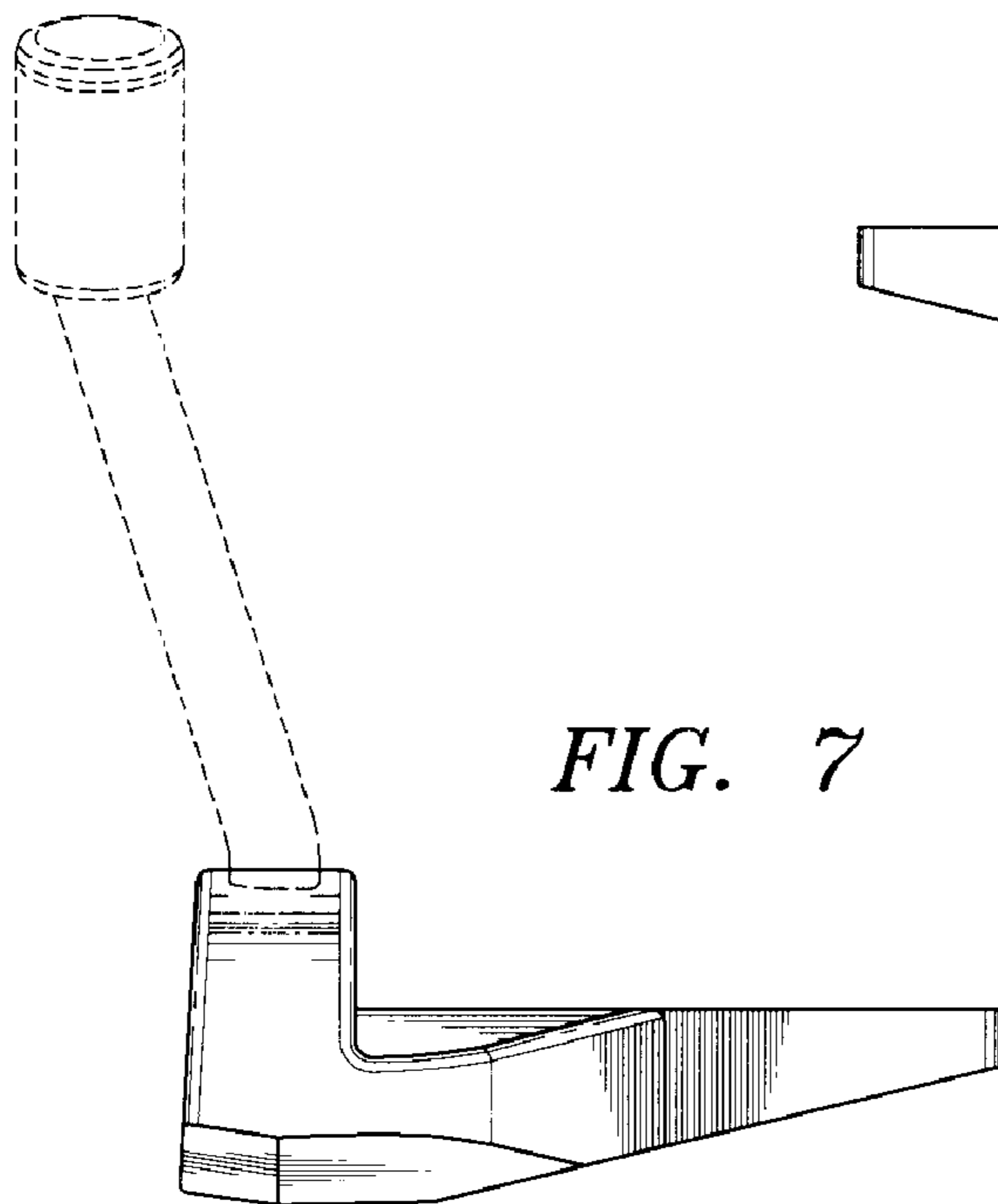


FIG. 7