



US00D532843S

(12) **United States Design Patent**  
**Jones et al.**

(10) **Patent No.:** **US D532,843 S**

(45) **Date of Patent:** **\*\* \*Nov. 28, 2006**

- (54) **GOLF PUTTER HEAD**
- (75) Inventors: **David D. Jones**, Glendale, AZ (US);  
**John A. Solheim**, Anthem, AZ (US);  
**John K. Solheim**, Anthem, AZ (US)
- (73) Assignee: **Karsten Manufacturing Corporation**,  
Phoenix, AZ (US)
- (\*) Notice: This patent is subject to a terminal disclaimer.
- (\*\*) Term: **14 Years**
- (21) Appl. No.: **29/233,640**
- (22) Filed: **Jul. 7, 2005**
- (51) **LOC (8) Cl.** ..... **21-02**
- (52) **U.S. Cl.** ..... **D21/736**
- (58) **Field of Classification Search** ..... D21/736-746,  
D21/759; 473/324-331, 251-356, 340, 341  
See application file for complete search history.

D341,405 S	11/1993	Solheim
5,482,281 A	1/1996	Anderson
D379,484 S	5/1997	Solheim
5,630,765 A	5/1997	Moore
D380,029 S	6/1997	Anderson
5,749,791 A	5/1998	Passeri
D399,911 S	10/1998	Nicolette et al.
5,830,078 A	11/1998	McMahan
D402,722 S	12/1998	Rollinson
5,842,935 A	12/1998	Nelson
D405,137 S	2/1999	Nelson
5,871,407 A	2/1999	Tseng
D410,717 S	6/1999	Anderson
D411,271 S	6/1999	Nelson
5,916,035 A	6/1999	Caiozzo
6,017,280 A	1/2000	Hubert
6,059,669 A	5/2000	Pearce
6,080,070 A	6/2000	Whitley
D437,017 S	1/2001	Ford
D444,833 S	7/2001	Wells et al.
D449,865 S	10/2001	Fife
D451,973 S	12/2001	Wells et al.

(Continued)

*Primary Examiner*—Mitchell Siegel  
(74) *Attorney, Agent, or Firm*—Darrell F. Marquette

(56) **References Cited**  
U.S. PATENT DOCUMENTS

D58,209 S	6/1921	Bacheller
D163,083 S	5/1951	Belline
2,954,231 A	9/1960	MacIntyre
D218,178 S	7/1970	Solheim
D230,869 S	3/1974	Winter
D234,960 S	4/1975	Swash
D235,668 S	7/1975	Swash
D238,285 S	12/1975	Ross
4,010,958 A	3/1977	Long
D255,373 S	6/1980	Solheim
4,444,395 A	4/1984	Reiss
D282,952 S	3/1986	Mattingly
4,688,798 A	8/1987	Pelz
4,815,739 A	3/1989	Donica
5,058,895 A	10/1991	Igarashi
5,116,047 A	5/1992	Phelan
5,160,141 A	11/1992	Crews
D334,039 S	3/1993	Tanaka
5,213,332 A	5/1993	Fahy et al.

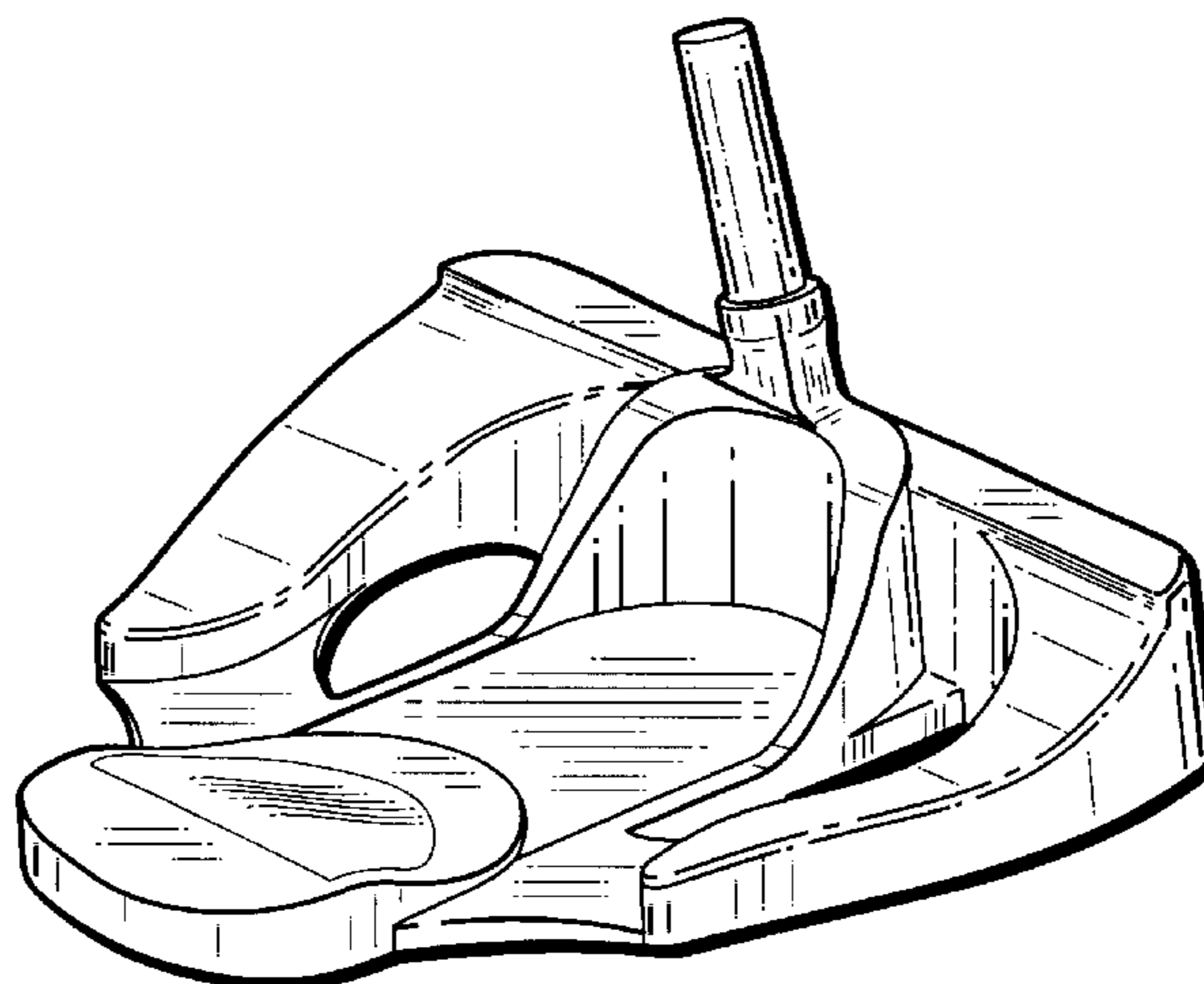
(57) **CLAIM**

The ornamental design for a golf putter head, as shown and described.

**DESCRIPTION**

FIG. 1 is a perspective view of a golf putter head showing our new design;  
FIG. 2 is a rear elevational view of the golf putter head of FIG. 1;  
FIG. 3 is a front elevational view of the golf putter head of FIG. 1;  
FIG. 4 is a toe end view of the golf putter head of FIG. 1;  
FIG. 5 is a heel end view of the golf putter head of FIG. 1;  
FIG. 6 is a top view of the golf putter head of FIG. 1; and,  
FIG. 7 is a bottom view of the golf putter head of FIG. 1.

**1 Claim, 2 Drawing Sheets**



# US D532,843 S

Page 2

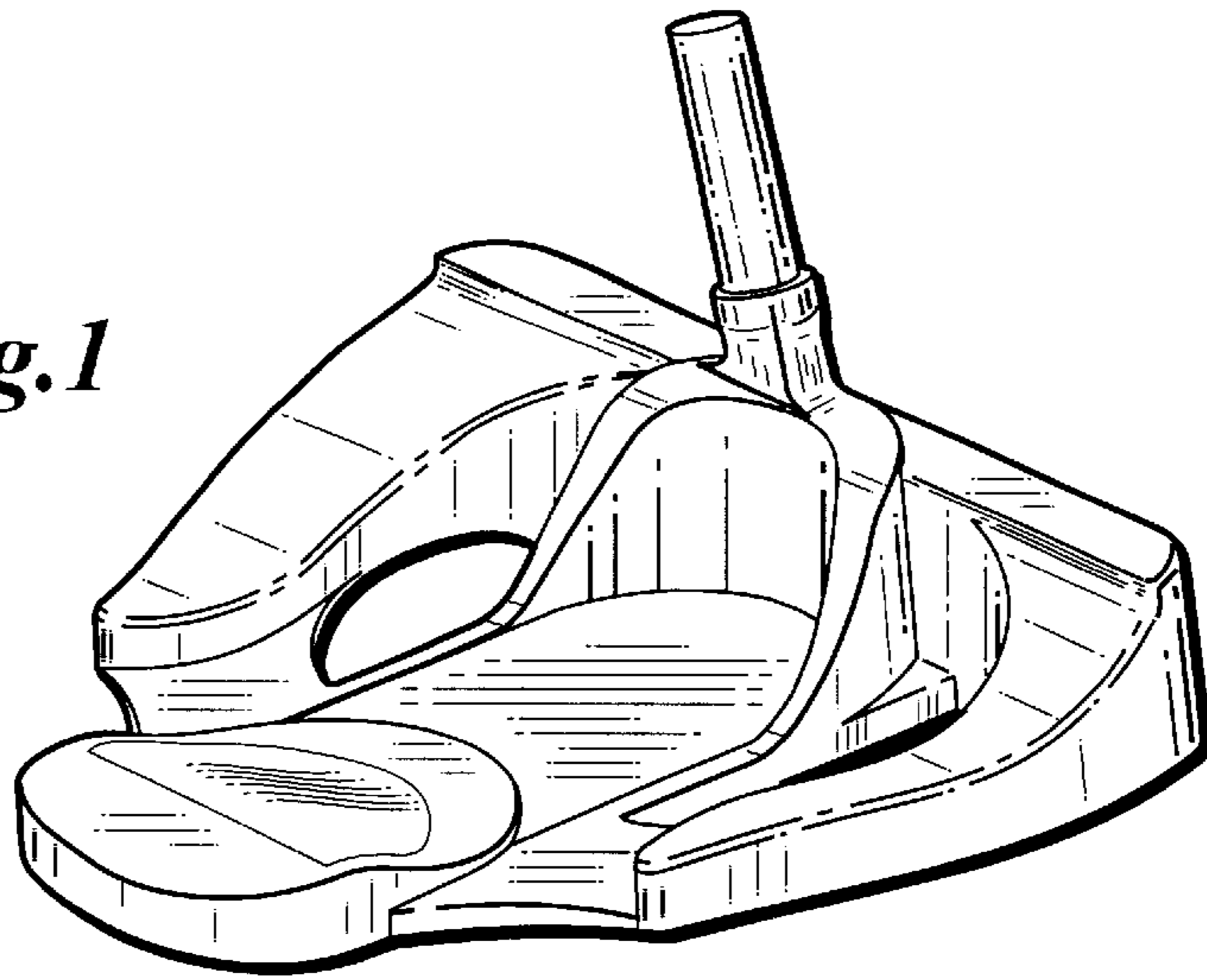
---

## U.S. PATENT DOCUMENTS

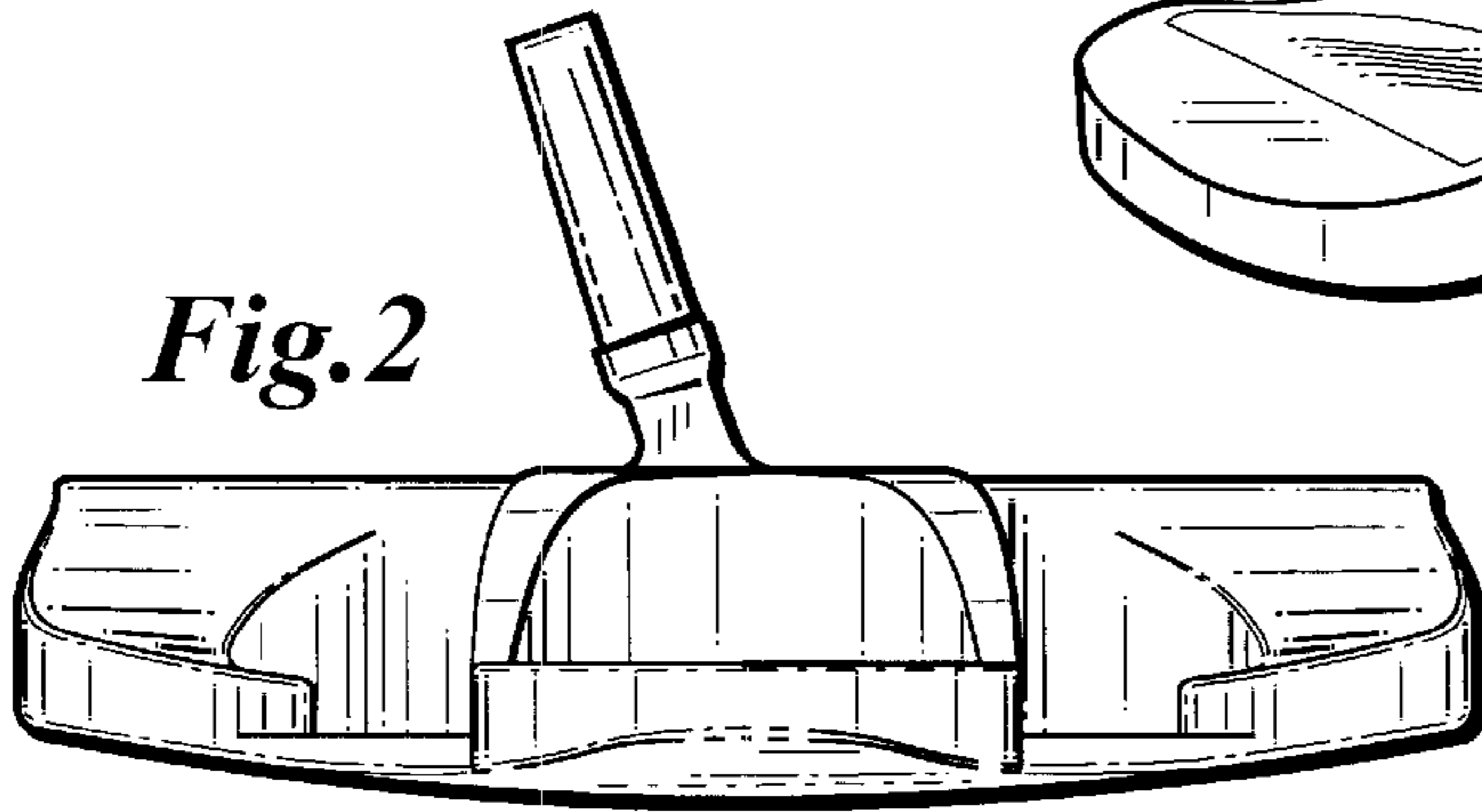
6,350,208 B1	2/2002	Ford	
D460,990 S	7/2002	Jung	
D461,860 S *	8/2002	Tang	..... D21/742
6,471,600 B1	10/2002	Tang	
D472,949 S	4/2003	Serrano	
D474,821 S	5/2003	Wells et al.	
D484,935 S *	1/2004	Tang	..... D21/738
D485,321 S *	1/2004	Breier et al.	..... D21/738
D488,526 S	4/2004	Souza et al.	
D493,857 S	8/2004	Cameron	
D496,417 S	9/2004	Tang	
D496,418 S	9/2004	Tang	
6,796,911 B1	9/2004	Grace	
D499,778 S	12/2004	Cameron	
D500,109 S *	12/2004	Solheim et al.	..... D21/736
D500,110 S *	12/2004	Solheim et al.	..... D21/742
6,837,801 B1	1/2005	Souza et al.	
D503,445 S *	3/2005	Toroussian	..... D21/736
D503,447 S *	3/2005	Toroussian	..... D21/736
6,960,140 B1 *	11/2005	Solheim et al.	..... 473/251
D513,050 S *	12/2005	Grimaldo	..... D21/743

\* cited by examiner

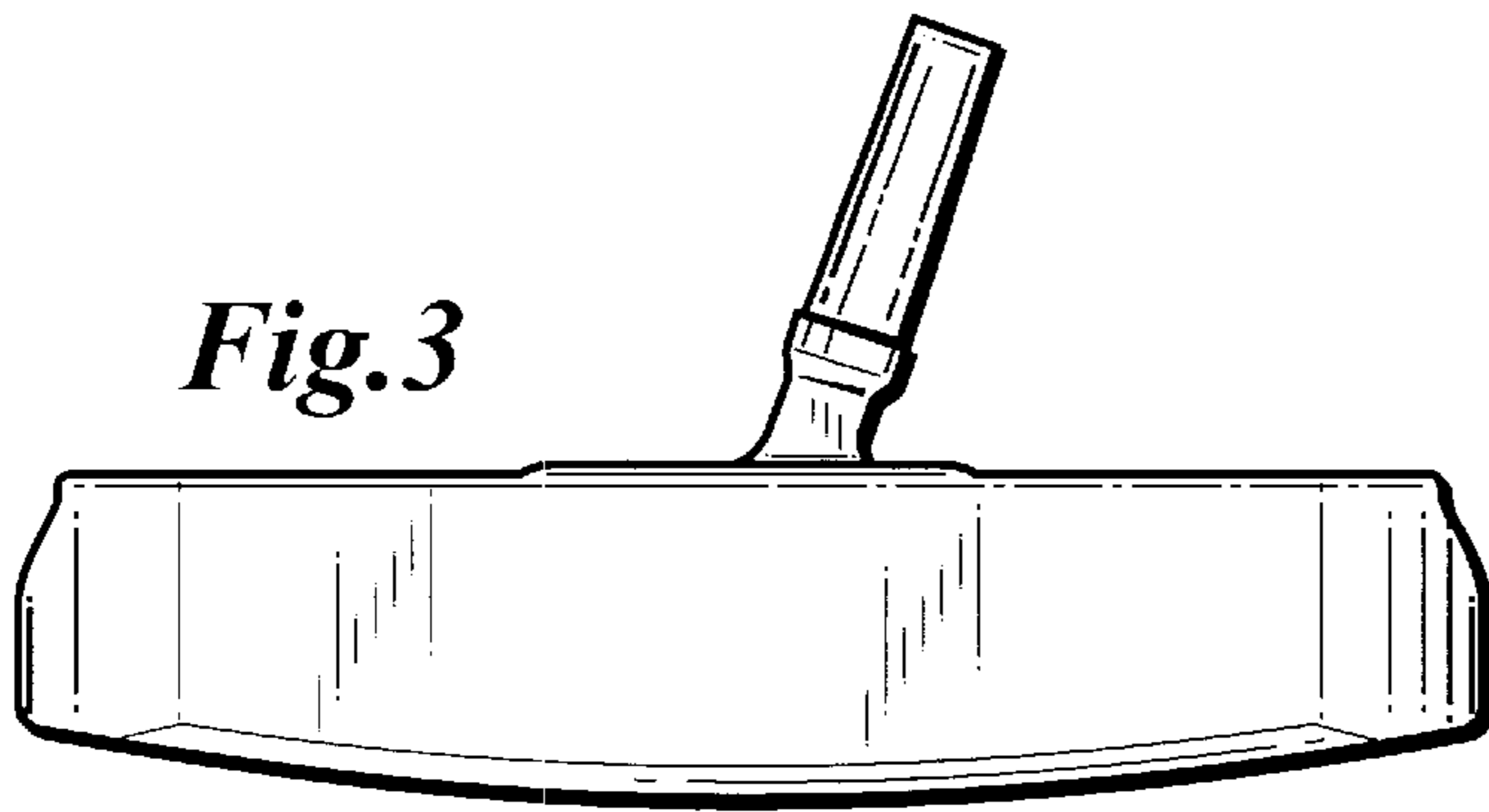
*Fig.1*



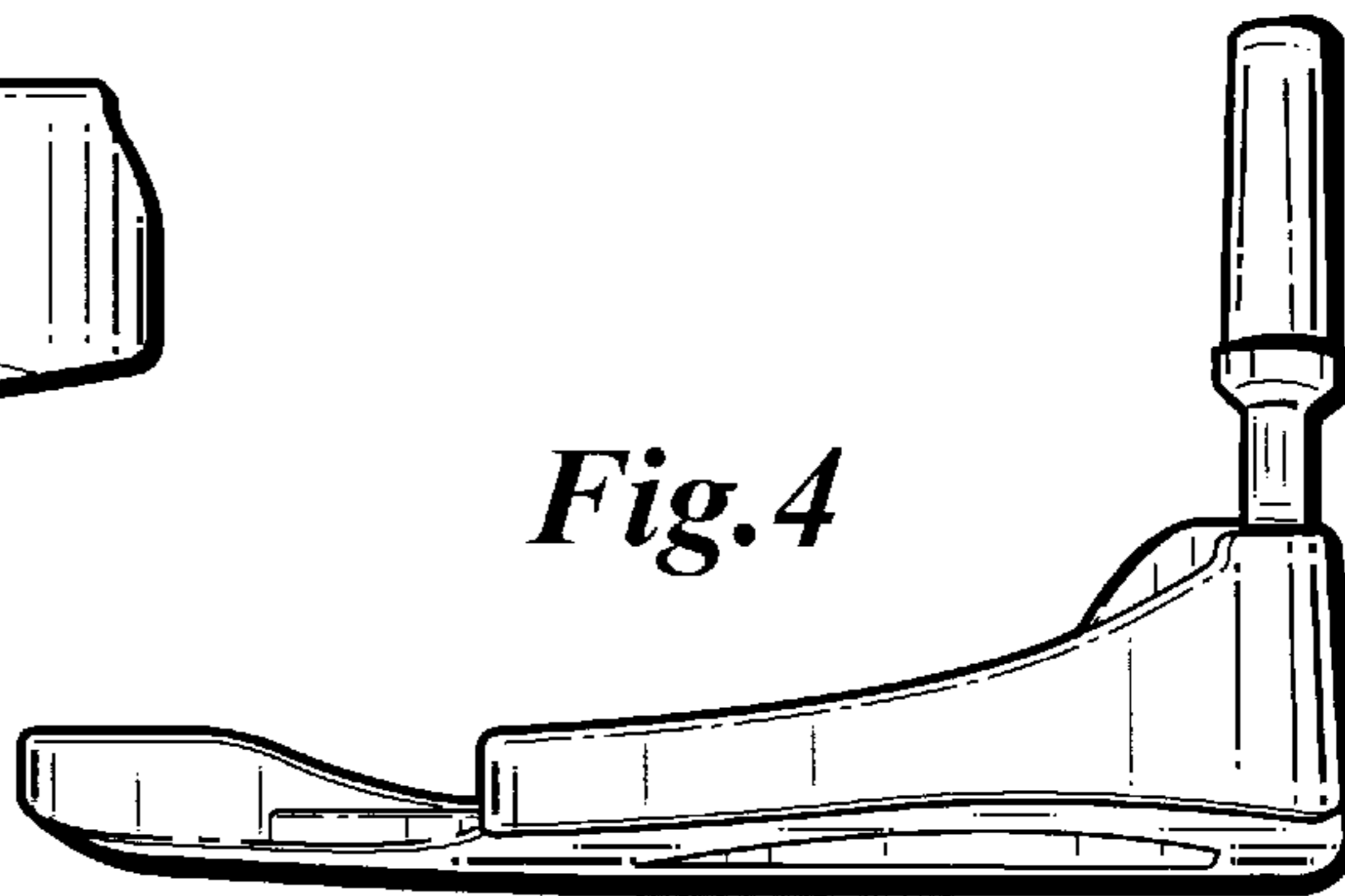
*Fig.2*



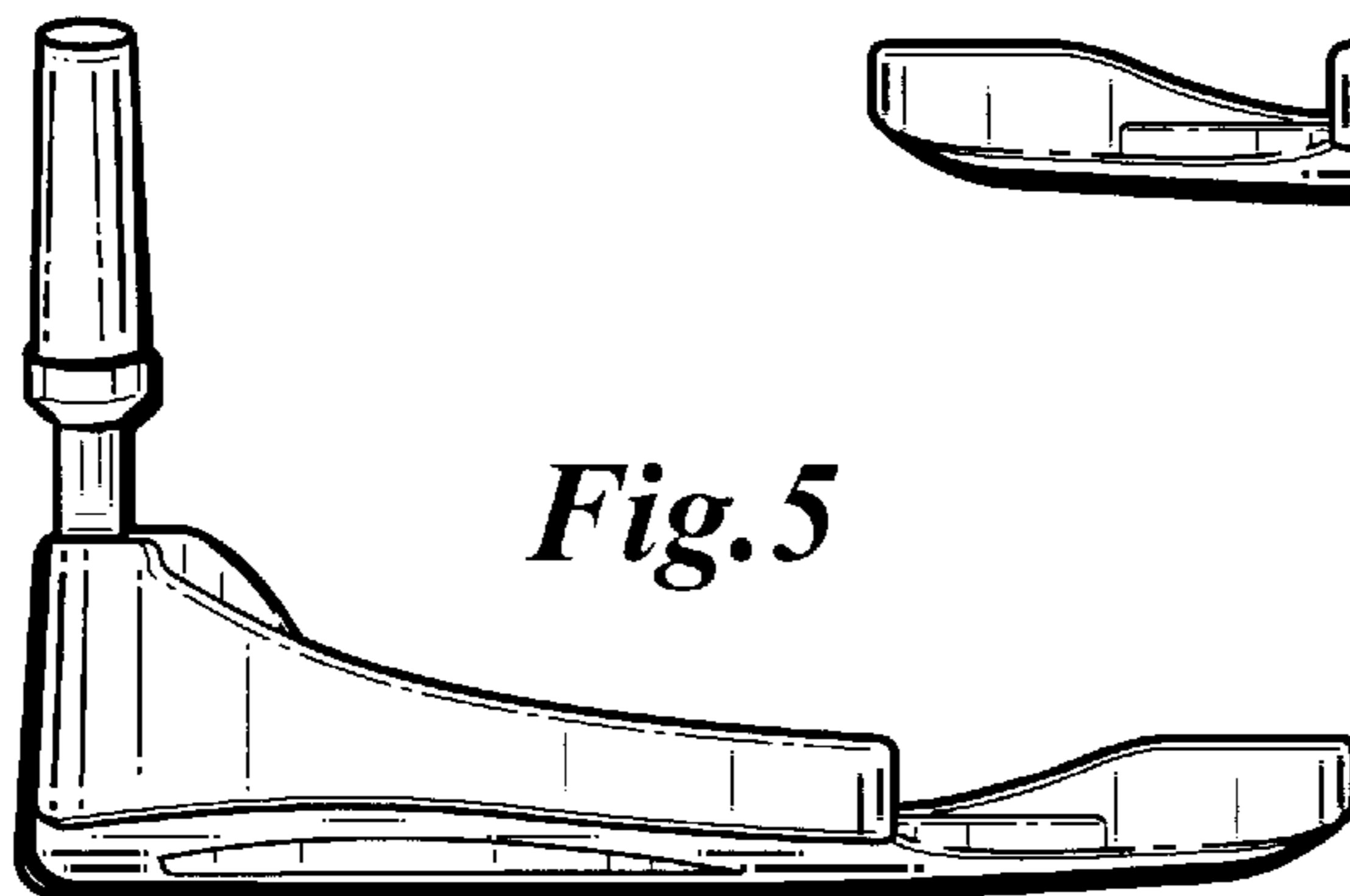
*Fig.3*



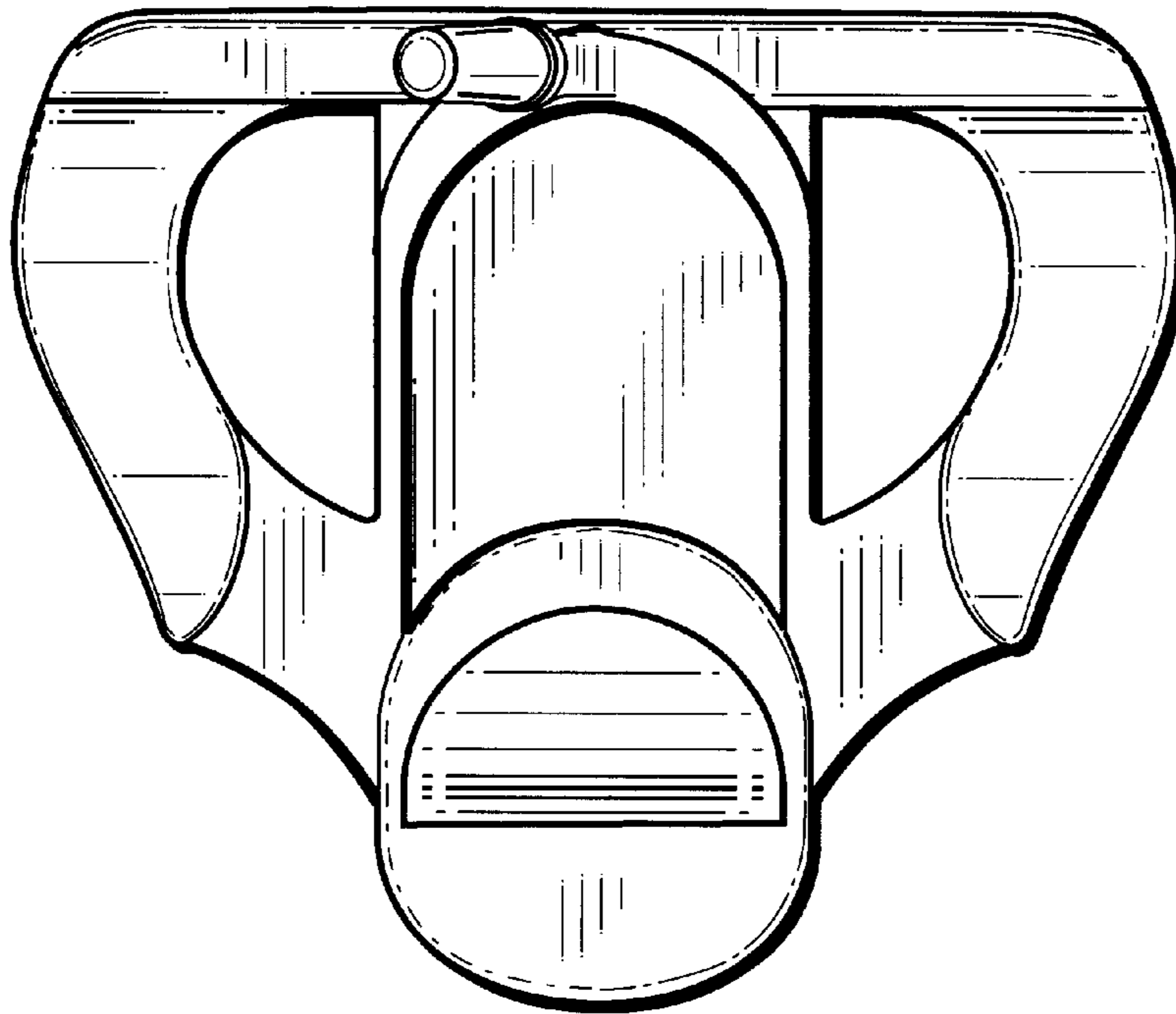
*Fig.4*



*Fig.5*



*Fig. 6*



*Fig. 7*

