



US00D532842S

(12) **United States Design Patent** (10) **Patent No.:** **US D532,842 S**  
**Jones et al.** (45) **Date of Patent:** **\*\* \*Nov. 28, 2006**

(54) **GOLF PUTTER HEAD**  
(75) Inventors: **David D. Jones**, Glendale, AZ (US);  
**John A. Solheim**, Phoenix, AZ (US);  
**John K. Solheim**, Anthem, AZ (US);  
**Lou C. Beebe**, Phoenix, AZ (US)  
(73) Assignee: **Karsten Manufacturing Corporation**,  
Phoenix, AZ (US)  
(\* ) Notice: This patent is subject to a terminal dis-  
claimer.  
(\*\*) Term: **14 Years**  
(21) Appl. No.: **29/233,177**  
(22) Filed: **Jun. 28, 2005**  
(51) **LOC (8) Cl.** ..... **21-02**  
(52) **U.S. Cl.** ..... **D21/736**  
(58) **Field of Classification Search** ..... D21/736-746,  
D21/759; 473/324-331, 251-356, 340, 341  
See application file for complete search history.

5,213,332 A 5/1993 Fahy et al.  
D341,405 S 11/1993 Solheim  
5,482,281 A 1/1996 Anderson  
D379,484 S 5/1997 Solheim  
5,630,765 A 5/1997 Moore  
D380,029 S 6/1997 Anderson  
5,749,791 A 5/1998 Passeri  
D399,911 S 10/1998 Nicolette et al.  
5,830,078 A 11/1998 McMahan  
D402,722 S 12/1998 Rollinson  
5,842,935 A 12/1998 Nelson  
D405,137 S 2/1999 Nelson  
5,871,407 A 2/1999 Tseng  
D410,717 S 6/1999 Anderson  
D411,271 S 6/1999 Nelson  
5,916,035 A 6/1999 Caiozzo  
6,017,280 A 1/2000 Hubert  
6,059,669 A 5/2000 Pearce  
6,080,070 A 6/2000 Whitley  
D437,017 S 1/2001 Ford  
D444,833 S 7/2001 Wells et al.  
D449,865 S 10/2001 Fife

(Continued)

*Primary Examiner*—Mitchell Siegel  
(74) *Attorney, Agent, or Firm*—Darrell F. Marquette

(56) **References Cited**  
U.S. PATENT DOCUMENTS

D58,209 S 6/1921 Bachelier  
D163,083 S 5/1951 Belline  
2,954,231 A 9/1960 MacIntyre  
D218,178 S 7/1970 Solheim  
D230,869 S 3/1974 Winter  
D234,960 S 4/1975 Swash  
D235,668 S 7/1975 Swash  
D238,285 S 12/1975 Ross  
4,010,958 A 3/1977 Long  
D255,373 S 6/1980 Solheim  
4,444,395 A 4/1984 Reiss  
D282,952 S 3/1986 Mattingly  
4,688,798 A 8/1987 Pelz  
4,815,739 A 3/1989 Donica  
5,058,895 A 10/1991 Igarashi  
5,116,047 A 5/1992 Phelan  
5,160,141 A 11/1992 Crews  
D334,039 S 3/1993 Tanaka

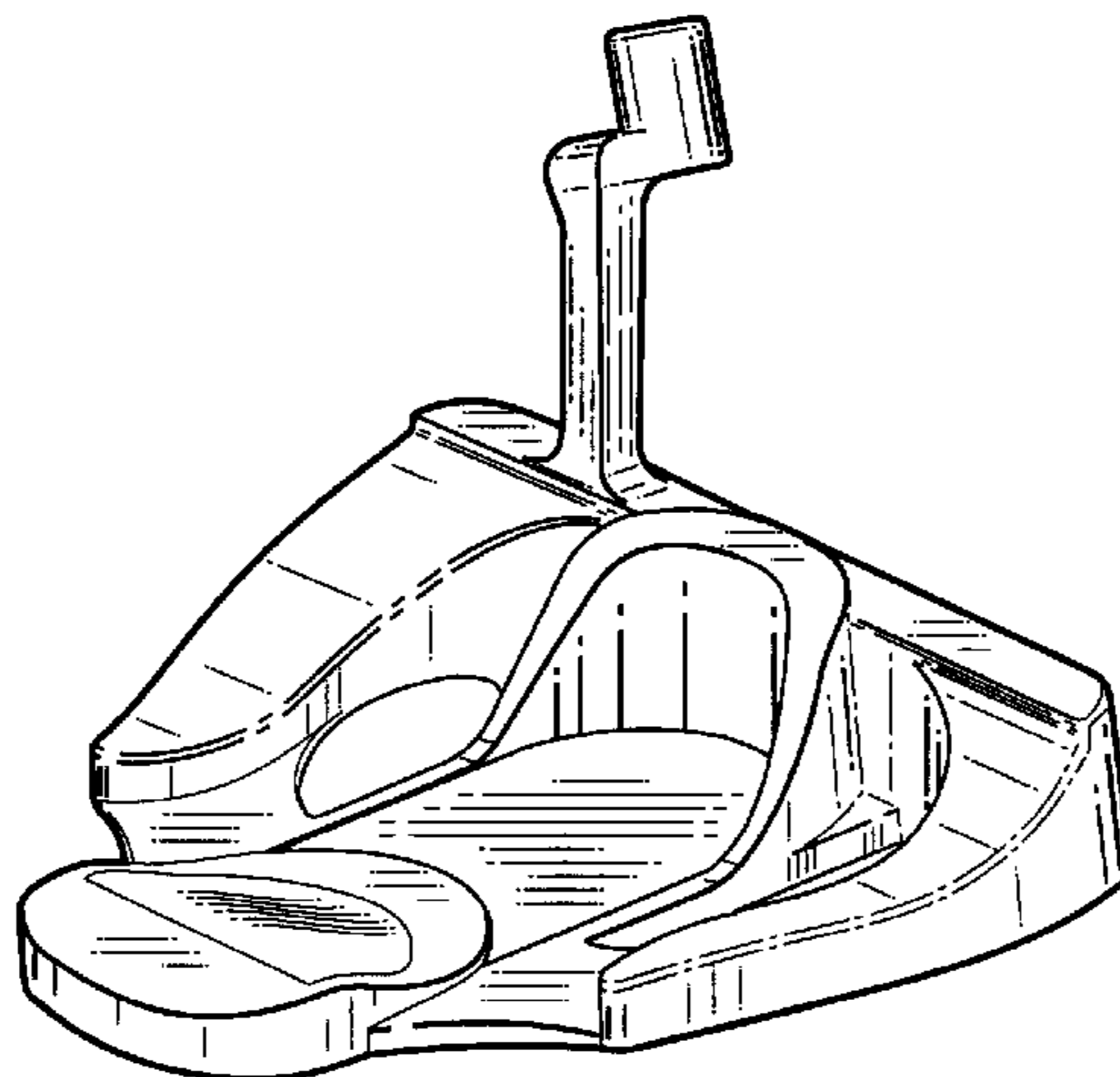
(57) **CLAIM**

The ornamental design for a golf putter head, as shown and described.

**DESCRIPTION**

FIG. 1 is a perspective view of a golf putter head showing our new design;  
FIG. 2 is a rear elevational view of the golf putter head of FIG. 1;  
FIG. 3 is a front elevational view of the golf putter head of FIG. 1;  
FIG. 4 is a toe end view of the golf putter head of FIG. 1;  
FIG. 5 is a heel end view of the golf putter head of FIG. 1;  
FIG. 6 is a top view of the golf putter head of FIG. 1; and,  
FIG. 7 is a bottom view of the golf putter head of FIG. 1.

**1 Claim, 2 Drawing Sheets**



# US D532,842 S

Page 2

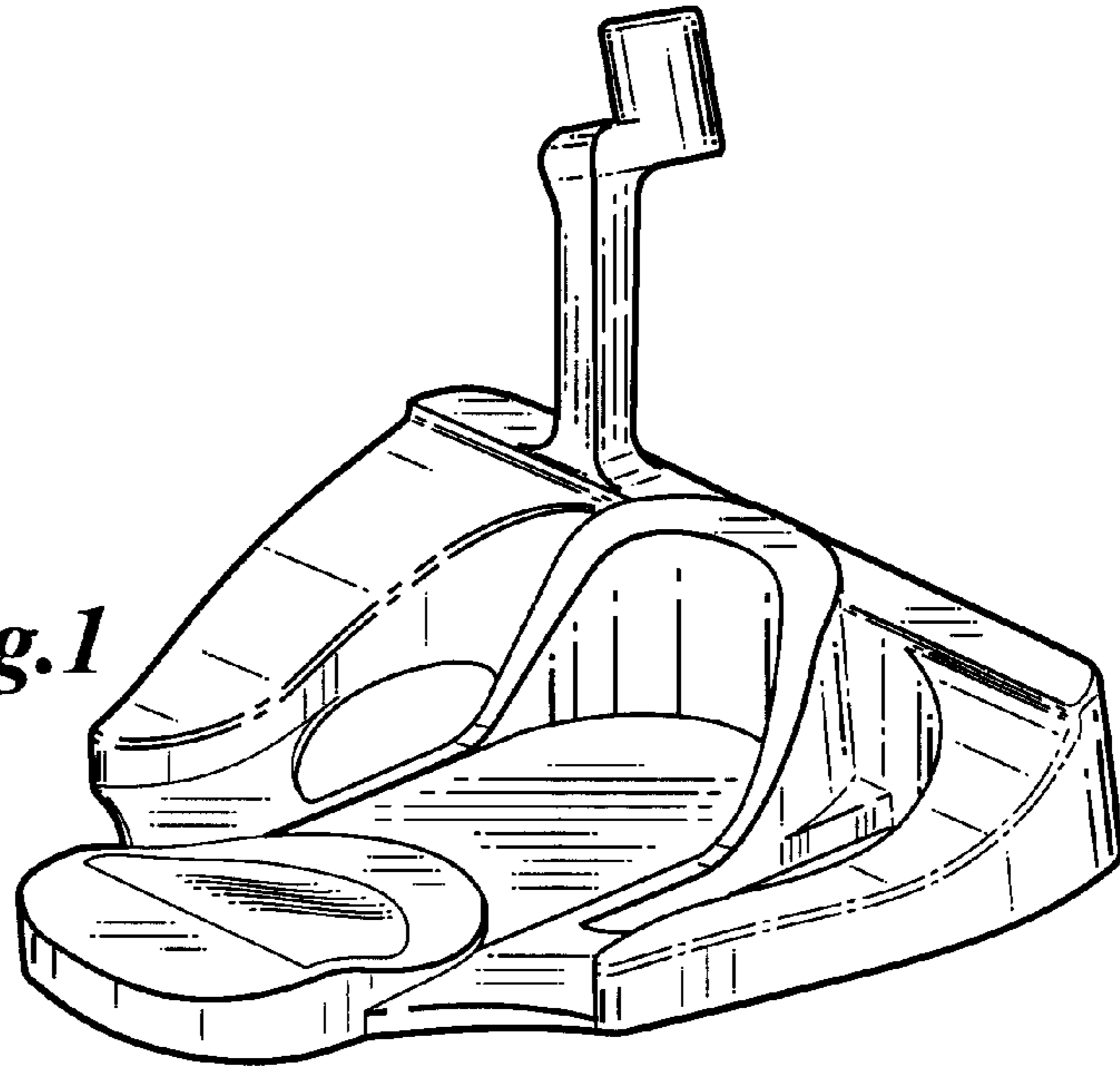
---

## U.S. PATENT DOCUMENTS

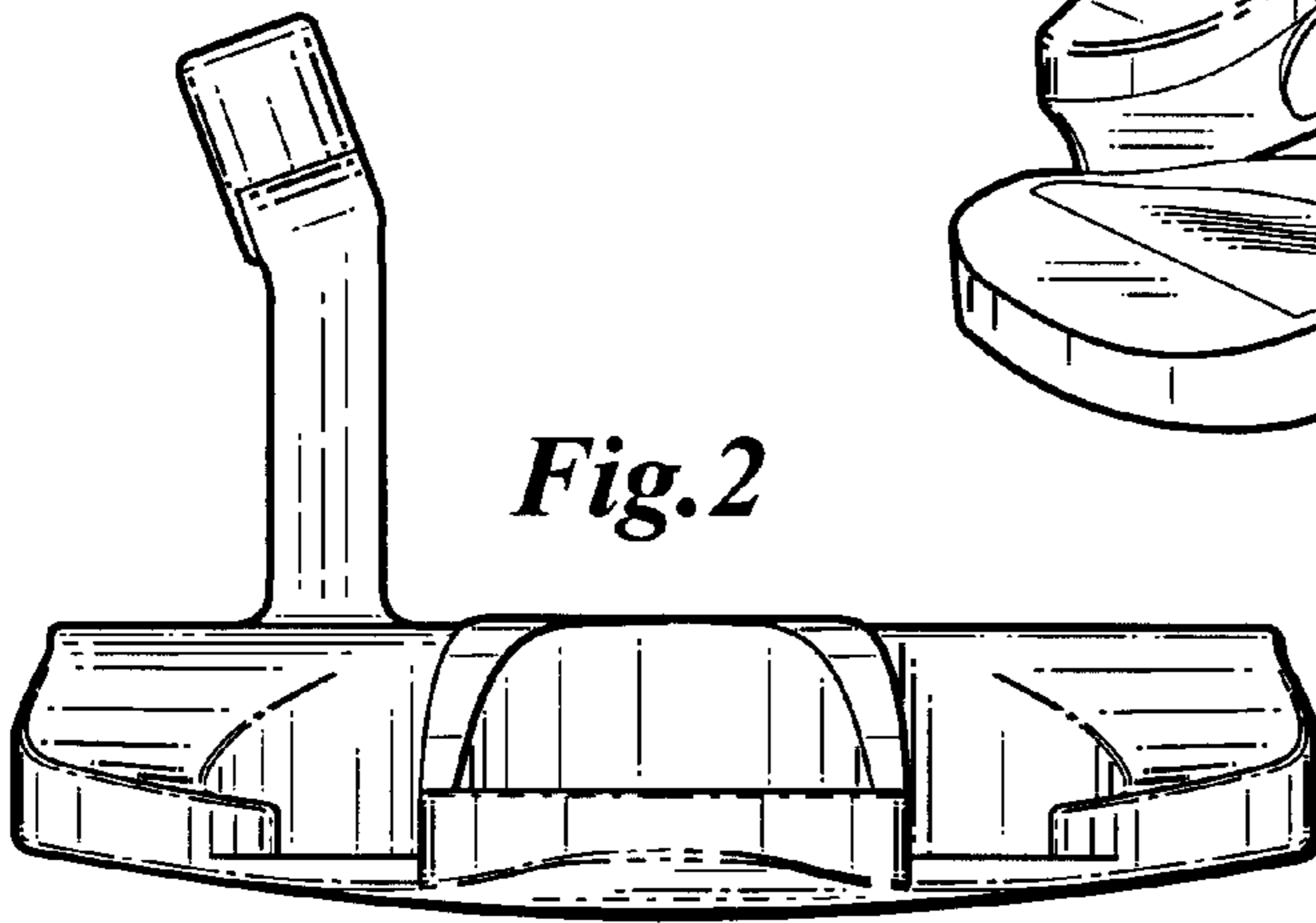
D451,973 S	12/2001	Wells et al.	
6,350,208 B1	2/2002	Ford	
D460,990 S	7/2002	Jung	
D461,860 S *	8/2002	Tang	..... D21/742
6,471,600 B1	10/2002	Tang	
D472,949 S	4/2003	Serrano	
D474,821 S	5/2003	Wells et al.	
D484,935 S *	1/2004	Tang	..... D21/738
D485,321 S *	1/2004	Breier et al.	..... D21/738
D488,526 S	4/2004	Souza et al.	
D493,857 S	8/2004	Cameron	
D496,417 S	9/2004	Tang	
D496,418 S	9/2004	Tang	
6,796,911 B1	9/2004	Grace	
D499,778 S	12/2004	Cameron	
D500,109 S *	12/2004	Solheim et al.	..... D21/736
D500,110 S *	12/2004	Solheim et al.	..... D21/742
6,837,801 B1	1/2005	Souza et al.	
D503,445 S *	3/2005	Toroussian	..... D21/736
D503,447 S *	3/2005	Toroussian	..... D21/736
6,960,140 B1 *	11/2005	Solheim et al.	..... 473/251
D513,050 S *	12/2005	Grimaldo	..... D21/743

\* cited by examiner

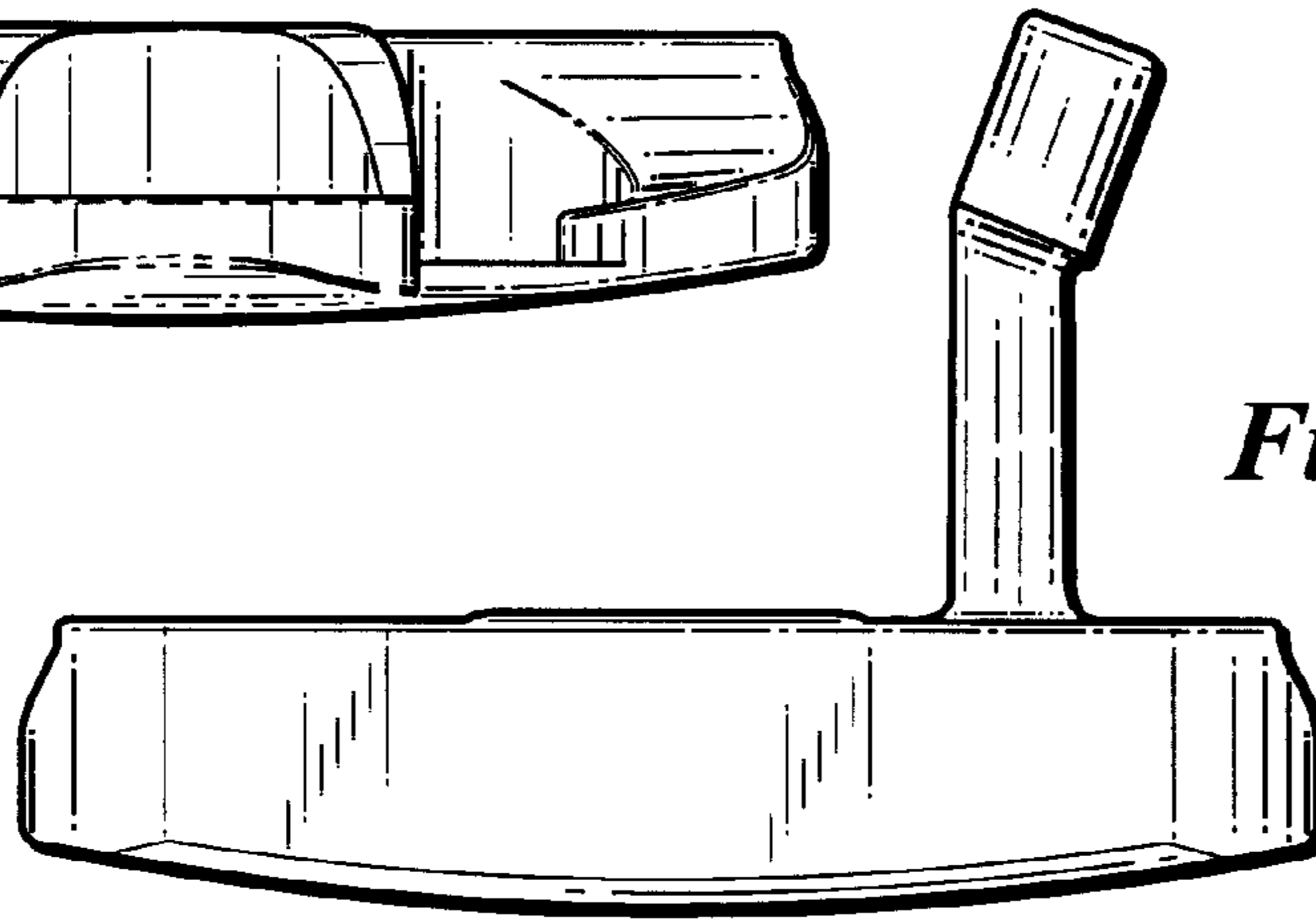
*Fig.1*



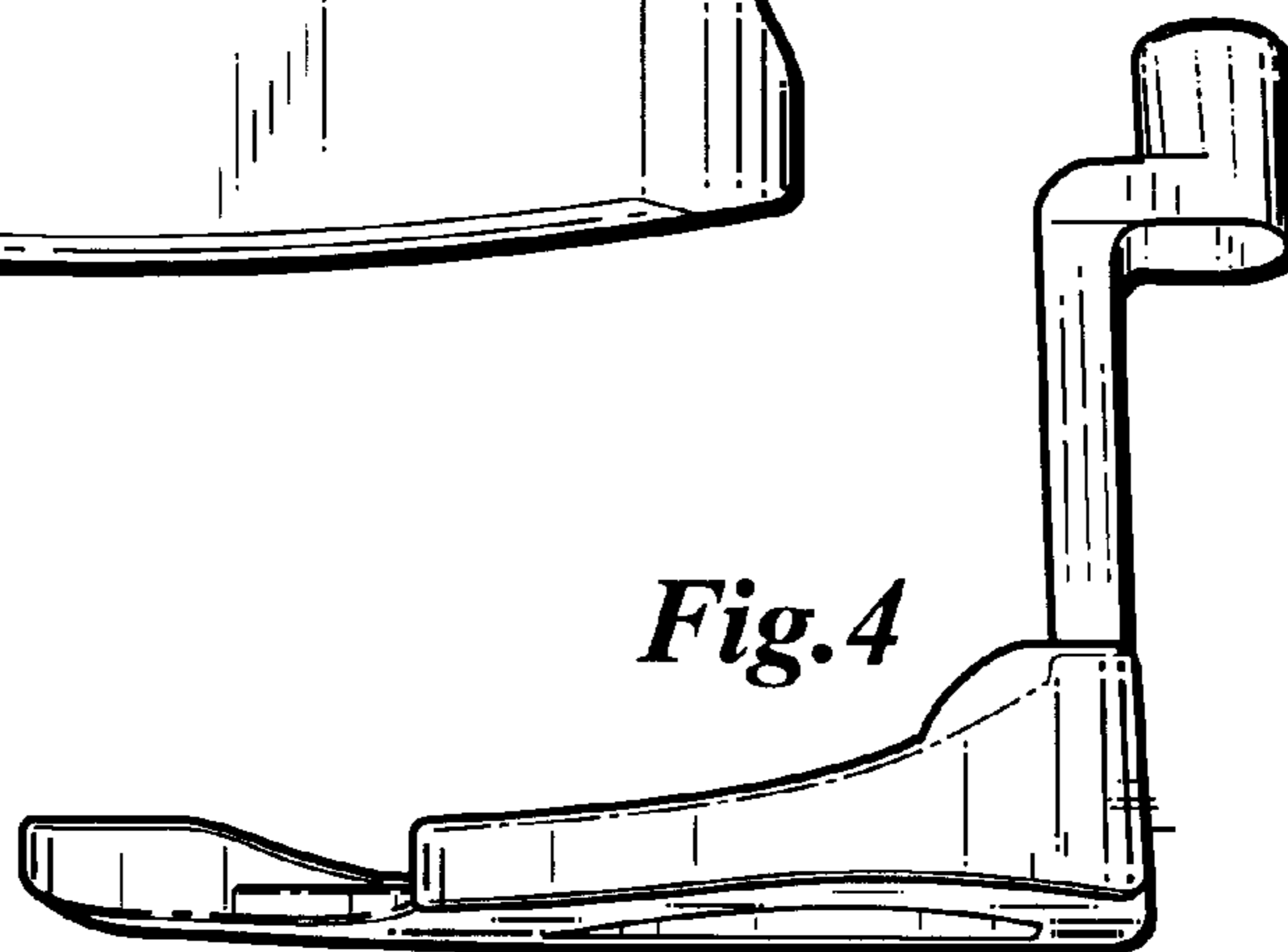
*Fig.2*



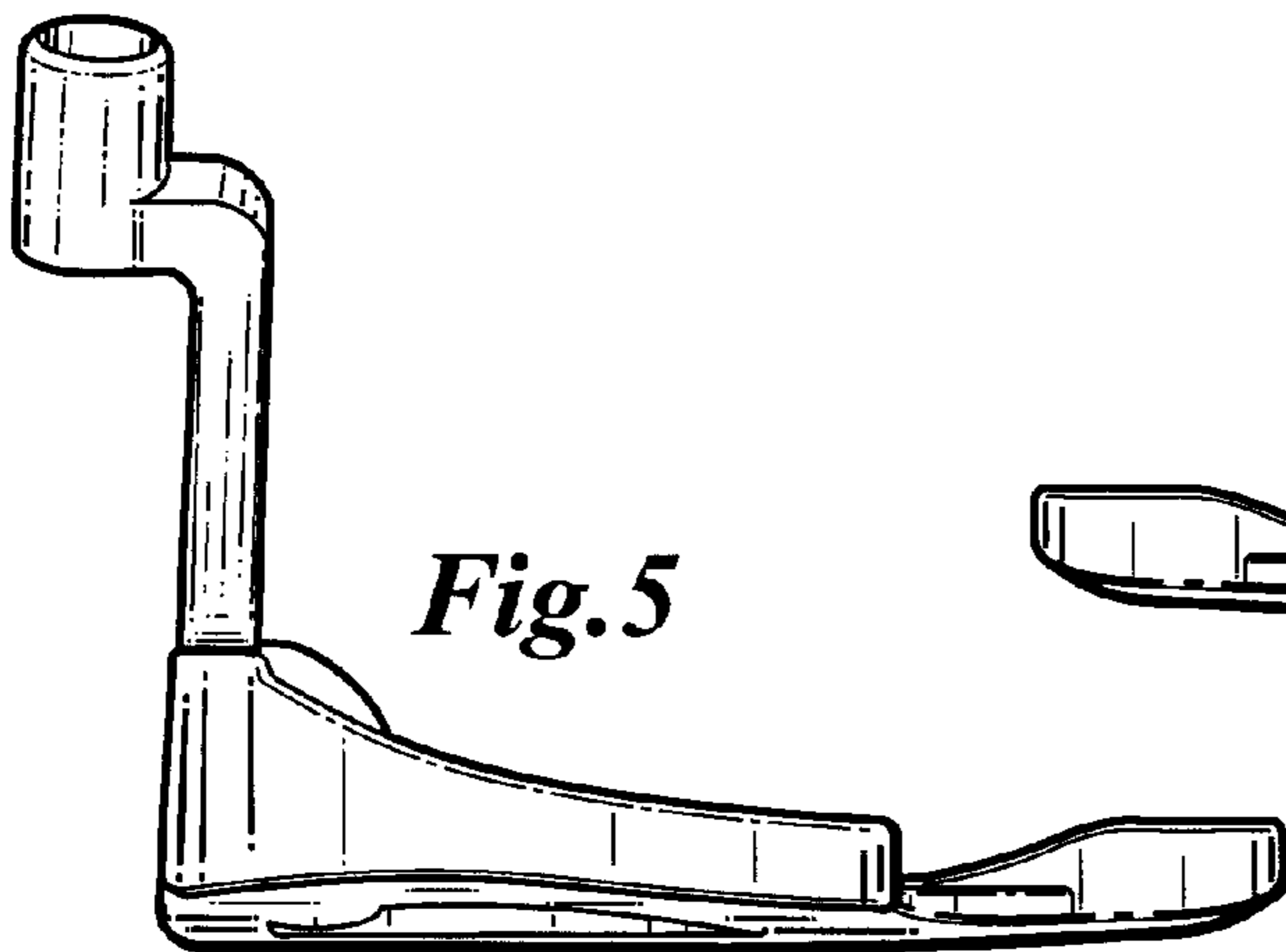
*Fig.3*



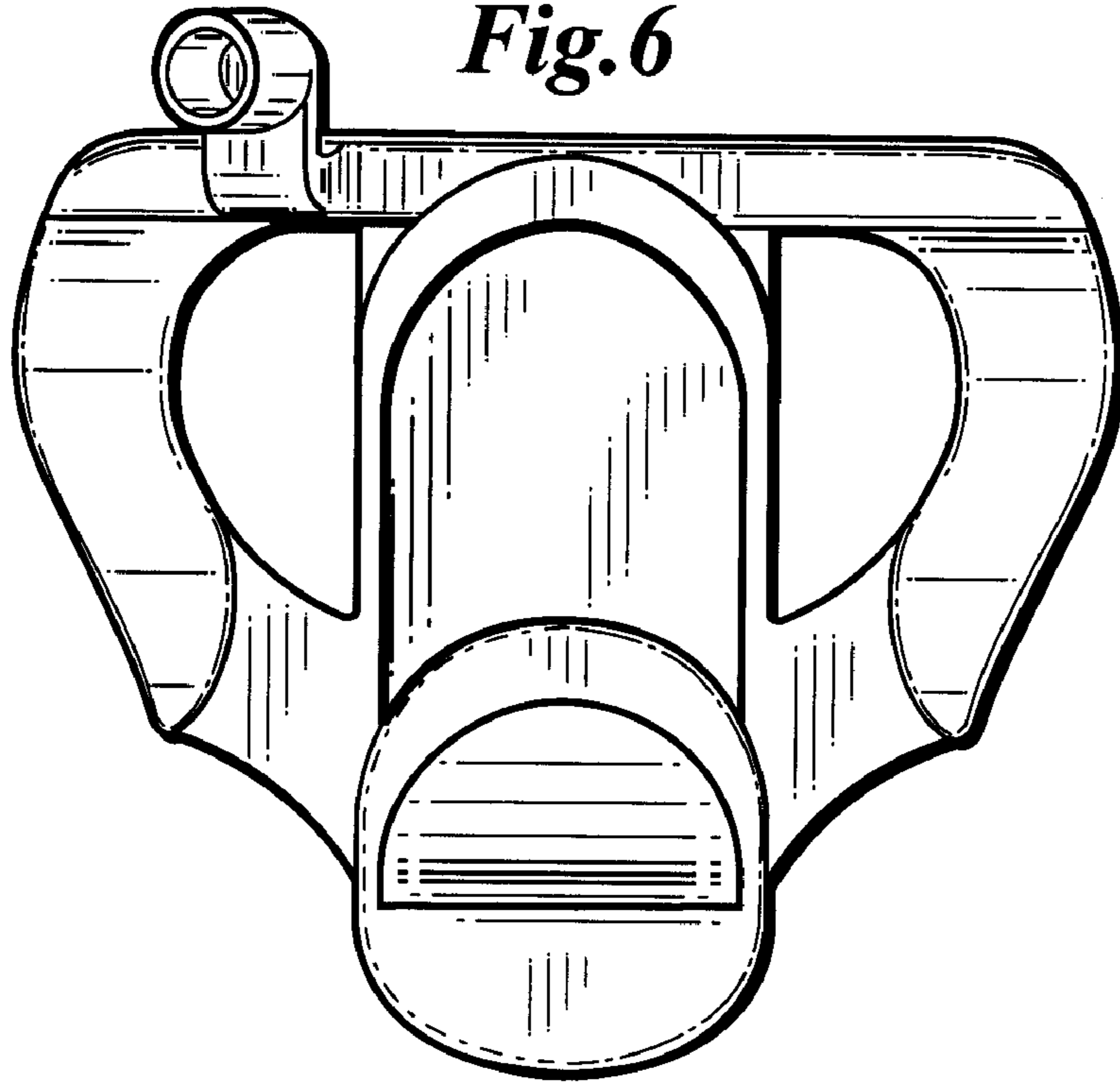
*Fig.4*



*Fig.5*



*Fig. 6*



*Fig. 7*

