



US00D532840S

(12) **United States Design Patent**
Krlin

(10) **Patent No.:** **US D532,840 S**

(45) **Date of Patent:** **** Nov. 28, 2006**

(54) **GOAL DEFENDING WALL**

(76) **Inventor:** **Mike Krlin**, 9770-129th Ave. North,
Largo, FL (US) 33773

(**) **Term:** **14 Years**

(21) **Appl. No.:** **29/223,121**

(22) **Filed:** **Feb. 9, 2005**

(51) **LOC (8) Cl.** **21-02**

(52) **U.S. Cl.** **D21/698; D21/699; D25/38;**
D25/50

(58) **Field of Classification Search** D21/698,
D21/699, 705, 706, 788, 799.1, 800; D25/38,
D25/39, 50, 53, 100; D6/329, 332; 473/415-504;
256/1, 21-27, 31, 32, DIG. 2; 160/135, 351
See application file for complete search history.

(56) **References Cited**

U.S. PATENT DOCUMENTS

- 1,189,025 A * 6/1916 Wiernasz 256/31
- 2,784,779 A * 3/1957 Knipfer et al. 160/135
- 2,819,901 A * 1/1958 Mateja 473/421
- D239,543 S * 4/1976 Kratky D25/50
- 4,072,295 A * 2/1978 Roberts 256/26
- 4,646,807 A * 3/1987 Doublet 160/135
- 4,905,996 A * 3/1990 Tallent et al. 473/197

- 5,161,784 A * 11/1992 Sader 256/24
- D385,967 S * 11/1997 Junell D25/38
- 5,820,110 A * 10/1998 Beu 256/59
- 5,934,679 A * 8/1999 Strain et al. 273/395
- 6,837,809 B1 * 1/2005 Majumdar 473/454

* cited by examiner

Primary Examiner—Catherine Tuttle

(74) *Attorney, Agent, or Firm*—Larson & Larson, PA;
Herbert W. Larson

(57) **CLAIM**

The ornamental design for a goal defending wall, as shown and described.

DESCRIPTION

FIG. 1 is a front elevational view of a goal defending wall, showing my novel design;
 FIG. 2 is a rear elevational view thereof;
 FIG. 3 is a right side view thereof;
 FIG. 4 is a left side view thereof;
 FIG. 5 is a top plan view thereof;
 FIG. 6 is a bottom plan view thereof; and,
 FIG. 7 is a perspective view of the goal defending wal of the present invention, as shown in use with a soccer goal net. The broken lines shown in FIG. 7 are for illustrative purposes only and form no part of the claimed design.

1 Claim, 6 Drawing Sheets

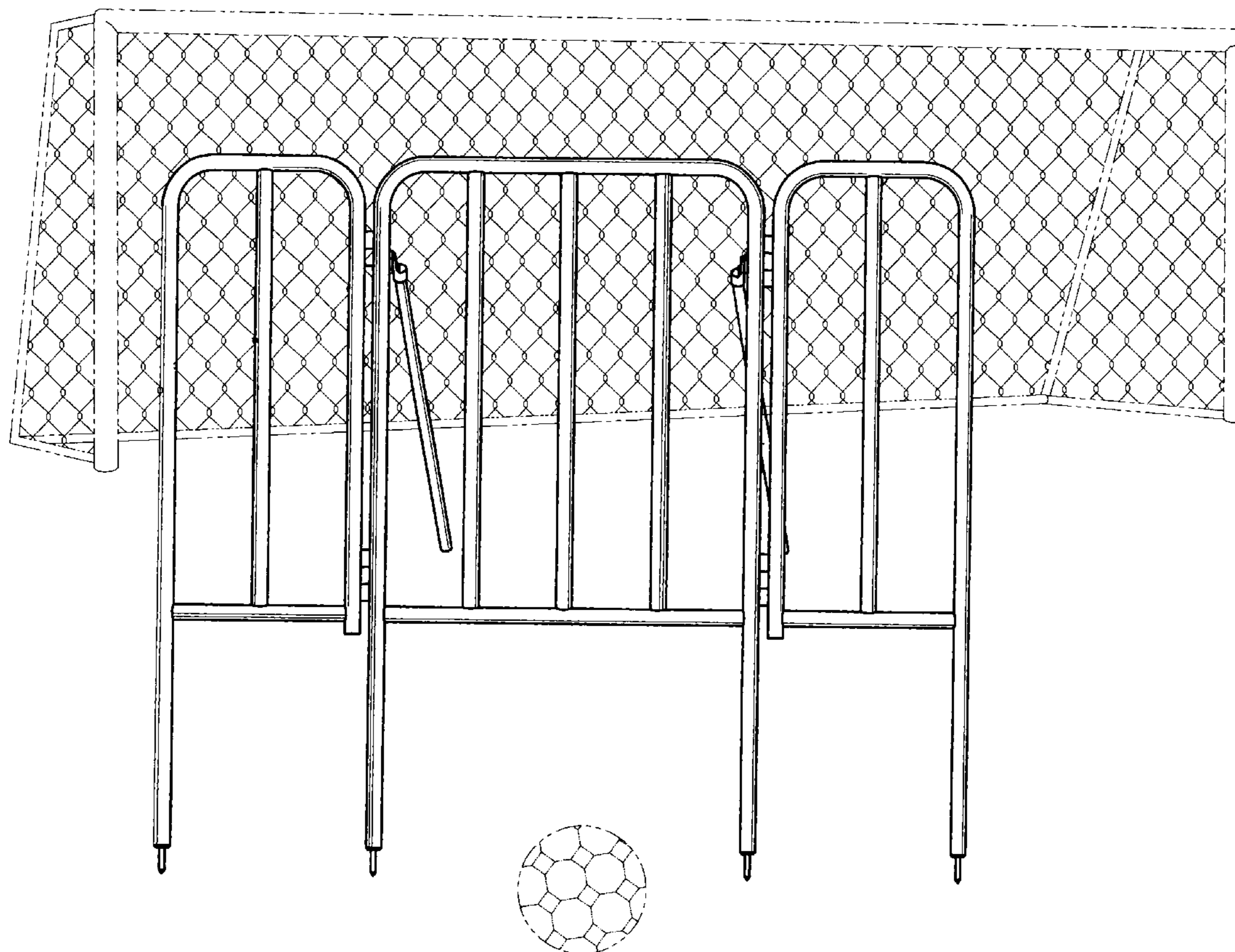


FIG. 1

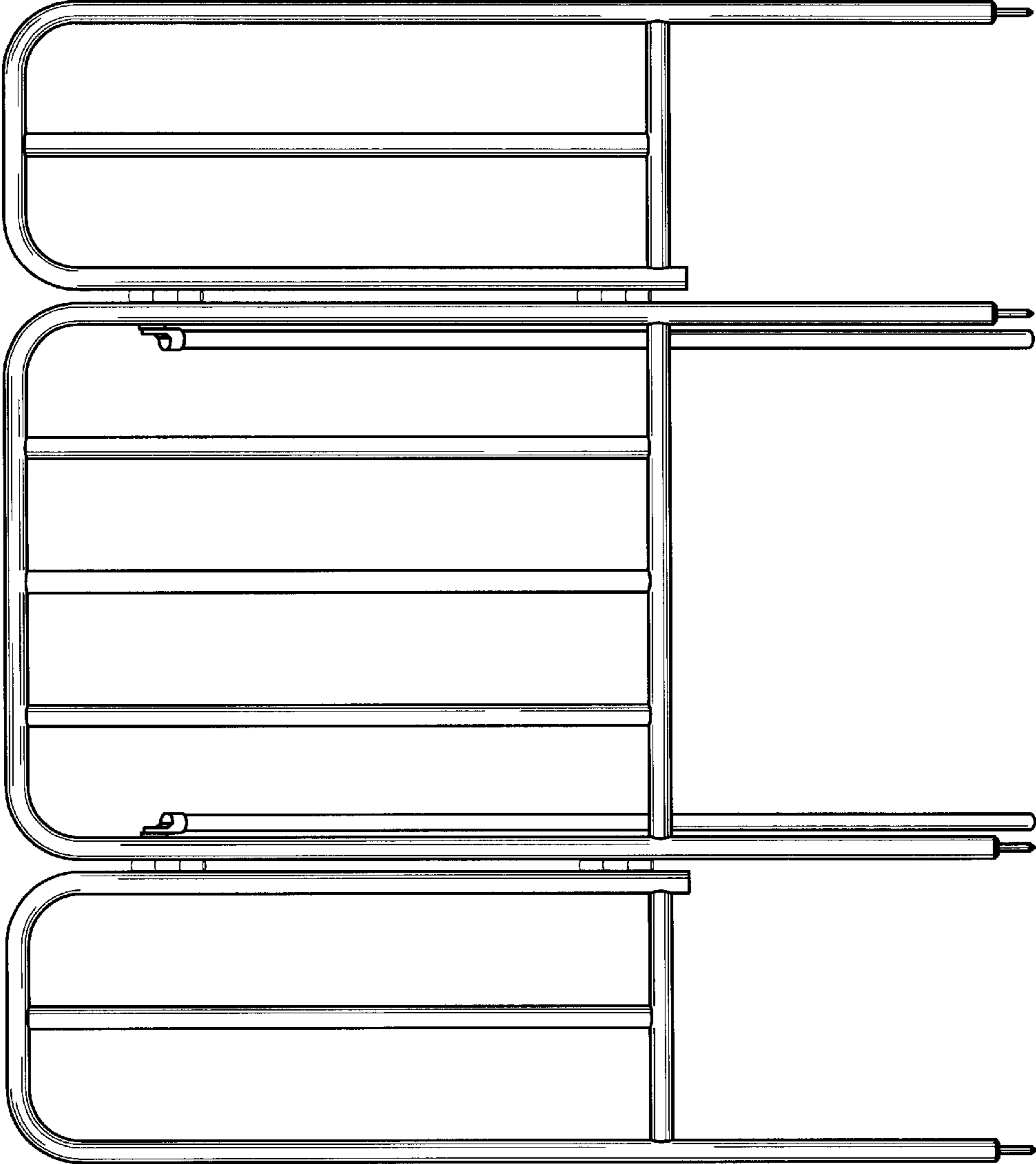


FIG. 2

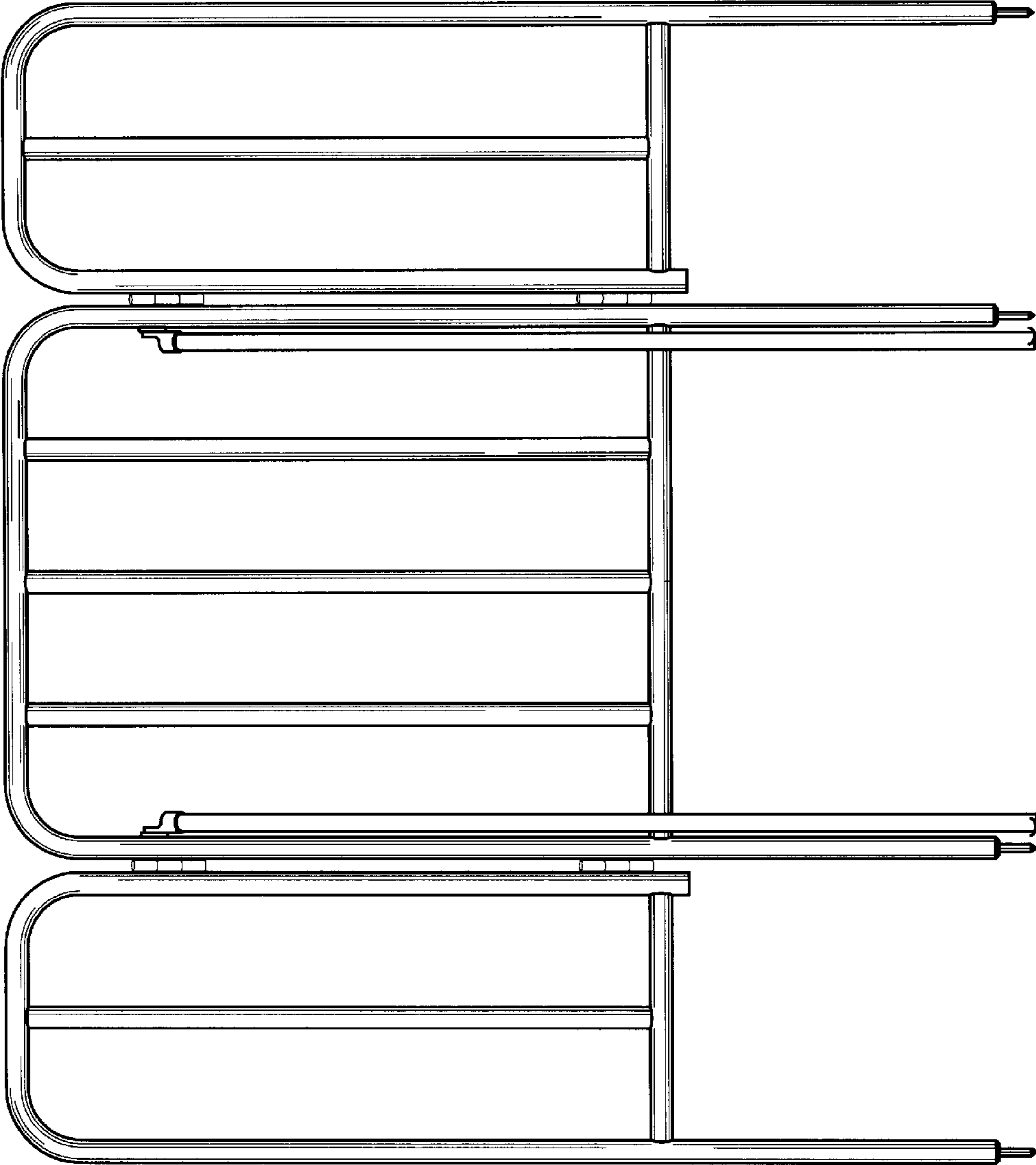


FIG. 3

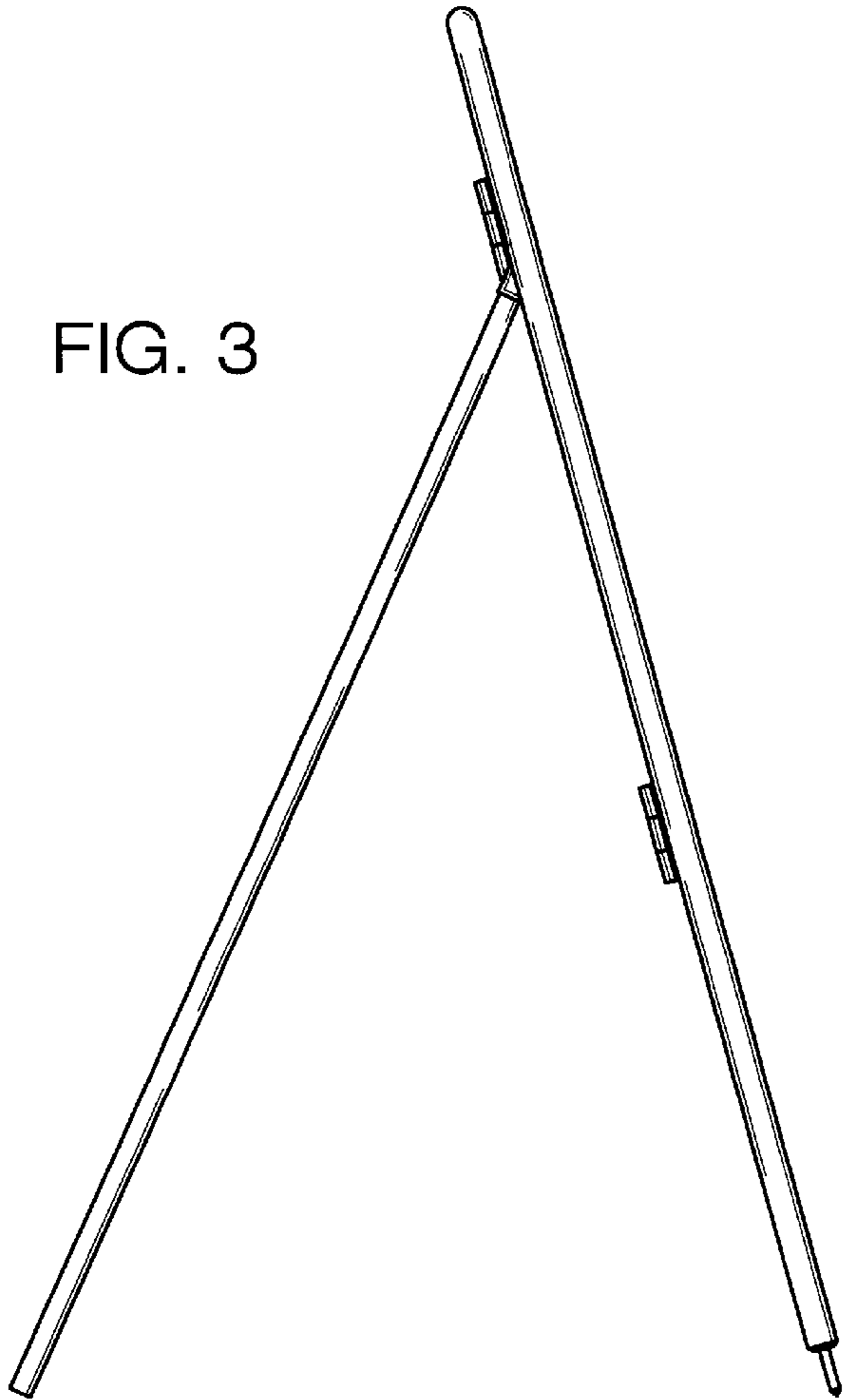


FIG. 4

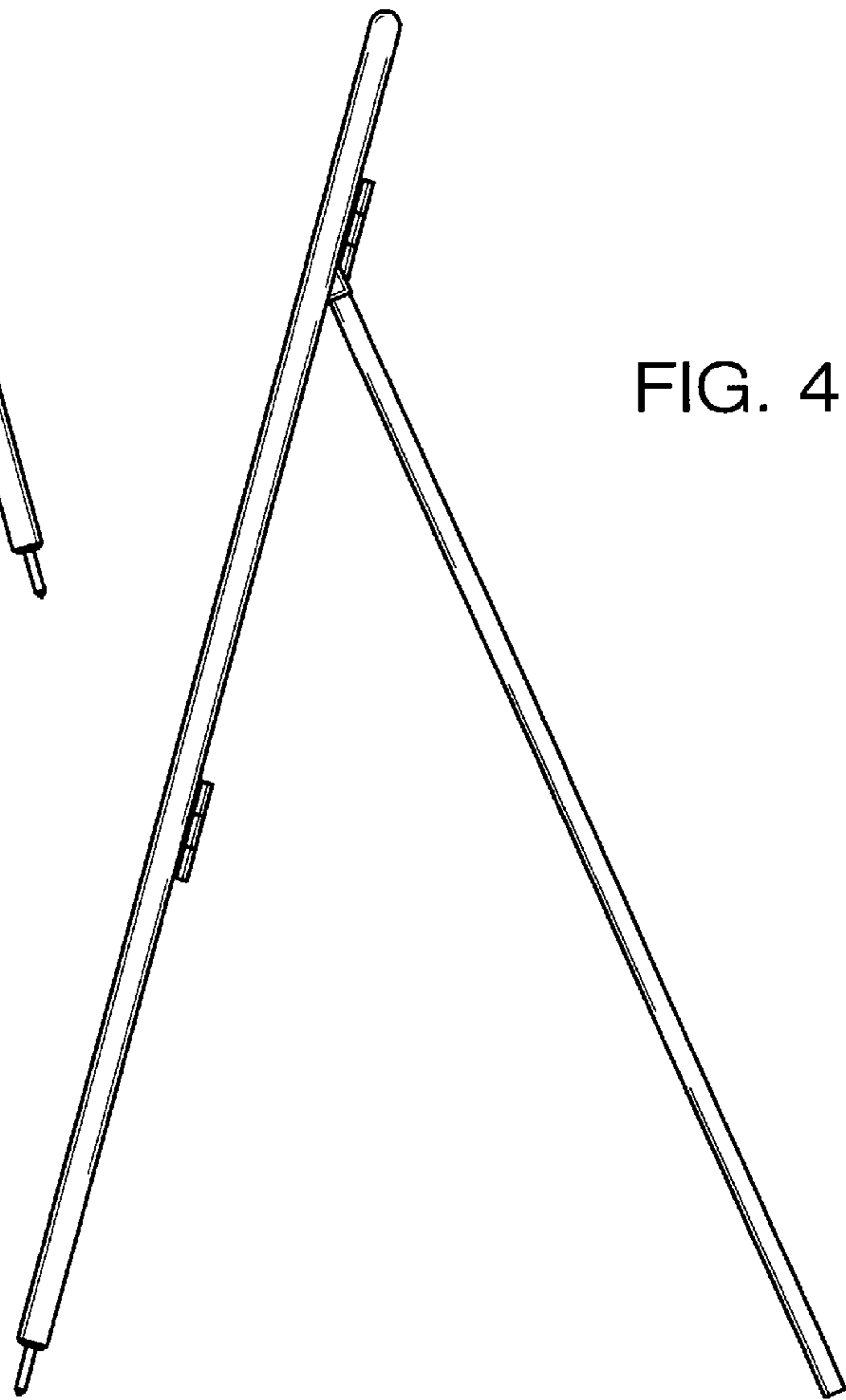


FIG. 5

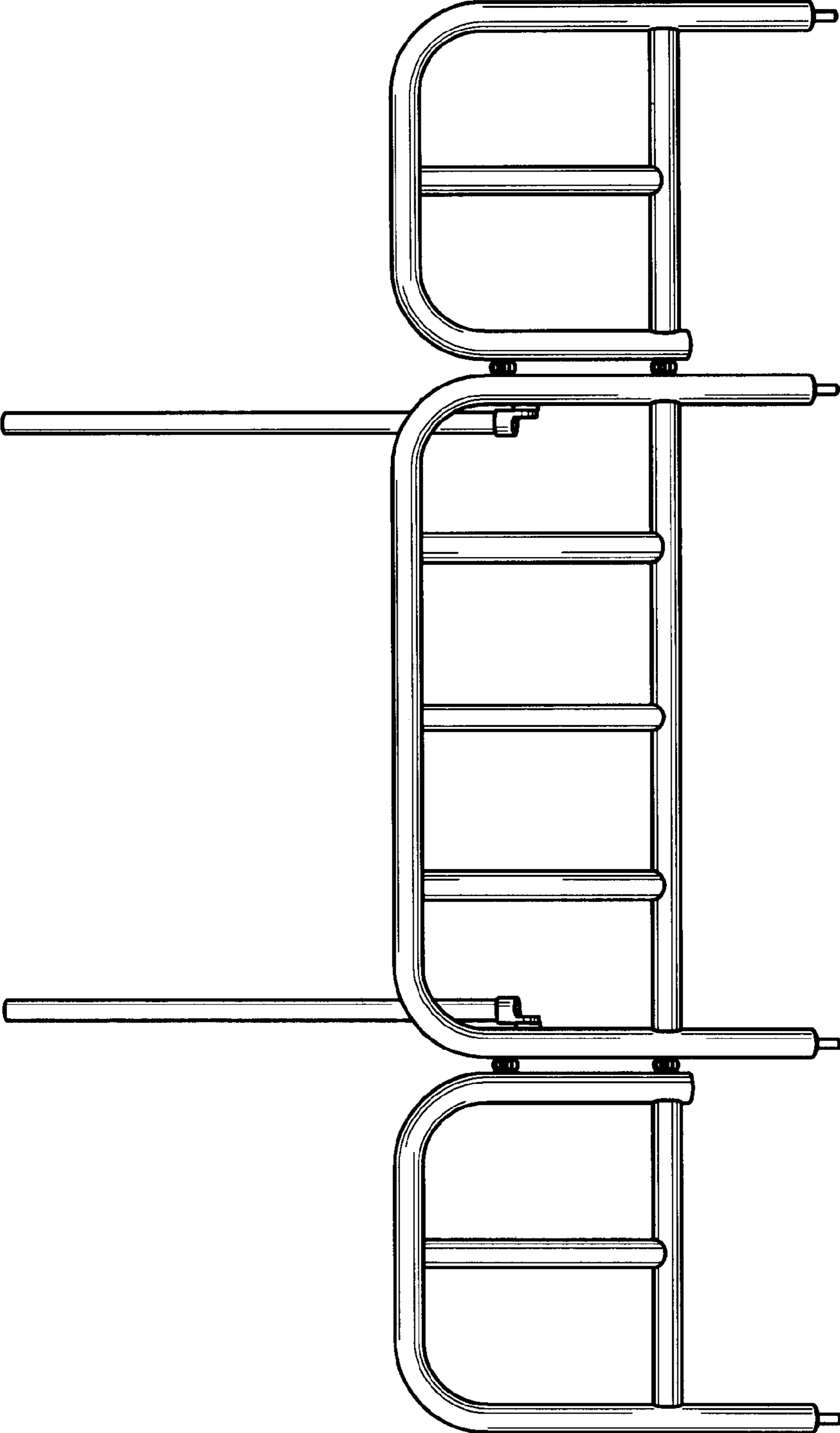
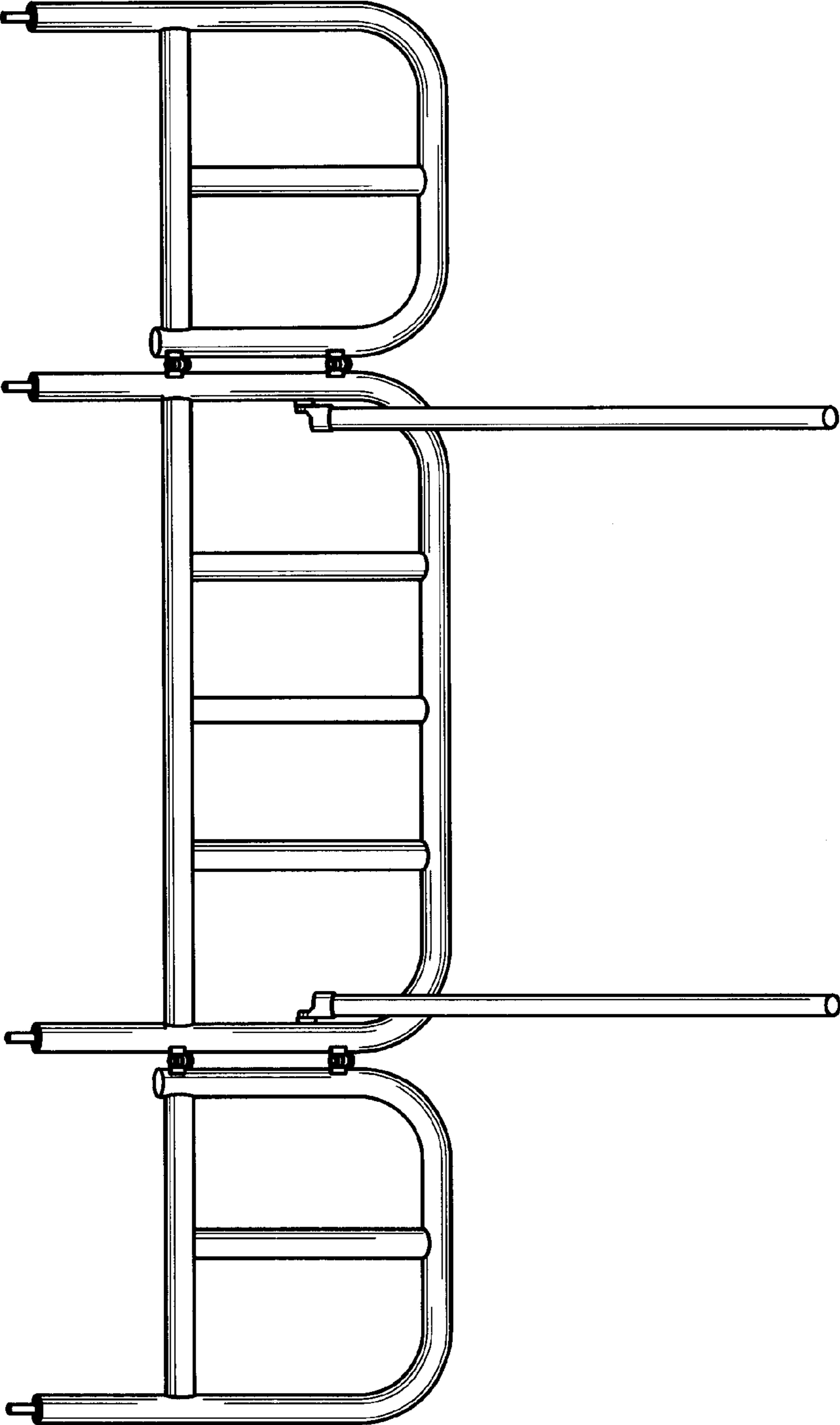


FIG. 6



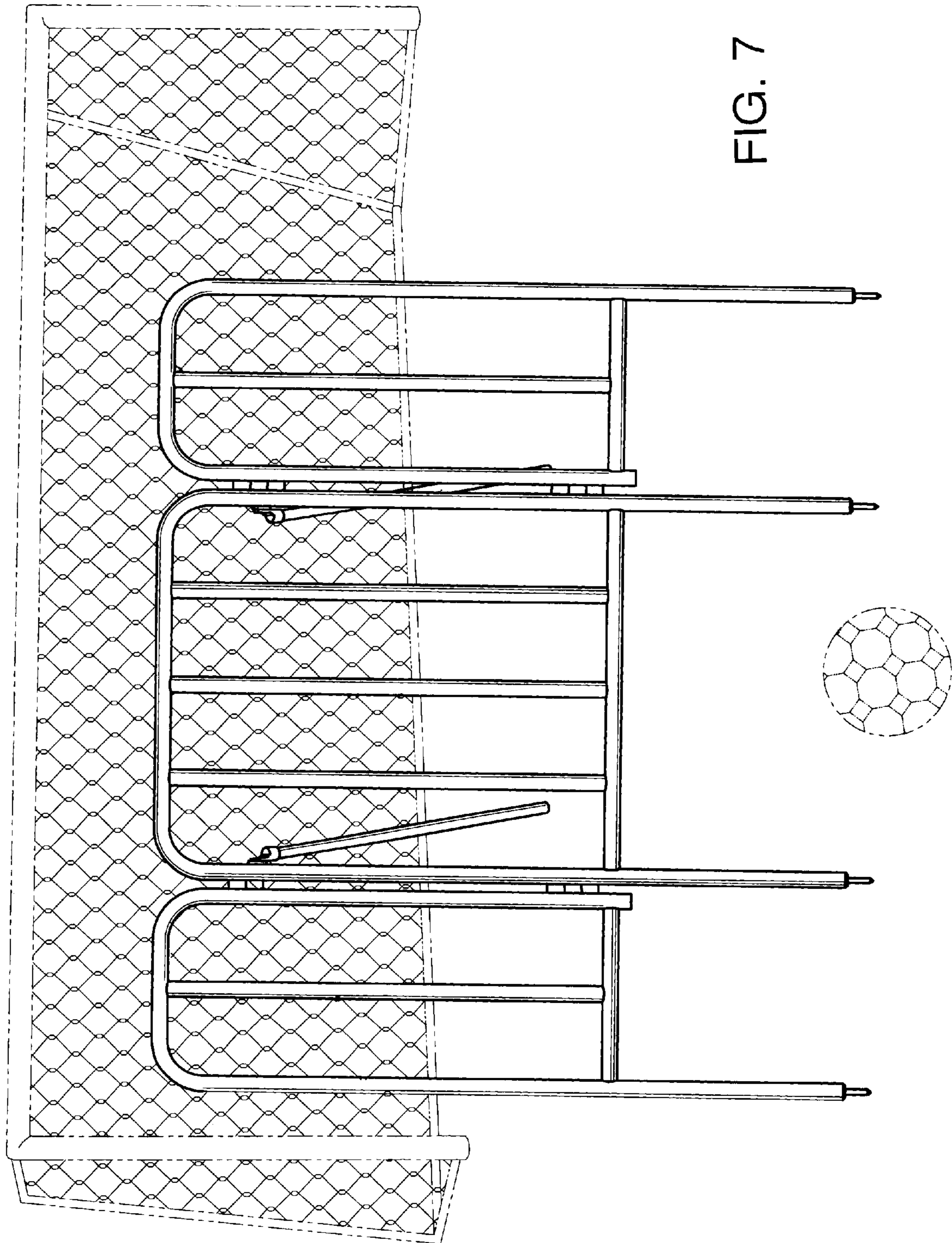


FIG. 7