



US00D532836S

(12) **United States Design Patent**  
**Shih**

(10) **Patent No.:** **US D532,836 S**

(45) **Date of Patent:** **\*\* Nov. 28, 2006**

(54) **PAINTBALL GUN**

(76) **Inventor:** **Pao-Tung Shih**, P.O. Box 90, Tainan City 70499 (TW)

(\*\*) **Term:** **14 Years**

(21) **Appl. No.:** **29/235,299**

(22) **Filed:** **Aug. 1, 2005**

(51) **LOC (8) Cl.** ..... **21-01**

(52) **U.S. Cl.** ..... **D21/573**

(58) **Field of Classification Search** ..... D21/570-574;  
D22/100, 101, 103, 108, 109; 124/32, 41.1,  
124/45, 49, 51.1, 56, 70-74, 77  
See application file for complete search history.

(56) **References Cited**

**U.S. PATENT DOCUMENTS**

D212,245 S \* 9/1968 Chiyokazu ..... D21/574  
D368,121 S \* 3/1996 Lam ..... D21/574

D443,903 S \* 6/2001 Wang ..... D21/574  
D481,426 S \* 10/2003 Jimenez ..... D21/574

\* cited by examiner

*Primary Examiner*—Holly H. Baynham

*Assistant Examiner*—Cynthia M. Chin

(57) **CLAIM**

The ornamental design for a paintball gun, as shown as described.

**DESCRIPTION**

FIG. 1 is a perspective view of a paintball gun showing my design;

FIG. 2 is a front elevational view thereof;

FIG. 3 is a rear elevational view thereof;

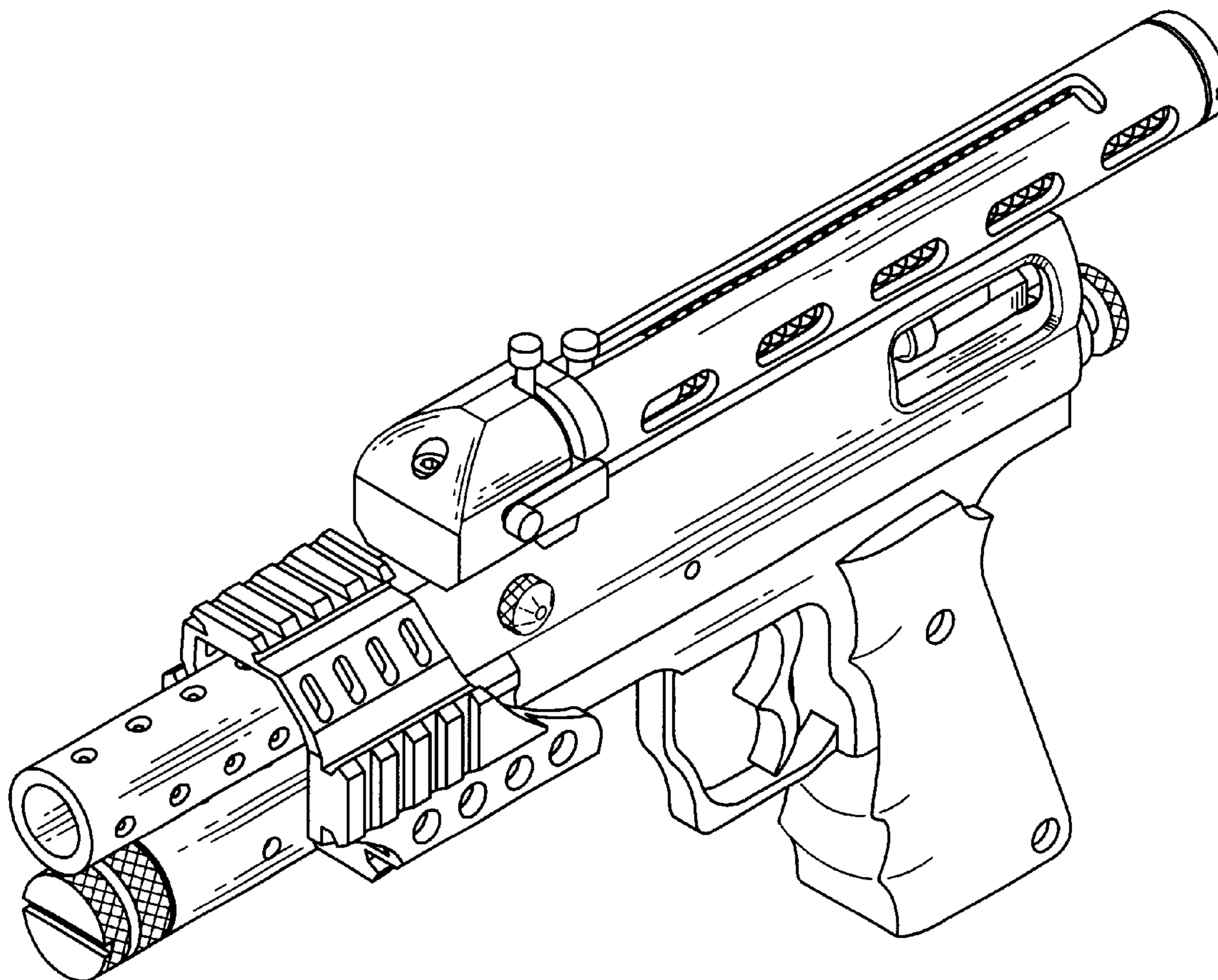
FIG. 4 is a left side elevational view thereof;

FIG. 5 is a right side elevational view thereof;

FIG. 6 is a top plan view thereof; and,

FIG. 7 is a bottom plan view thereof.

**1 Claim, 4 Drawing Sheets**



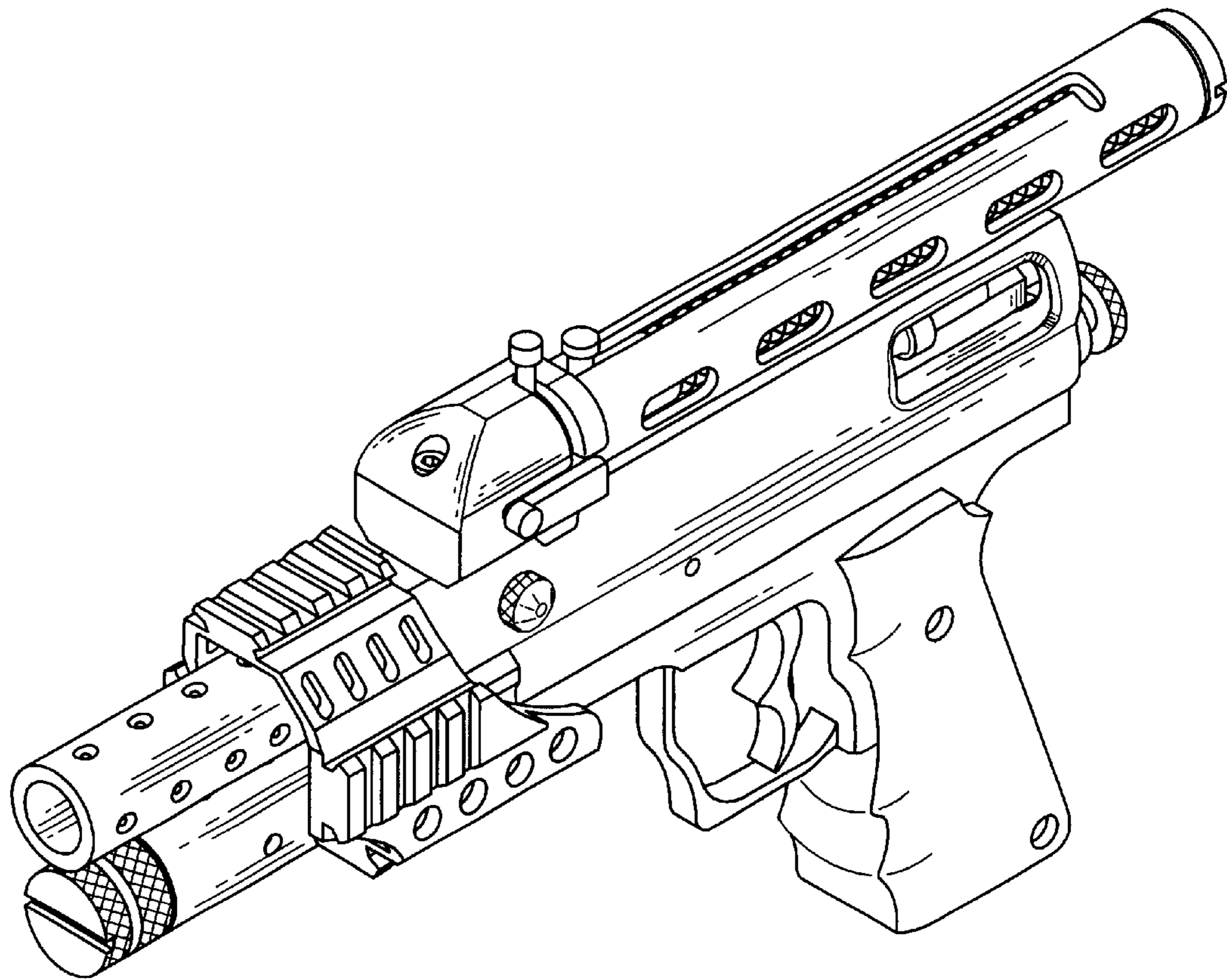


FIG. 1

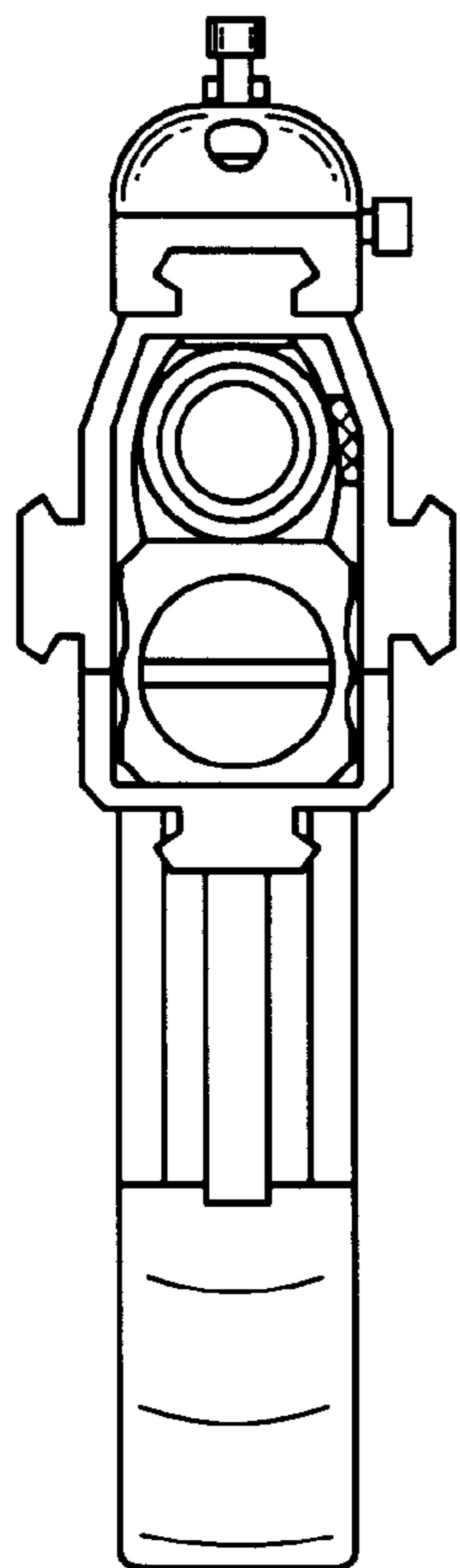


FIG. 2

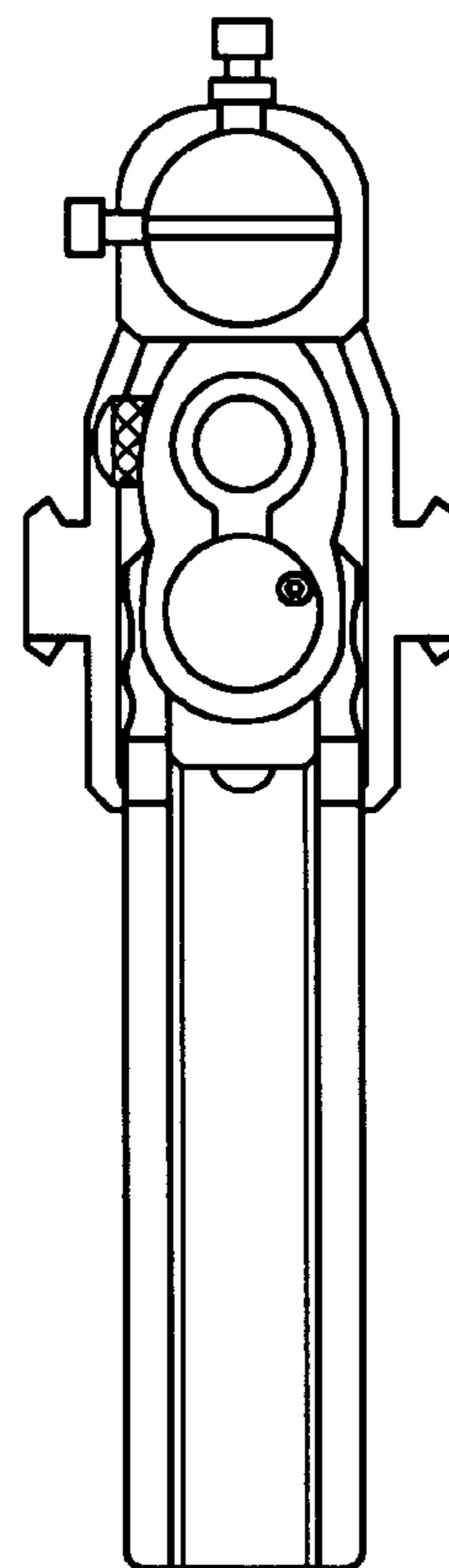


FIG. 3

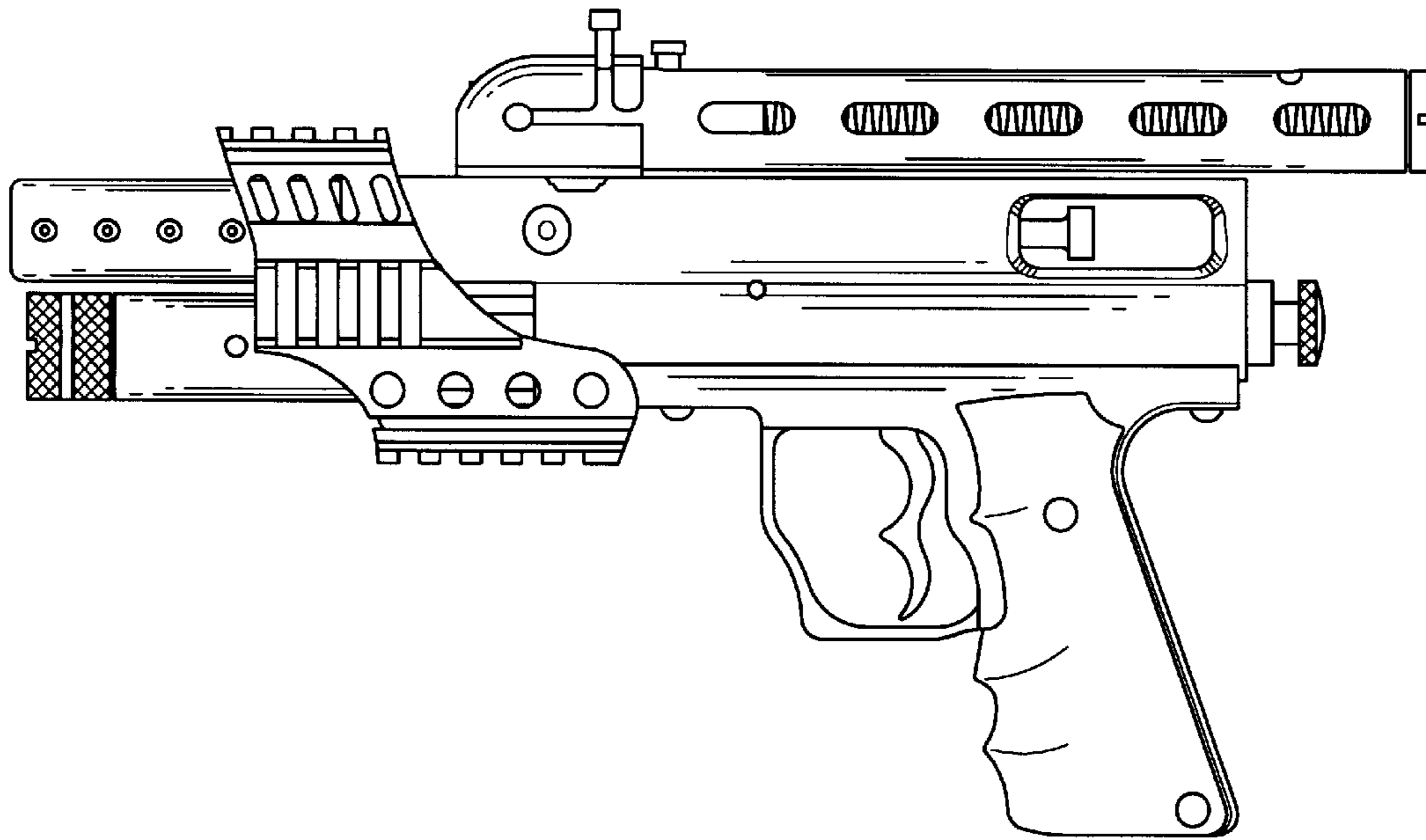


FIG. 4

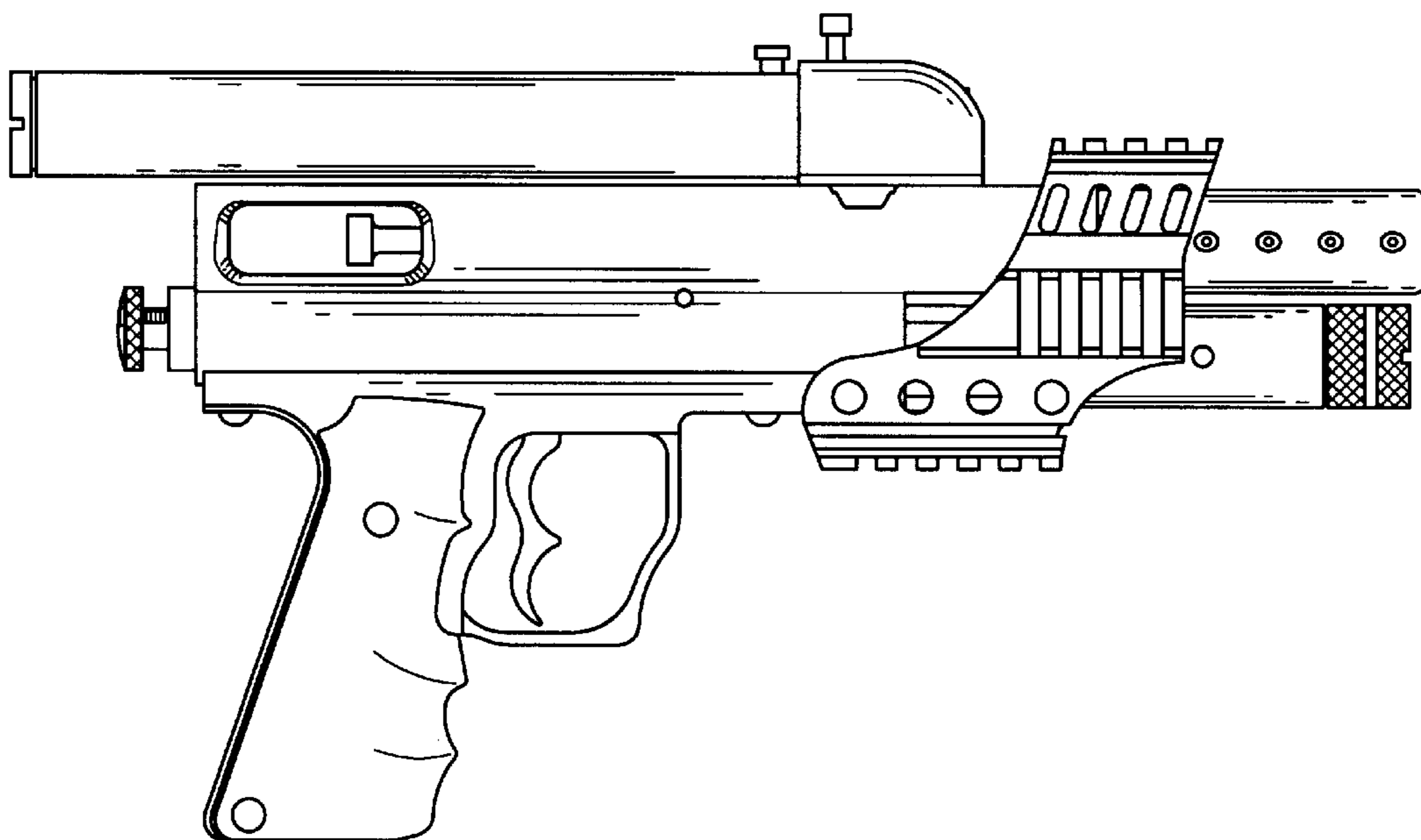


FIG. 5

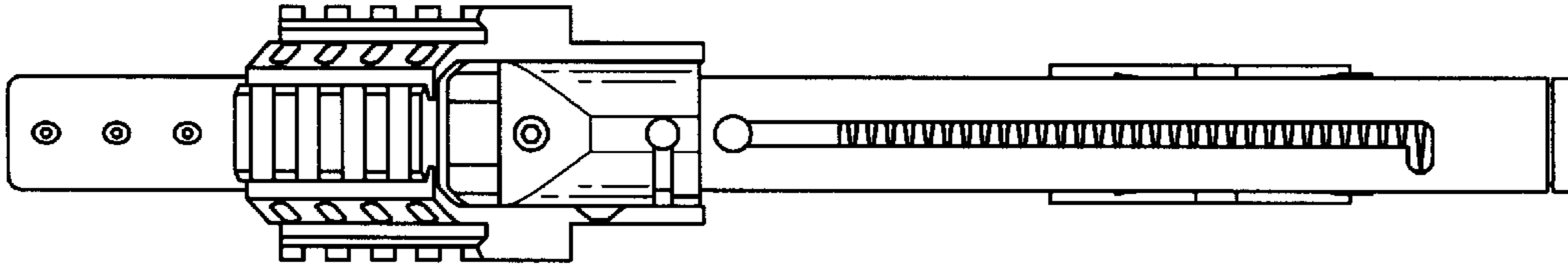


FIG. 6

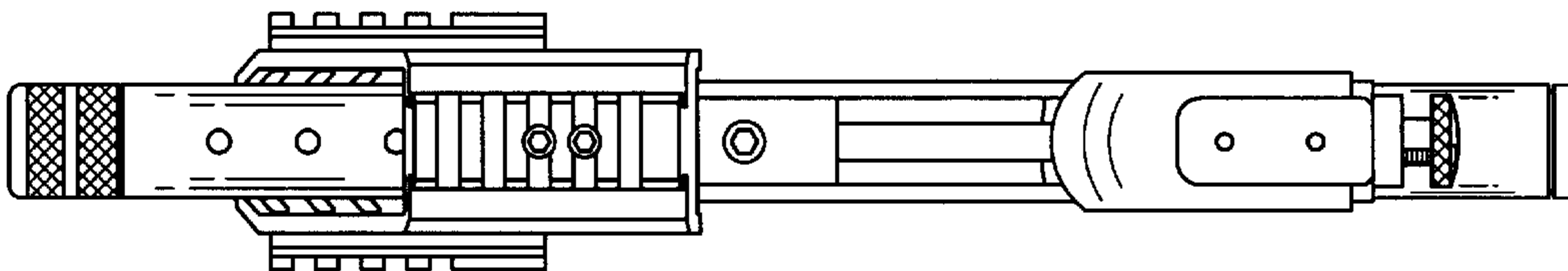


FIG. 7