

US00D532835S

(12) **United States Design Patent**  
**Suimon et al.**

(10) **Patent No.:** **US D532,835 S**

(45) **Date of Patent:** **\*\* Nov. 28, 2006**

(54) **CHASSIS FOR TOY VEHICLE**

(75) Inventors: **Yoshio Suimon**, Tokyo (JP); **Masaki Sono**, Tokyo (JP); **Kenji Nakayama**, Tokyo (JP)

(73) Assignee: **Tomy Company, Ltd.**, Tokyo (JP)

(\*\*) Term: **14 Years**

(21) Appl. No.: **29/232,498**

(22) Filed: **Jun. 21, 2005**

(30) **Foreign Application Priority Data**

Feb. 18, 2005 (JP) ..... 2005-004409

(51) **LOC (8) Cl.** ..... **21-01**

(52) **U.S. Cl.** ..... **D21/562**

(58) **Field of Classification Search** ..... D21/533,  
D21/538, 548, 549, 550, 551, 561, 562; 446/431,  
446/454, 455, 456, 465, 466, 469, 470  
See application file for complete search history.

(56) **References Cited**

**U.S. PATENT DOCUMENTS**

4,187,637 A \* 2/1980 Nielsen ..... 446/444  
D282,677 S \* 2/1986 Arigaya ..... D21/562

D309,903 S \* 8/1990 Jones et al. .... D15/17  
D332,978 S \* 2/1993 Tsuchiya ..... D21/562  
D332,979 S \* 2/1993 Tsuchiya ..... D21/562  
D403,023 S \* 12/1998 Araki ..... D21/562  
6,394,878 B1 \* 5/2002 Wang ..... 446/469  
6,582,275 B1 \* 6/2003 Lai ..... 446/465  
D521,572 S \* 5/2006 Yuen ..... D21/562  
D524,880 S \* 7/2006 Yuen ..... D21/562

\* cited by examiner

*Primary Examiner*—Philip S. Hyder

(74) *Attorney, Agent, or Firm*—Staas & Halsey LLP

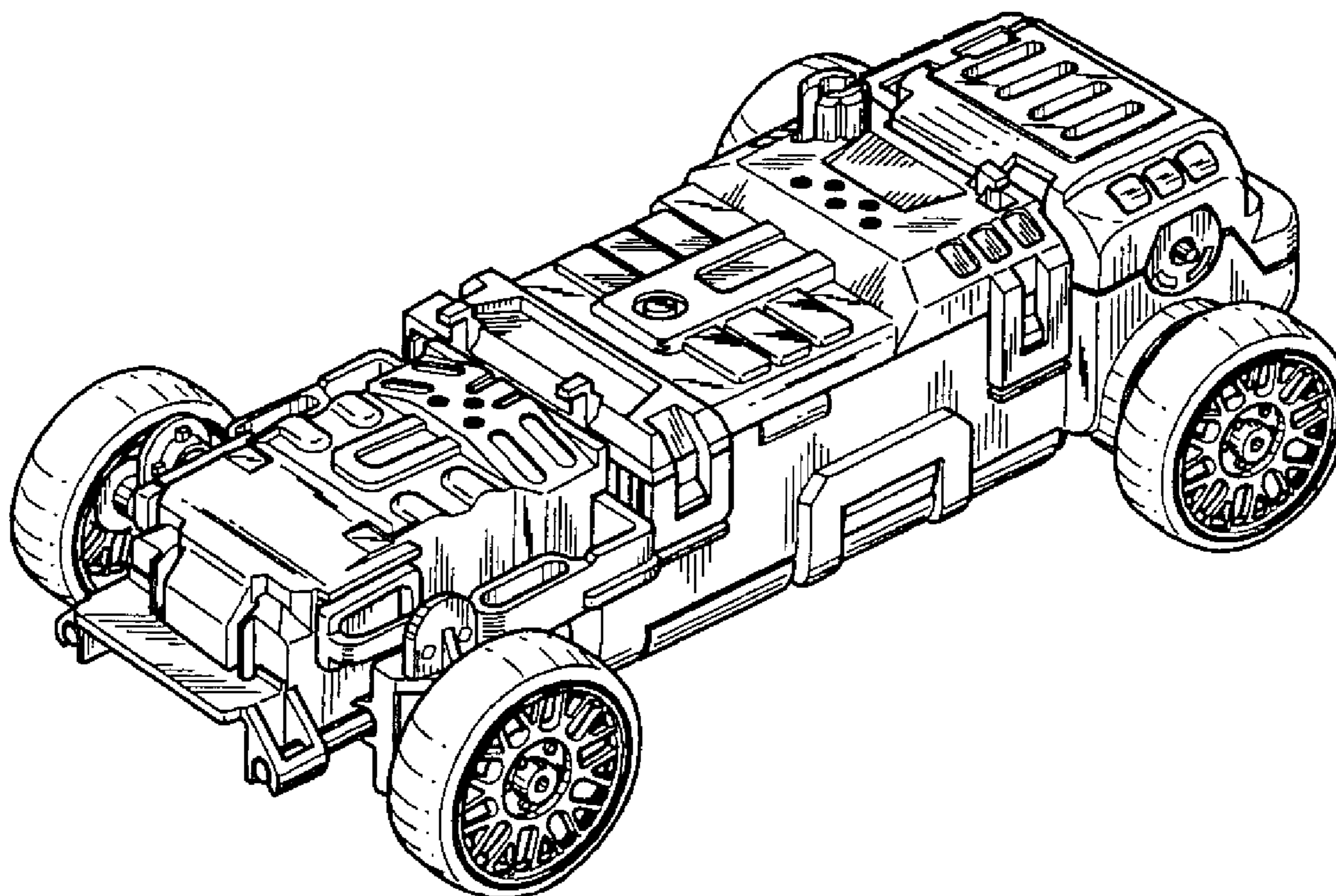
(57) **CLAIM**

The ornamental design for a chassis for toy vehicle, as shown.

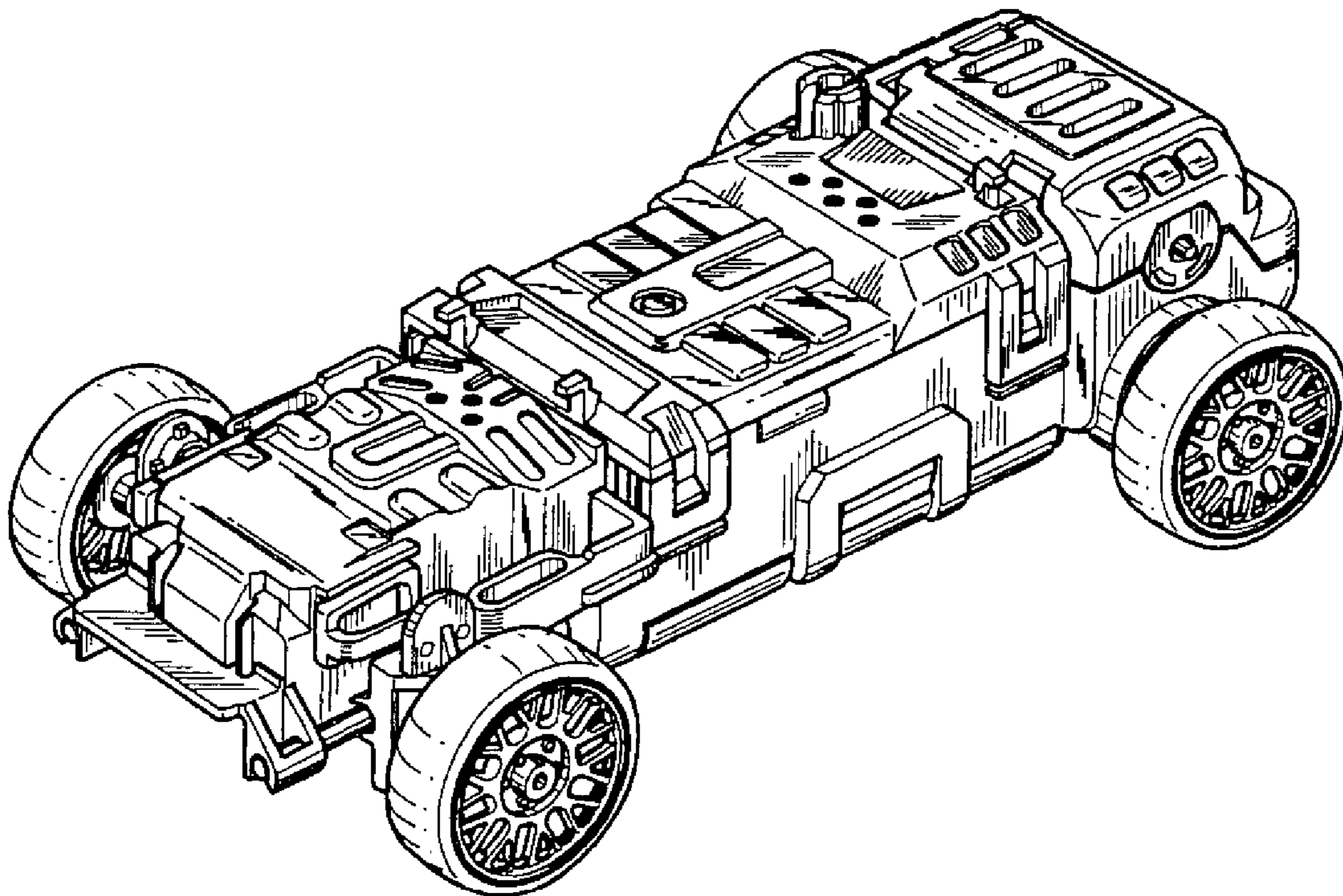
**DESCRIPTION**

FIG. 1 is a perspective view of the chassis for toy vehicle showing the new design;  
FIG. 2 is a front view thereof;  
FIG. 3 is a rear view thereof;  
FIG. 4 is a left side view thereof;  
FIG. 5 is a right side view thereof;  
FIG. 6 is a top view thereof; and,  
FIG. 7 is a bottom view thereof.

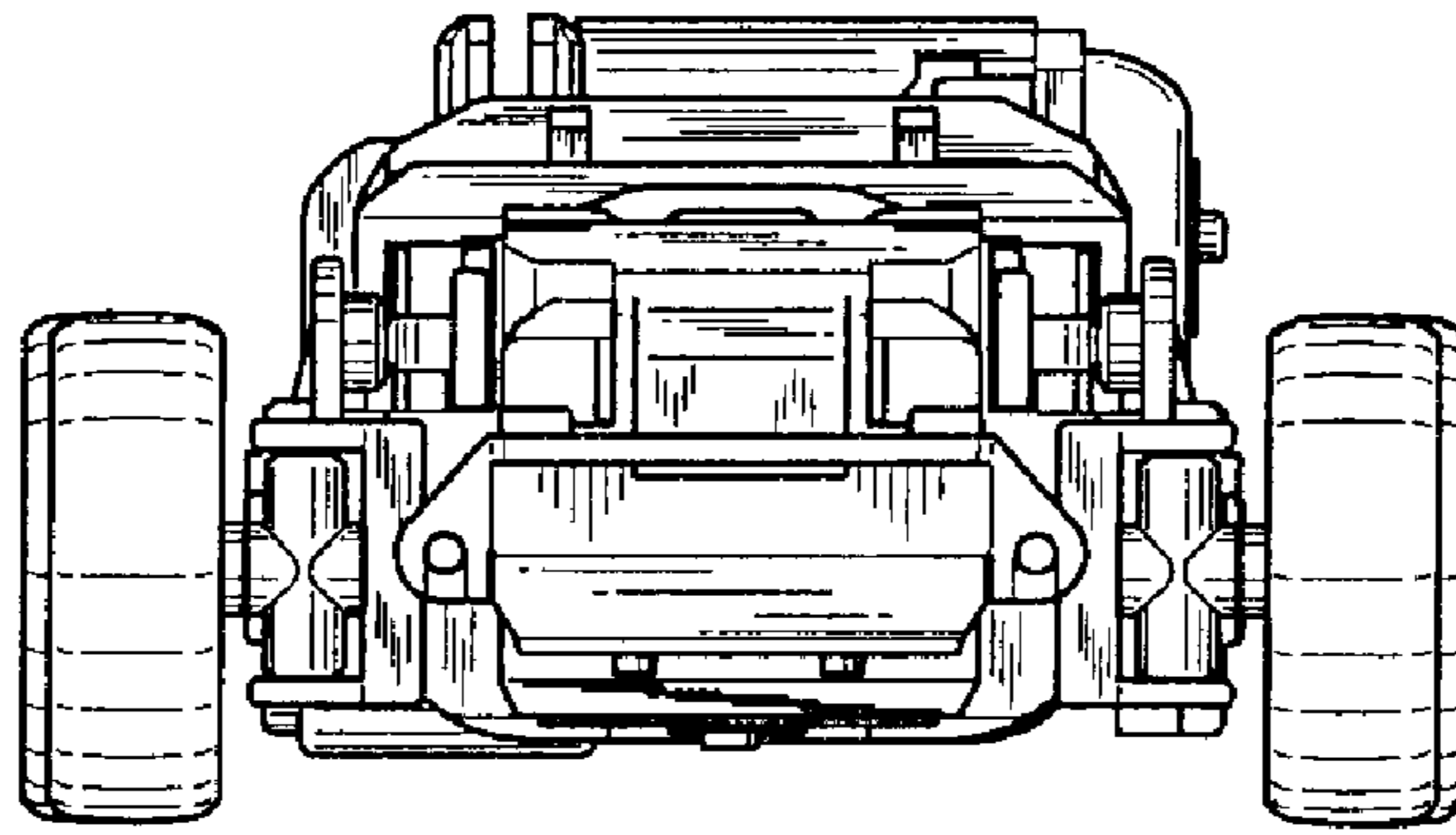
**1 Claim, 4 Drawing Sheets**



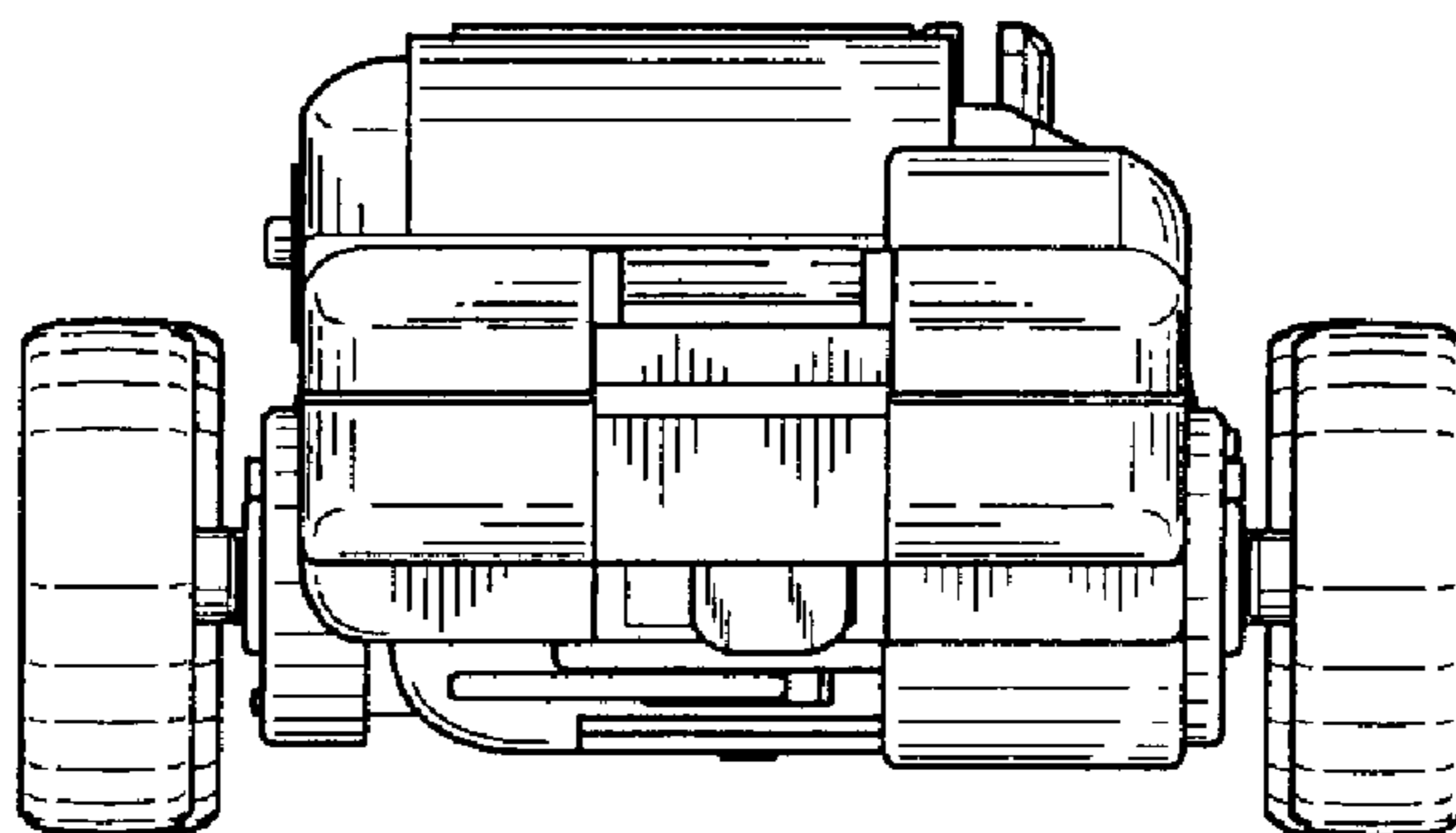
*FIG. 1*



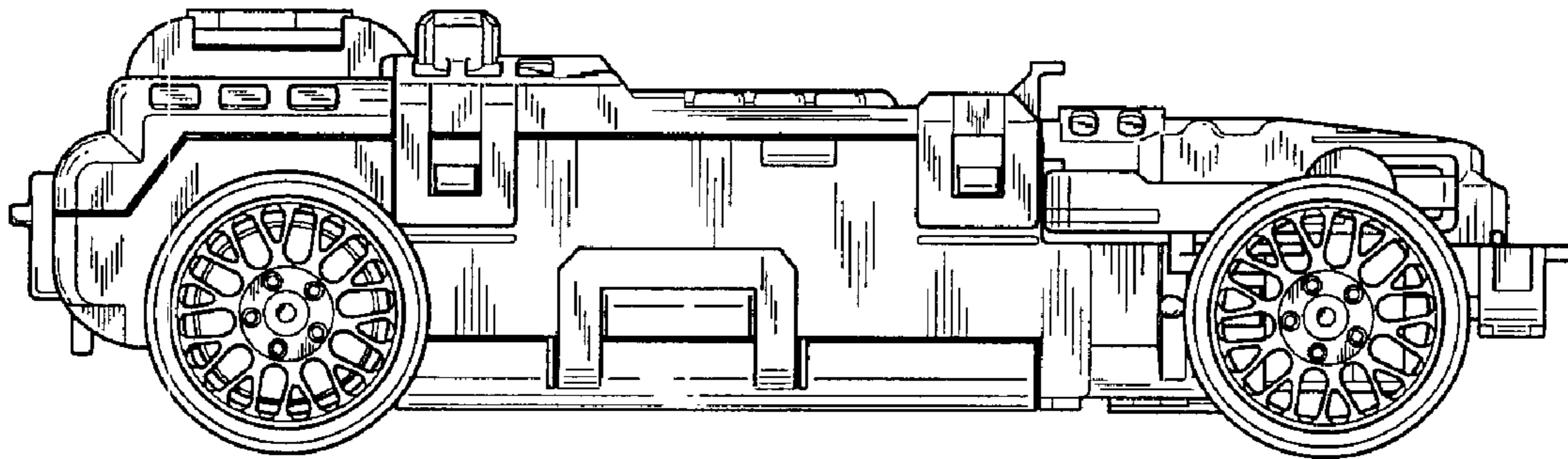
***FIG.2***



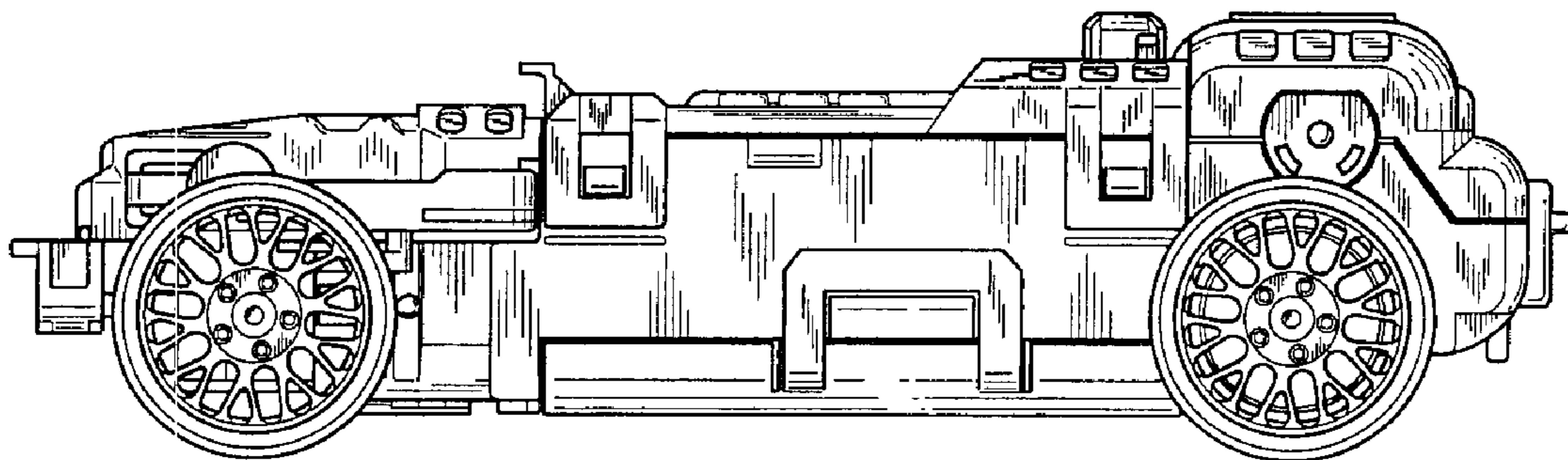
***FIG.3***



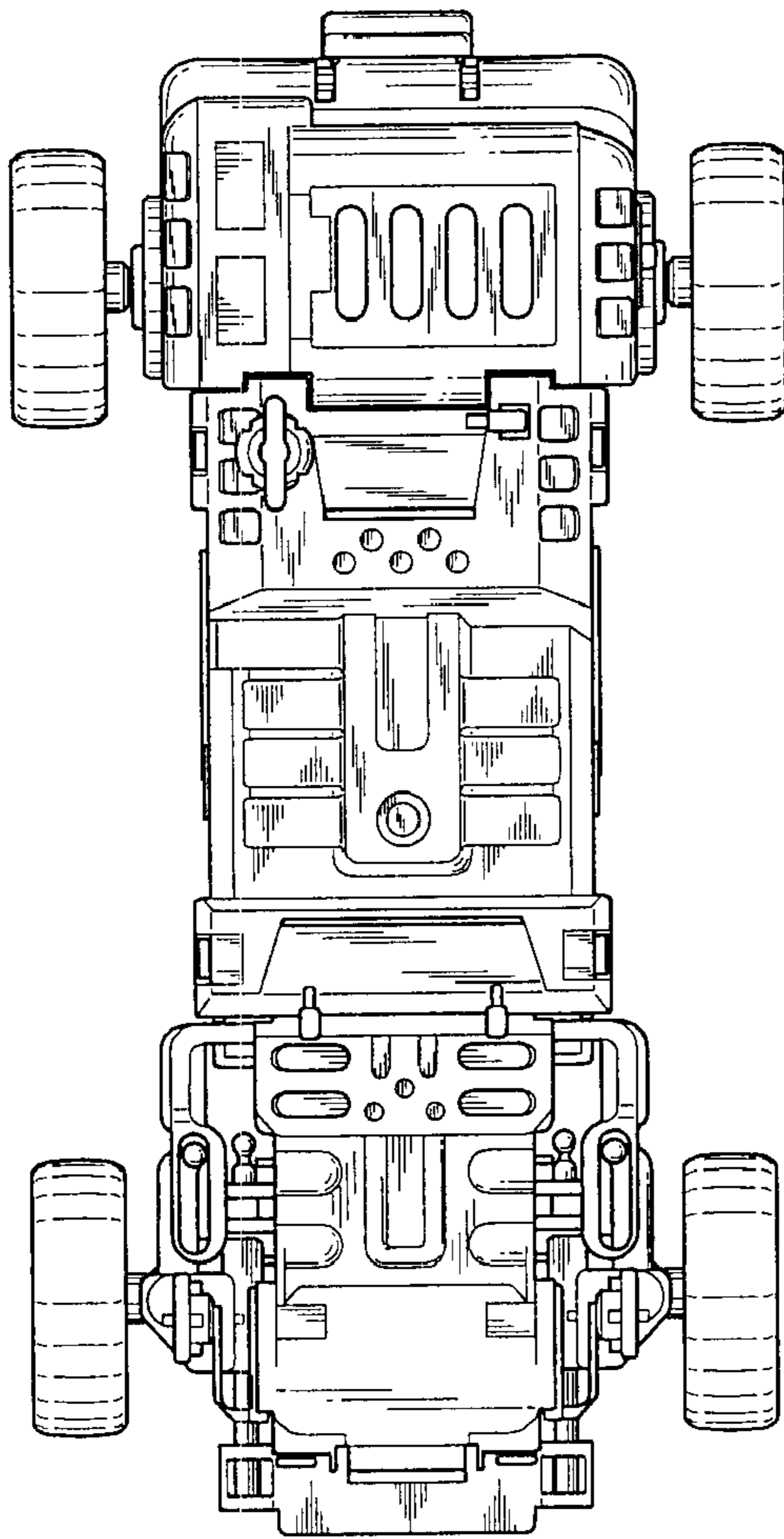
*FIG.4*



*FIG.5*



**FIG.6**



**FIG.7**

